



US00D736675S

(12) **United States Design Patent**  
**Cohen et al.**

(10) **Patent No.:** **US D736,675 S**  
(45) **Date of Patent:** **\*\* Aug. 18, 2015**

(54) **PROMOTIONAL VEHICLE**

180/89.16, 89.18, 89.19; 296/183.1,  
296/21, 24.3, 168; 40/591, 603

(71) Applicants: **Benjamin Cohen**, Brooklyn, NY (US);  
**David Hazan**, Brooklyn, NY (US)

See application file for complete search history.

(72) Inventors: **Benjamin Cohen**, Brooklyn, NY (US);  
**David Hazan**, Brooklyn, NY (US)

(56) **References Cited**

(73) Assignee: **Bobcar Media, LLC**, New York, NY  
(US)

U.S. PATENT DOCUMENTS

(\*\*) Term: **14 Years**

5,507,109	A *	4/1996	Rinzler	40/603
5,918,924	A *	7/1999	Cowan	296/21
5,950,173	A *	9/1999	Perkowski	705/27.1
6,036,250	A *	3/2000	Glatter	296/21
D426,493	S *	6/2000	Mertins et al.	D12/93
6,182,795	B1 *	2/2001	Boerer	186/52
D466,637	S *	12/2002	Gisser	D26/45
6,585,305	B2 *	7/2003	Nazginov et al.	296/21
7,444,773	B2 *	11/2008	Kolodziejczak, Sr.	40/591
7,621,576	B2 *	11/2009	Cote	296/24.3
D614,999	S *	5/2010	Schneider	D12/93

(21) Appl. No.: **29/447,050**

(22) Filed: **Feb. 28, 2013**

(Continued)

**Related U.S. Application Data**

(63) Continuation of application No. 29/410,762, filed on Jan. 11, 2012, now Pat. No. Des. 678,823, which is a continuation of application No. 29/360,773, filed on Apr. 30, 2010, now Pat. No. Des. 652,353, which is a continuation-in-part of application No. 12/380,989, filed on Mar. 5, 2009, now Pat. No. 7,942,461, application No. 29/447,050, which is a continuation of application No. 13/533,276, filed on Jun. 26, 2012, now Pat. No. 8,690,215, which is a continuation-in-part of application No. 13/018,787, filed on Feb. 1, 2011, now Pat. No. 8,220,854, which is a continuation of application No. 12/380,989, filed on Mar. 5, 2009, now Pat. No. 7,942,461, and a continuation-in-part of application No. 29/364,594, filed on Jun. 25, 2010, now Pat. No. Des. 652,353, which is a continuation-in-part of application No. 29/360,773, filed on Apr. 30, 2010, now Pat. No. Des. 652,353, which is a continuation-in-part of application No. 12/380,989, filed on Mar. 5, 2009, now Pat. No. 7,942,461.

*Primary Examiner* — Melody N Brown

(74) *Attorney, Agent, or Firm* — Goldberg Cohen LLP

(51) **LOC (10) Cl.** ..... **12-08**

(52) **U.S. Cl.**  
USPC ..... **D12/93**

(57) **CLAIM**

We claim the ornamental design for a promotional vehicle, as shown and described.

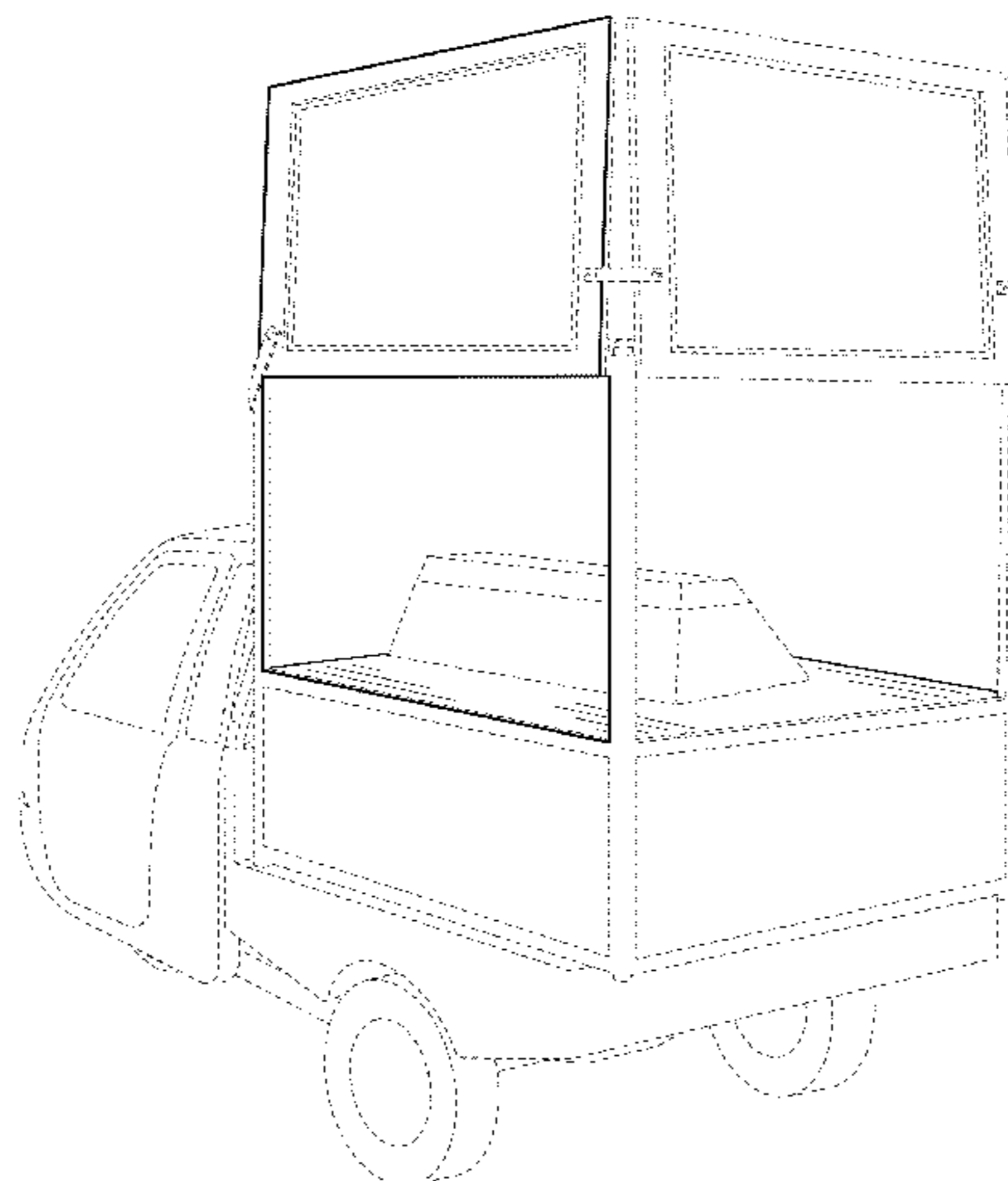
(58) **Field of Classification Search**  
USPC ..... D12/93, 96, 97, 99; D21/424, 434, 581;

**DESCRIPTION**

FIG. 1 is a perspective view of the promotional vehicle of the present invention having panels in an open position; FIG. 2 is a front view of the promotional vehicle, having panels in an open position; FIG. 3 is a rear view of the promotional vehicle, having panels in an open position; FIG. 4 is a left side view of the promotional vehicle, having panels in an open position; FIG. 5 is a right side view of the promotional vehicle, having panels in an open position; and, FIG. 6 is a top view of the promotional vehicle, having panels in an open position.

The broken lines shown throughout the drawings views are for environmental and illustrative purposes only that form no part of the claimed design.

**1 Claim, 5 Drawing Sheets**



# US D736,675 S

Page 2

---

(56)

## References Cited

### U.S. PATENT DOCUMENTS

				D653,594 S *	2/2012	Frank et al. ....	D12/176
				8,220,854 B2 *	7/2012	Cohen et al. ....	296/21
				D678,823 S *	3/2013	Cohen et al. ....	D12/93
7,942,461 B2 *	5/2011	Cohen et al. ....	296/21				
D652,353 S *	1/2012	Cohen et al. ....	D12/93				

\* cited by examiner

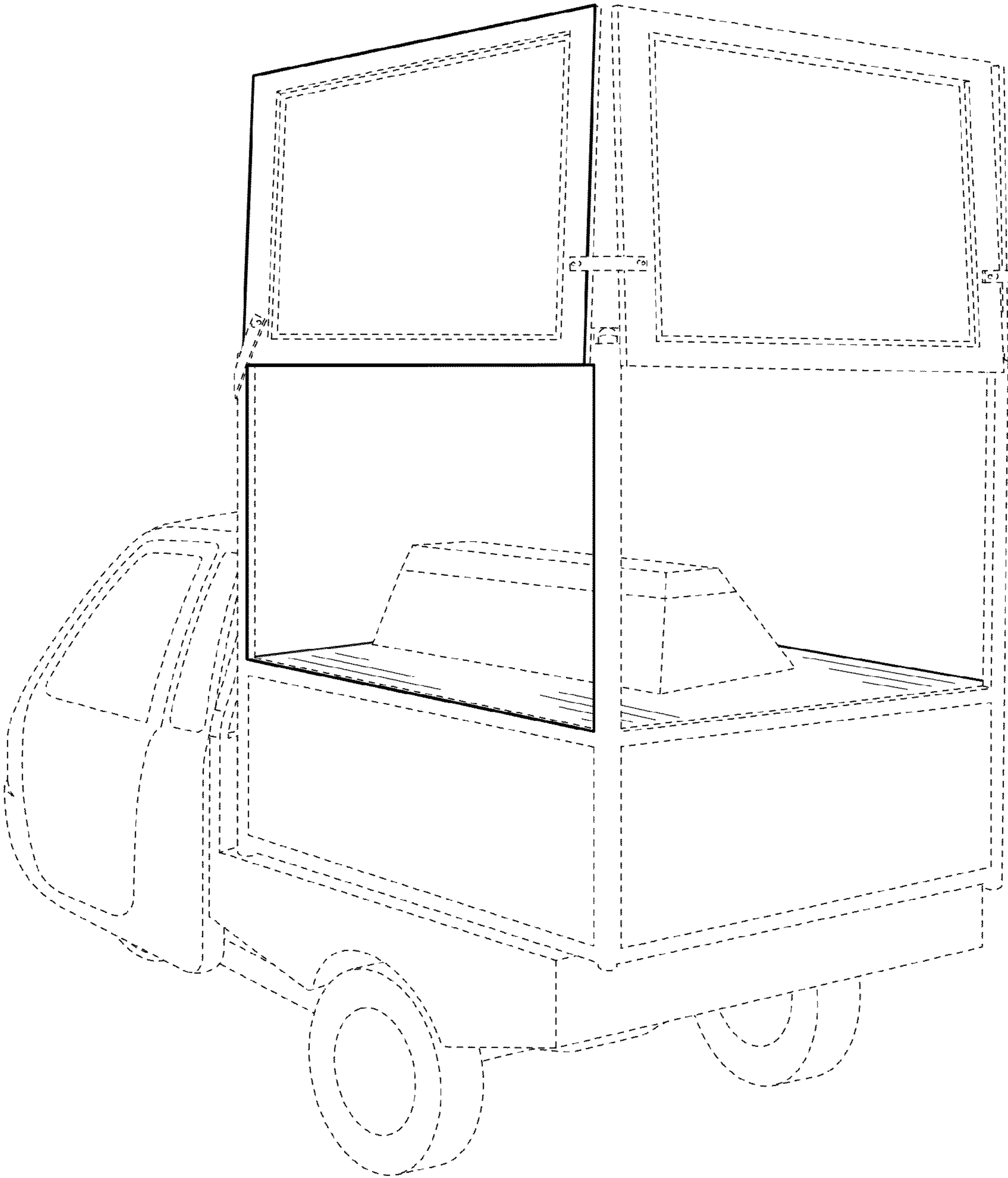


FIG. 1

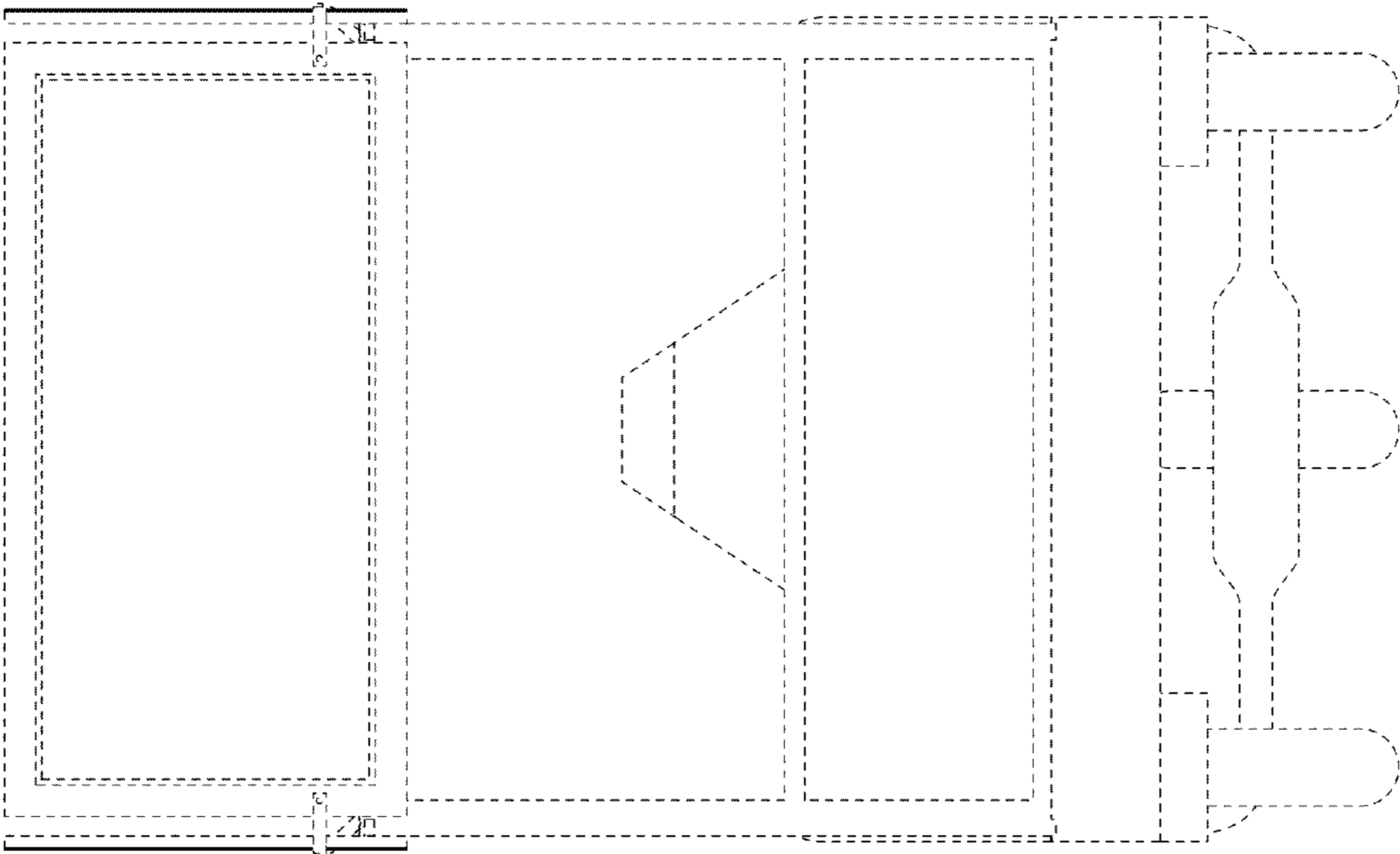


FIG. 3

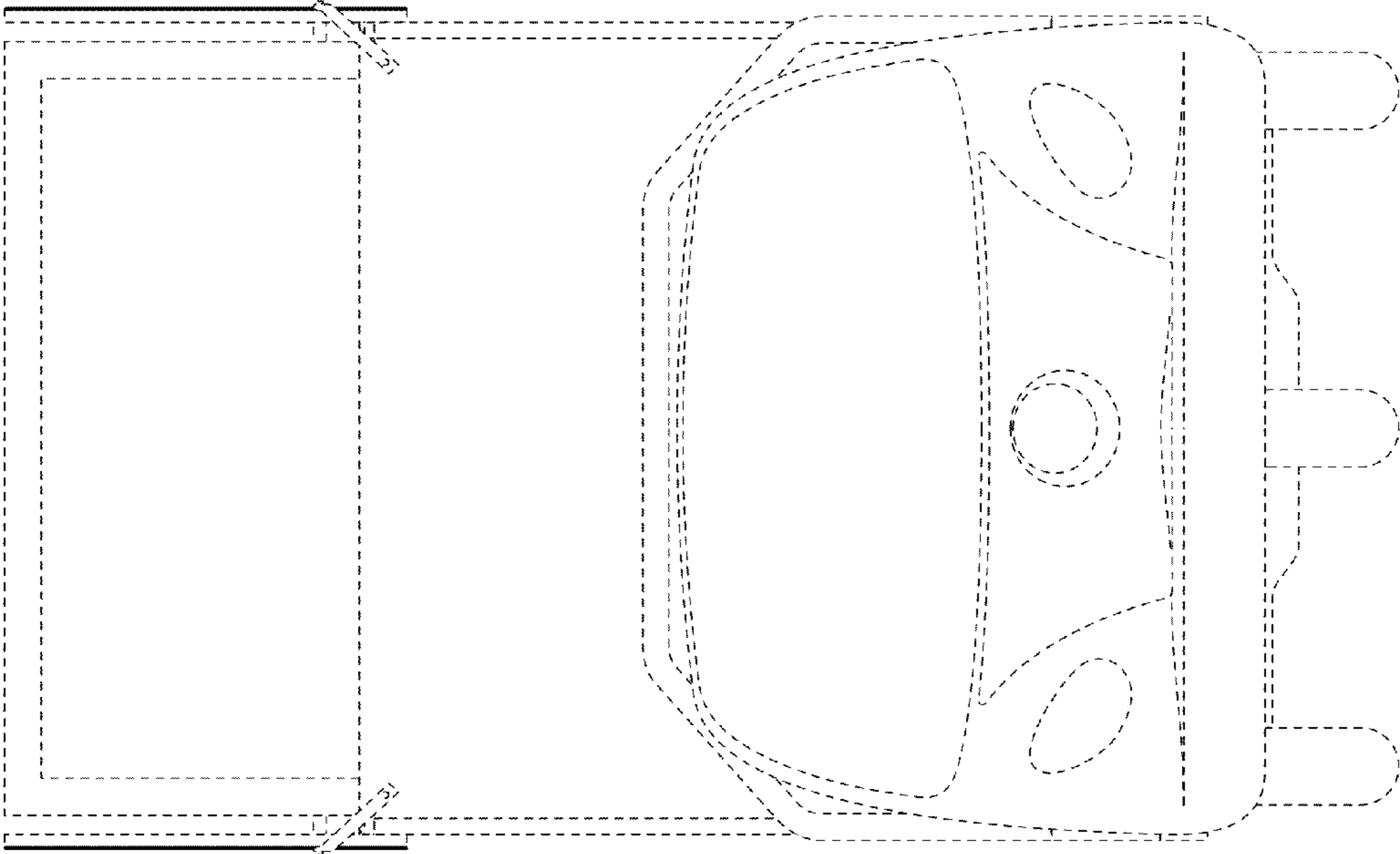


FIG. 2

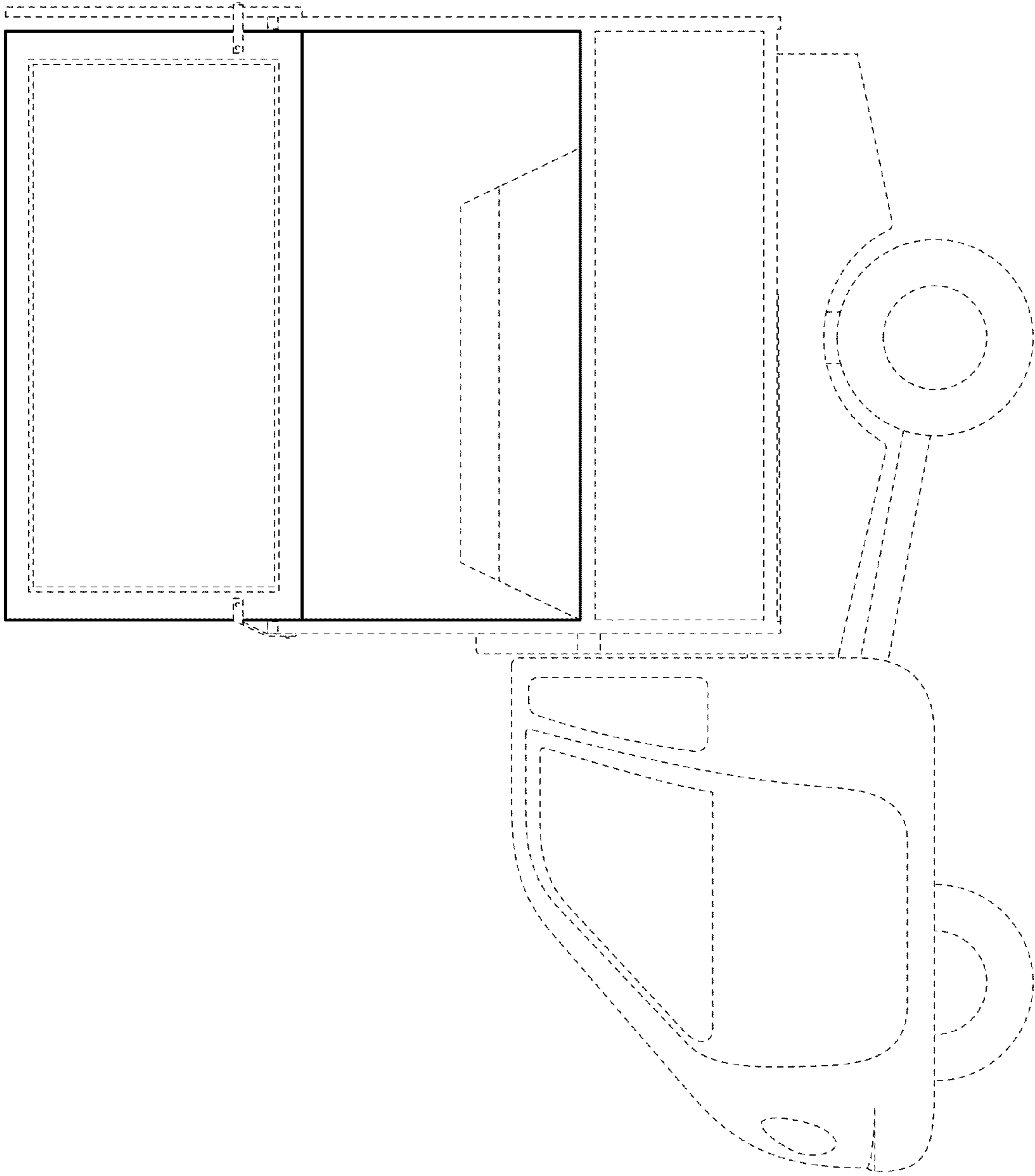


FIG. 4



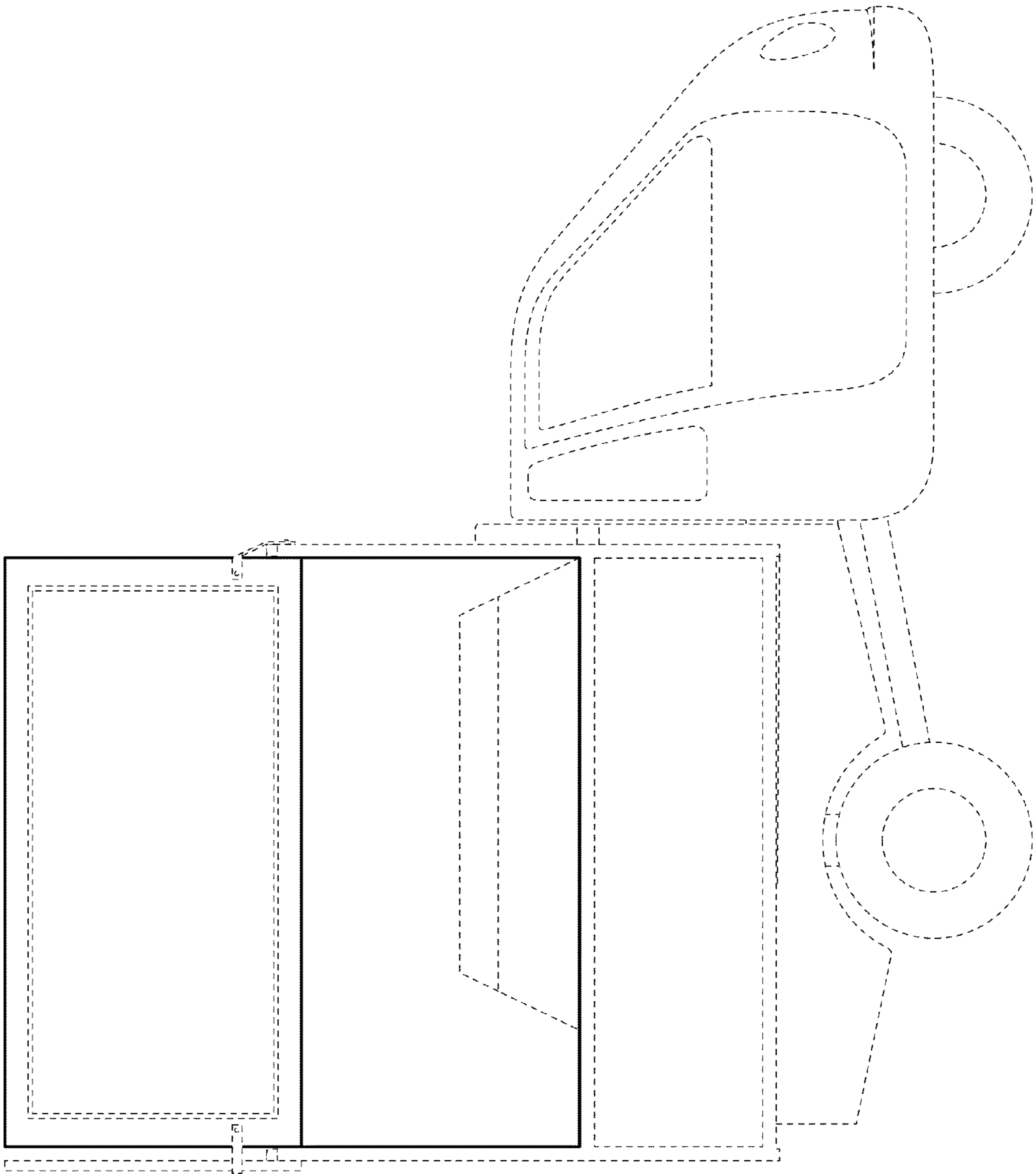


FIG. 5

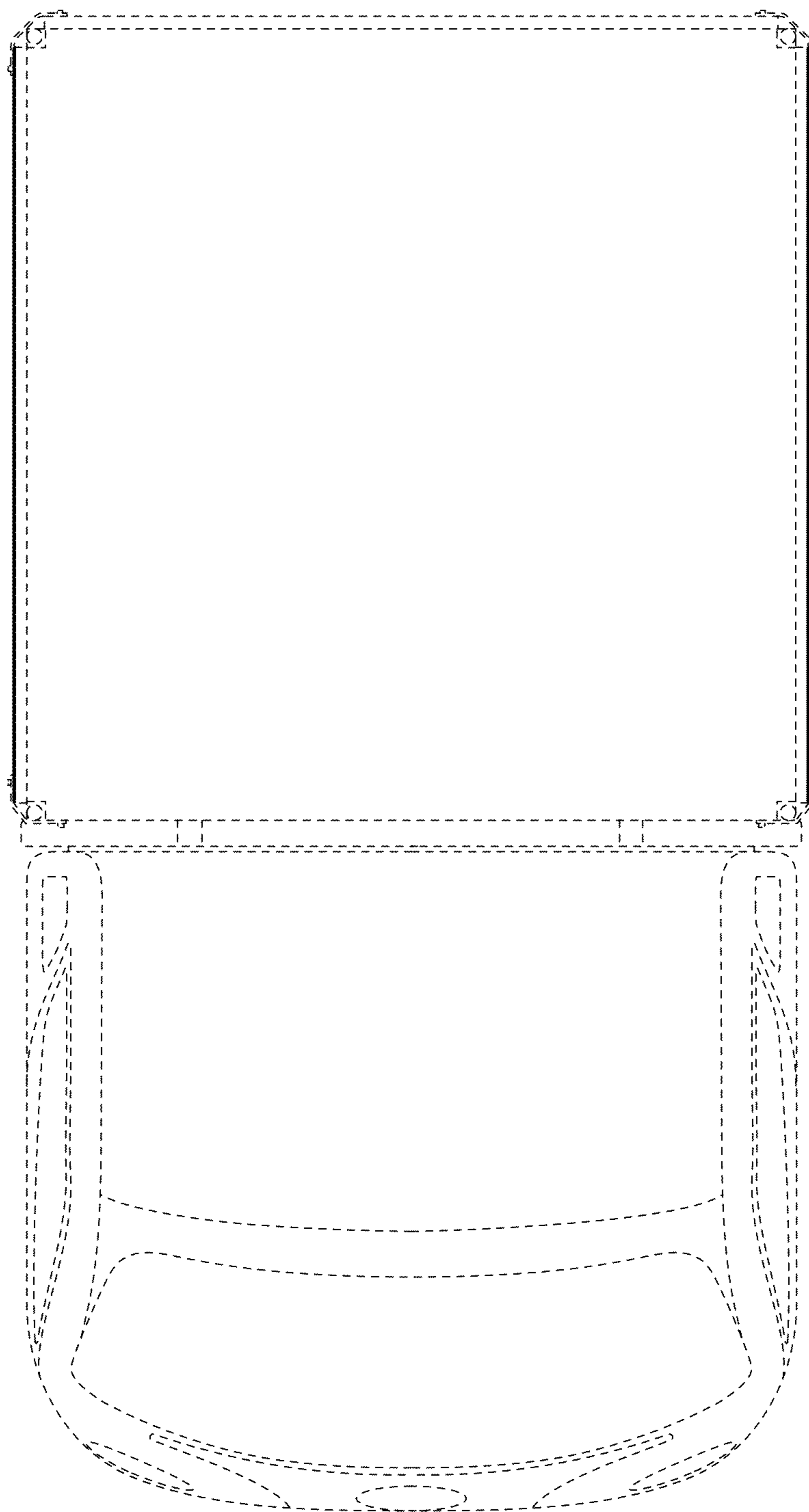


FIG. 6