

US00D736673S

(12) **United States Design Patent**
Hall et al.

(10) **Patent No.:** **US D736,673 S**

(45) **Date of Patent:** **** Aug. 18, 2015**

(54) **VEHICLE AND/OR VEHICLE REPLICA**

D705,700 S * 5/2014 Chen et al. D12/91
D710,758 S * 8/2014 Suzuki D12/86
D719,063 S * 12/2014 Ohashi D12/91

(71) Applicant: **HONDA MOTOR CO., LTD.**, Tokyo
(JP)

* cited by examiner

(72) Inventors: **Jarad Hall**, Rancho Palos Verdes, CA
(US); **Matthew Stevens**, Irvine, CA
(US)

Primary Examiner — Melody N Brown
(74) *Attorney, Agent, or Firm* — Westerman, Hattori,
Daniels & Adrian, LLP

(73) Assignee: **HONDA MOTOR CO., LTD.**, Tokyo
(JP)

(57) **CLAIM**
The ornamental design for a vehicle and/or vehicle replica, as
shown and described.

(**) Term: **14 Years**

DESCRIPTION

(21) Appl. No.: **29/479,070**

FIG. 1 is a first embodiment of a left front perspective view of
a vehicle and/or vehicle replica showing our new design;
FIG. 2 is a left rear perspective view thereof;
FIG. 3 is a front side elevational view thereof;
FIG. 4 is a rear side elevational view thereof;
FIG. 5 is a left side elevational view thereof;
FIG. 6 is a right side elevational view thereof;
FIG. 7 is a top plan view thereof;
FIG. 8 is a second embodiment of a left front perspective view
thereof;
FIG. 9 is a left rear perspective view thereof;
FIG. 10 is a front elevational view thereof;
FIG. 11 is a rear elevational view thereof;
FIG. 12 is a left side elevational view thereof;
FIG. 13 is a right side elevational view thereof; and,
FIG. 14 is a top plan view thereof.
The broken lines illustrate environmental structure only and
form no part of the claimed design.

(22) Filed: **Jan. 10, 2014**

(51) **LOC (10) Cl.** **12-08**

(52) **U.S. Cl.**
USPC **D12/92**

(58) **Field of Classification Search**
USPC D12/86, 90–92; D21/421, 433, 434;
296/181.1, 181.5
CPC B62D 35/00; B62D 25/00; B62D 25/06;
B62D 25/08; B62D 33/00
See application file for complete search history.

(56) **References Cited**

U.S. PATENT DOCUMENTS

D695,646 S * 12/2013 Uchino D12/92
D704,598 S * 5/2014 Mueller D12/92

1 Claim, 14 Drawing Sheets



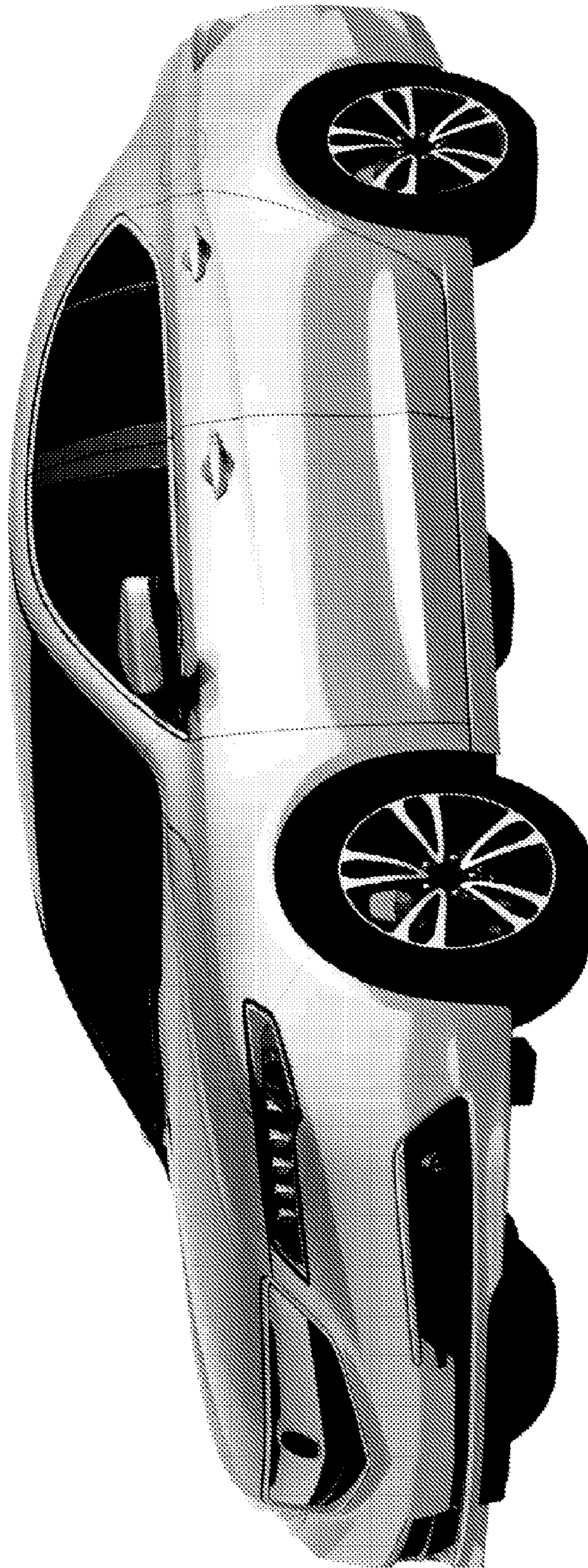


FIG. 1

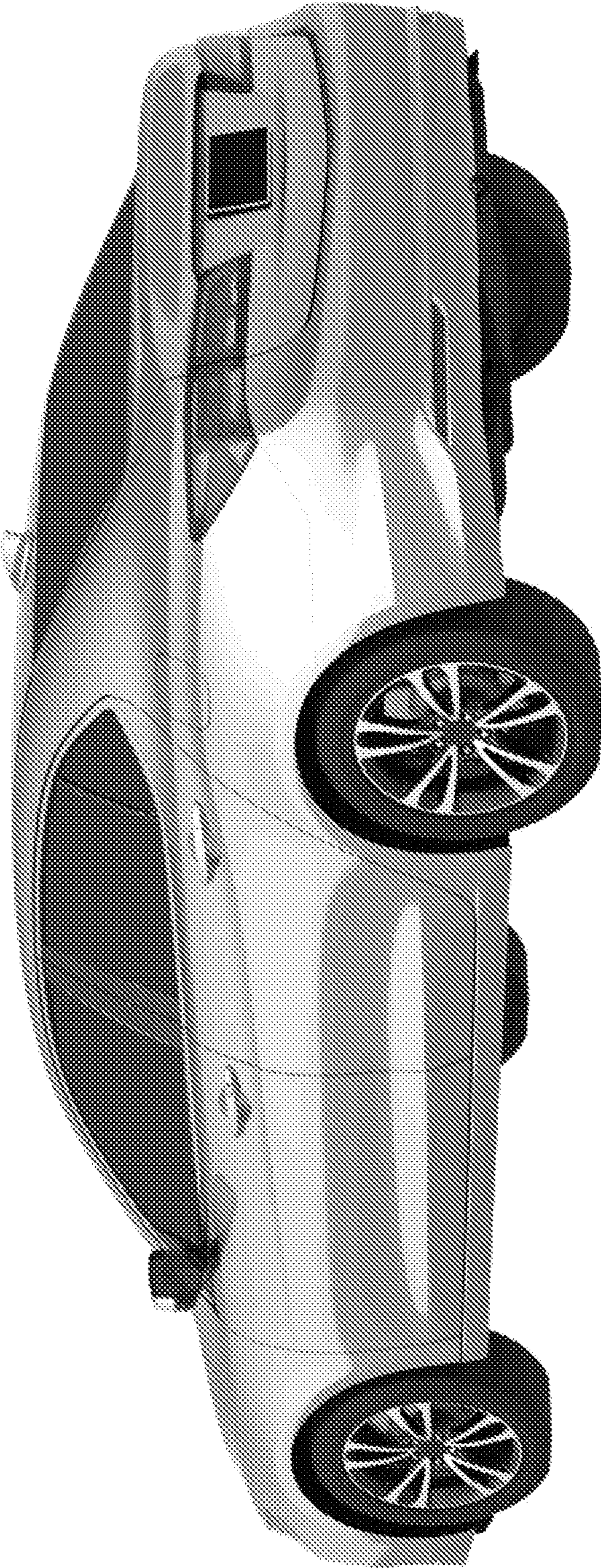


FIG. 2



FIG. 3

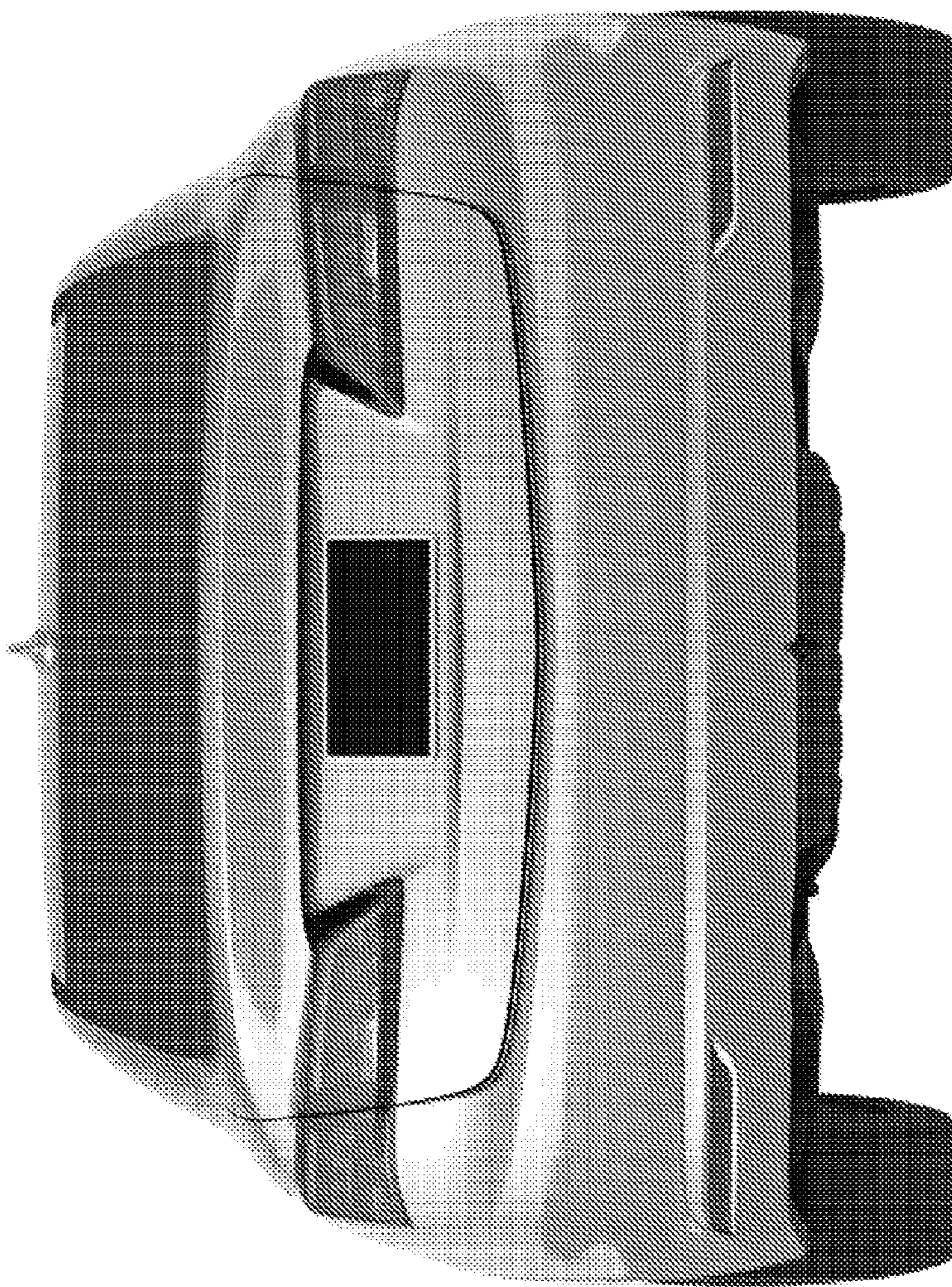


FIG. 4

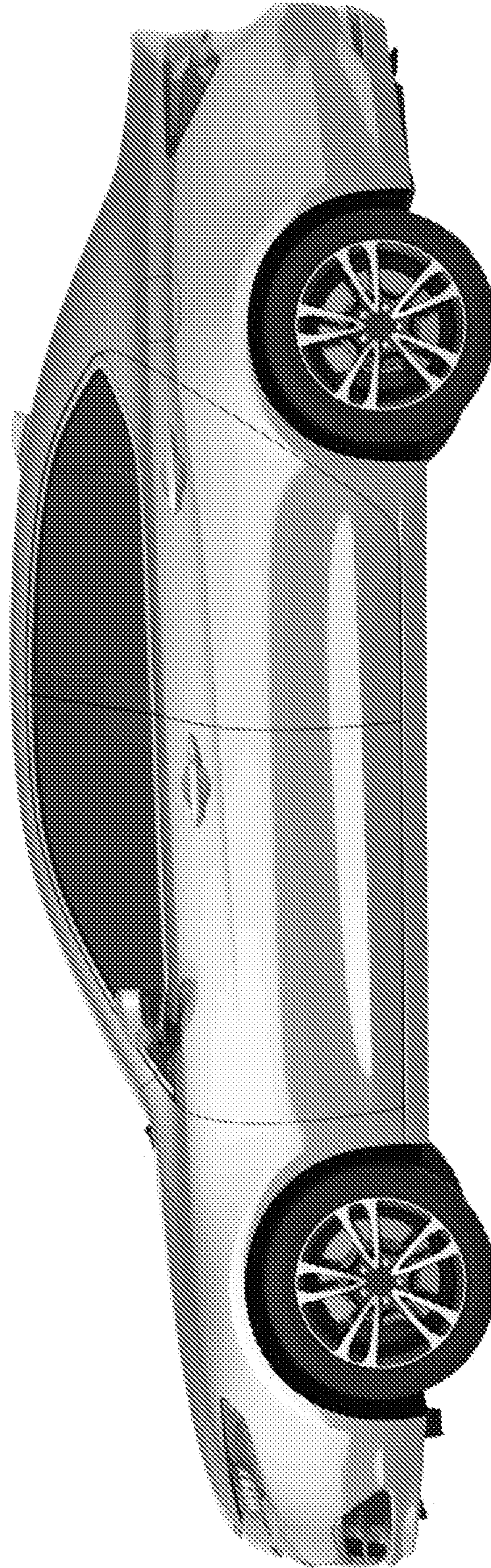


FIG. 5

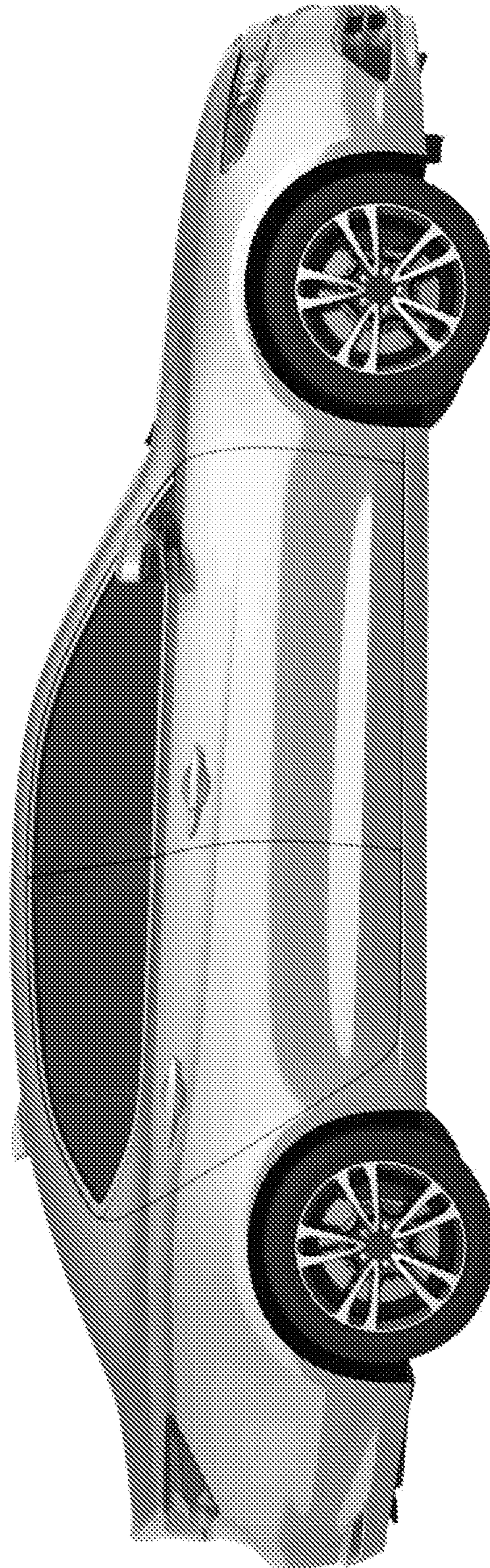


FIG. 6

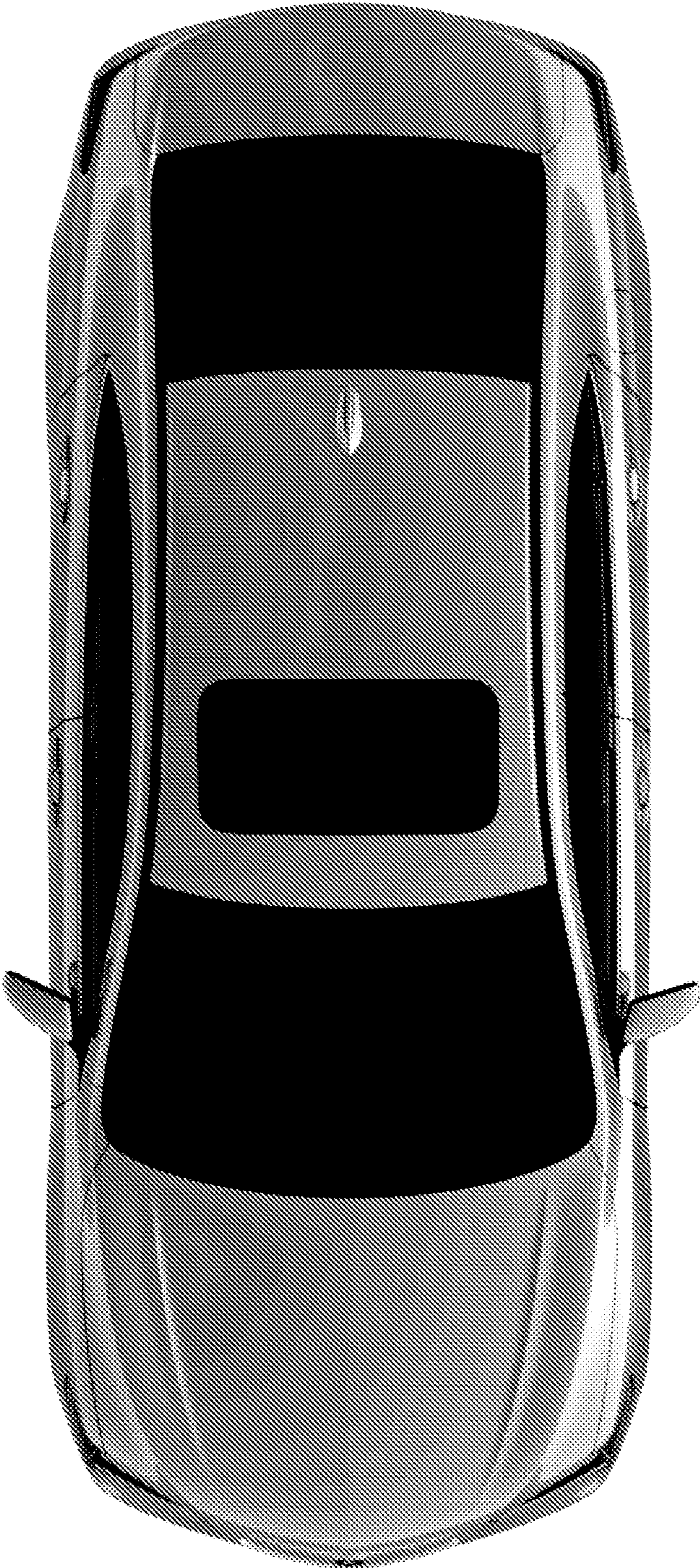


FIG. 7

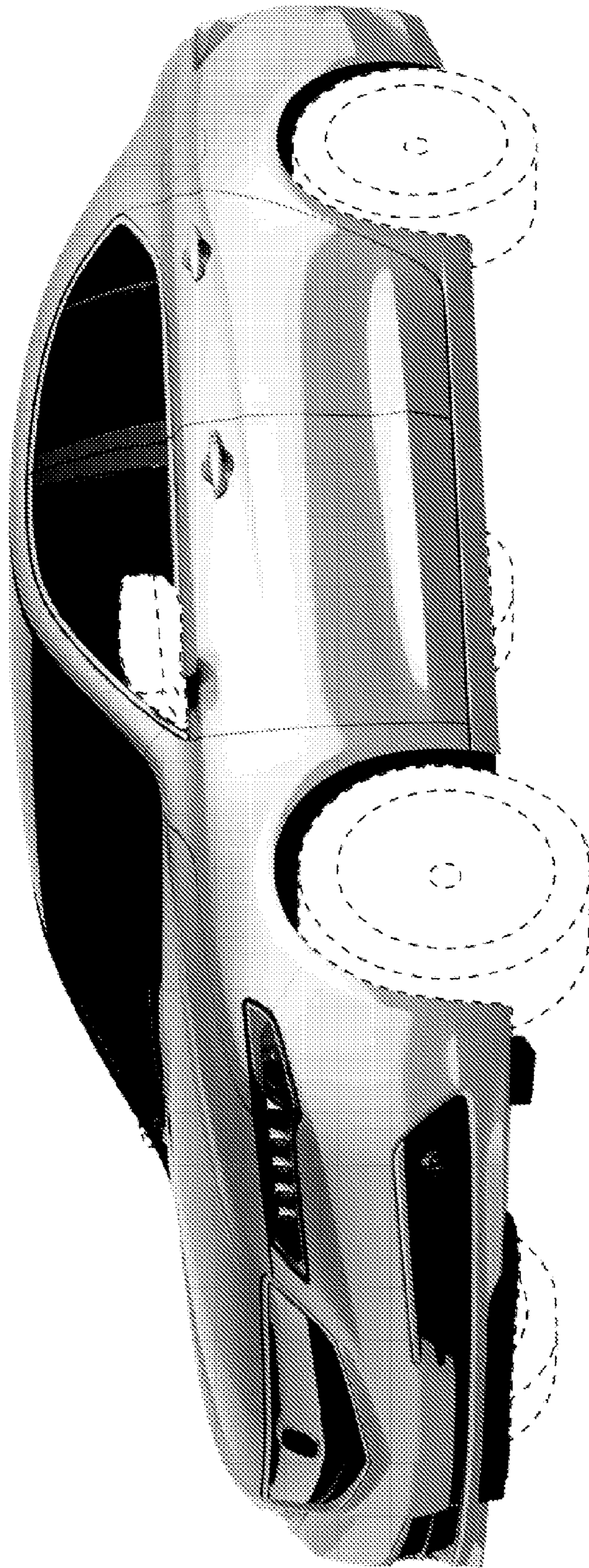


FIG. 8

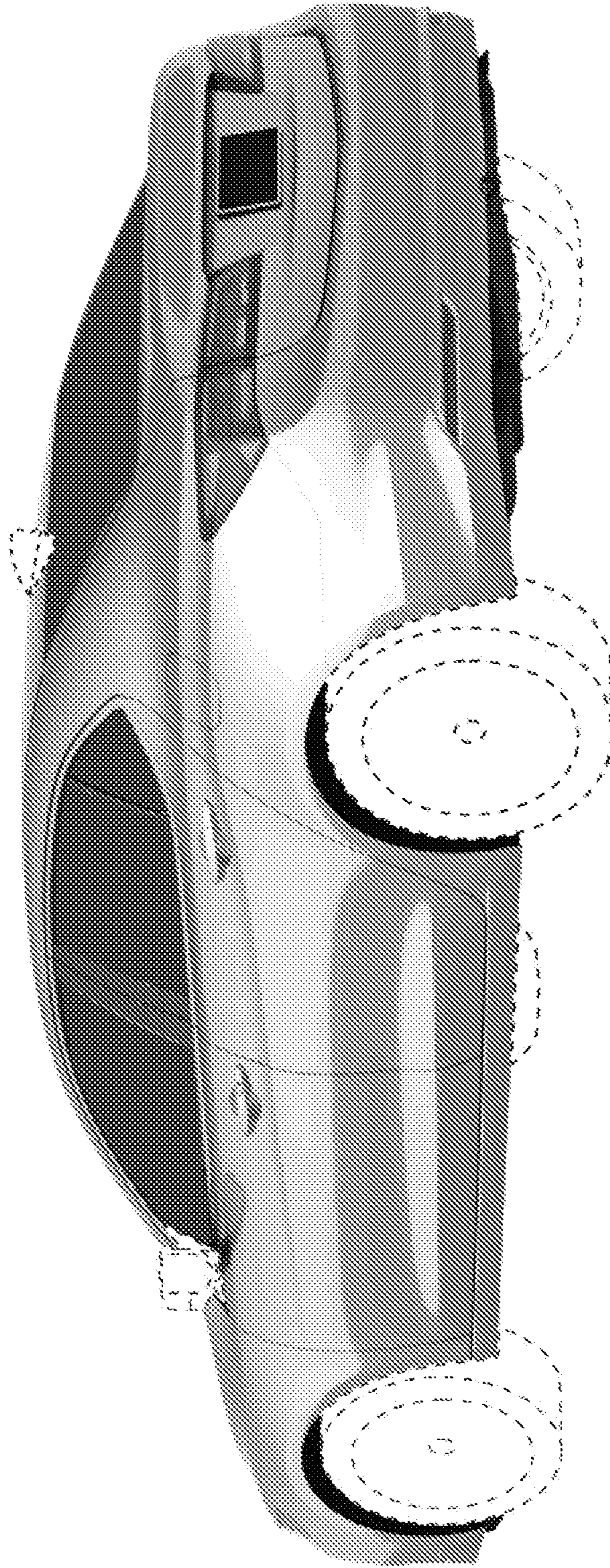


FIG. 9

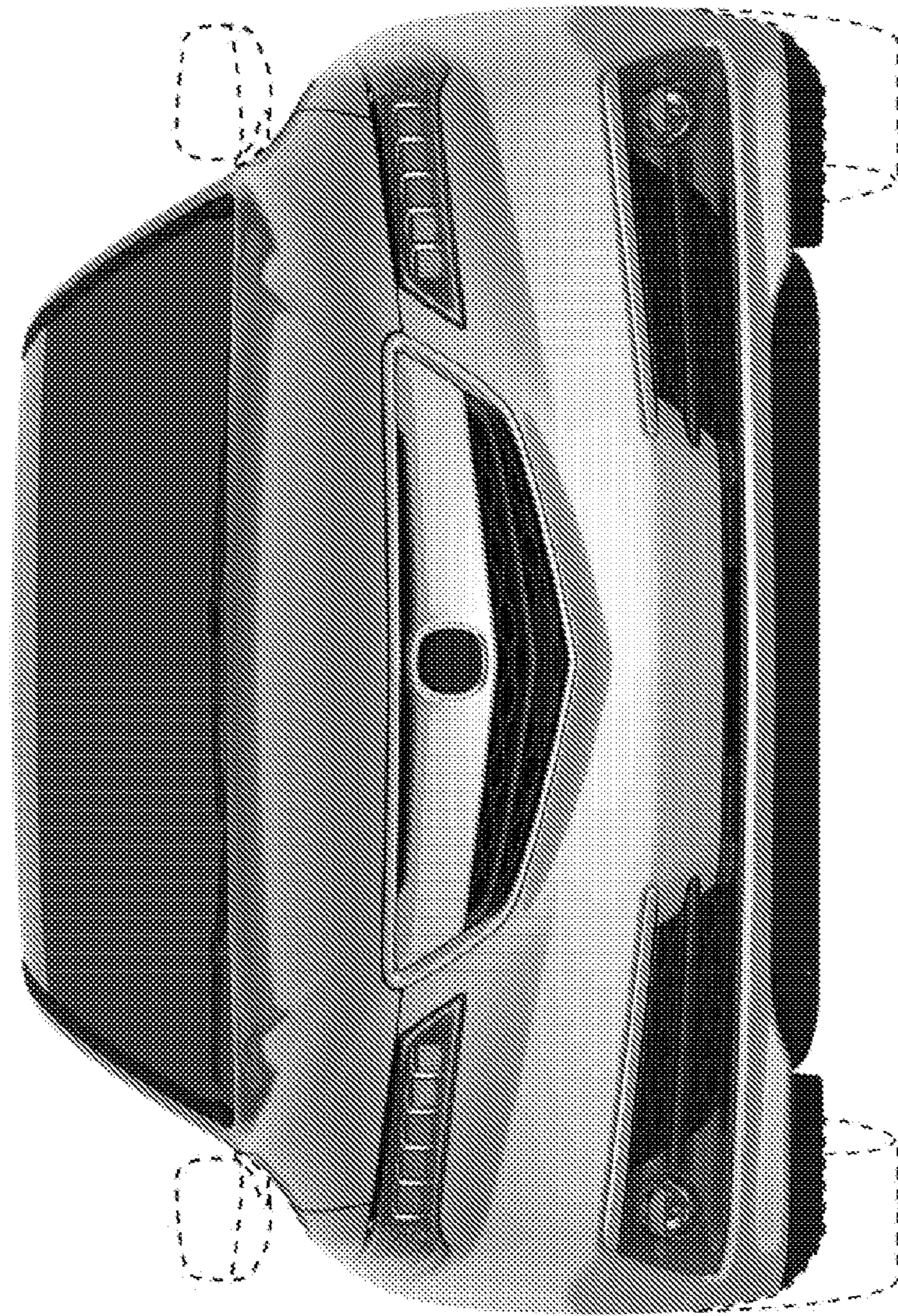


FIG. 10

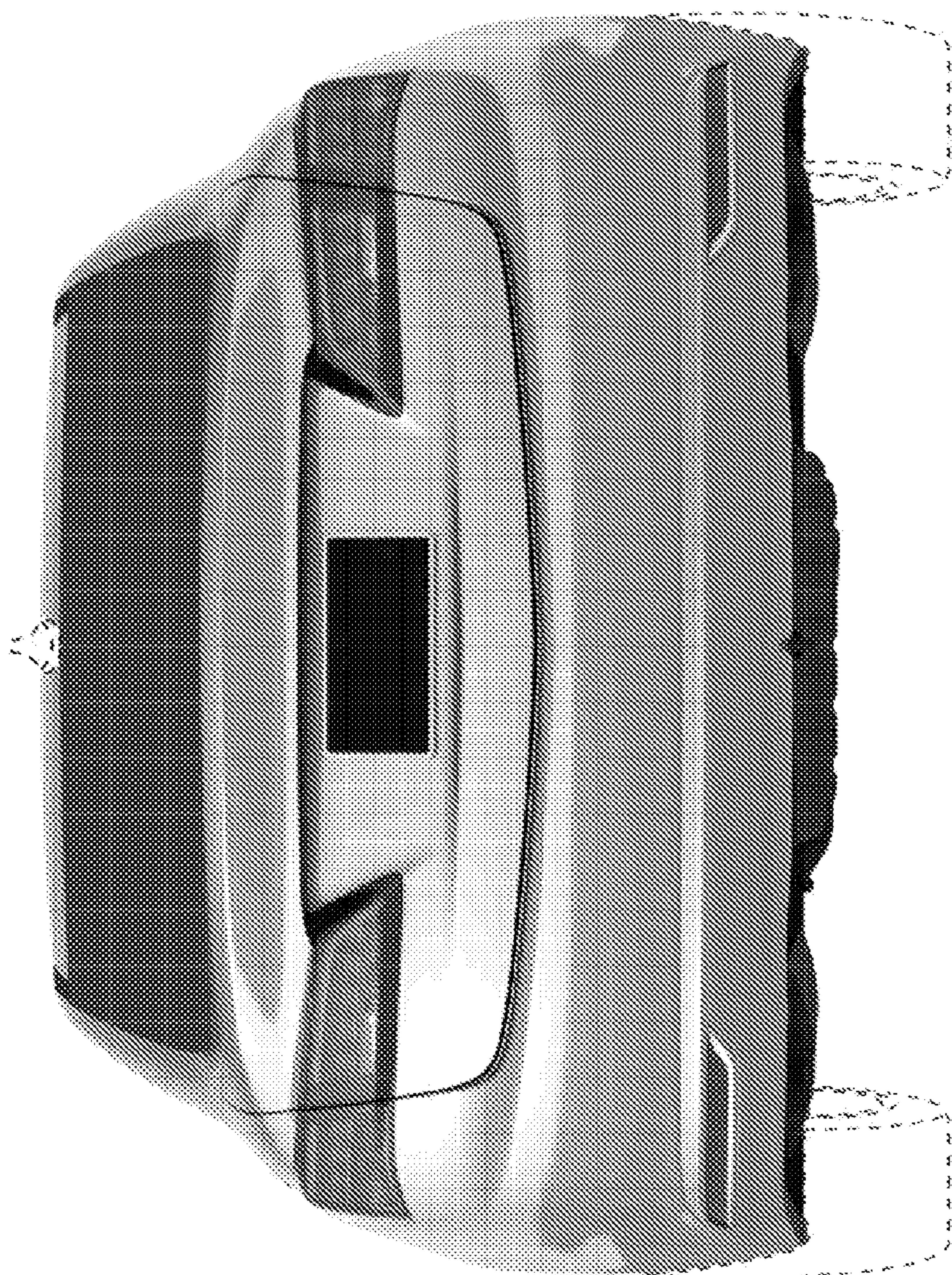


FIG. 11

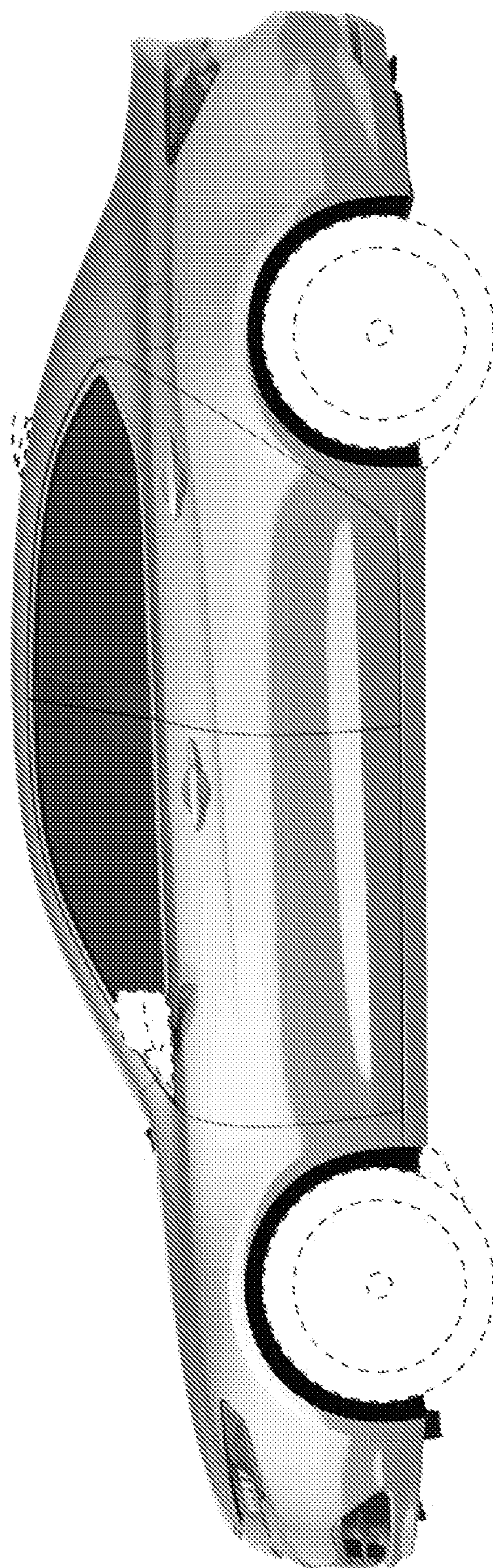


FIG. 12

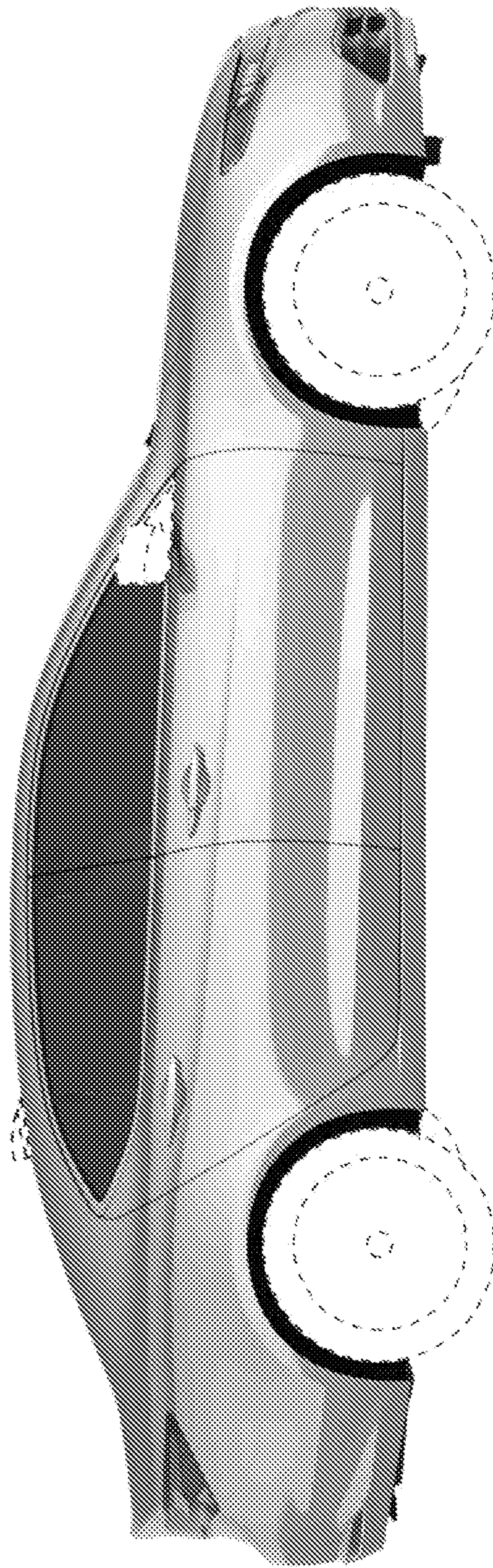


FIG. 13

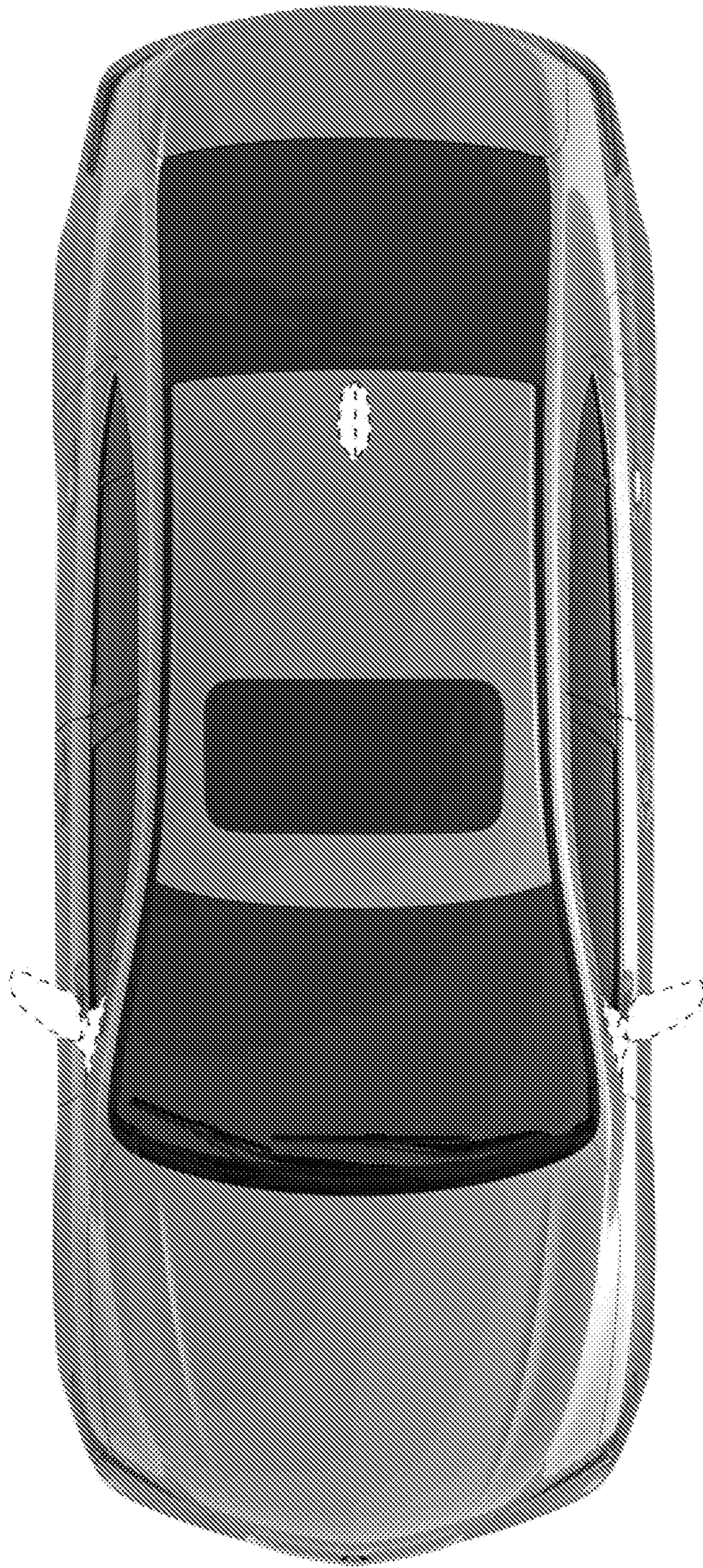


FIG. 14