



US00D736672S

(12) **United States Design Patent**
Lamberty

(10) **Patent No.:** **US D736,672 S**

(45) **Date of Patent:** **** Aug. 18, 2015**

(54) **VEHICLE**

(71) Applicant: **AUDI AG**, Ingolstadt (DE)

(72) Inventor: **Frank Lamberty**, Ingolstadt (DE)

(73) Assignee: **AUDI AG**, Ingolstadt (DE)

(**) Term: **14 Years**

(21) Appl. No.: **29/471,691**

(22) Filed: **Nov. 4, 2013**

Related U.S. Application Data

(62) Division of application No. 29/439,446, filed on Dec. 11, 2012.

(30) **Foreign Application Priority Data**

Jun. 11, 2012 (EM) 002055095.0001
Jun. 11, 2012 (EM) 002055178.0001
Jun. 11, 2012 (EM) 002055202.0001

(51) **LOC (10) Cl.** **12-08**

(52) **U.S. Cl.**
USPC **D12/92**

(58) **Field of Classification Search**
USPC D12/86, 88, 90, 91, 92; D21/424, 433,
D21/434; 296/181.1, 181.5
See application file for complete search history.

(56) **References Cited**

U.S. PATENT DOCUMENTS

D178,718 S * 9/1956 Barnhart D12/92
D212,152 S * 9/1968 Haga D12/92
D341,339 S * 11/1993 Sato D12/92
D651,135 S * 12/2011 Varga D12/92
D671,458 S * 11/2012 Lee et al. D12/92
D672,285 S * 12/2012 Jauch Paganetti et al. D12/92
D673,079 S * 12/2012 Goto et al. D12/92
D673,484 S * 1/2013 Robinson D12/92

D684,095 S * 6/2013 Beaven D12/92
D685,293 S * 7/2013 Badstuebner et al. D12/92
D689,400 S * 9/2013 Kobayashi et al. D12/92
D692,348 S * 10/2013 Whelan D12/92
D692,800 S * 11/2013 Wiltshire D12/92

OTHER PUBLICATIONS

2012 Audi R8 GT. Electronic Brochure. Apr. 21, 2011 [online],
[retrieved on Nov. 26, 2013]. Retrieved from the Internet <URL:
http://www.auto-brochures.com/makes/Audi/R8/Audi_US%20R8_2012.pdf>.*

(Continued)

Primary Examiner — Philip S Hyder

Assistant Examiner — Darlington Ly

(74) *Attorney, Agent, or Firm* — Lucas & Mercanti, LLP;
Klaus P. Stoffel

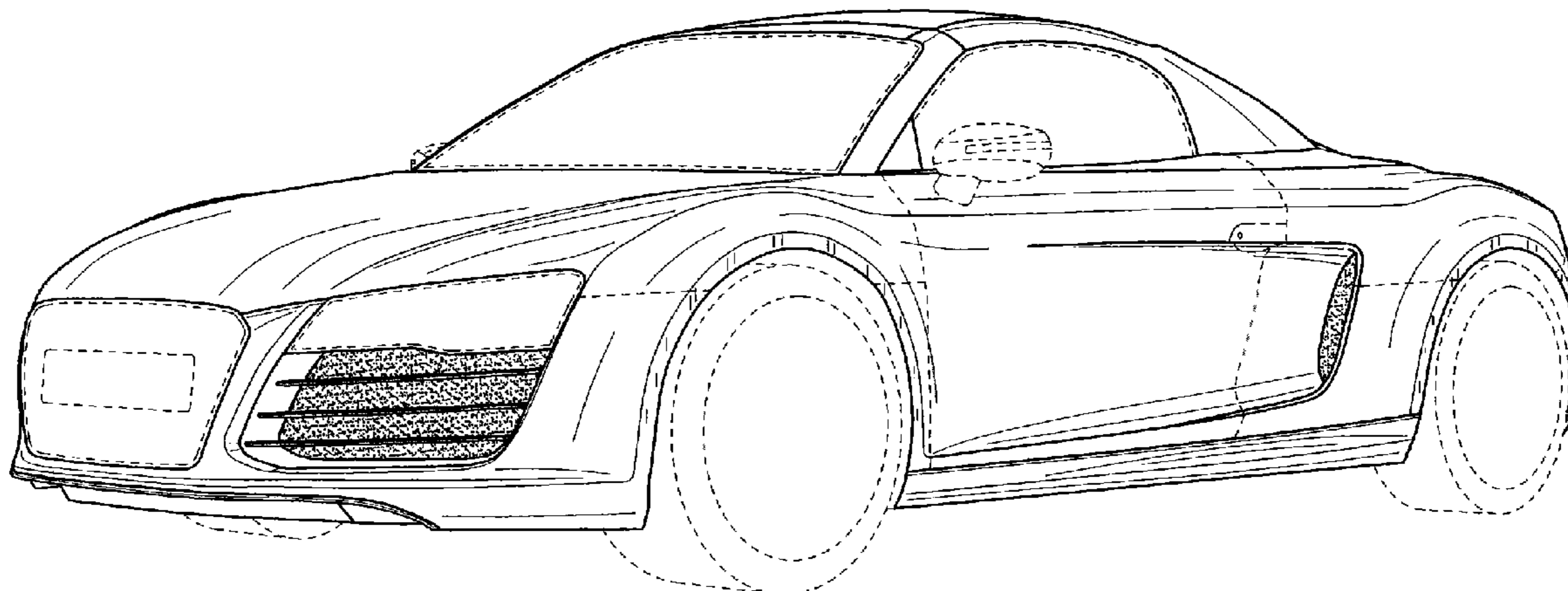
(57) **CLAIM**

The ornamental design for a vehicle, as shown and described.

DESCRIPTION

FIG. 1 is a front, right side perspective view of the vehicle of the present invention;
FIG. 2 is a front view thereof;
FIG. 3 is a rear view thereof;
FIG. 4 is a right side view thereof;
FIG. 5 is a left side view thereof; and
FIG. 6 is a top view thereof.
FIG. 7 is a front, right side perspective view of the vehicle of the present invention with the convertible top down;
FIG. 8 is a front view thereof;
FIG. 9 is a rear view thereof;
FIG. 10 is a right side view thereof;
FIG. 11 is a left side view thereof; and,
FIG. 12 is a top view thereof.
The features shown in dashed lines do not form part of the claimed invention.

1 Claim, 12 Drawing Sheets



(56)

References Cited

OTHER PUBLICATIONS

2012 Audi TT Coupe. TT Roadster. Electronic Brochure. Sep. 20, 2011 [online], [retrieved on Nov. 26, 2013]. Retrieved from the

Internet <URL: <http://www.auto-brochures.com/makes/Audi/TT/>

Audi_US%20TT_2012.pdf>.*

* cited by examiner

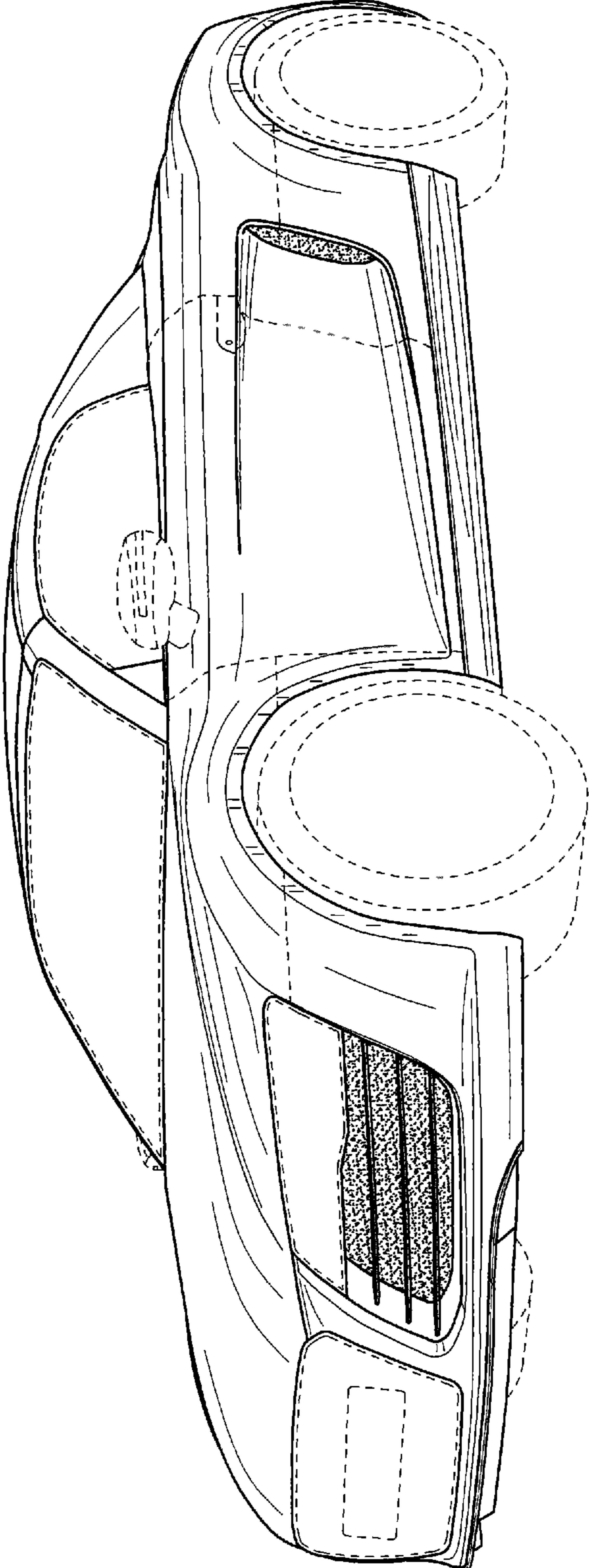


Fig. 1

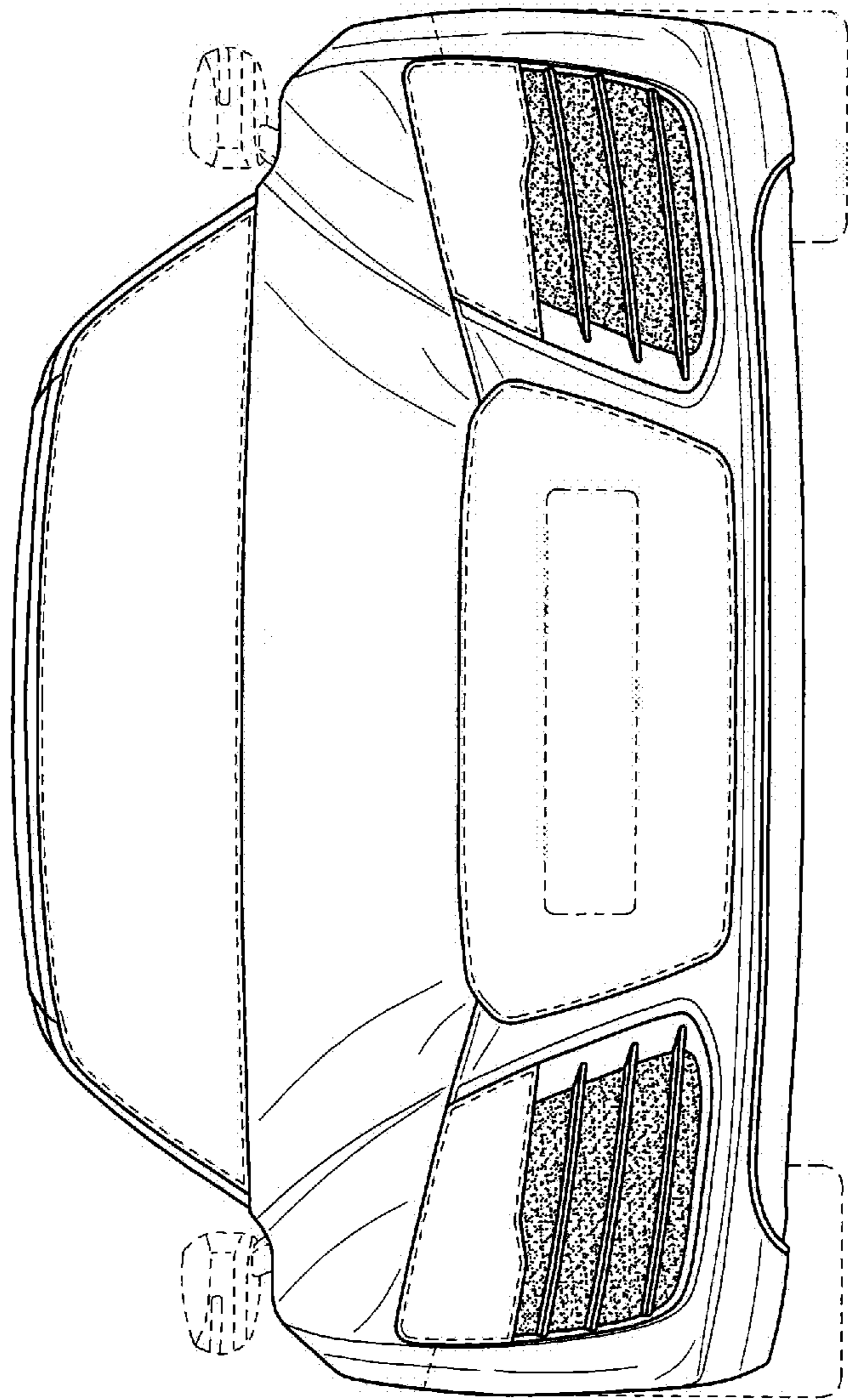


Fig. 2

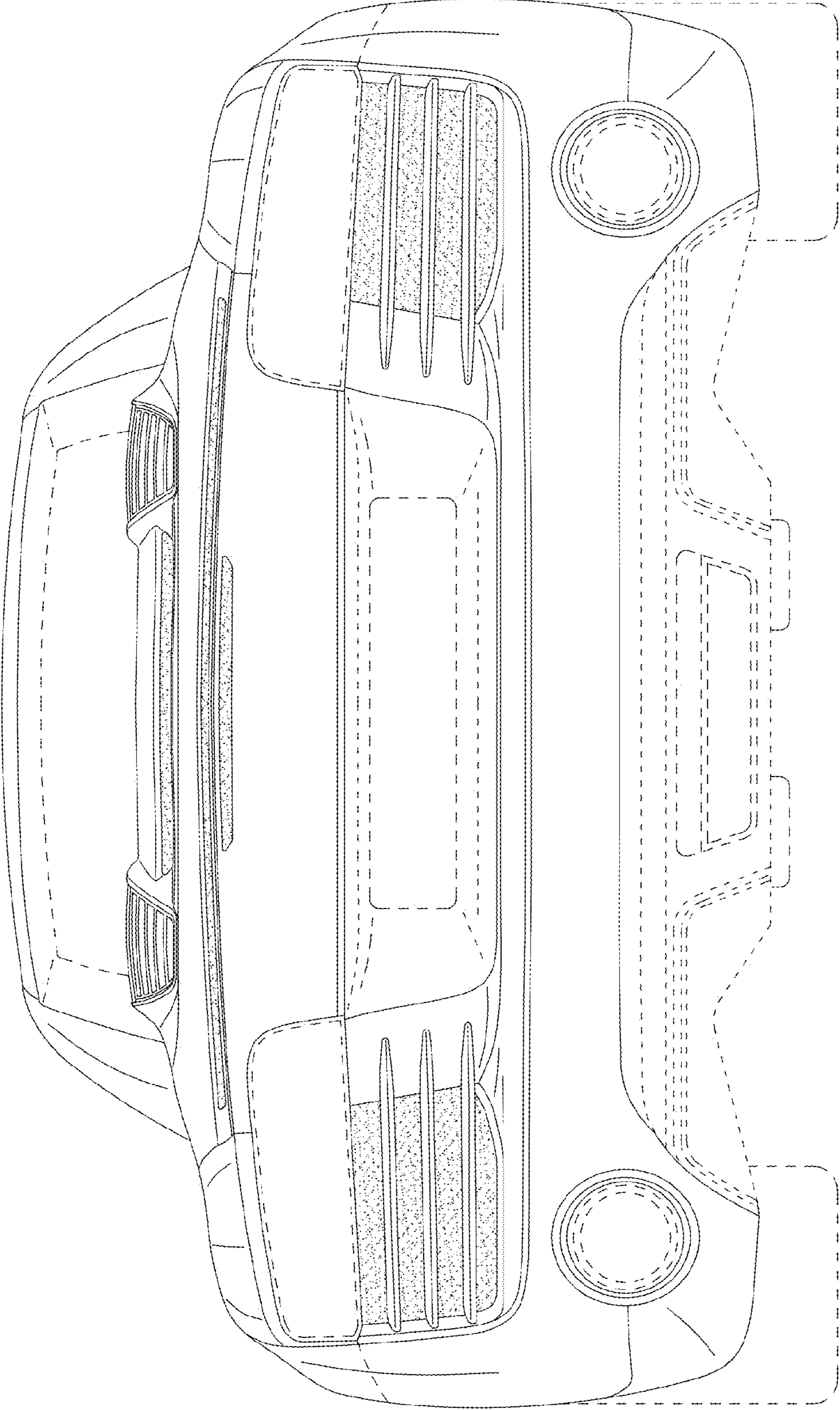


Fig. 3

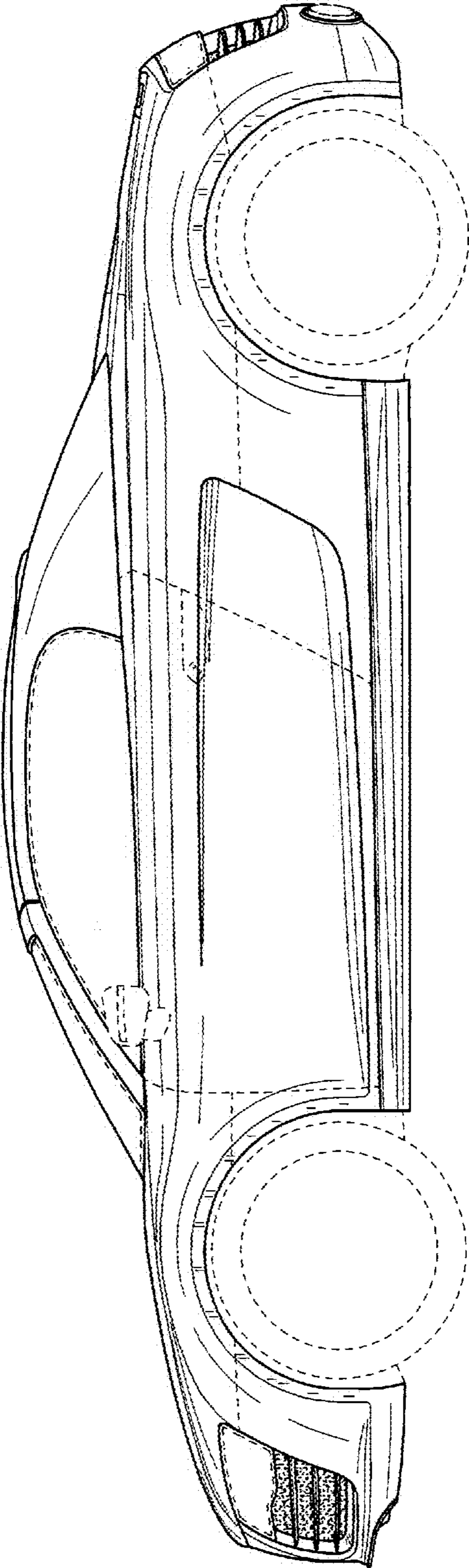


Fig. 4

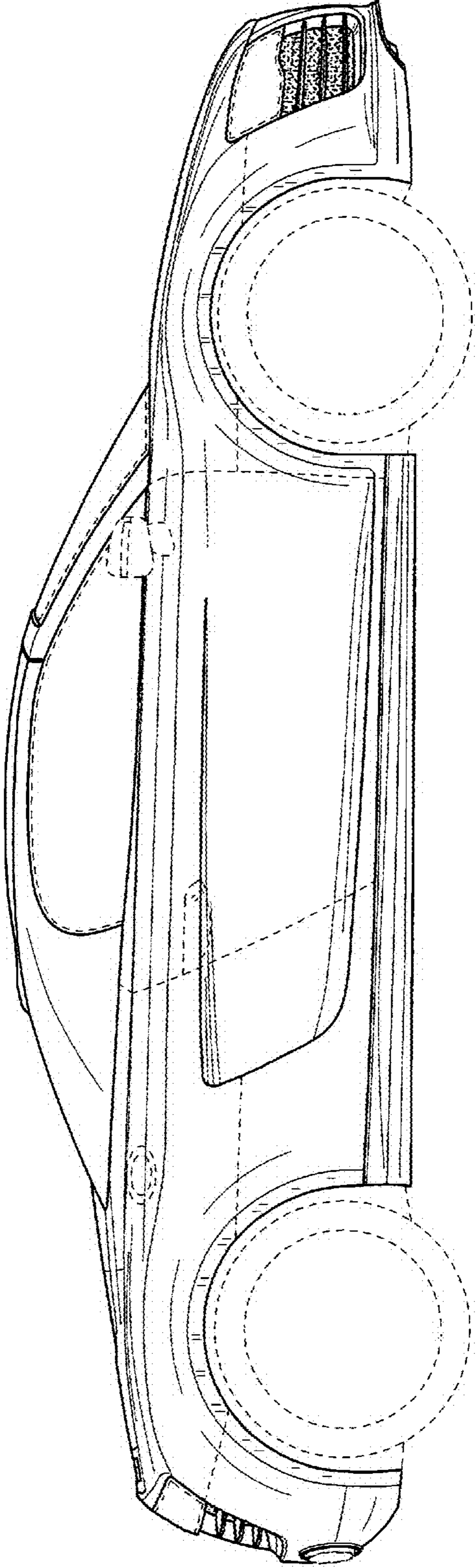


Fig. 5

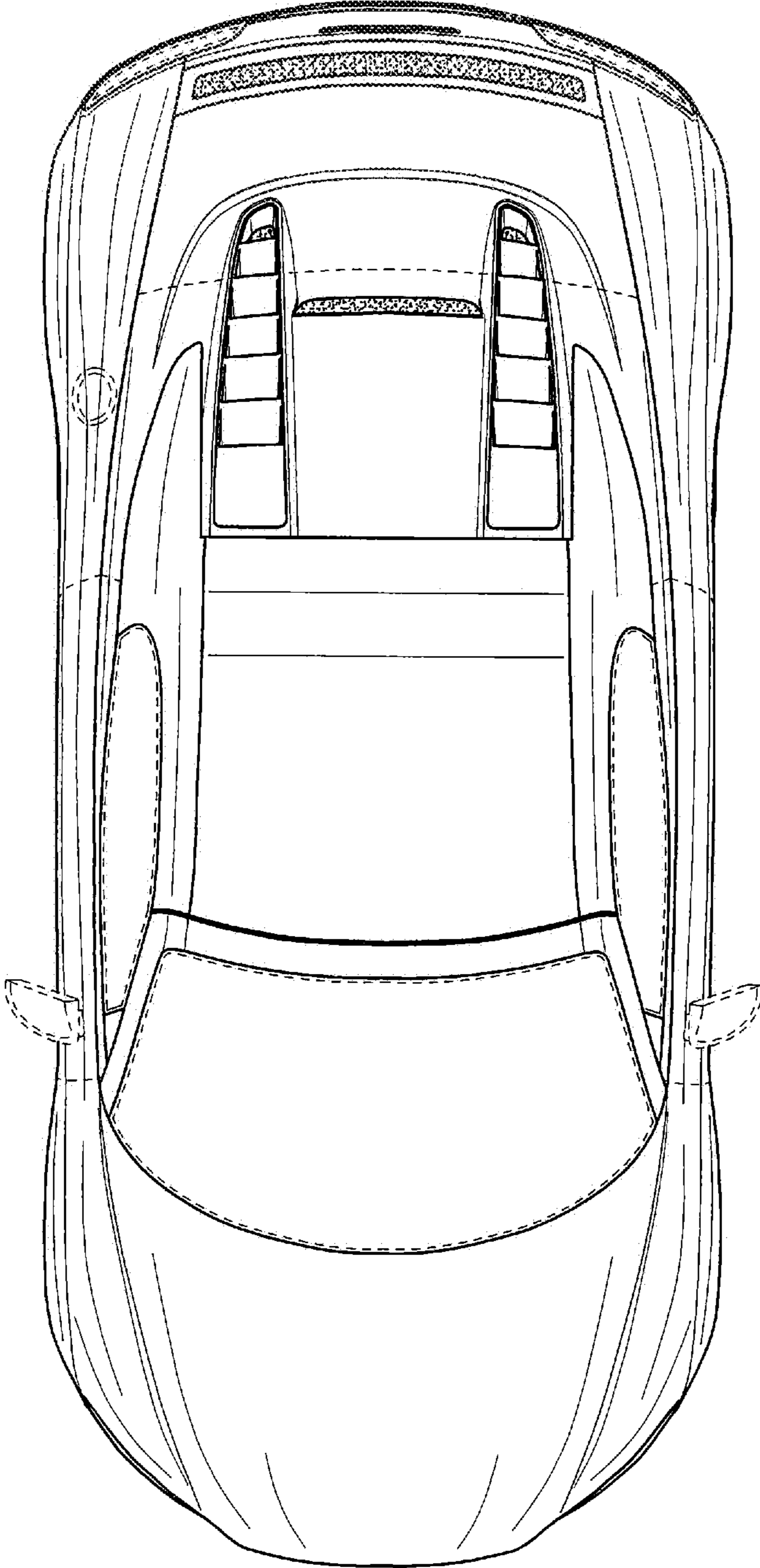


Fig. 6

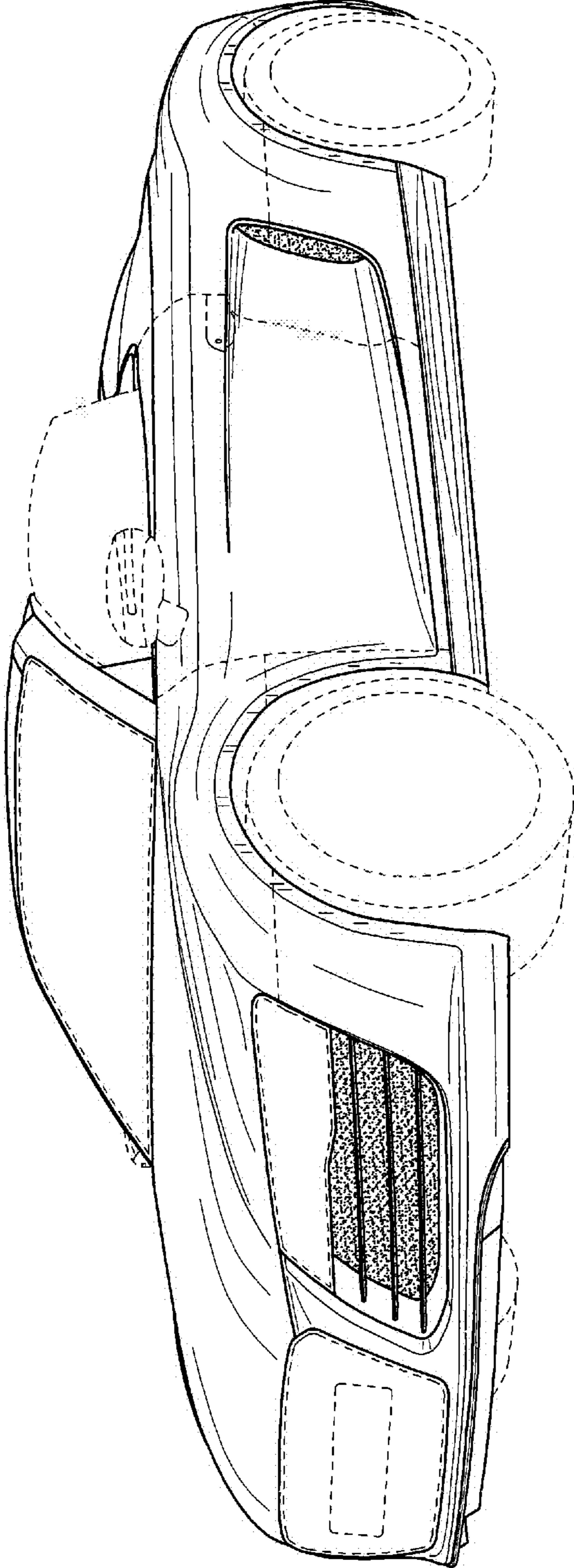


Fig. 7

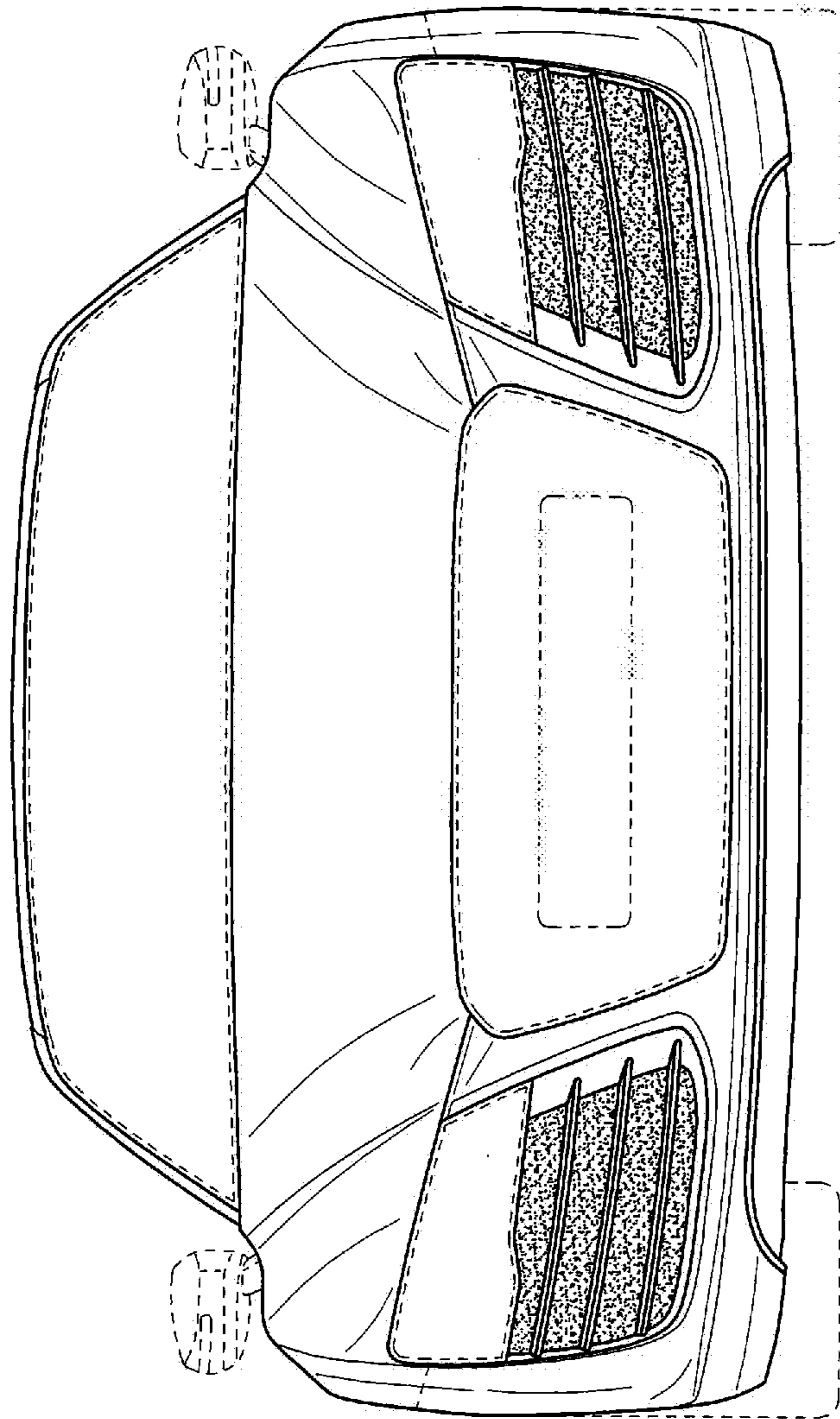


Fig. 8

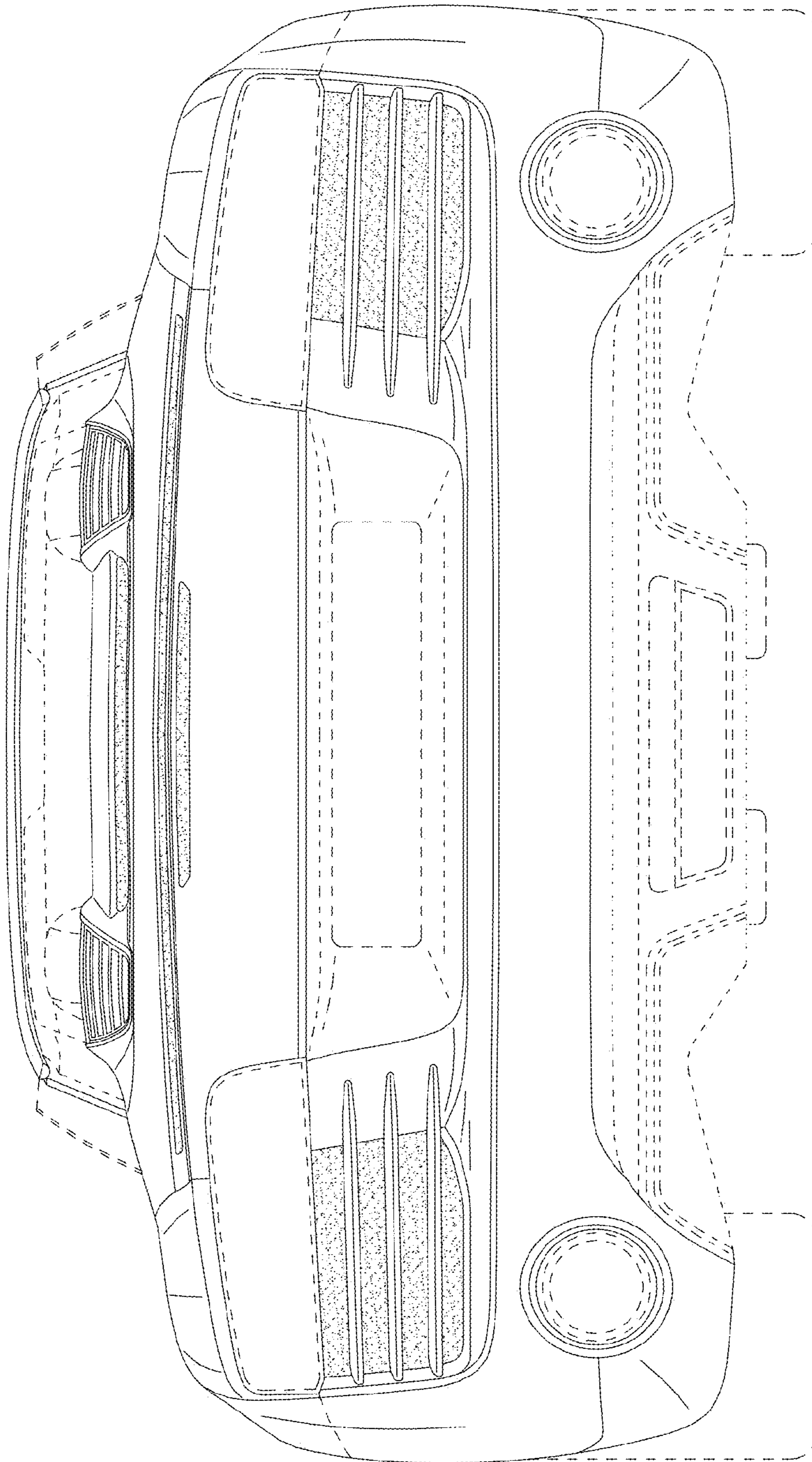


Fig. 9

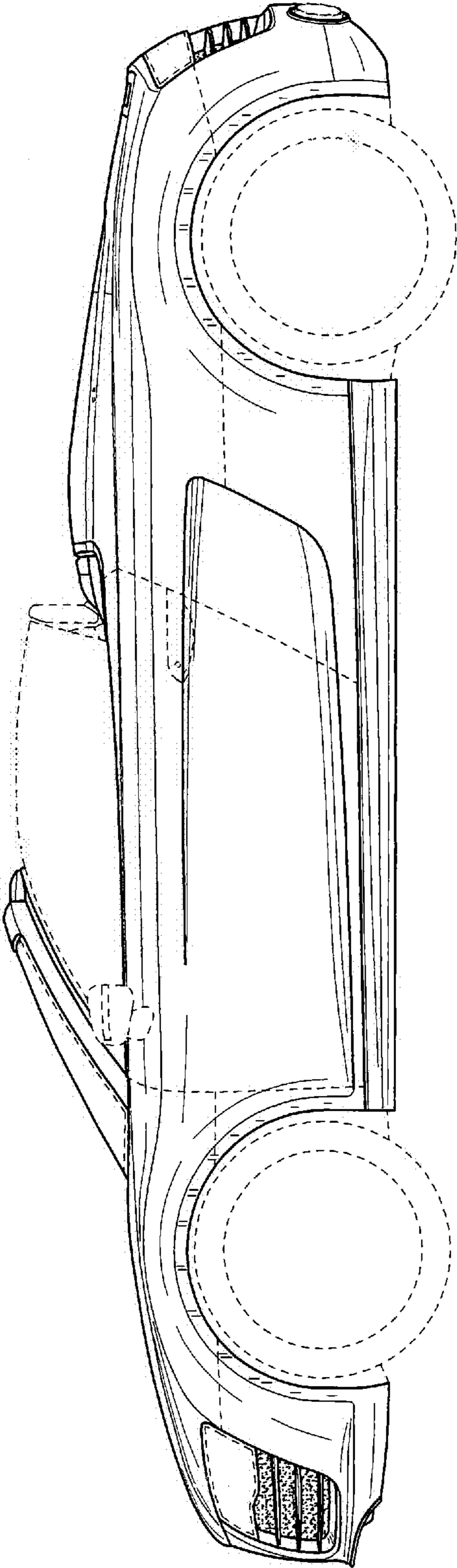


Fig. 10

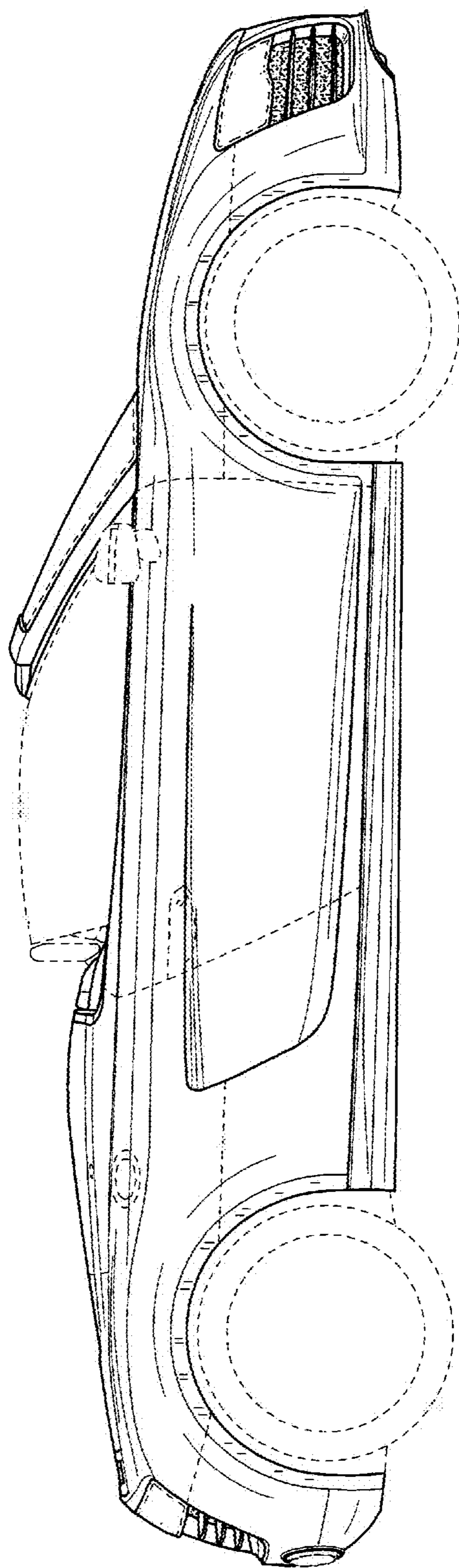


Fig. 11

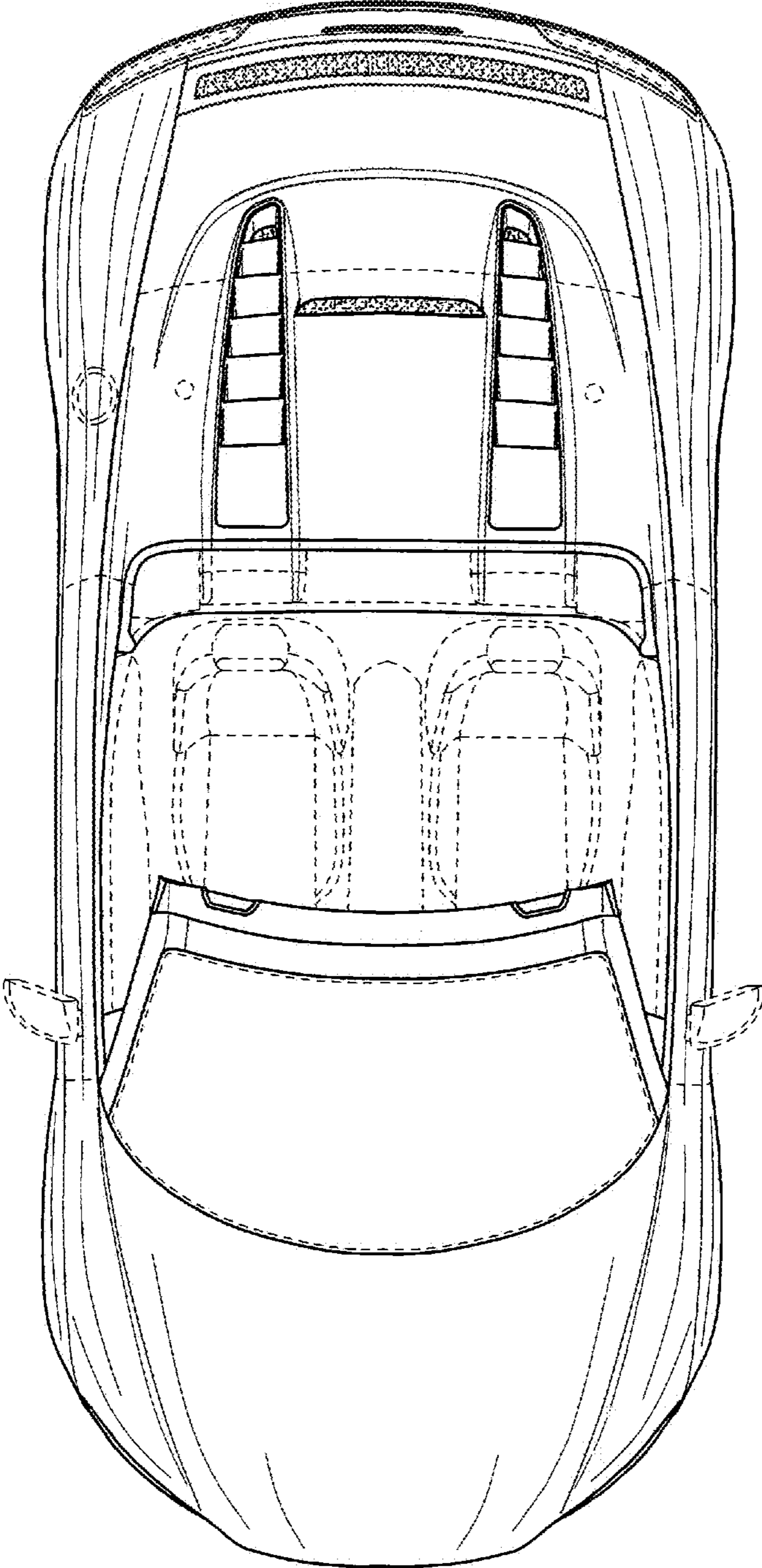


Fig. 12