

US00D736671S

(12) **United States Design Patent**
Kandakur et al.

(10) **Patent No.:** **US D736,671 S**
(45) **Date of Patent:** **** Aug. 18, 2015**

(54) **ENDCAP**

FOREIGN PATENT DOCUMENTS

(71) Applicant: **General Electric Company**,
Schenectady, NY (US)

DE 102006053432 5/2008
EP 1963161 2/2012
JP 2004354231 12/2004

(72) Inventors: **Rajeev Kandakur**, Bangalore (IN);
Andrey Asafiev, Moscow (RU);
Ganesha Sanjeeva, Bangalore (IN)

* cited by examiner

(73) Assignee: **General Electric Company**,
Schenectady, NY (US)

Primary Examiner — T. Chase Nelson

Assistant Examiner — Ania Aman

(74) *Attorney, Agent, or Firm* — GE Global Patent
Operation; John A. Kramer

(**) Term: **14 Years**

(21) Appl. No.: **29/487,873**

(57) **CLAIM**

The ornamental design for an endcap, as shown and
described.

(22) Filed: **Apr. 14, 2014**

(51) **LOC (10) Cl.** **12-03**

(52) **U.S. Cl.**

USPC **D12/47**

(58) **Field of Classification Search**

USPC D12/47, 48, 400, 161; 384/489, 459,
384/540, 542, 559, 562, 571, 584, 585,
384/589; D15/5

See application file for complete search history.

DESCRIPTION

FIG. 1 is a perspective view of an endcap depicting a first
embodiment of a new design;

FIG. 2 is front elevational view thereof;

FIG. 3 is a rear elevational view thereof;

FIG. 4 is a left side elevational view thereof;

FIG. 5 is right side elevational view thereof;

FIG. 6 is a top plan view thereof; and,

FIG. 7 is a bottom plan view thereof.

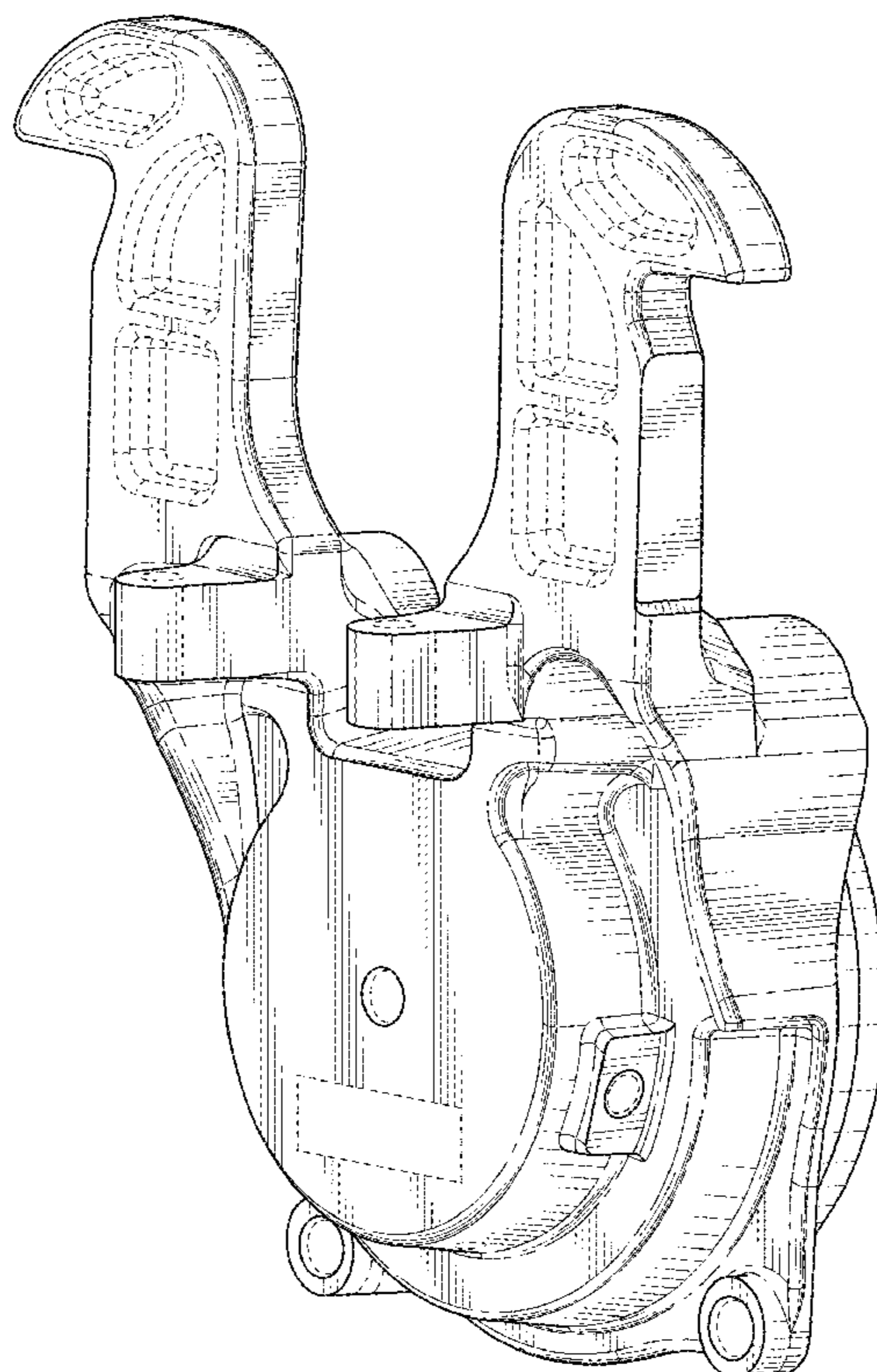
The broken line portion of the figures is included to show
unclaimed subject matter only and forms no part of the
claimed design.

(56) **References Cited**

U.S. PATENT DOCUMENTS

6,161,962 A 12/2000 French et al.
6,312,161 B1 * 11/2001 Williams 384/459
2008/0069489 A1 * 3/2008 Drake et al. 384/489

1 Claim, 6 Drawing Sheets



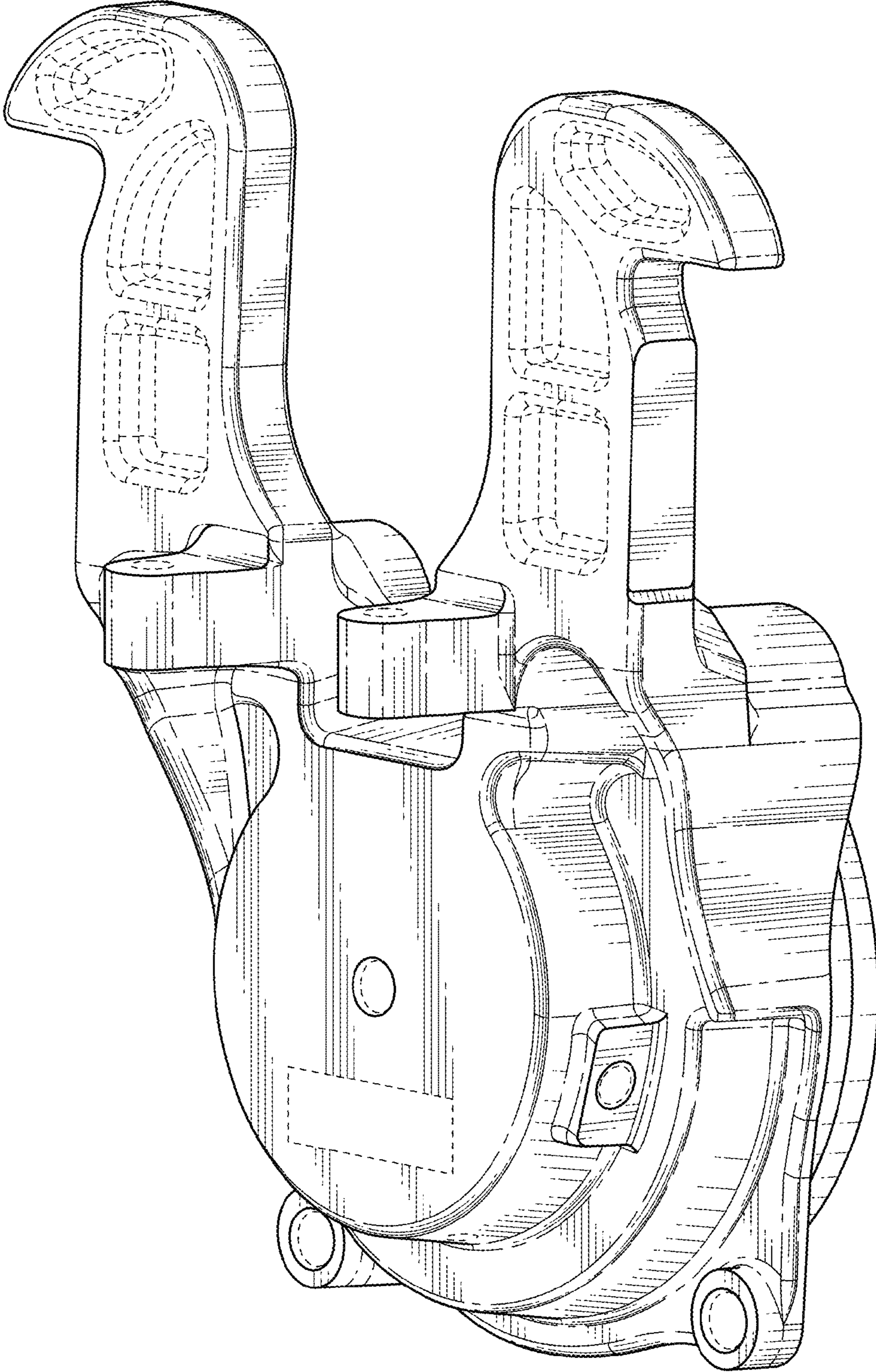


FIG. 1

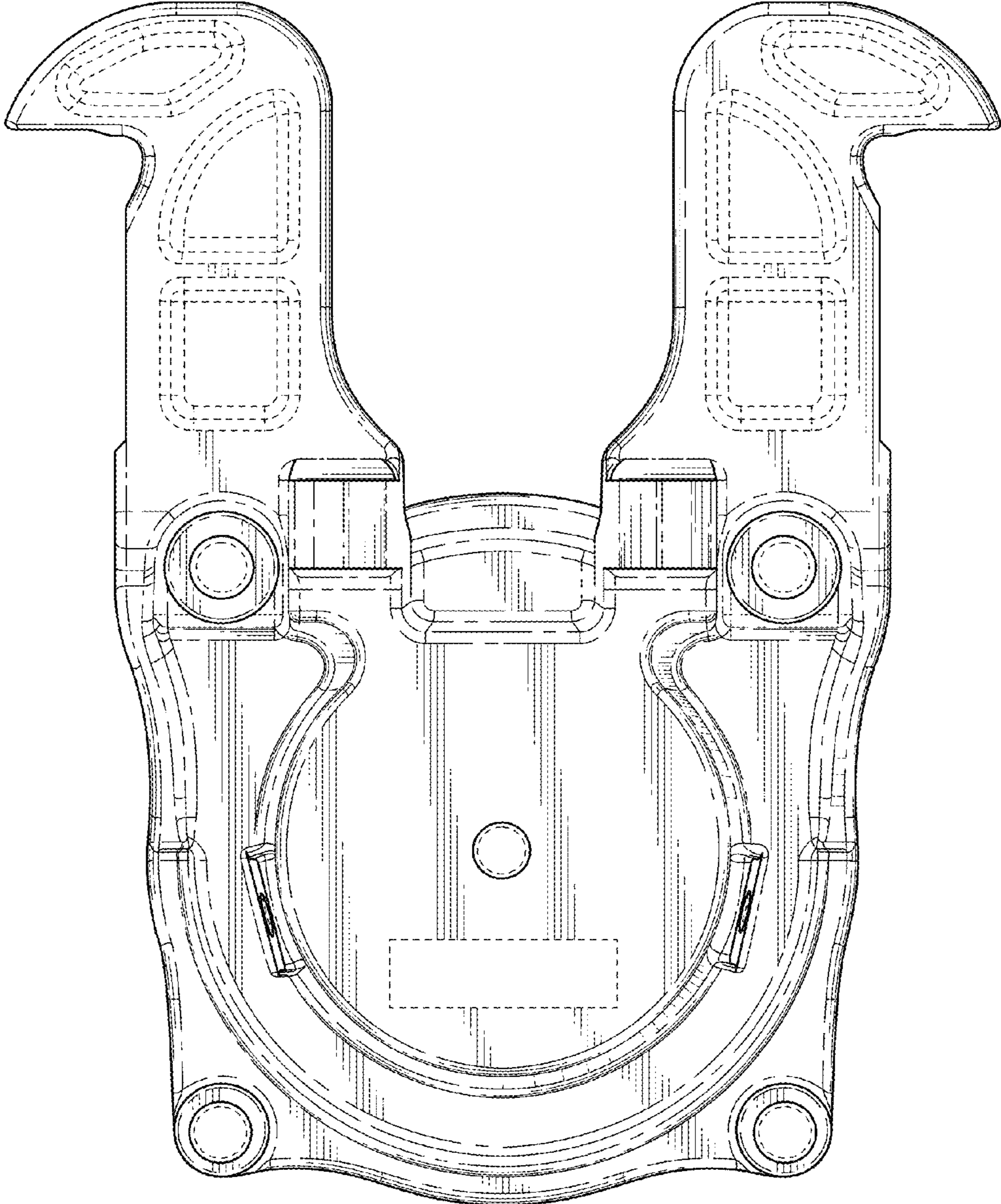


FIG. 2

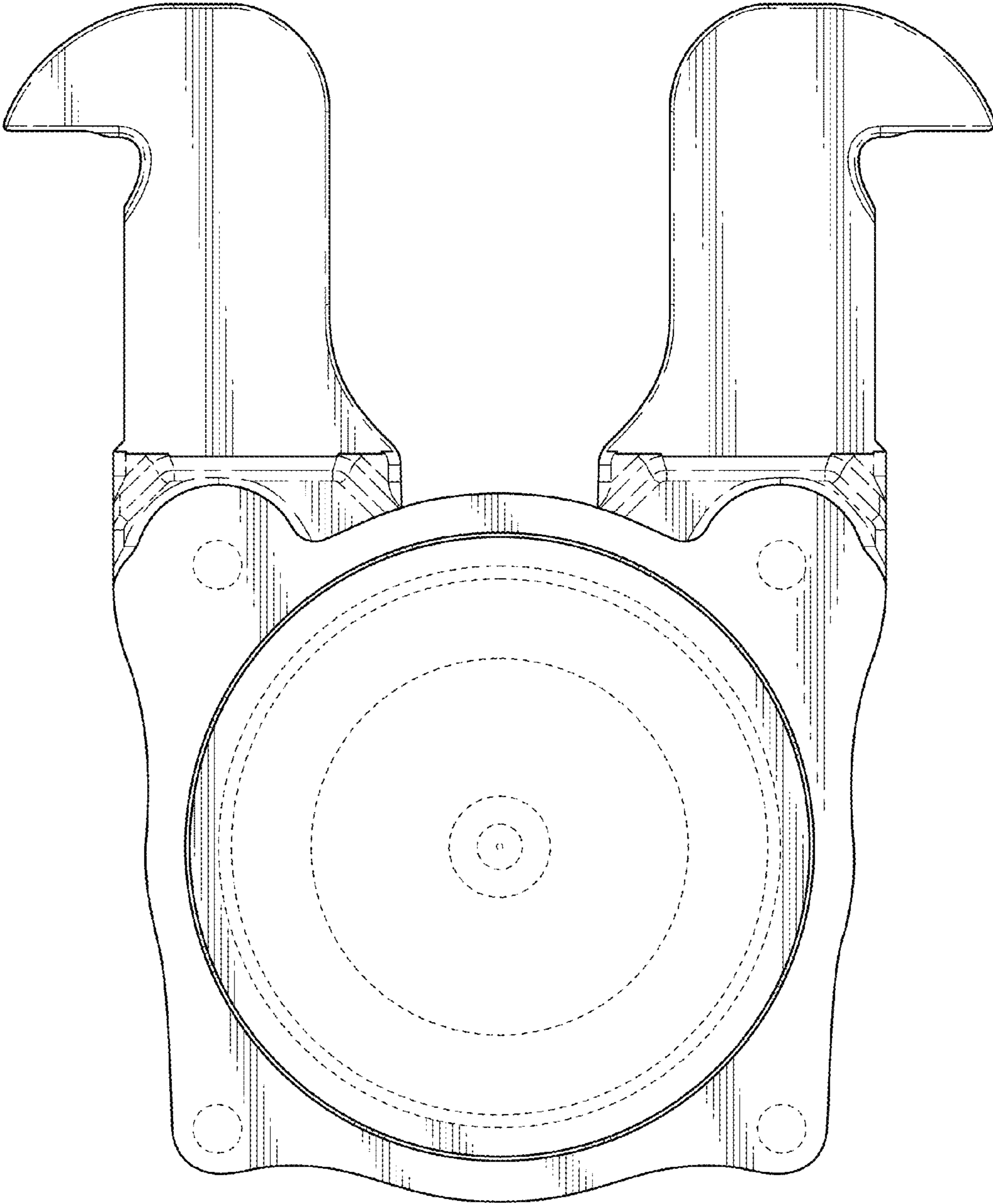


FIG. 3

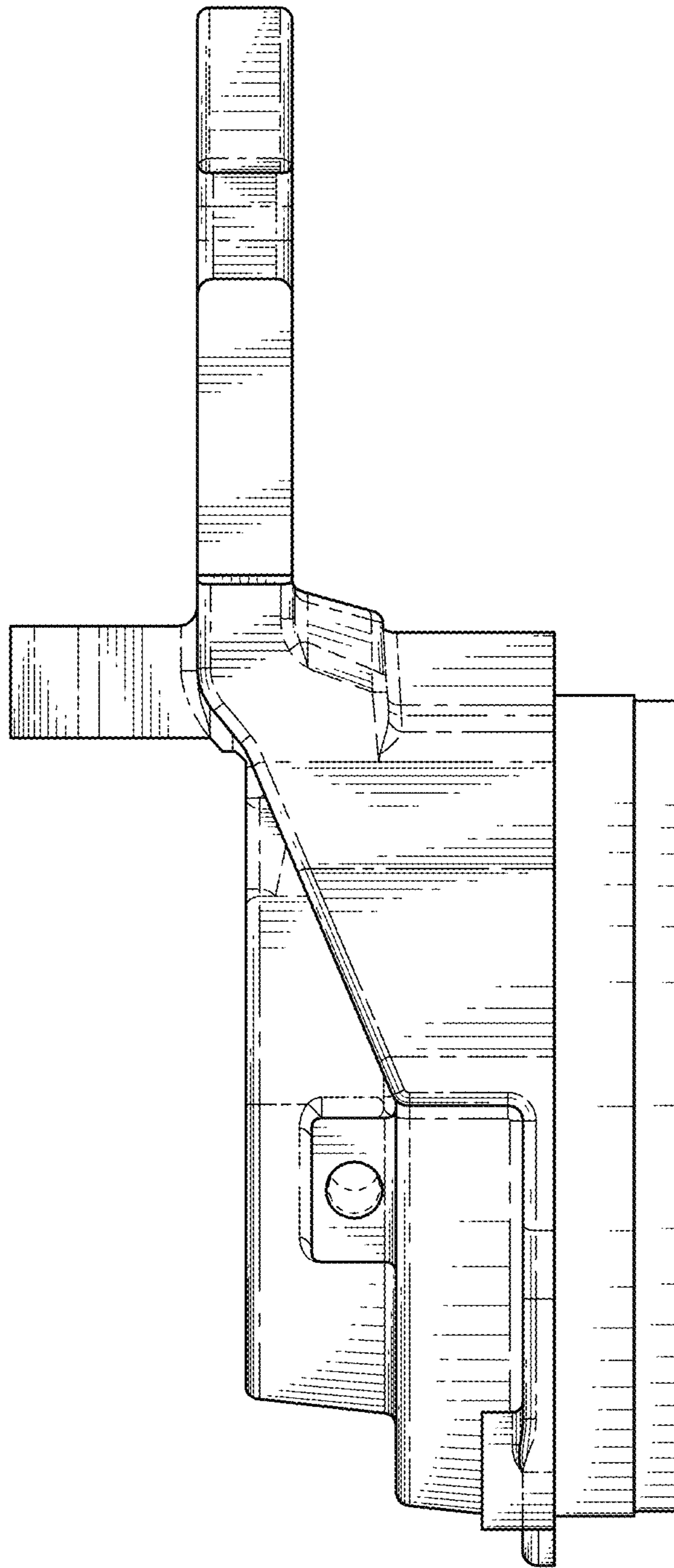


FIG. 4

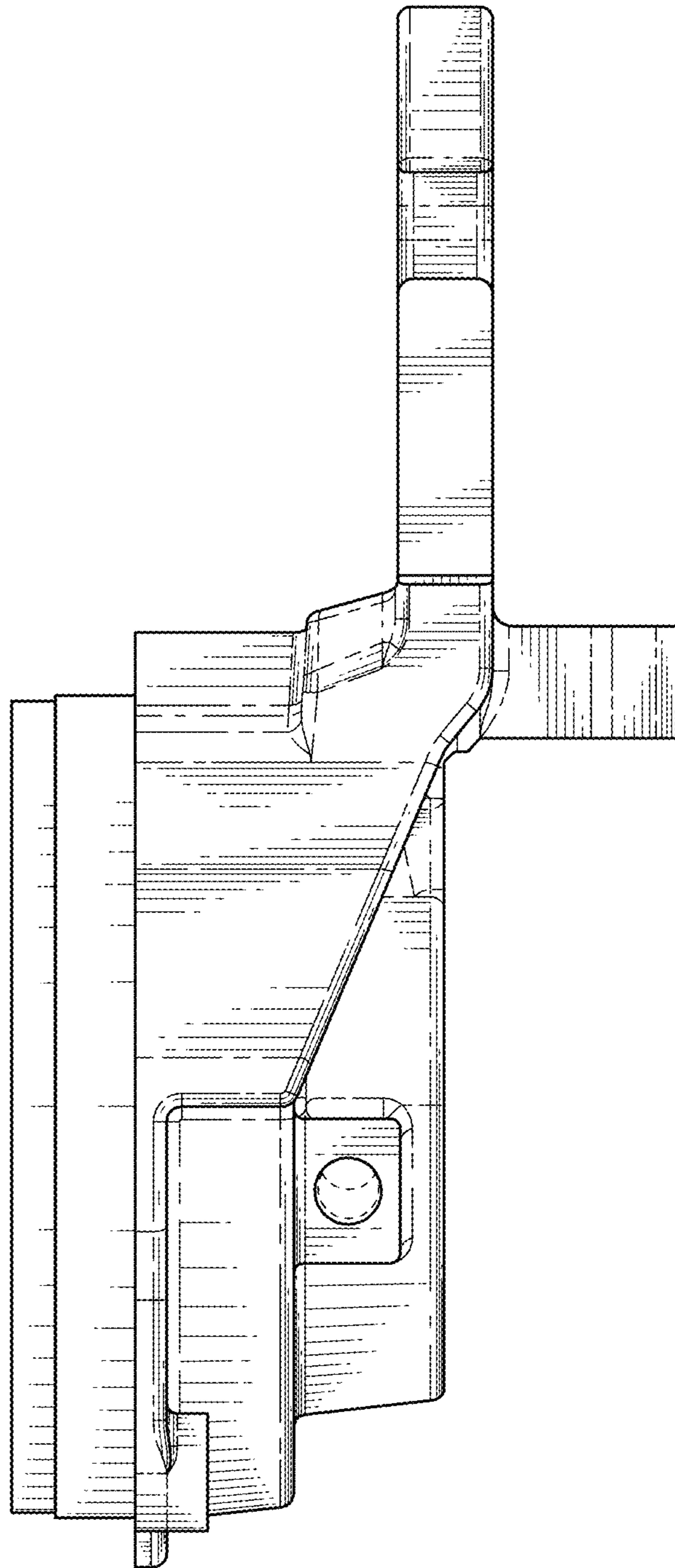


FIG. 5

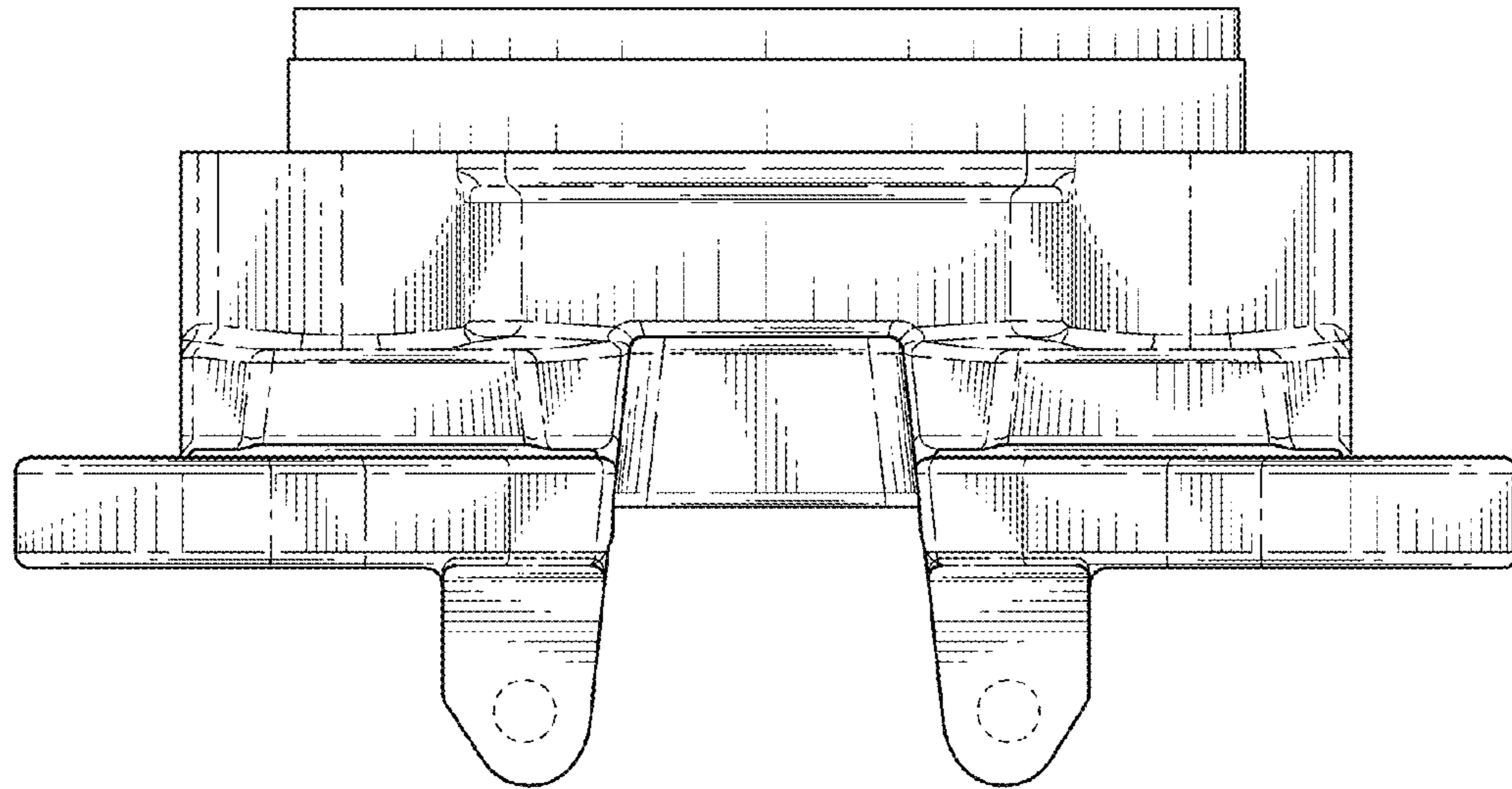


FIG. 6

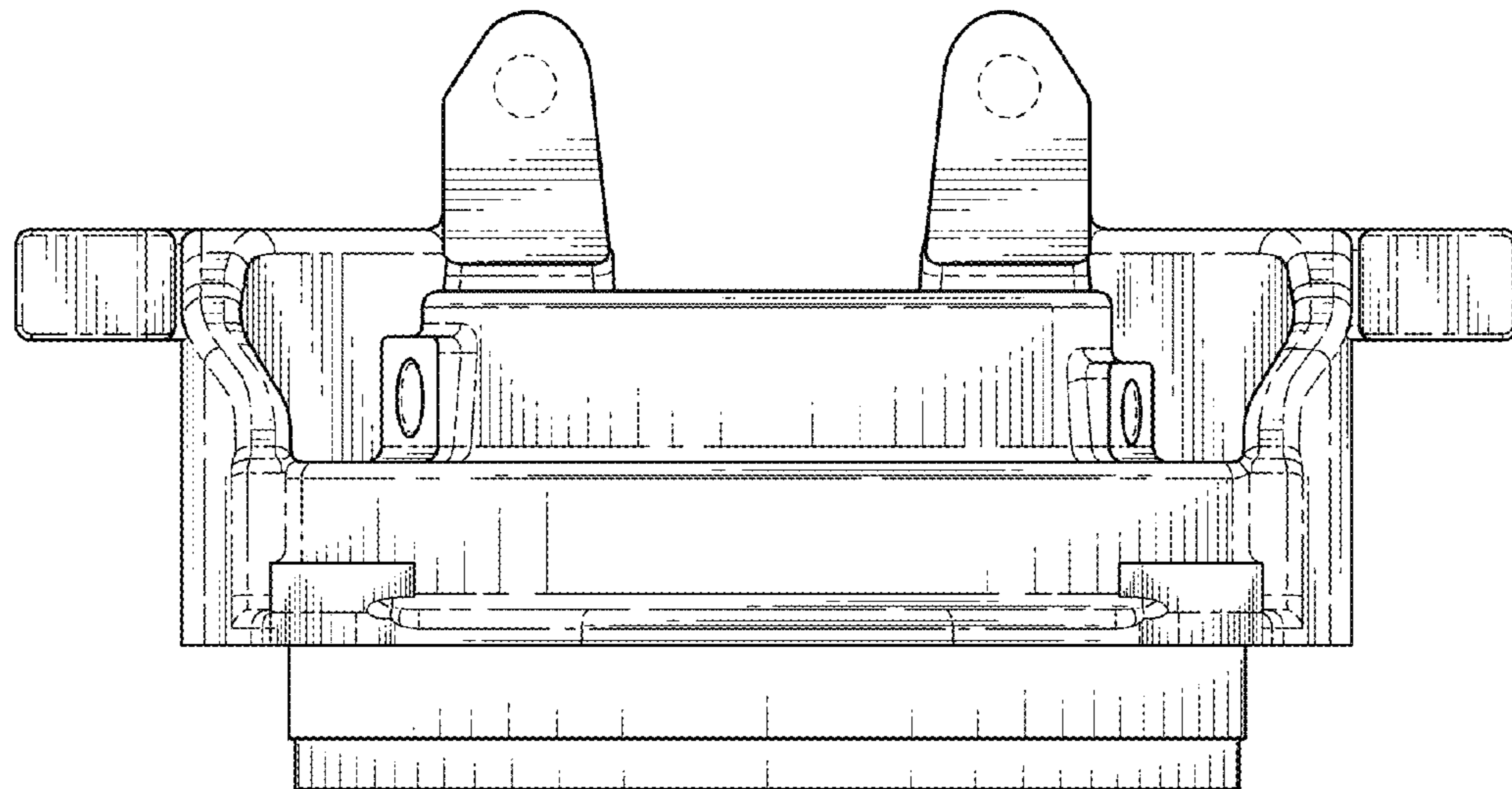


FIG. 7