

US00D736670S

(12) **United States Design Patent**
Schneider

(10) **Patent No.:** **US D736,670 S**

(45) **Date of Patent:** **** Aug. 18, 2015**

(54) **PLANT RESERVOIR**

(71) Applicant: **Kikkerland Design, Inc.**, New York, NY (US)

(72) Inventor: **Casey Schneider**, New York, NY (US)

(73) Assignee: **Kikkerland Design, Inc.**, New York, NY (US)

(**) Term: **14 Years**

(21) Appl. No.: **29/472,590**

(22) Filed: **Nov. 14, 2013**

(51) **LOC (10) Cl.** **11-02**

(52) **U.S. Cl.**
USPC **D11/164**

(58) **Field of Classification Search**
USPC D11/143, 144, 145, 149, 151, 157, 164;
D6/556, 557; D9/503, 521; 206/423;
47/65.7, 79, 80, 86

CPC ... B65D 83/285; A01G 27/003; A01G 27/005
See application file for complete search history.

(56) **References Cited**

U.S. PATENT DOCUMENTS

D279,175 S *	6/1985	Eklof	D11/164
D291,667 S *	9/1987	Wouters	D11/164
D357,645 S *	4/1995	Wang	D11/164
D390,499 S *	2/1998	Durham et al.	D11/152
D401,888 S *	12/1998	Yang	D11/164
D485,207 S *	1/2004	Dion	D11/143
D485,208 S *	1/2004	Fan	D11/143
D485,784 S *	1/2004	Fan	D11/143
D490,745 S *	6/2004	Fan	D11/143
D506,702 S *	6/2005	Fan	D11/143

D531,081 S *	10/2006	Fan	D11/143
D658,538 S *	5/2012	Korzeniowski	D11/143
D661,222 S *	6/2012	Jaworski	D11/164
D661,223 S *	6/2012	Jaworski	D11/164

OTHER PUBLICATIONS

Water from a Stone, Products, kikkerland.com, Searched Feb. 24, 2015, <http://www.kikkerland.com/products/water-from-a-stone/>.
Water From a Stone to Refresh Your Plants, Current/Goods, Home and Garden, nytimes.com, Searched Feb. 24, 2015, http://www.nytimes.com/2013/07/25/garden/water-from-a-stone-to-refresh-your-plants.html?smid=pl-share&_r=0.

* cited by examiner

Primary Examiner — John Windmuller

Assistant Examiner — Steven Czyz

(74) *Attorney, Agent, or Firm* — Cascio & Zervas

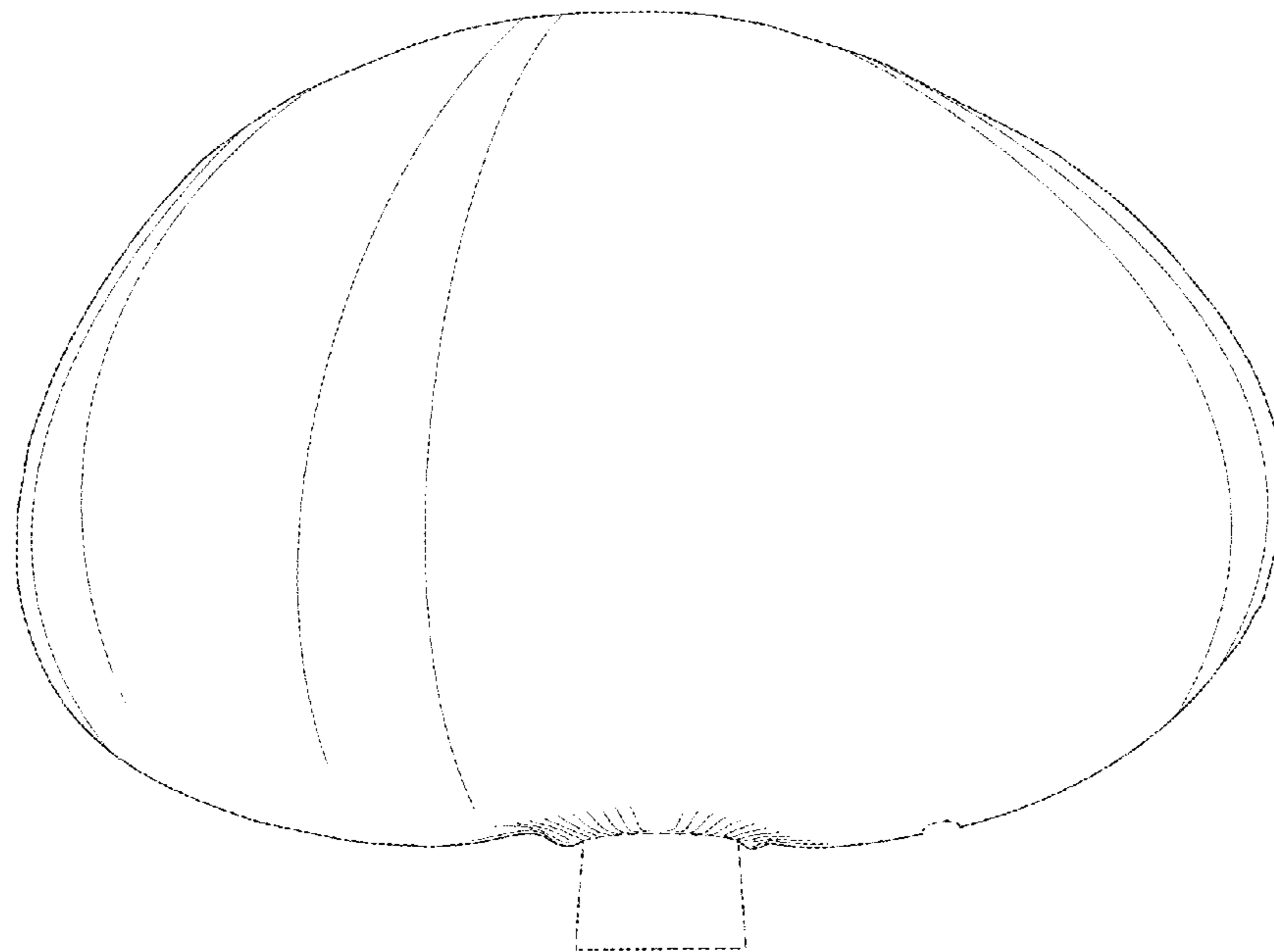
(57) **CLAIM**

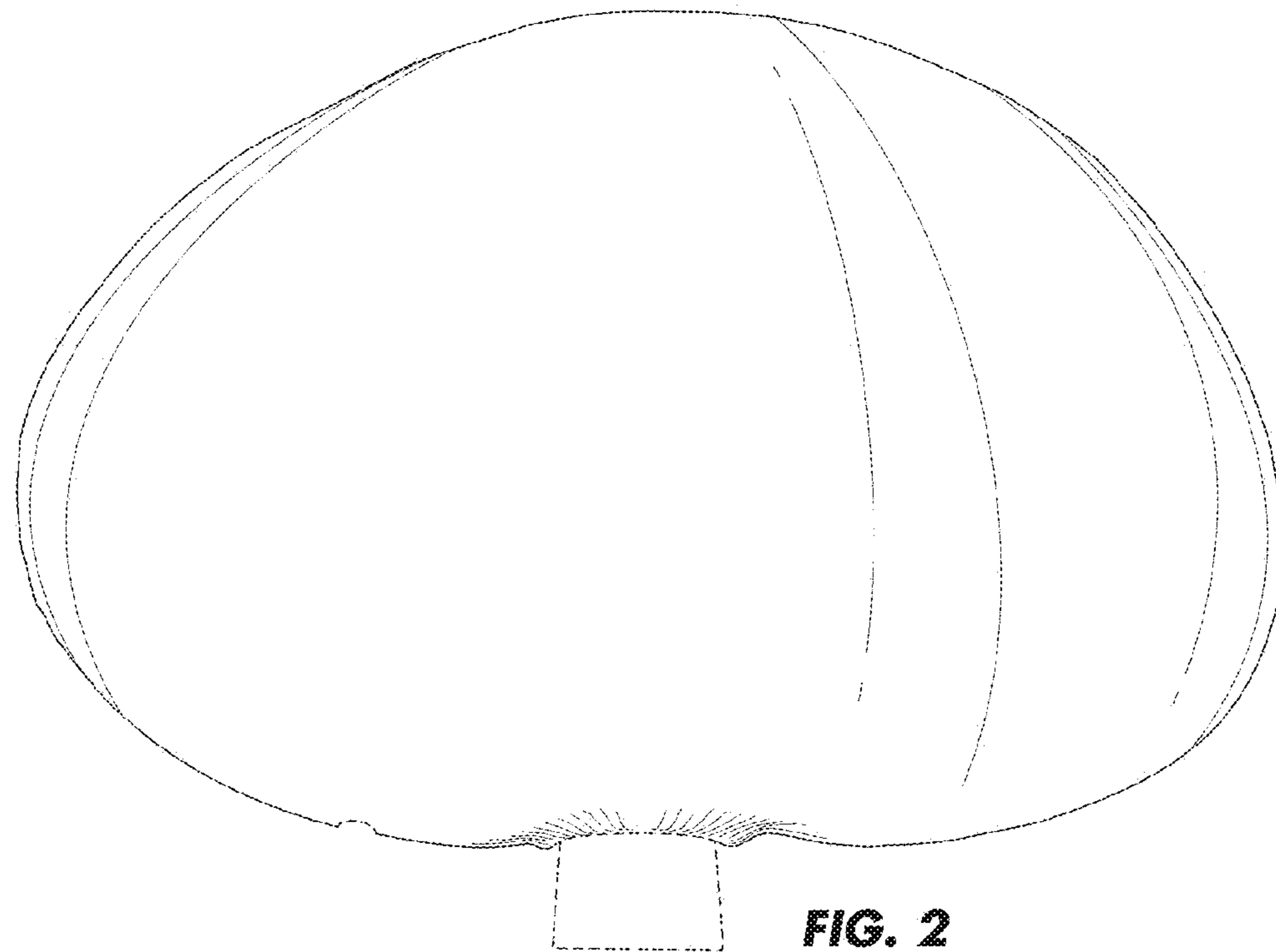
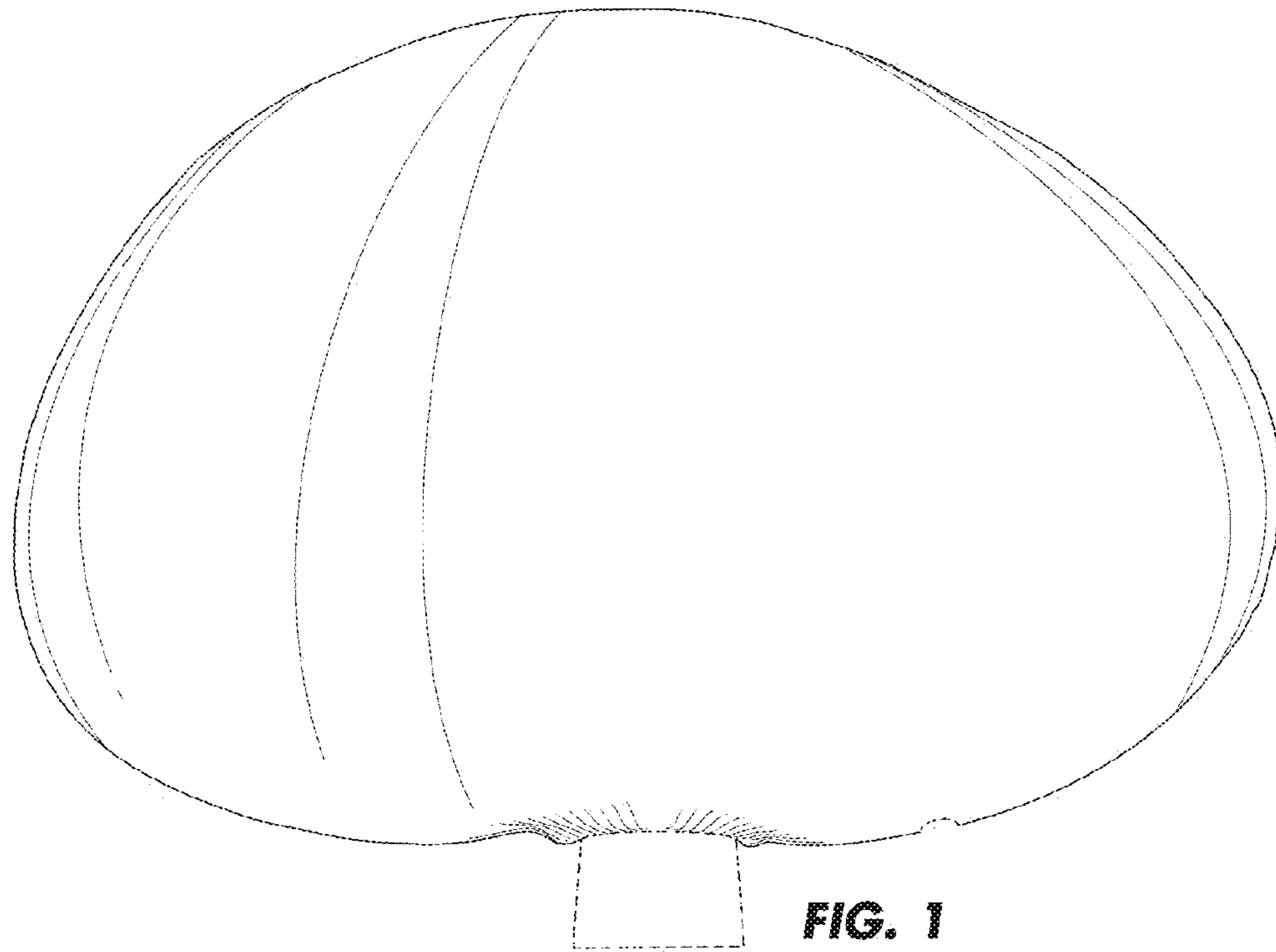
The ornamental design for a plant reservoir, as shown and described.

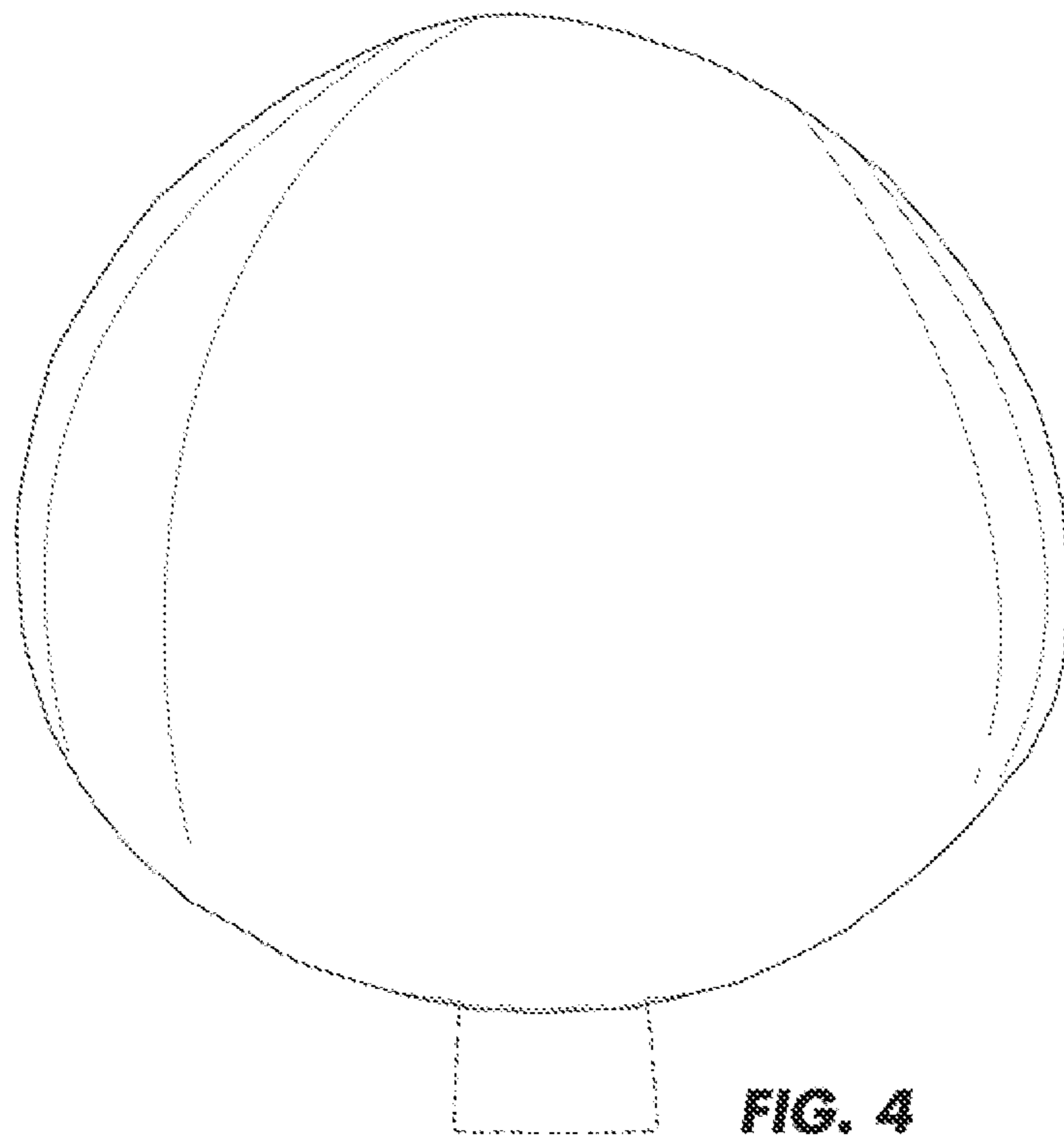
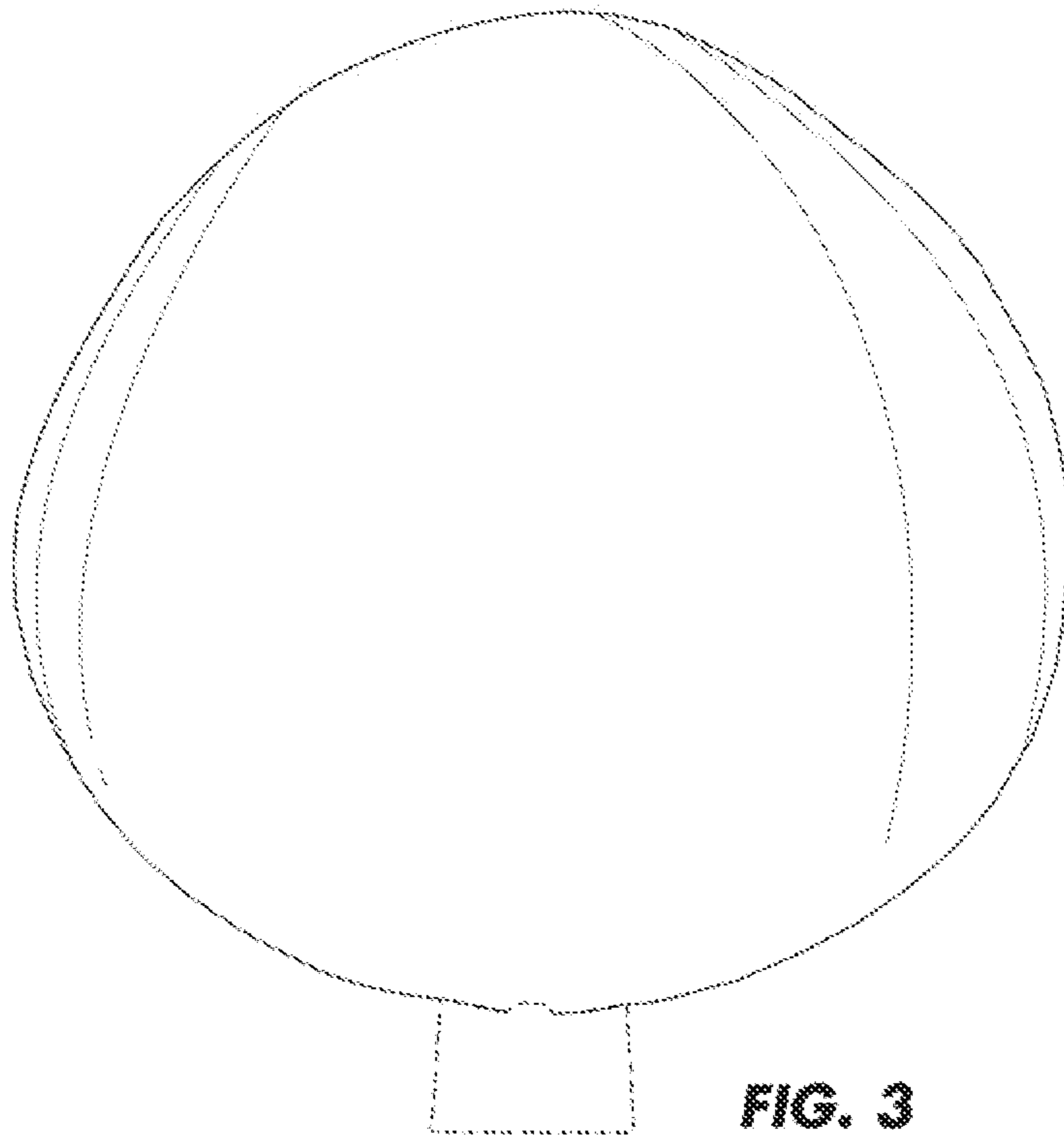
DESCRIPTION

FIG. 1 is a right, side elevational view of the plant reservoir showing my design;
FIG. 2 is a left side elevational view thereof;
FIG. 3 is a front: elevational view thereof;
FIG. 4 is a rear elevational view thereof;
FIG. 5 is a top plan view thereof;
FIG. 6 is a bottom plan view thereof;
FIG. 7 is a front perspective view thereof; and,
FIG. 8 is a right side elevational view with the cork removed. The broken lines shown in the Figures, depict portions of the plant reservoir that form no part of the claimed design.

1 Claim, 4 Drawing Sheets







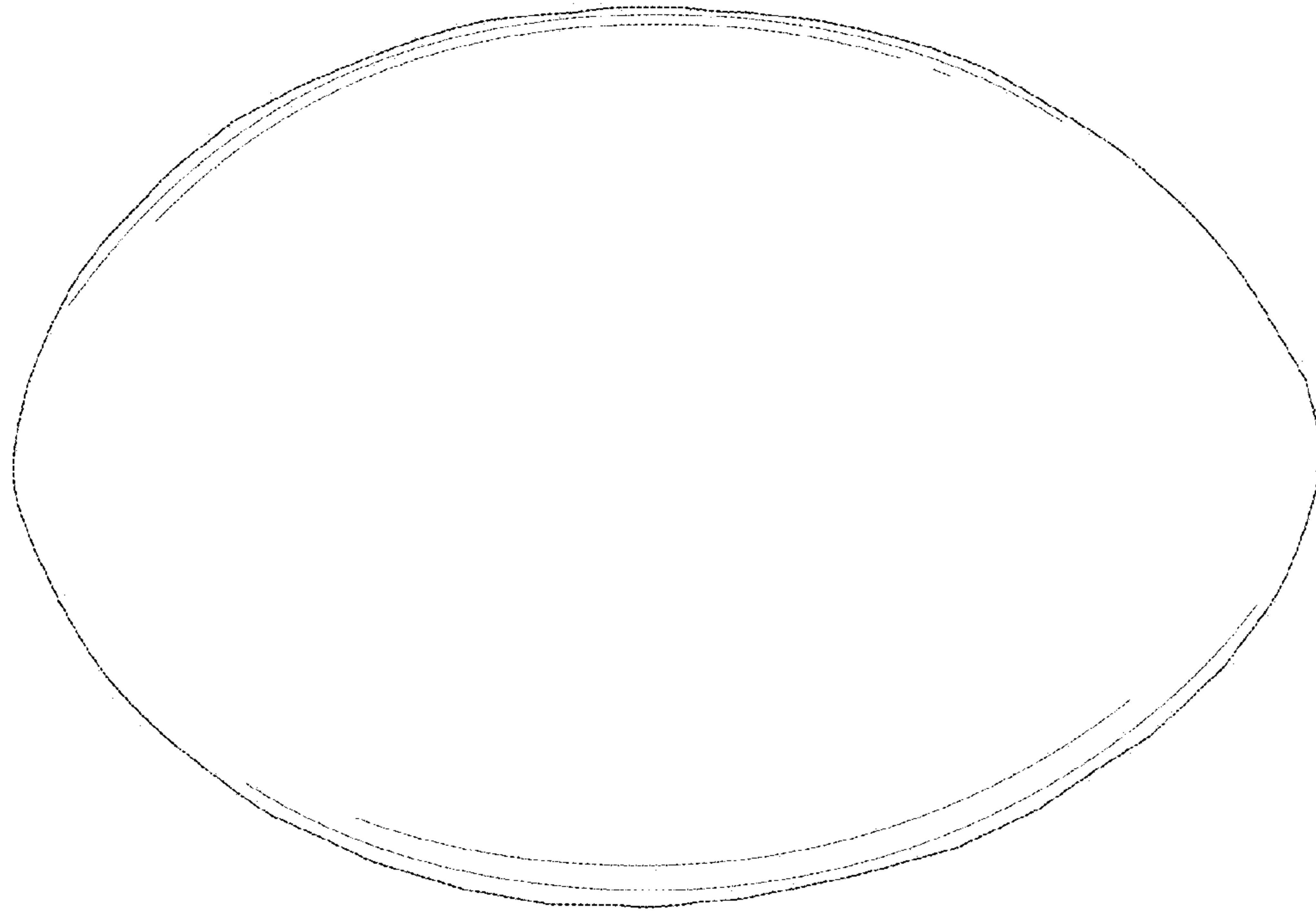


FIG. 5

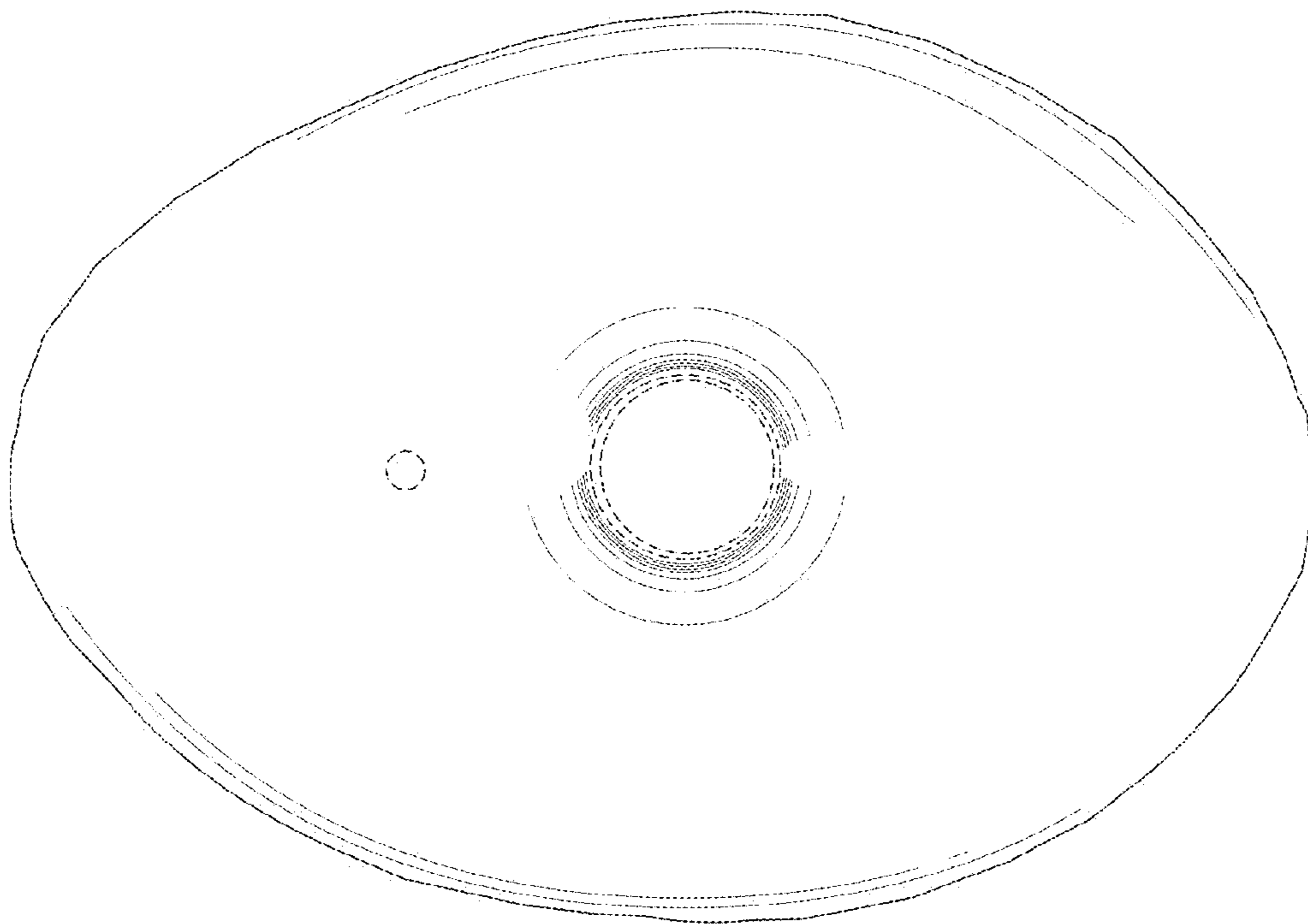


FIG. 6

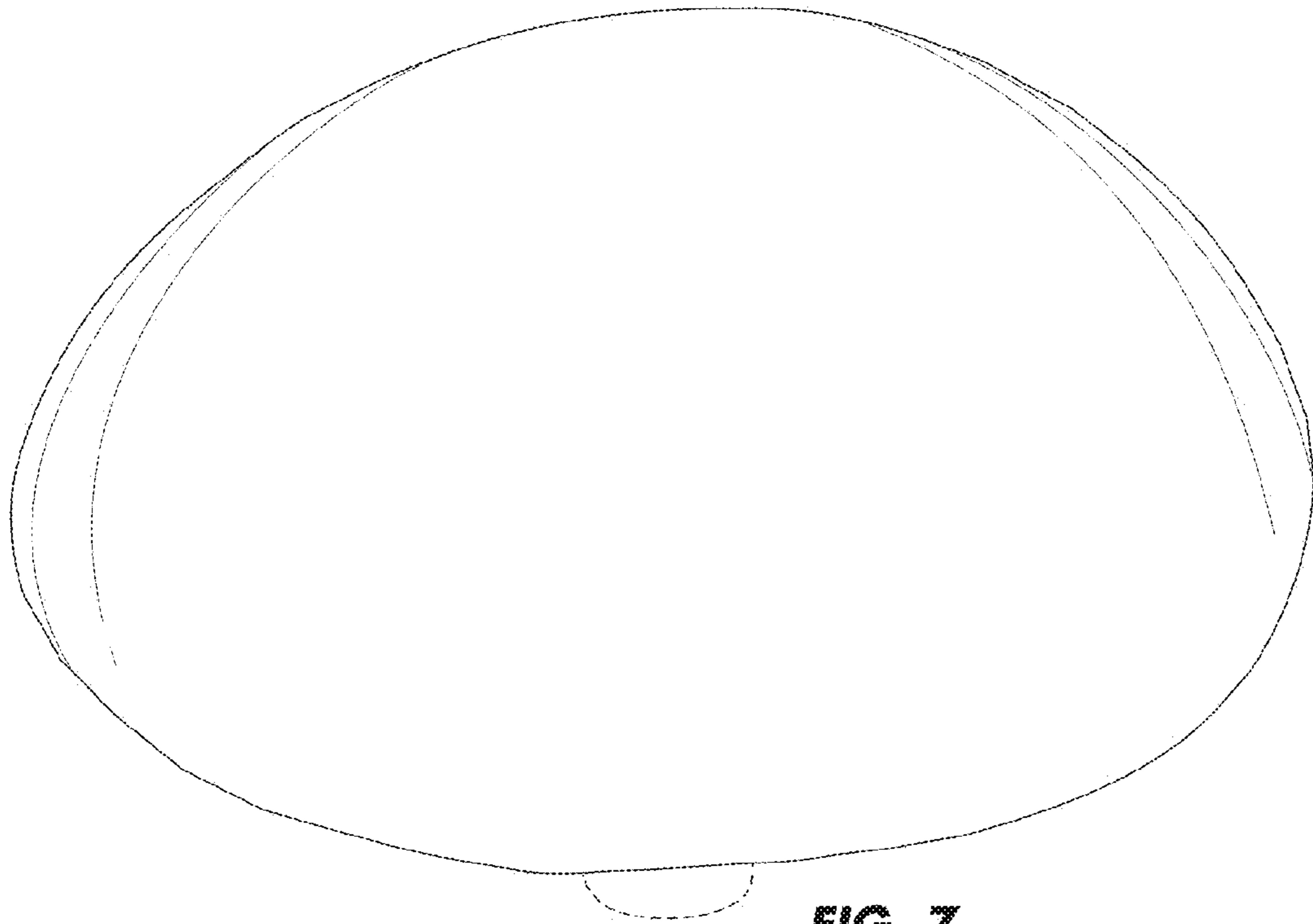


FIG. 7

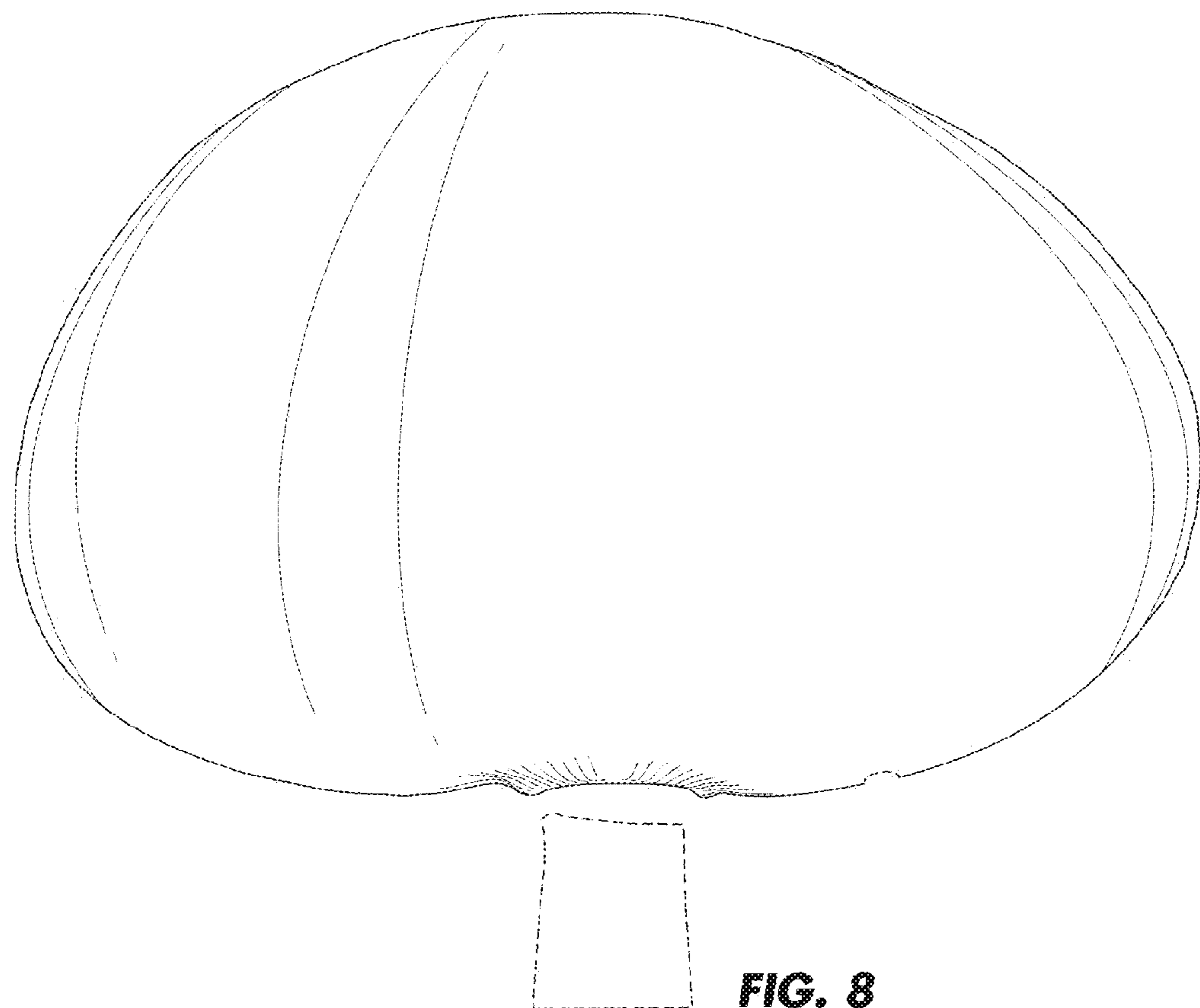


FIG. 8