



US00D736668S

(12) **United States Design Patent**
Calitri

(10) **Patent No.:** **US D736,668 S**

(45) **Date of Patent:** **** Aug. 18, 2015**

(54) **SKATE BLADES IMPRISONED INTO FAKED ICE BLOCKS**

(71) Applicant: **Natalina Calitri**, Montréal (CA)

(72) Inventor: **Natalina Calitri**, Montréal (CA)

(**) Term: **14 Years**

(21) Appl. No.: **29/449,095**

(22) Filed: **Mar. 14, 2013**

(51) **LOC (10) Cl.** **11-02**

(52) **U.S. Cl.**
USPC **D11/157**

(58) **Field of Classification Search**
USPC D11/131, 133, 135, 144, 149, 157, 184;
D19/34.2, 34.3; 428/7, 13, 542.2,
428/542.4

See application file for complete search history.

(56) **References Cited**

U.S. PATENT DOCUMENTS

| | | | | |
|-----------|------|---------|------------------|--------|
| 2,499,535 | A * | 3/1950 | Spreen | 40/729 |
| 2,917,856 | A | 12/1959 | Soloff | |
| 3,613,265 | A | 10/1971 | Stern et al. | |
| 4,385,459 | A * | 5/1983 | McGrath et al. | 40/730 |
| 4,927,686 | A | 5/1990 | Colea | |
| 5,588,240 | A * | 12/1996 | Zilliox | 40/729 |
| 6,060,011 | A | 5/2000 | Zandvliet et al. | |
| 6,383,429 | B1 | 5/2002 | Noto | |
| 6,385,886 | B1 * | 5/2002 | Chepikian | 40/729 |
| 6,792,709 | B1 * | 9/2004 | Fine et al. | 40/720 |
| D510,916 | S | 10/2005 | Phipps et al. | |
| D554,376 | S * | 11/2007 | Fung | D6/300 |

(Continued)

OTHER PUBLICATIONS

Winky Enterprise Ltd. "Ice-Effects Cast Acrylic Embedments", published on Oct. 17, 2008.

(Continued)

Primary Examiner — Eric Goodman

Assistant Examiner — Amy Wierenga

(74) *Attorney, Agent, or Firm* — Bereskin & Parr LLP/S.E.N.C.R.L., s.r.l.

(57) **CLAIM**

The ornamental design for a skate blades imprisoned into faked ice blocks, as shown and described.

DESCRIPTION

FIG. 1 is a perspective view of a skate blades imprisoned into faked ice blocks, according to a first embodiment;

FIG. 2 is a rear view of a skate blades imprisoned into faked ice blocks, according to a first embodiment;

FIG. 3 is a front view of a skate blades imprisoned into faked ice blocks, according to a first embodiment;

FIG. 4 is a right side view of a skate blades imprisoned into faked ice blocks, according to a first embodiment;

FIG. 5 is a left side view of a skate blades imprisoned into faked ice blocks, according to a first embodiment;

FIG. 6 is a top view of a skate blades imprisoned into faked ice blocks, according to a first embodiment;

FIG. 7 is a bottom view of a skate blades imprisoned into faked ice blocks, according to a first embodiment;

FIG. 8 is a perspective view of a skate blades imprisoned into faked ice blocks, according to a second embodiment;

FIG. 9 is a rear view of a skate blades imprisoned into faked ice blocks, according to a second embodiment;

FIG. 10 is a front view of a skate blades imprisoned into faked ice blocks, according to a second embodiment;

FIG. 11 is a right side view of a skate blades imprisoned into faked ice blocks, according to a second embodiment;

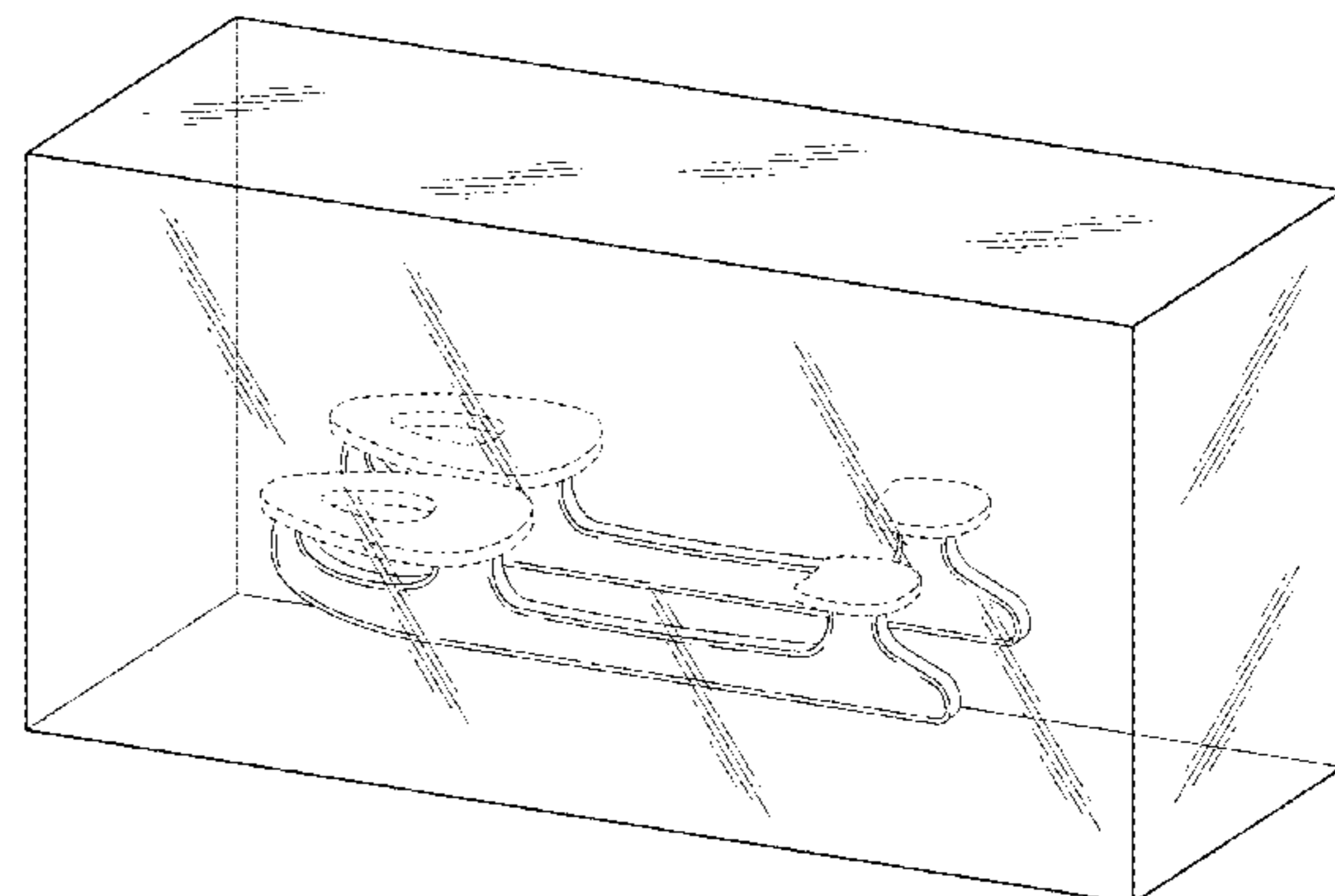
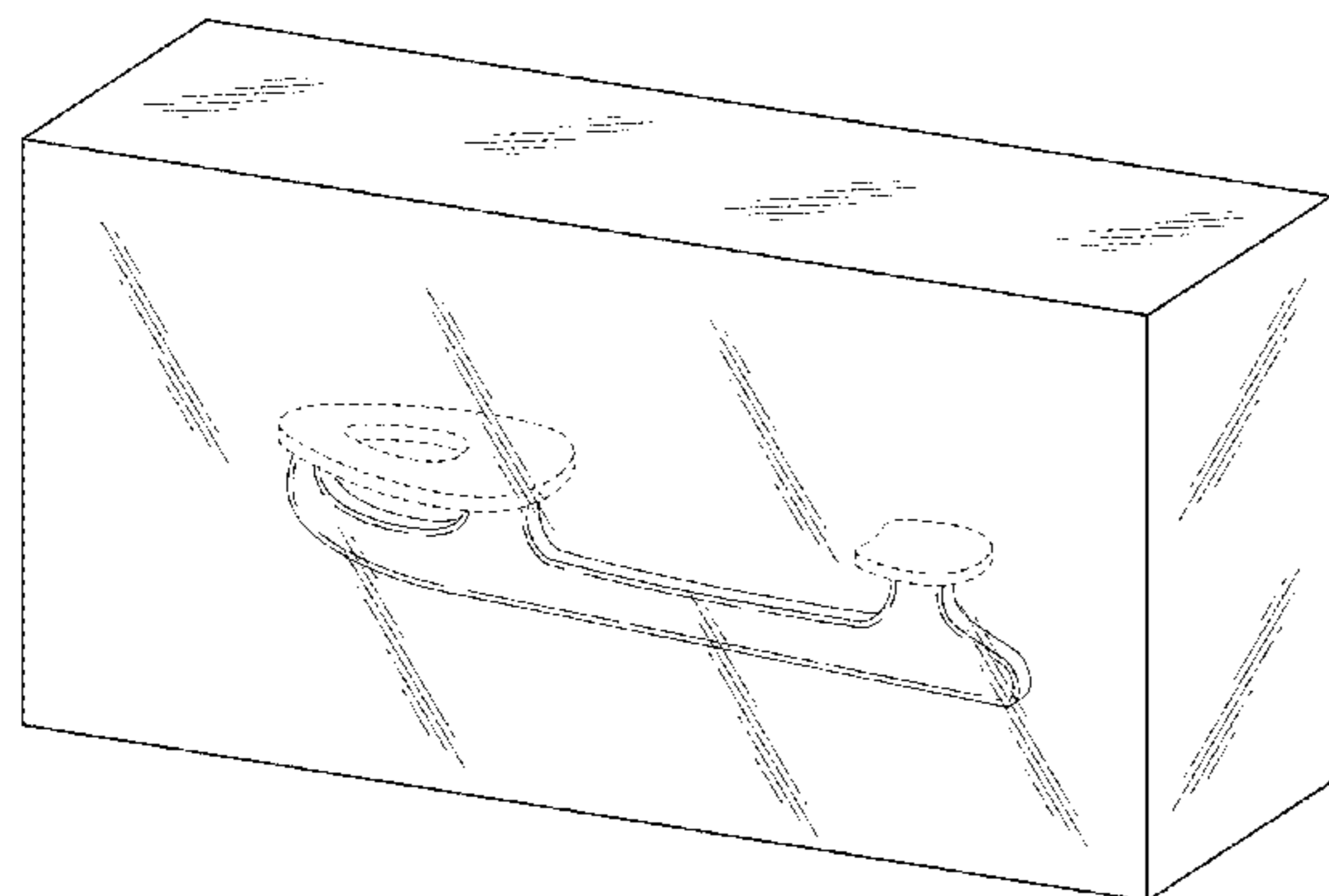
FIG. 12 is a left side view of a skate blades imprisoned into faked ice blocks, according to a second embodiment;

FIG. 13 is a top view of a skate blades imprisoned into faked ice blocks, according to a second embodiment; and,

FIG. 14 is a bottom view of a skate blades imprisoned into faked ice blocks, according to a second embodiment.

The broken line showing of structure is included for the purpose of illustrating portions of the skate blades imprisoned into faked ice blocks and forms no part of the claimed design.

1 Claim, 7 Drawing Sheets



(56)

References Cited

U.S. PATENT DOCUMENTS

D591,958 S * 5/2009 Pozin et al. D6/309
2005/0232959 A1 10/2005 Bell

OTHER PUBLICATIONS

Superstock "A Square Shaped Block of Ice with a Hand Gun Frozen Inside" Retrieved from the Internet <URL: <http://www.superstock.com/preview.asp?image=1598R-10028051&imagex=439&id=13728057&productType=2&pageStart=400&pageEnd=500&pixperpage=100&hitCount=482&filterForCat-&filterForFotog=>>>.

Shutterstock "Strawberry Frozen in Ice Cube" Retrieved from the Internet <URL: <http://www.shutterstock.com/pic-1575499/stock-photo-strawberry-frozen-in-ice-cube.html>>.

Clearmount "G2525 Ice Look Block" Retrieved from the Internet <URL: http://www.clearmount.com/catalogue/index.php?main_page=product_info&cPath=6_18&products_id=89> and http://www.clearmount.com/extend_the_experience/galleries/sports.php>.

Trophies2go "Figure Skate Acrylic Star Trophy" published on Aug. 5, 2008.

Engravingawardsgifts "Acrylic Embedments" published on May 24, 2005.

* cited by examiner

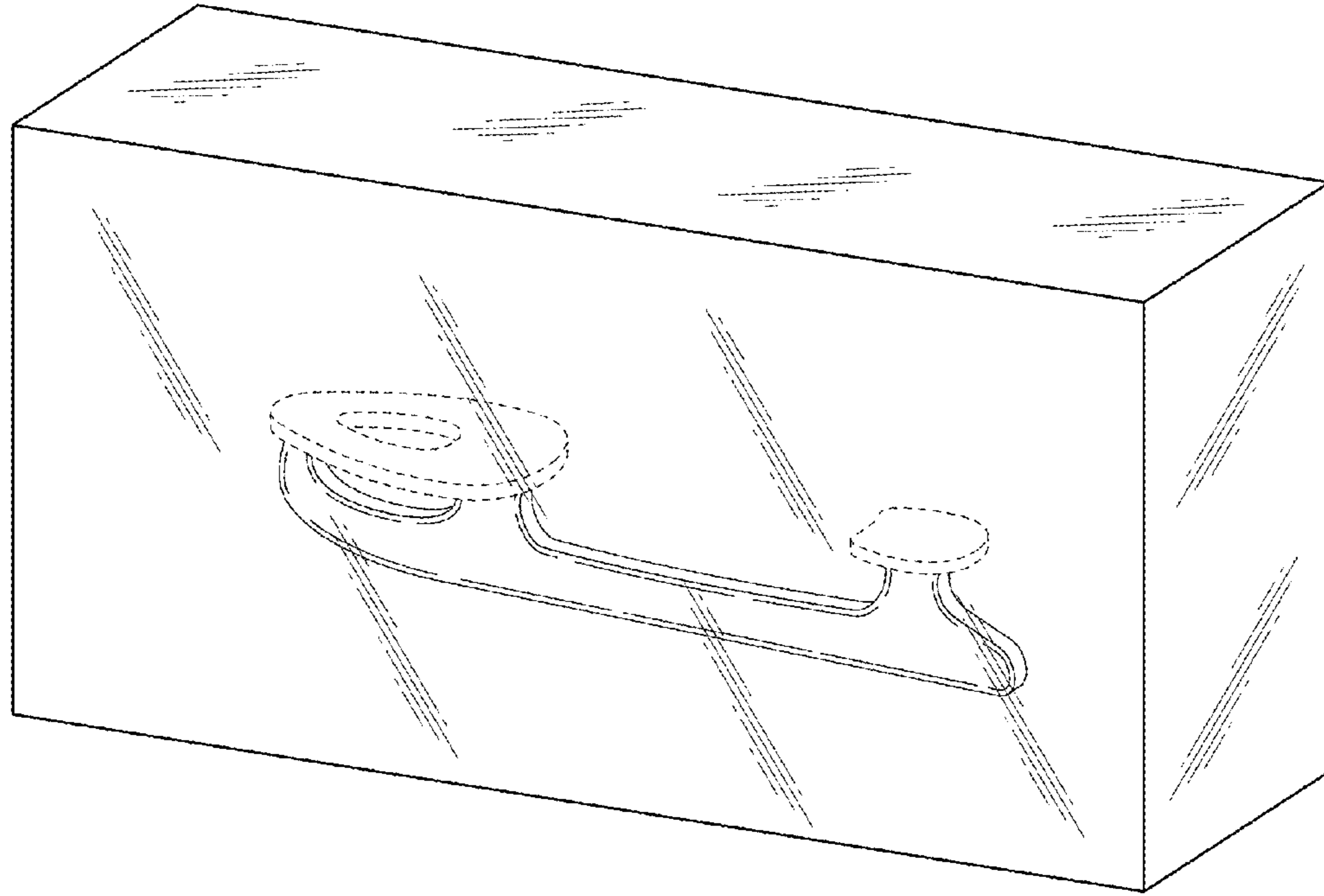


FIG. 1

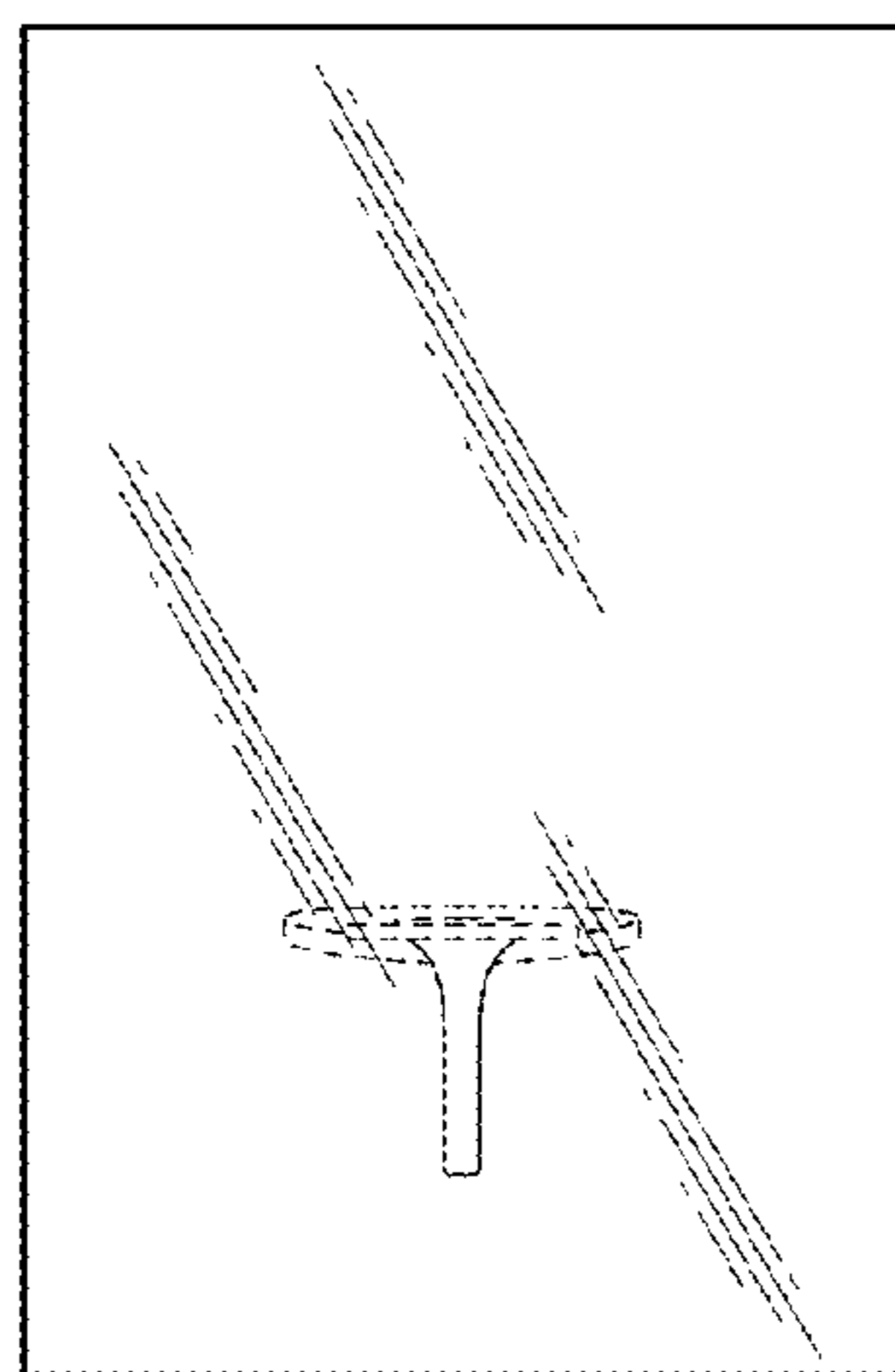


FIG. 2

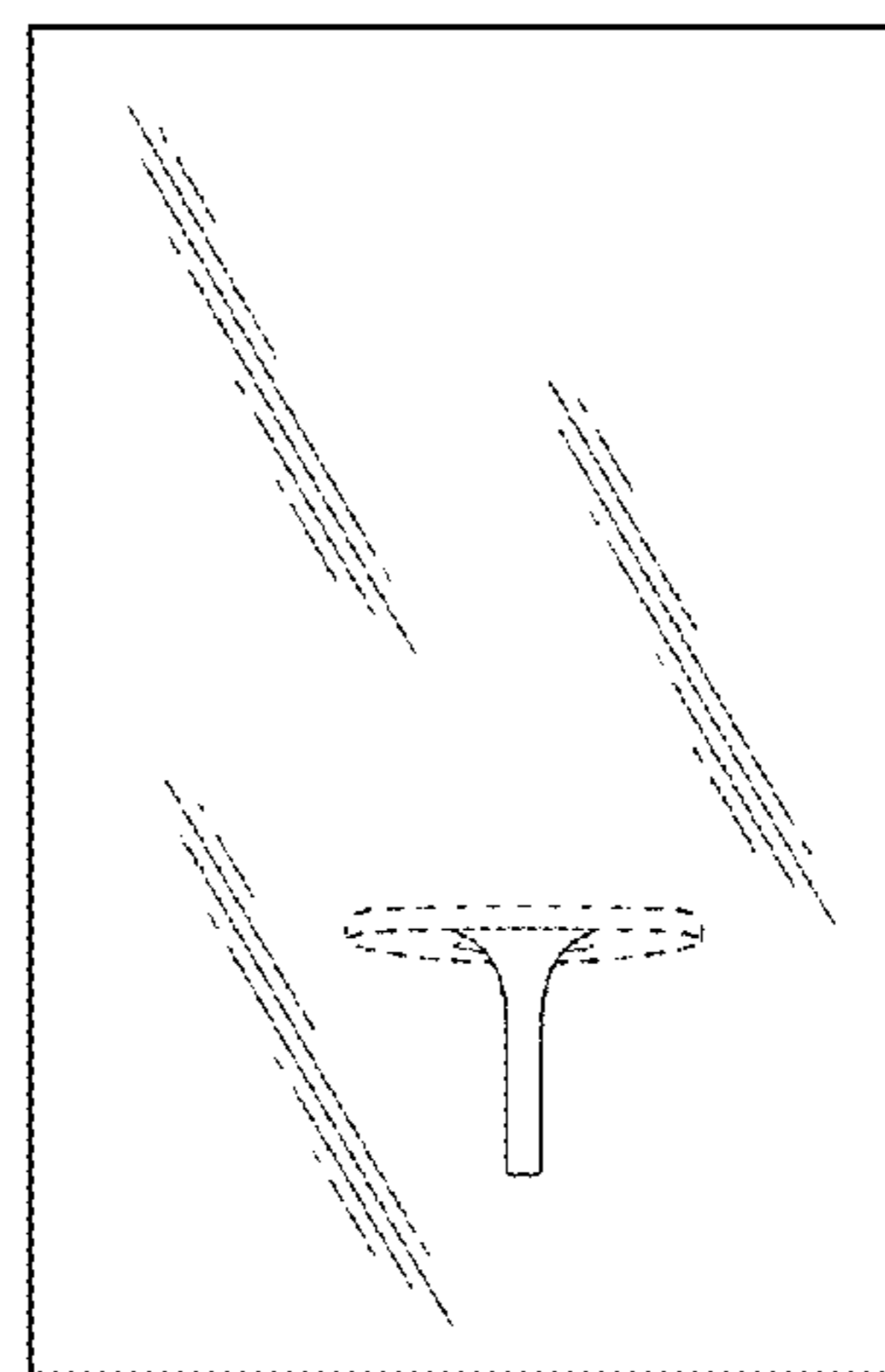


FIG. 3

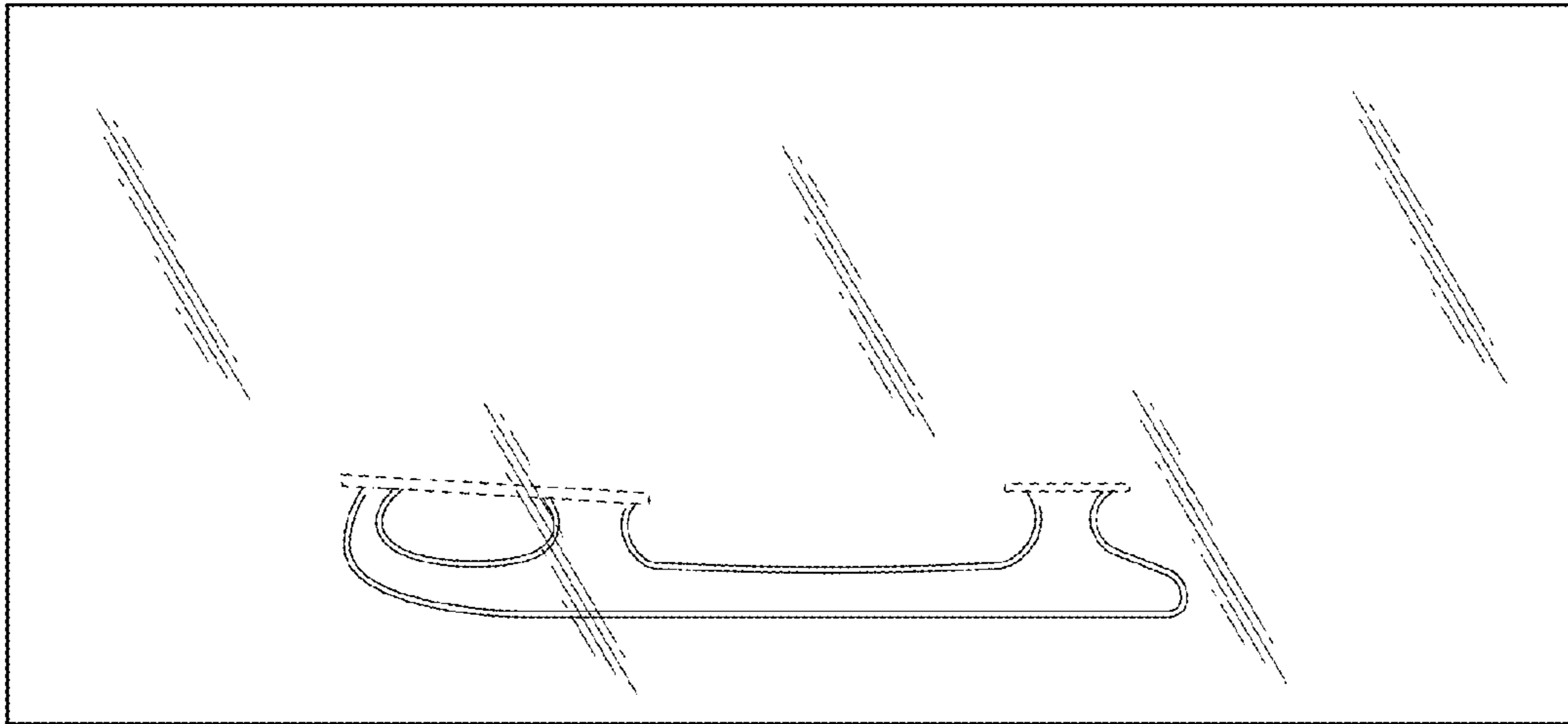


FIG. 4

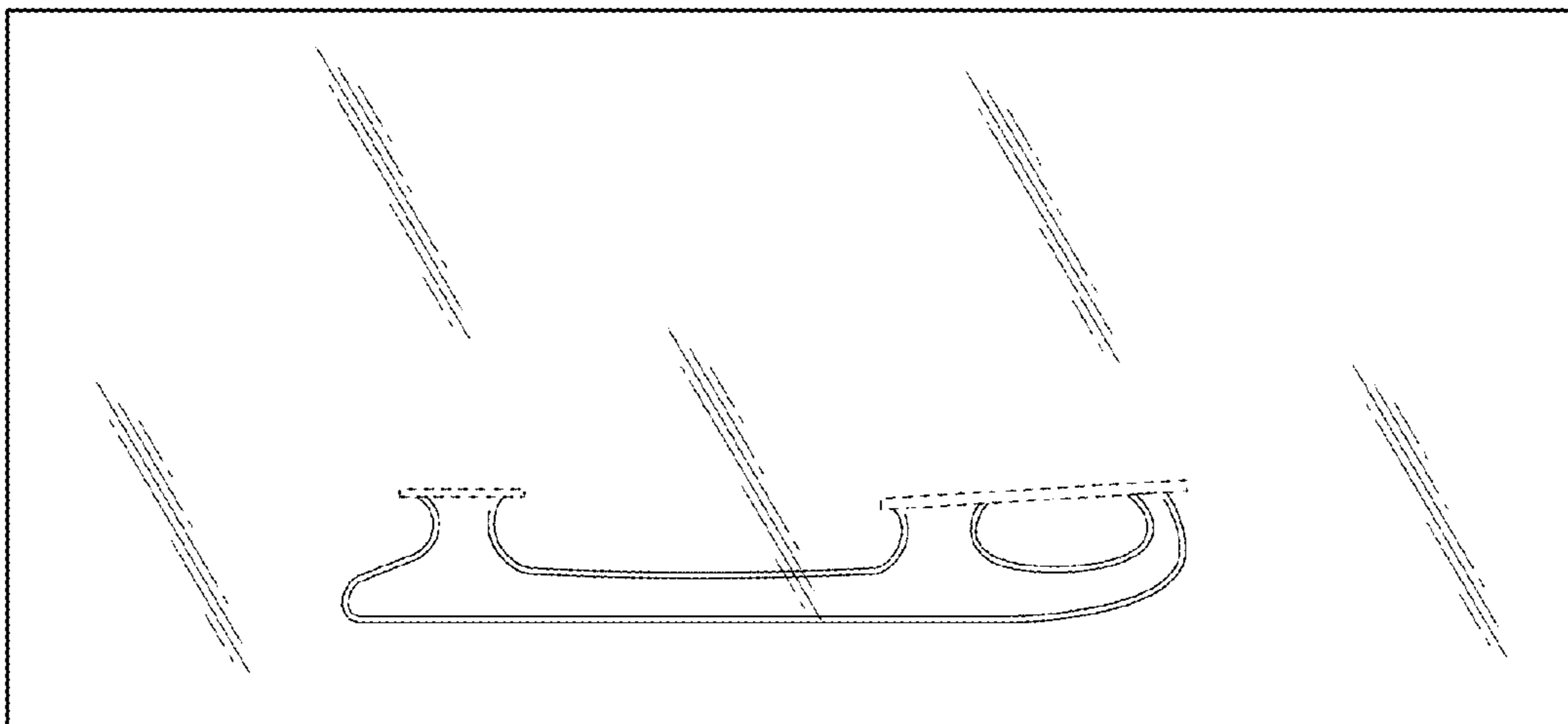


FIG. 5

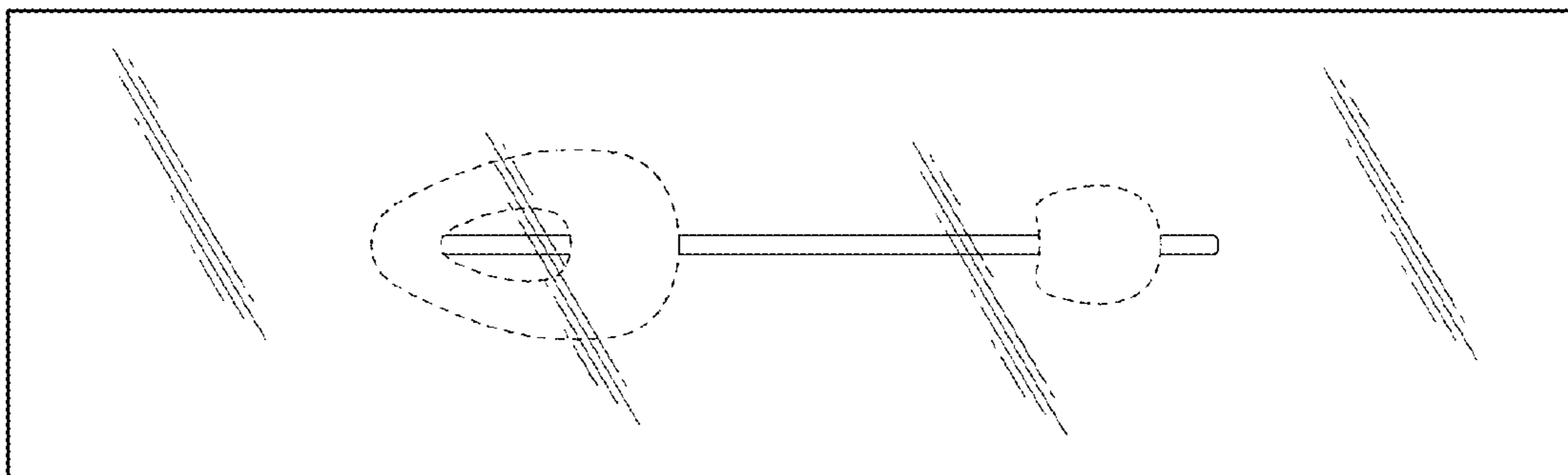


FIG. 6

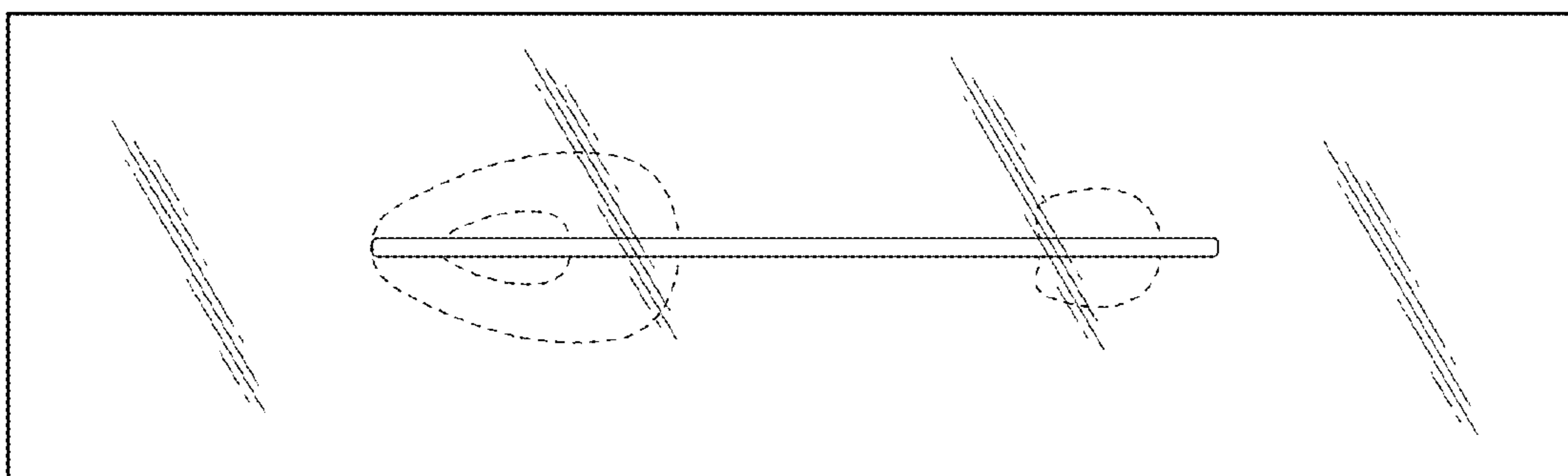


FIG. 7

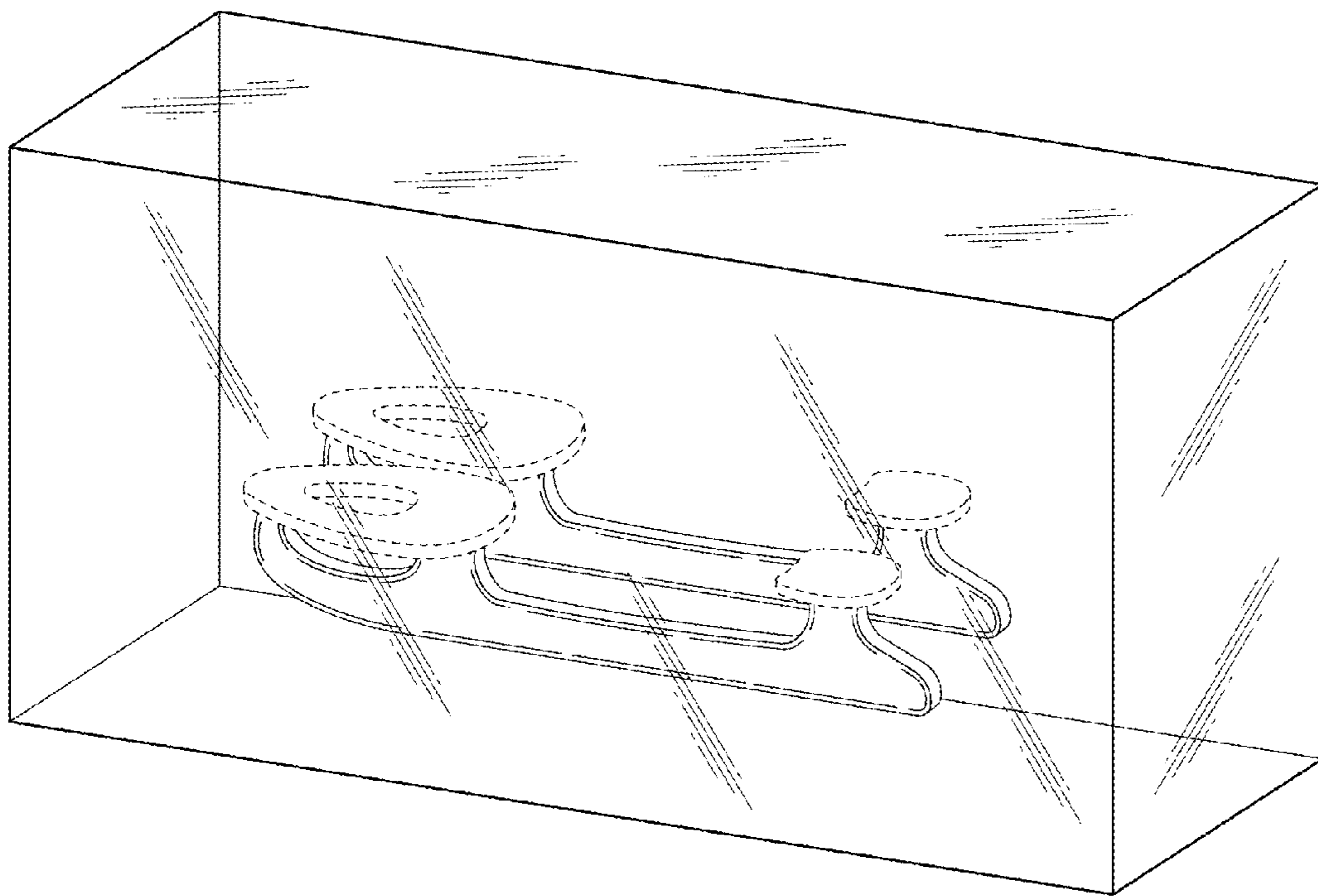


FIG. 8

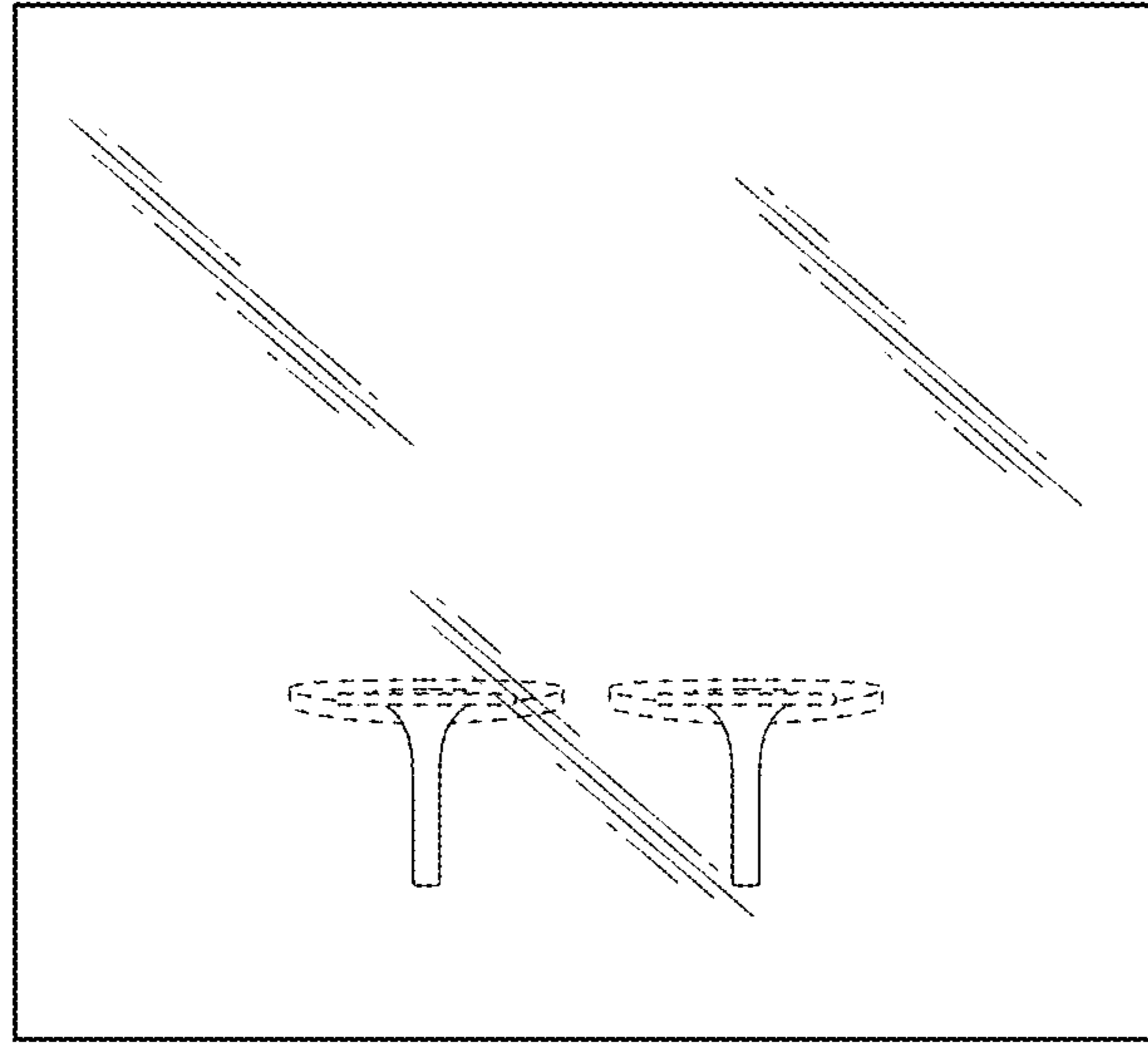


FIG. 9

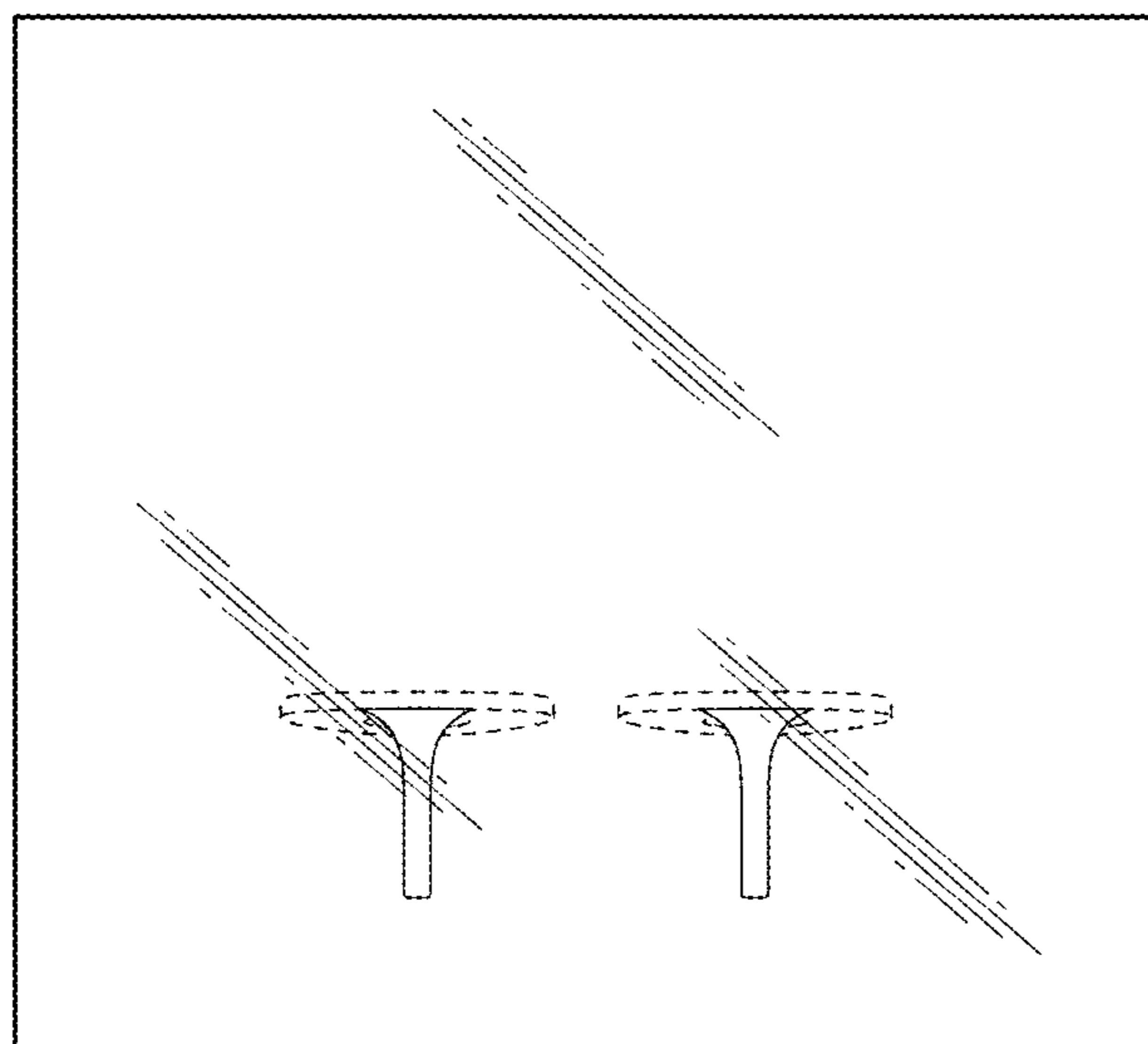


FIG. 10

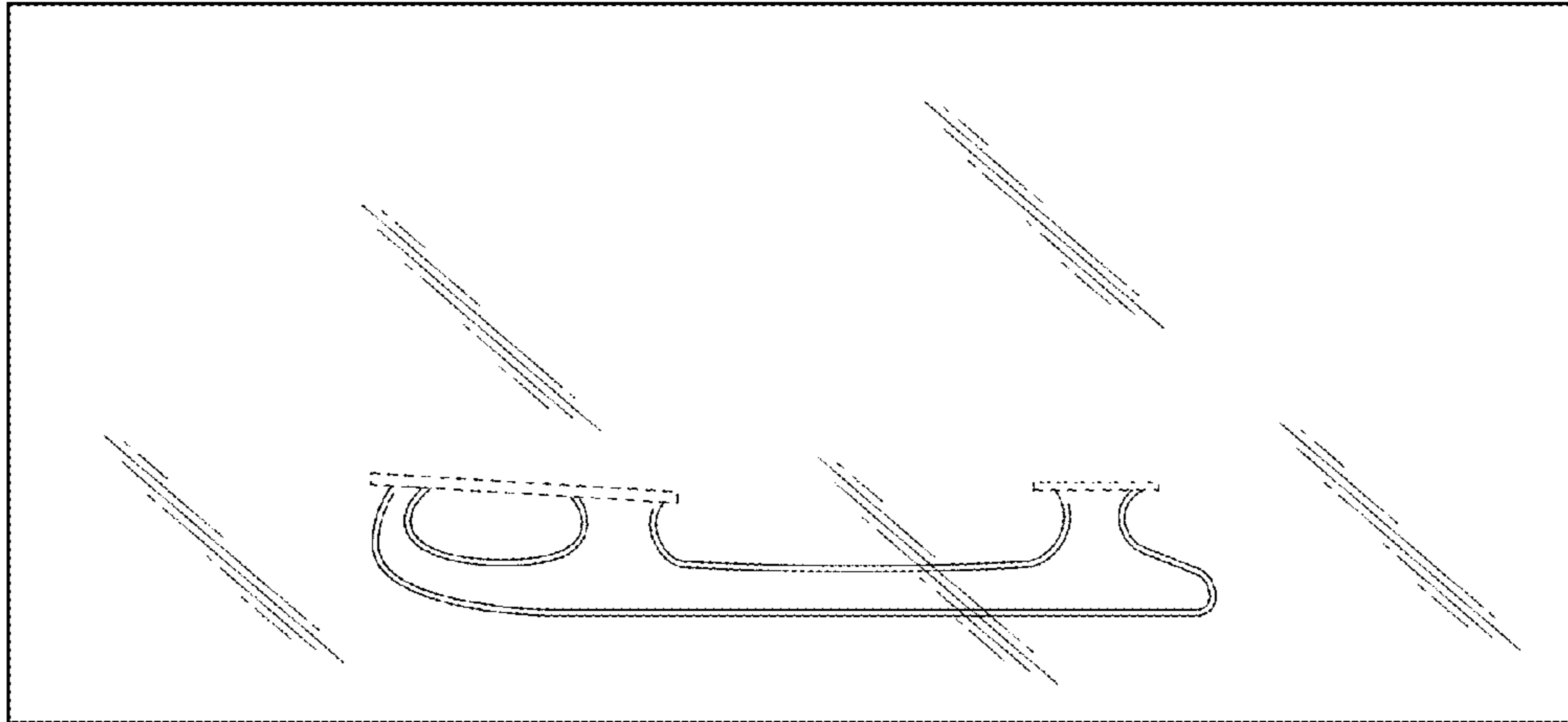


FIG. 11

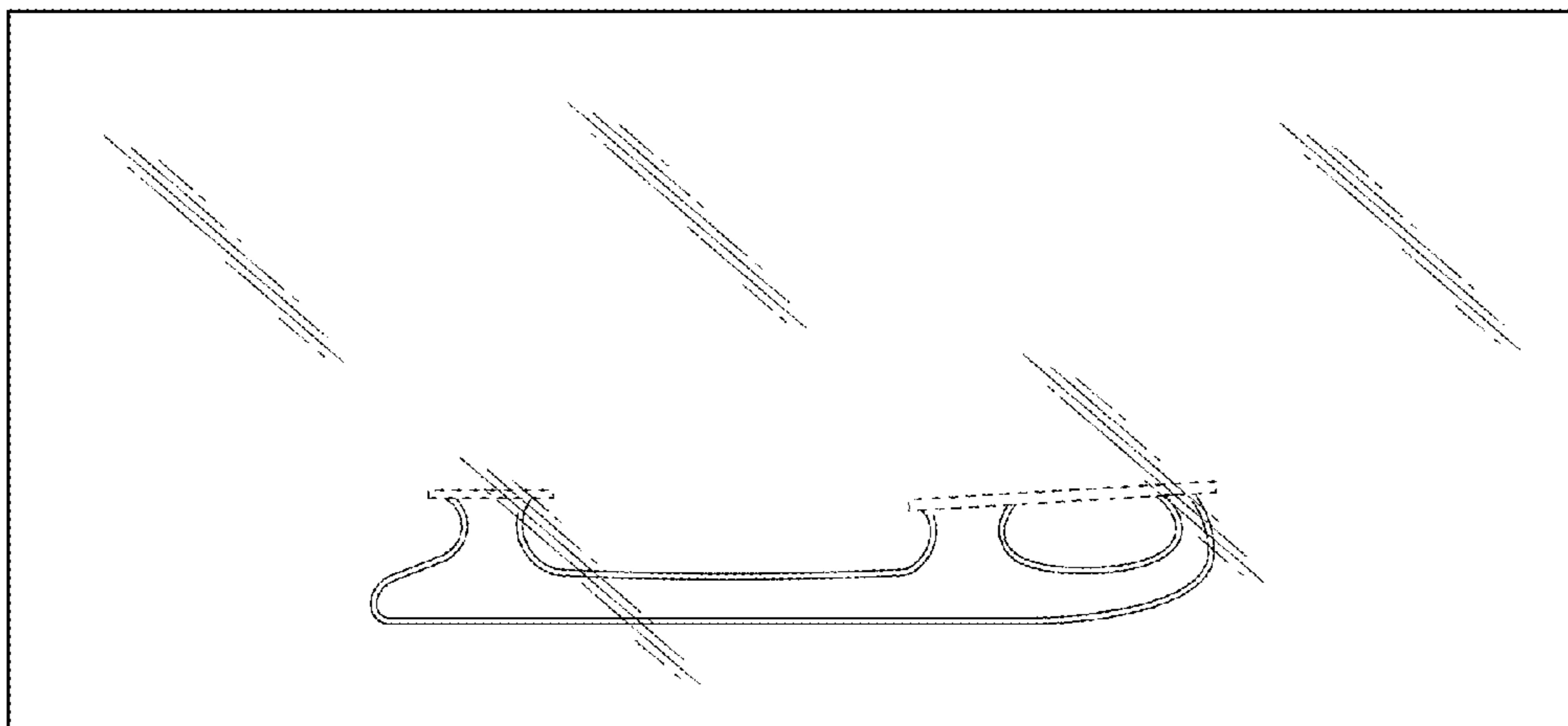


FIG. 12

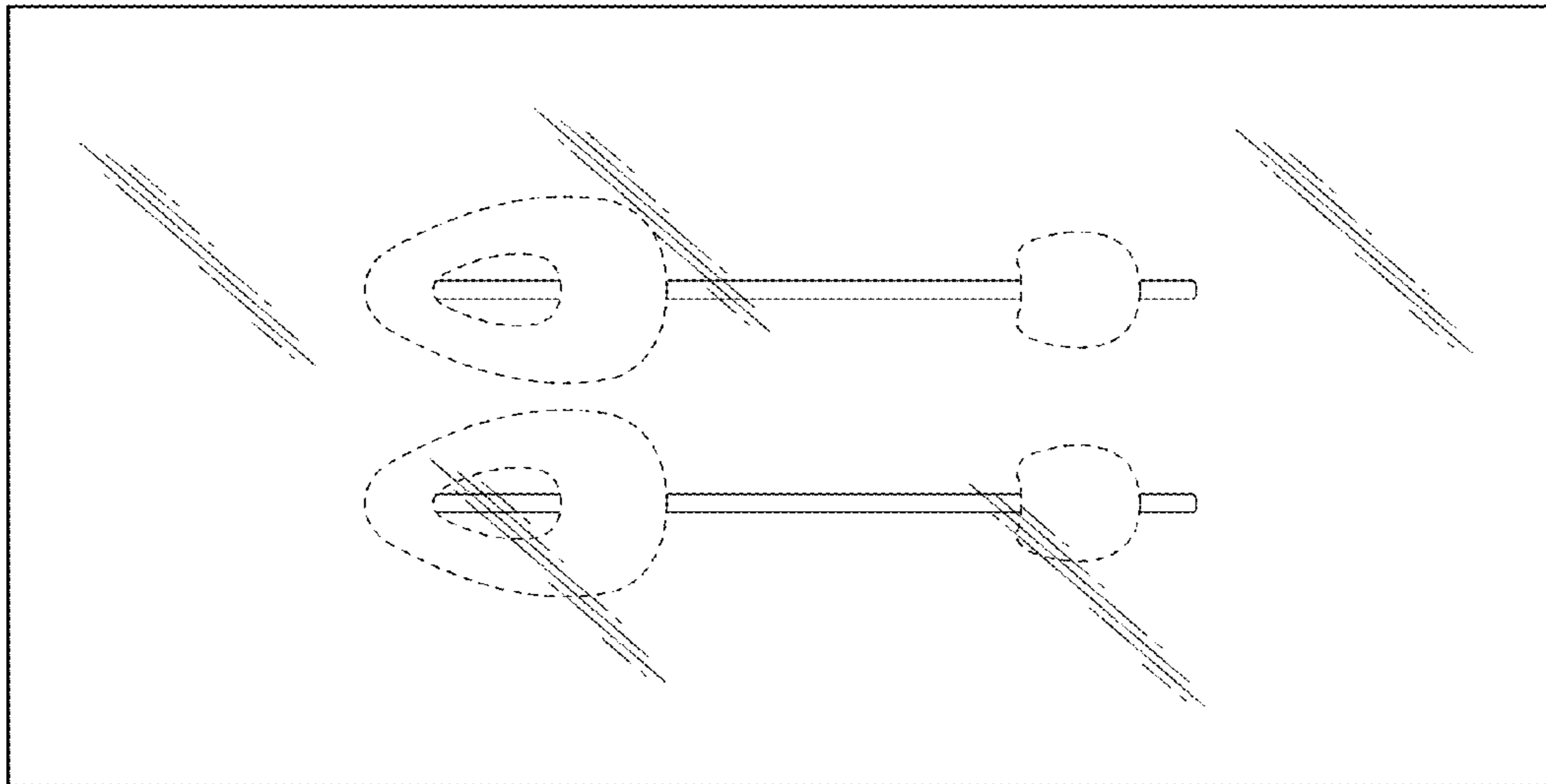


FIG. 13

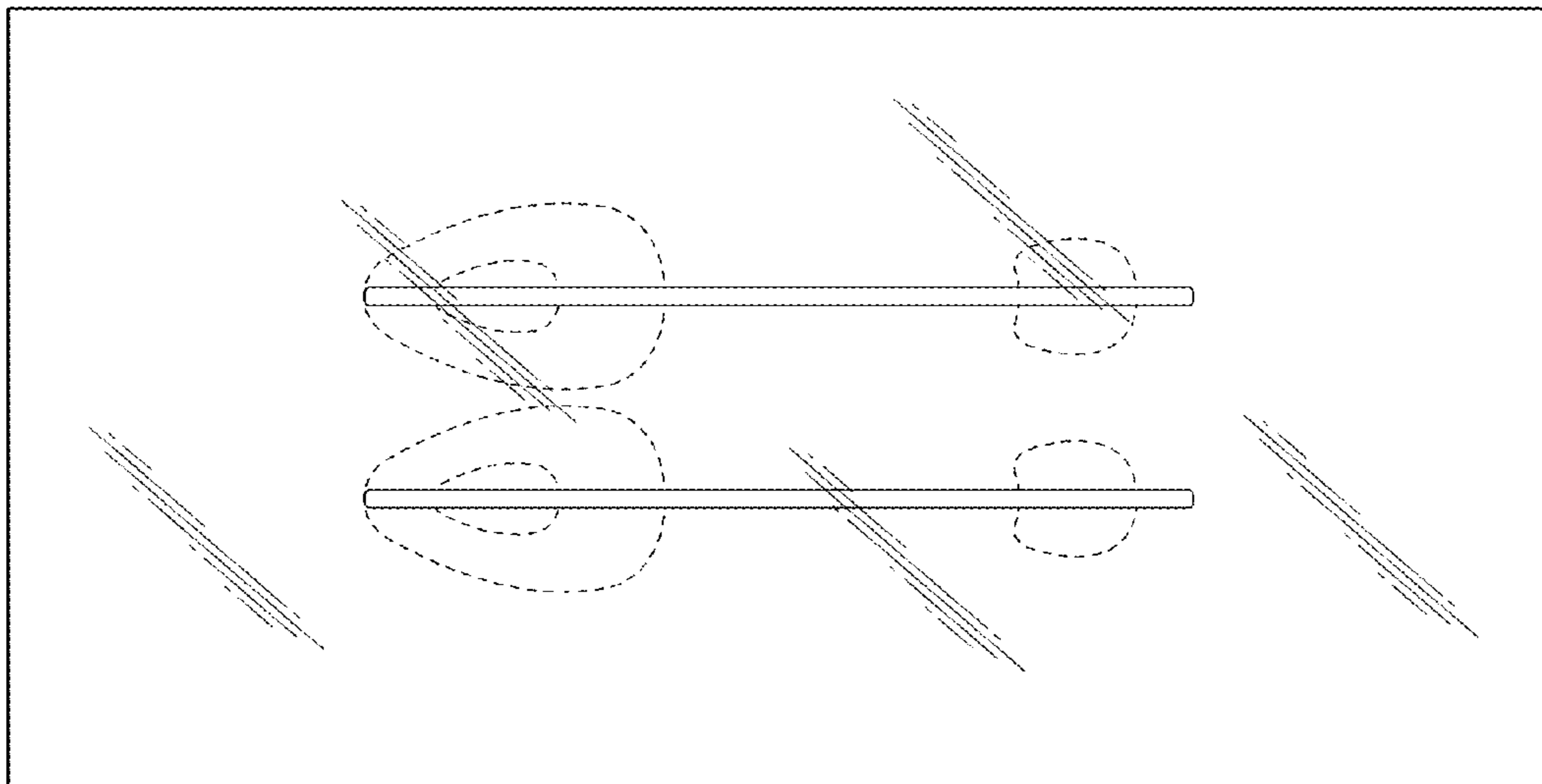


FIG. 14