



US00D736665S

(12) **United States Design Patent**
Nemzer

(10) **Patent No.:** **US D736,665 S**

(45) **Date of Patent:** **** Aug. 18, 2015**

(54) **KESHI PEARL**

(71) Applicant: **Arik Nemzer**, Hod-Hasharon (IL)

(72) Inventor: **Arik Nemzer**, Hod-Hasharon (IL)

(**) Term: **14 Years**

(21) Appl. No.: **29/491,799**

(22) Filed: **May 23, 2014**

Related U.S. Application Data

(63) Continuation-in-part of application No. 29/401,031, filed on Sep. 6, 2011, now abandoned.

(51) **LOC (10) Cl.** **11-01**

(52) **U.S. Cl.**
USPC **D11/79**

(58) **Field of Classification Search**
USPC D11/1-9, 79-87, 91, 92, 40-42;
63/1.11, 13, 20, 23, 26-28, 32
CPC A44C 1/00; A44C 15/005; A44C 15/0055;
A44C 15/006; A44C 15/0065; A44C 15/007;
A44C 17/02; A44C 25/00; A44C 25/001;
A44C 25/007
See application file for complete search history.

(56) **References Cited**

U.S. PATENT DOCUMENTS

899,516 A	9/1908	Dover	
D159,410 S	7/1950	Frackman	
D273,371 S	4/1984	Bulgari	
5,177,984 A	1/1993	Arata	
D397,638 S	9/1998	Shenhav	
D467,193 S	* 12/2002	Jongsoonthornthurakit ..	D11/79
D505,636 S	* 5/2005	Bisceglie	D11/79
D518,750 S	4/2006	Lawlor et al.	
D526,592 S	8/2006	Crawford	
D551,115 S	9/2007	Azrielant	
D626,878 S	* 11/2010	Hardy	D11/79
D631,772 S	2/2011	Gomersall	
D654,822 S	2/2012	Greppi	

D658,532 S	5/2012	Papadimitriou	
D695,643 S	* 12/2013	Wolff	D11/79
D725,537 S	* 3/2015	Wellendorff	D11/79

OTHER PUBLICATIONS

[Online] <https://s-media-cache-ak0.pinimg.com/236x/21/5f/2e/215f2ef74779f9ddac8c31396c38eb2d.jpg>. Retrieved Apr. 16, 2015.*

(Continued)

Primary Examiner — Garth Rademaker

Assistant Examiner — Melanie Pellegrini

(74) *Attorney, Agent, or Firm* — Novak Druce Connolly Bove + Quigg LLP

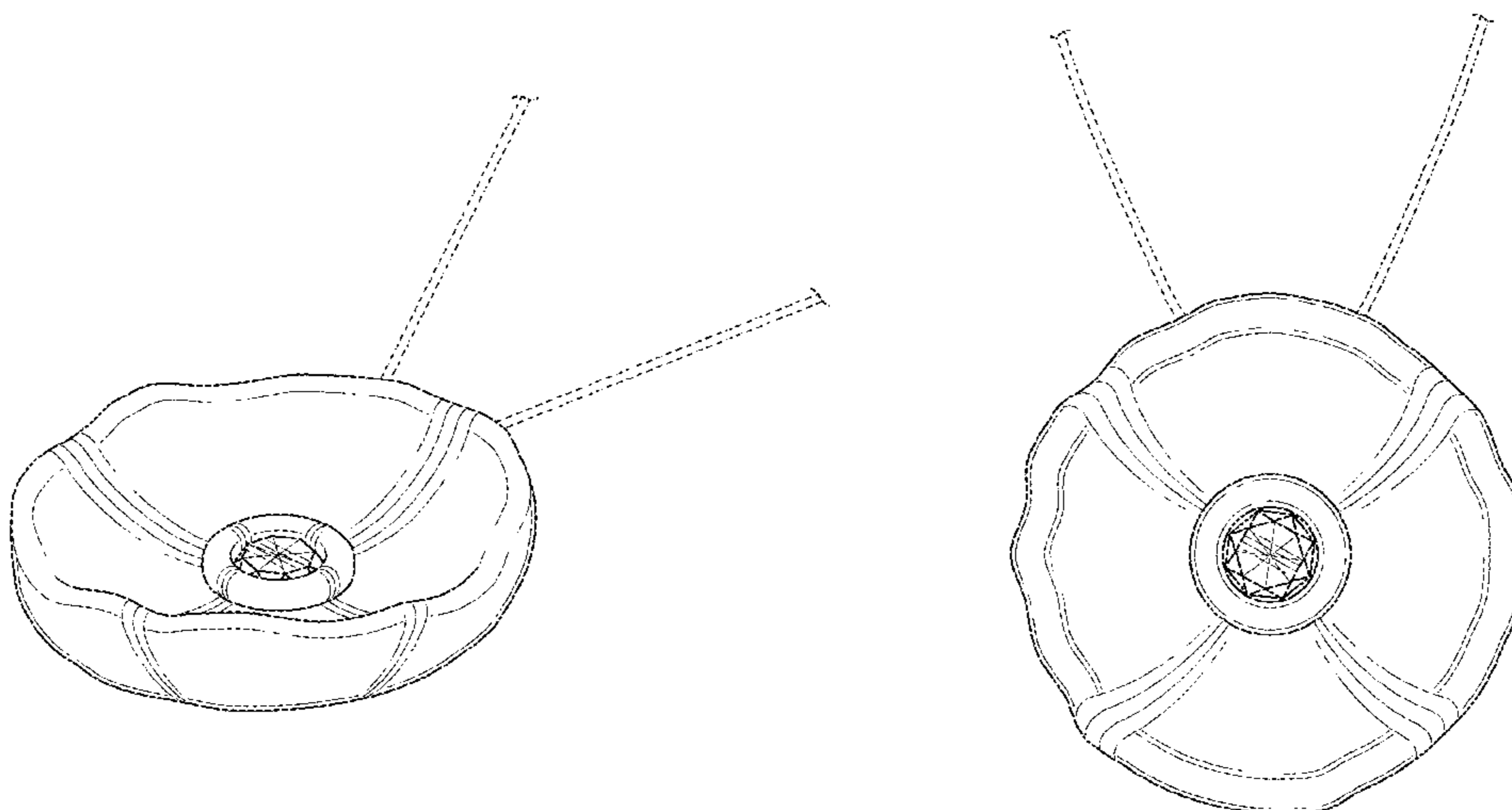
(57) **CLAIM**

I claim the ornamental design for a keshi pearl, as shown and described.

DESCRIPTION

FIG. 1 is a front perspective view of a first embodiment of a keshi pearl;
FIG. 2 is an alternate perspective view thereof;
FIG. 3 is a front elevational view thereof;
FIG. 4 is a rear elevational view thereof;
FIG. 5 is a left-side elevational view thereof;
FIG. 6 is a right-side elevational view thereof;
FIG. 7 is a top plan view thereof;
FIG. 8 is a bottom plan view thereof; and
FIG. 9 is a front perspective view of a second embodiment of the keshi pearl;
FIG. 10 is an alternate perspective view thereof; and,
FIG. 11 is a front elevational view thereof, the remaining views of the second embodiment being the same as those of the first embodiment.
Broken lines are used to illustrate unclaimed portions of the keshi pearl; broken lines form no part of the claimed design.

1 Claim, 9 Drawing Sheets



(56)

References Cited

OTHER PUBLICATIONS

[Online] http://www.tvgoldsmiths.com/uploads/1/2/3/7/12374463/9917810_orig.jpg. Retrieved Apr. 16, 2015.*

[Online] http://www.yvel.com/790-thickbox_default/fresh-water-keshi-pearl-with-diamonds-white-gold-necklace.jpg. Retrieved Apr. 16, 2015.*

[Online] http://img1.etsystatic.com/000/0/5283852/il_fullxfull.234869149.jpg. Accessed Apr. 2, 2013.

[Online] http://www.fireandice.com/images/T/4124295_a-Sterling-silver-white-pink-black-keshi-pearl-cluster-necklace-01.jpg. Accessed Apr. 2, 2013.

[Online] http://img0.etsystatic.com/000/0/5965683/il_340x270.301315708.jpg. Accessed Apr. 2, 2013.

* cited by examiner



FIG. 1

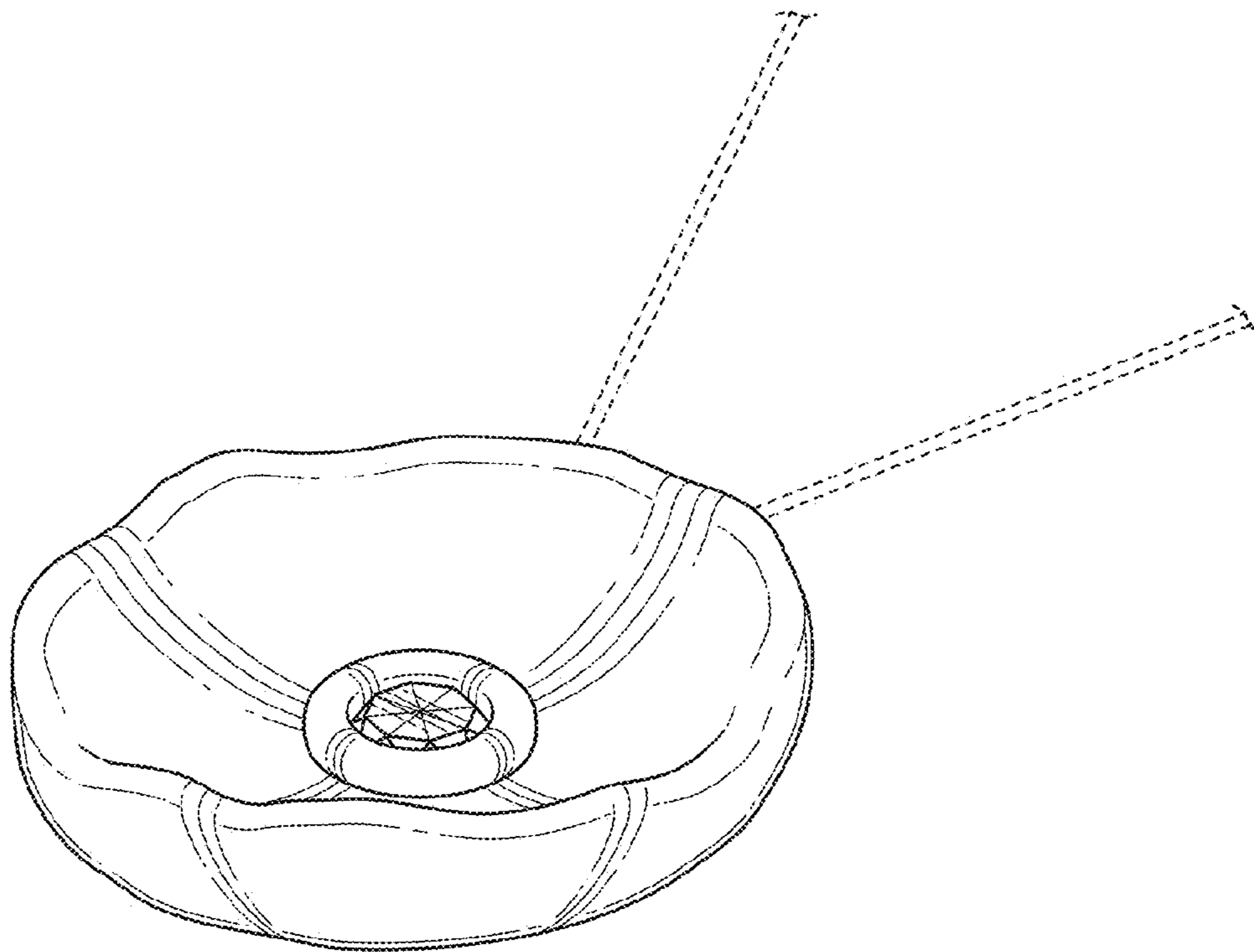


FIG. 2

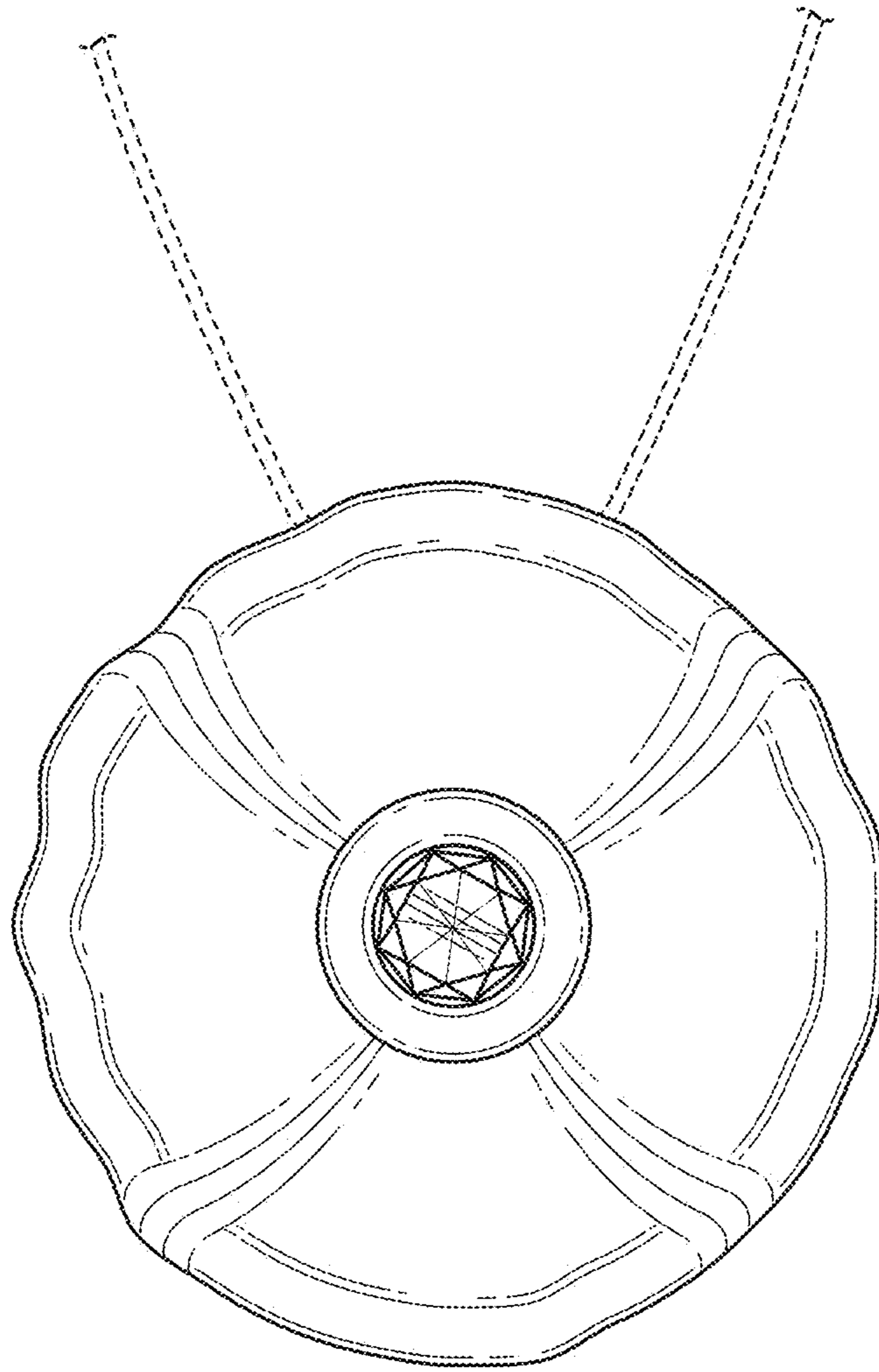


FIG. 3

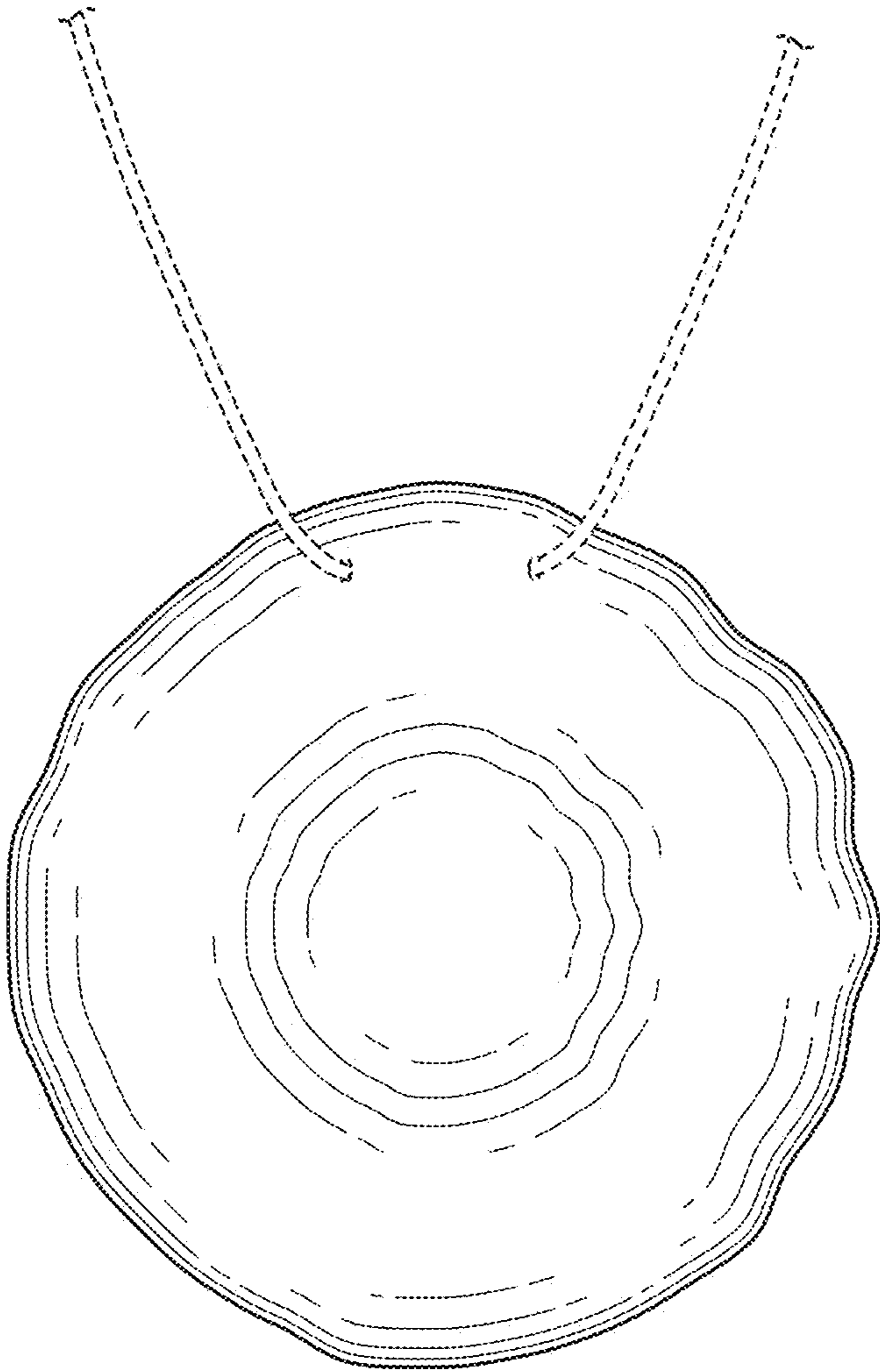


FIG. 4

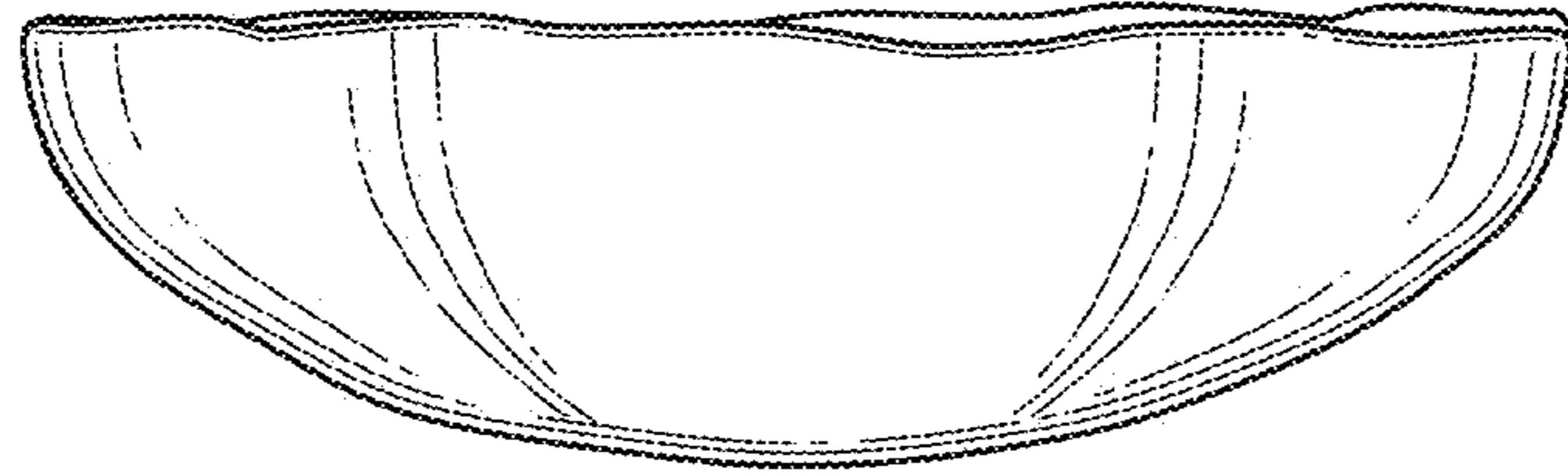


FIG. 5

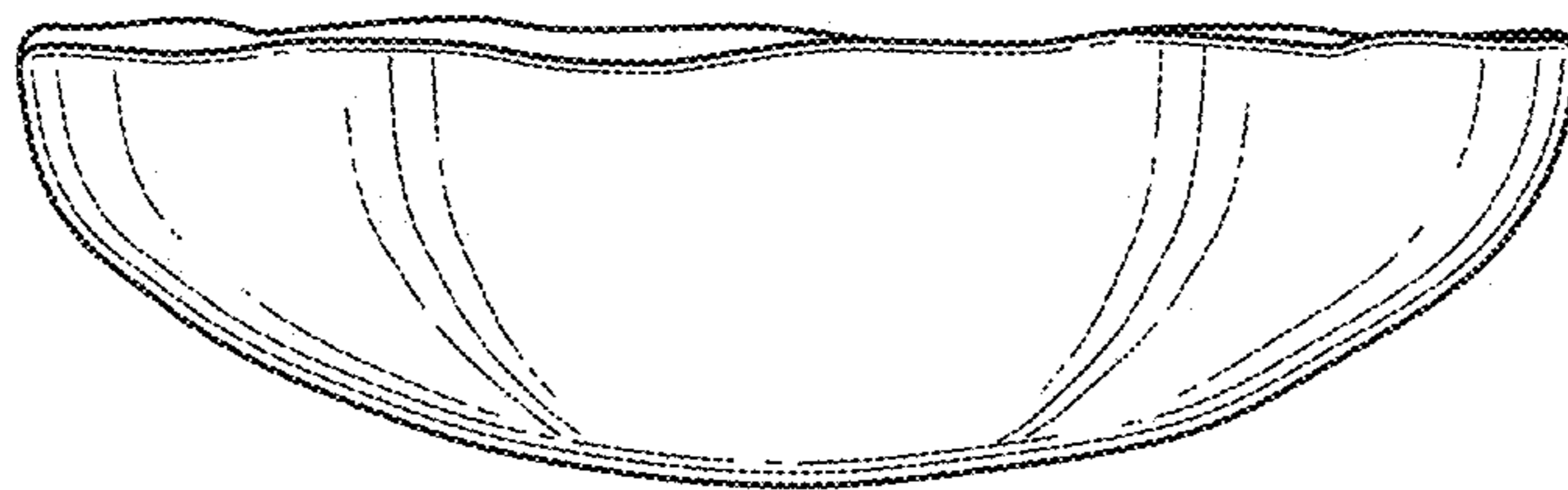


FIG. 6

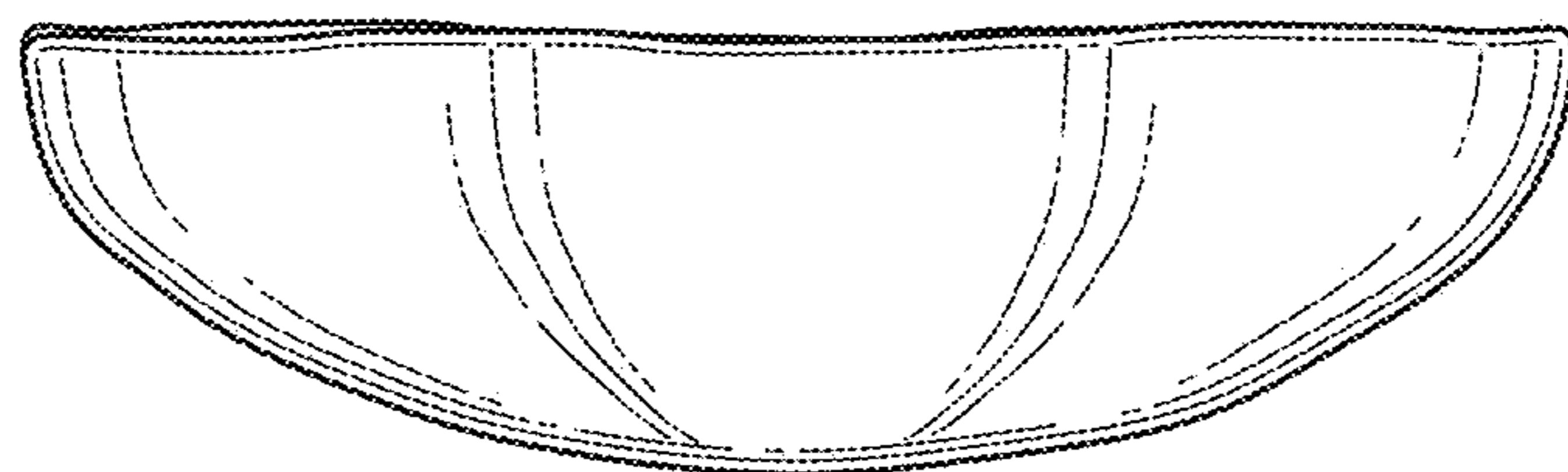


FIG. 7

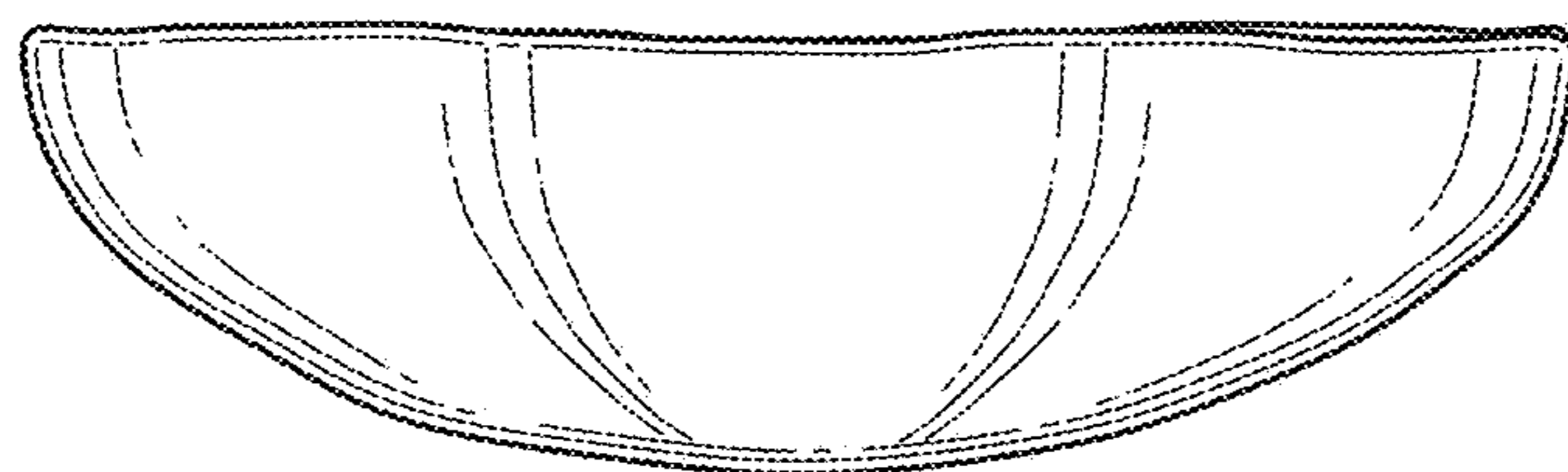


FIG. 8

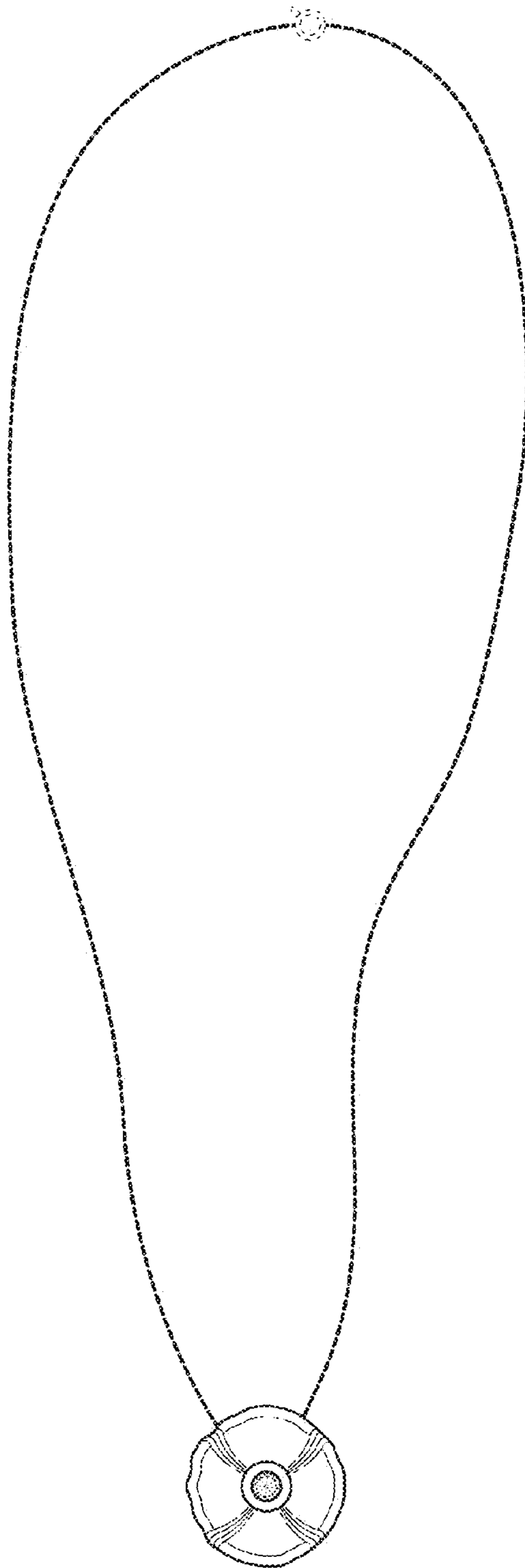


FIG. 9

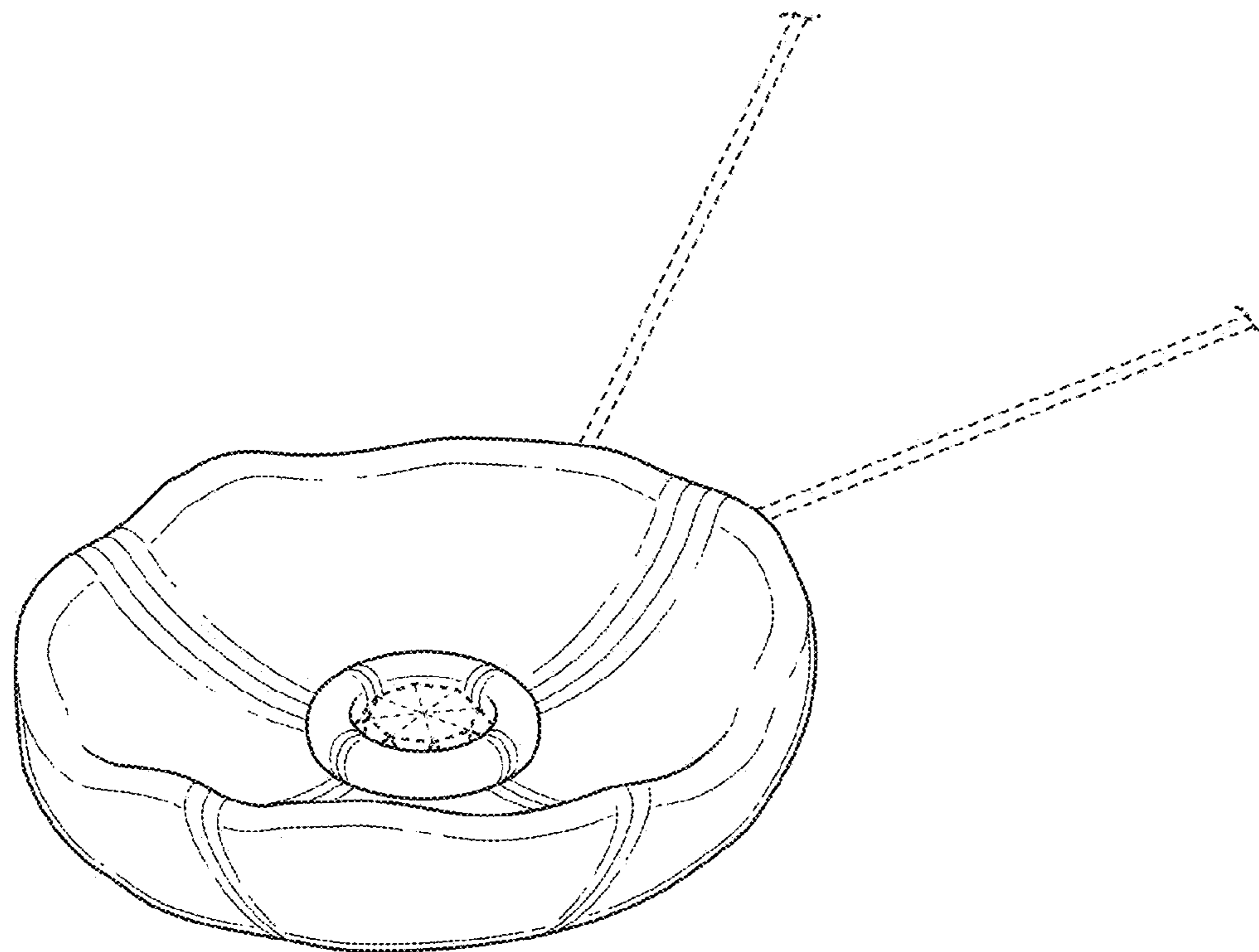


FIG. 10

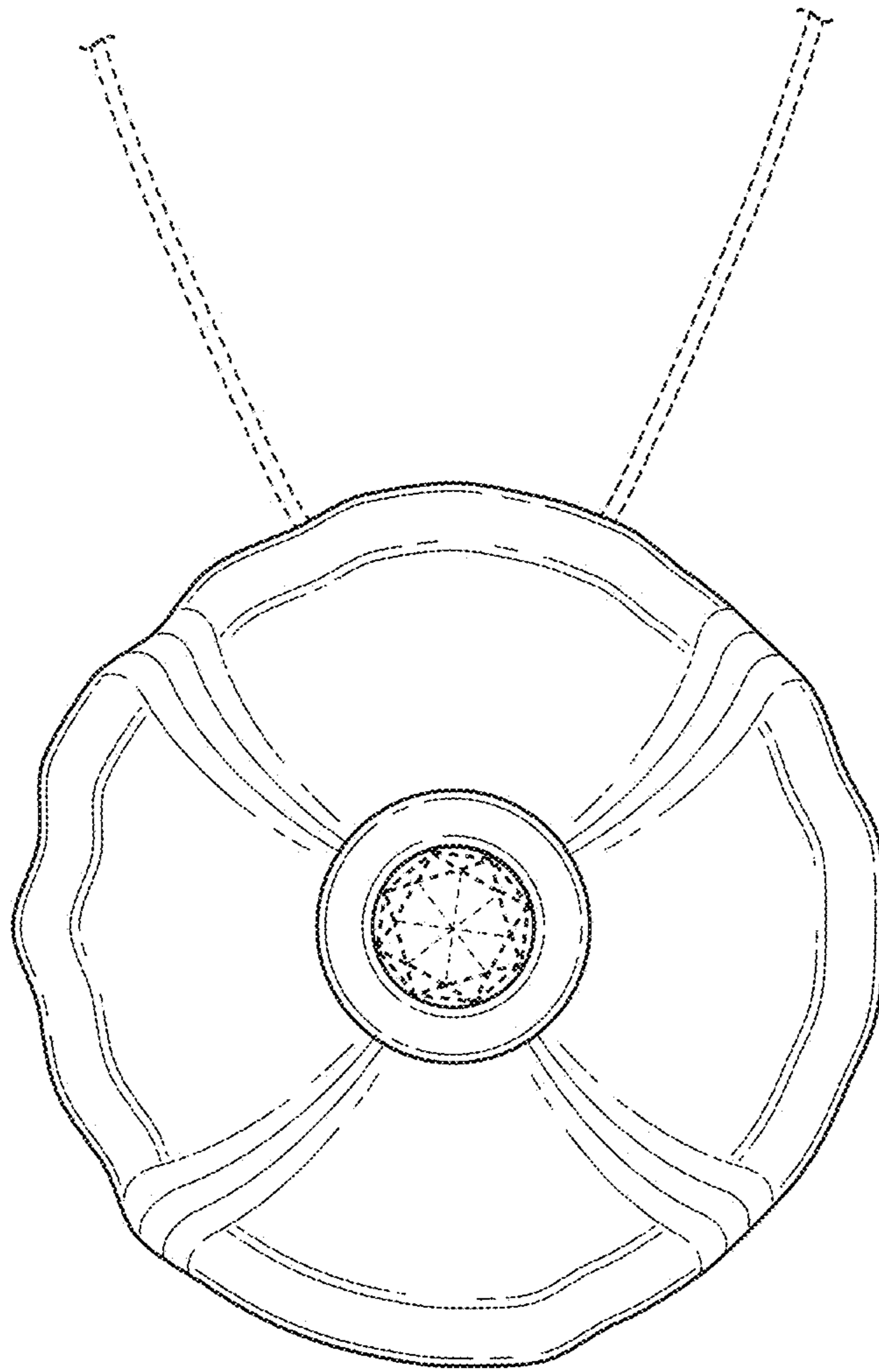


FIG. 11