



US00D736662S

(12) **United States Design Patent**
Hata

(10) **Patent No.:** **US D736,662 S**

(45) **Date of Patent:** **** Aug. 18, 2015**

(54) **PRESSURE GAUGE**

(71) Applicant: **Anest Iwata Corporation**, Yokohama,
Kanagawa-ken (JP)

(72) Inventor: **Takayuki Hata**, Yokohama (JP)

(73) Assignee: **Anest Iwata Corporation**, Yokohama
(JP)

(**) Term: **14 Years**

(21) Appl. No.: **29/495,050**

(22) Filed: **Jun. 26, 2014**

(30) **Foreign Application Priority Data**

Dec. 27, 2013 (JP) 2013-030703

(51) **LOC (10) Cl.** **10-04**

(52) **U.S. Cl.**
USPC **D10/85**

(58) **Field of Classification Search**
USPC D10/83-85
CPC B60C 23/0408; B60C 23/0494; G01L 7/043;
G01L 7/00-7/24; G01L 13/00-13/06; G01L
15/00; G01L 17/00-17/005; G01L
19/00-19/16; G01L 23/00-23/32; G01L
27/00-23/02

See application file for complete search history.

(56) **References Cited**

U.S. PATENT DOCUMENTS

D311,437 S * 10/1990 Datta et al. D23/233
D378,283 S * 3/1997 Diehl D10/85
8,387,656 B2 3/2013 Davies et al.
2005/0127201 A1 6/2005 Matsumoto

FOREIGN PATENT DOCUMENTS

WO 2007127110 A1 11/2007

* cited by examiner

Primary Examiner — Antoine D Davis

(74) *Attorney, Agent, or Firm* — Flaster/Greenberg P.C.

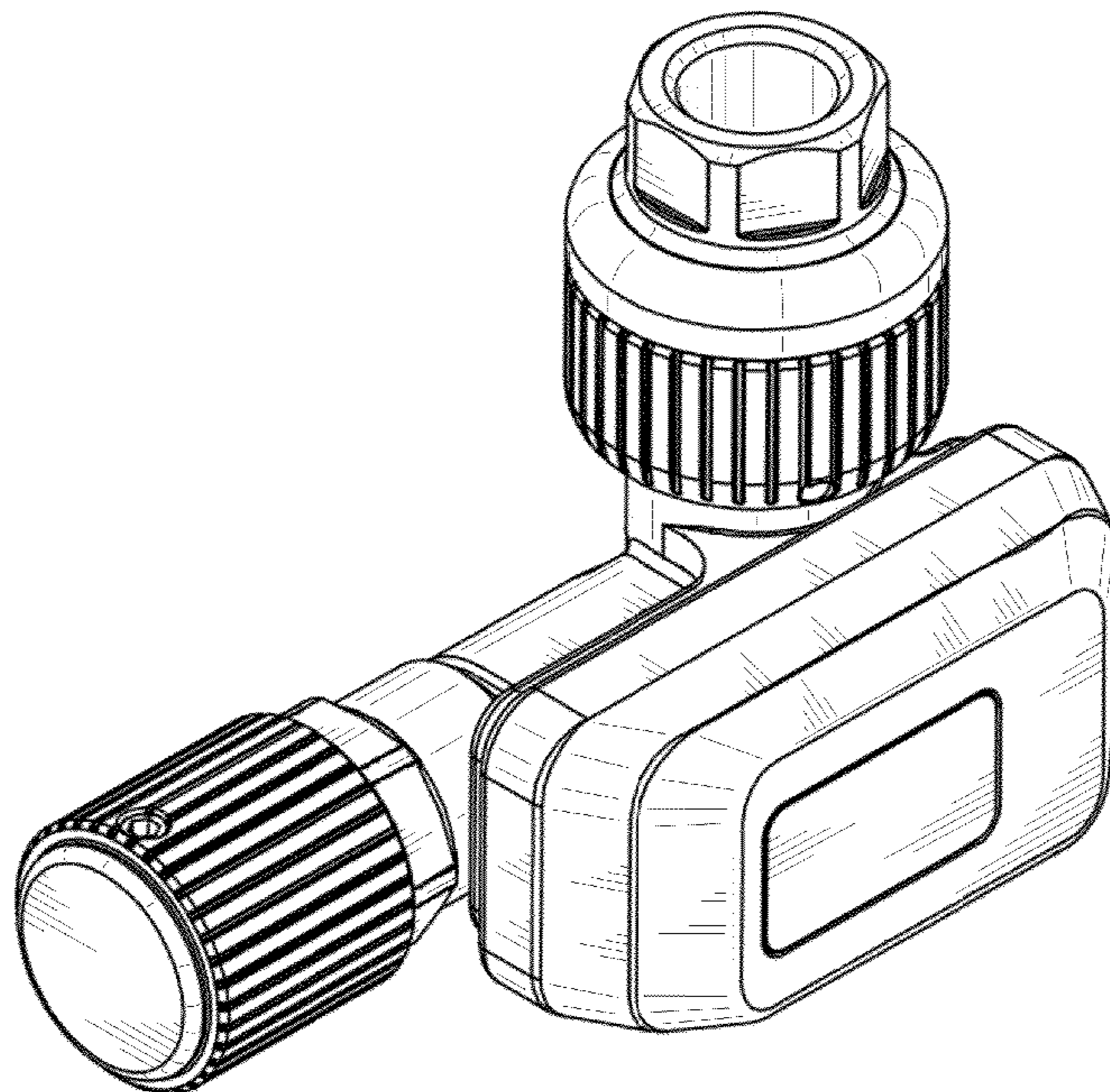
(57) **CLAIM**

The ornamental design for a pressure gauge, as shown and described.

DESCRIPTION

FIG. 1 is a top perspective view of an embodiment of a pressure gauge showing a new design;
FIG. 2 is a top plan view of the pressure gauge of FIG. 1, with the broken lines shown therein forming no part of the claimed design;
FIG. 3 is a bottom plan view of the pressure gauge of FIG. 1;
FIG. 4 is a rear elevation of the pressure gauge of FIG. 1;
FIG. 5 is a front elevation of the pressure gauge of FIG. 1;
FIG. 6 is a left side elevation of the pressure gauge of FIG. 1; and
FIG. 7 is a right side elevation of the pressure gauge of FIG. 1; and,
FIG. 8 is a side view of the pressure gauge of FIG. 1 attached to a spray gun, shown in broken lines, presenting a typical environment of the new design. The broken lines form no part of the claimed design.

1 Claim, 8 Drawing Sheets



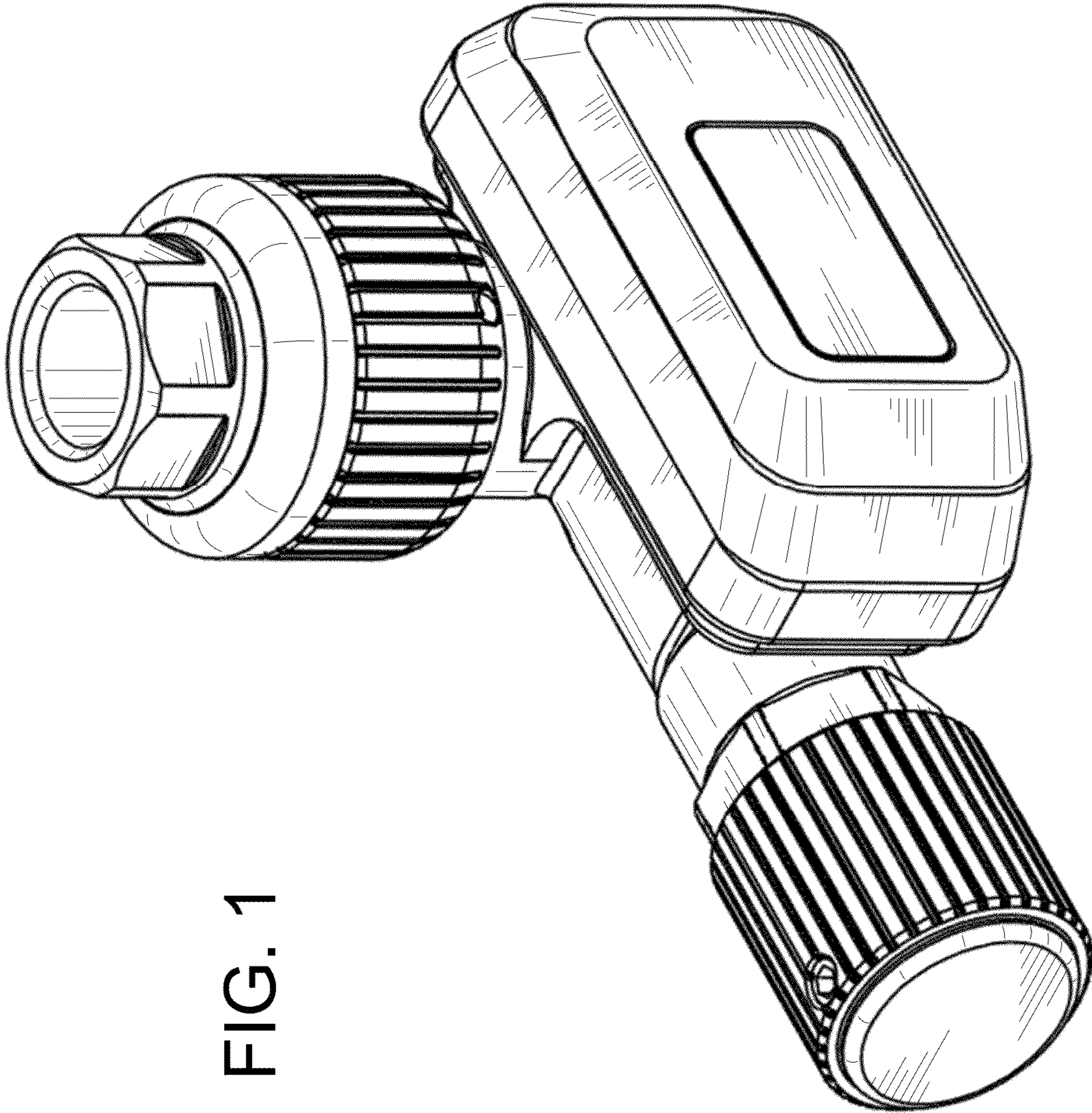


FIG. 1

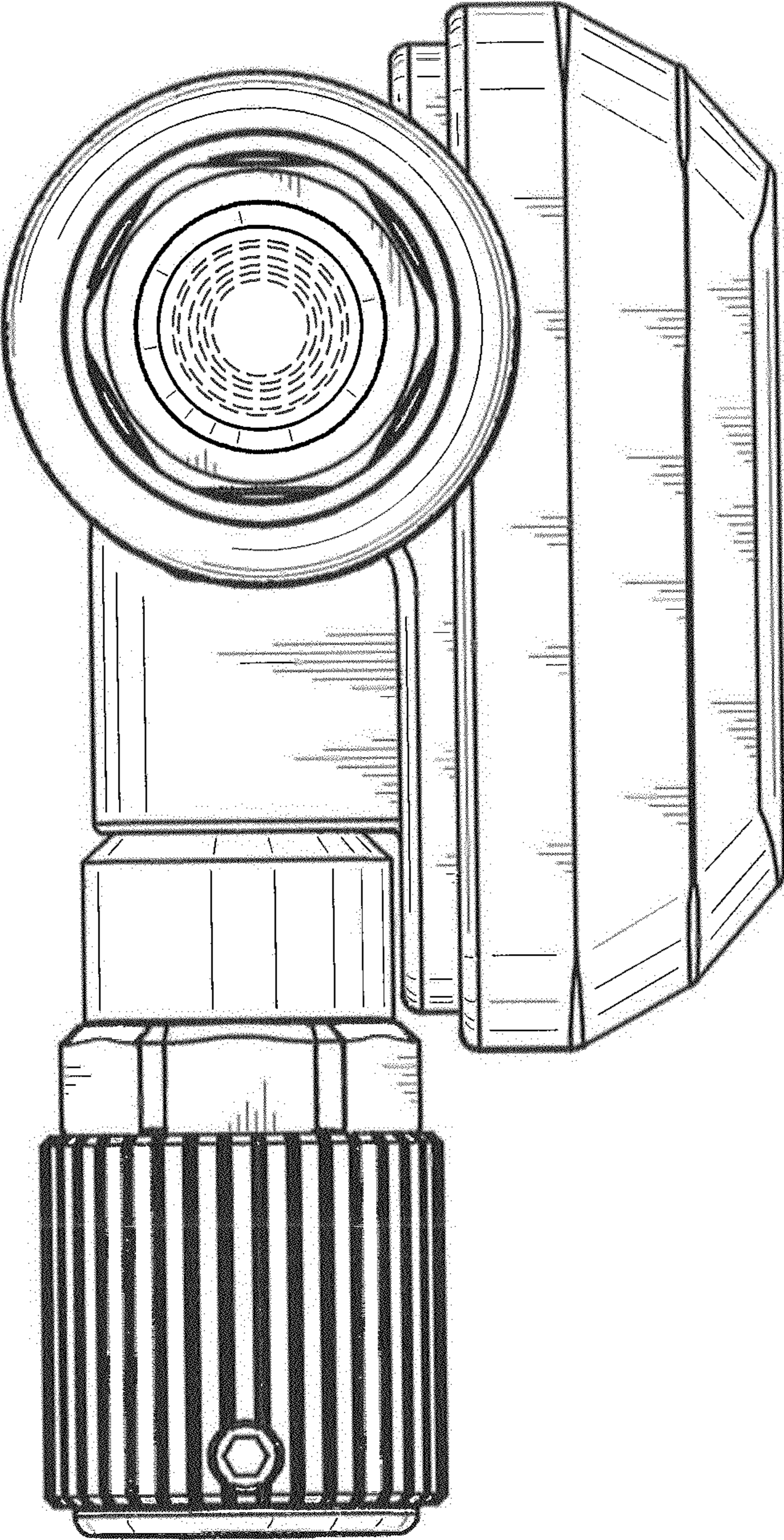


FIG. 2

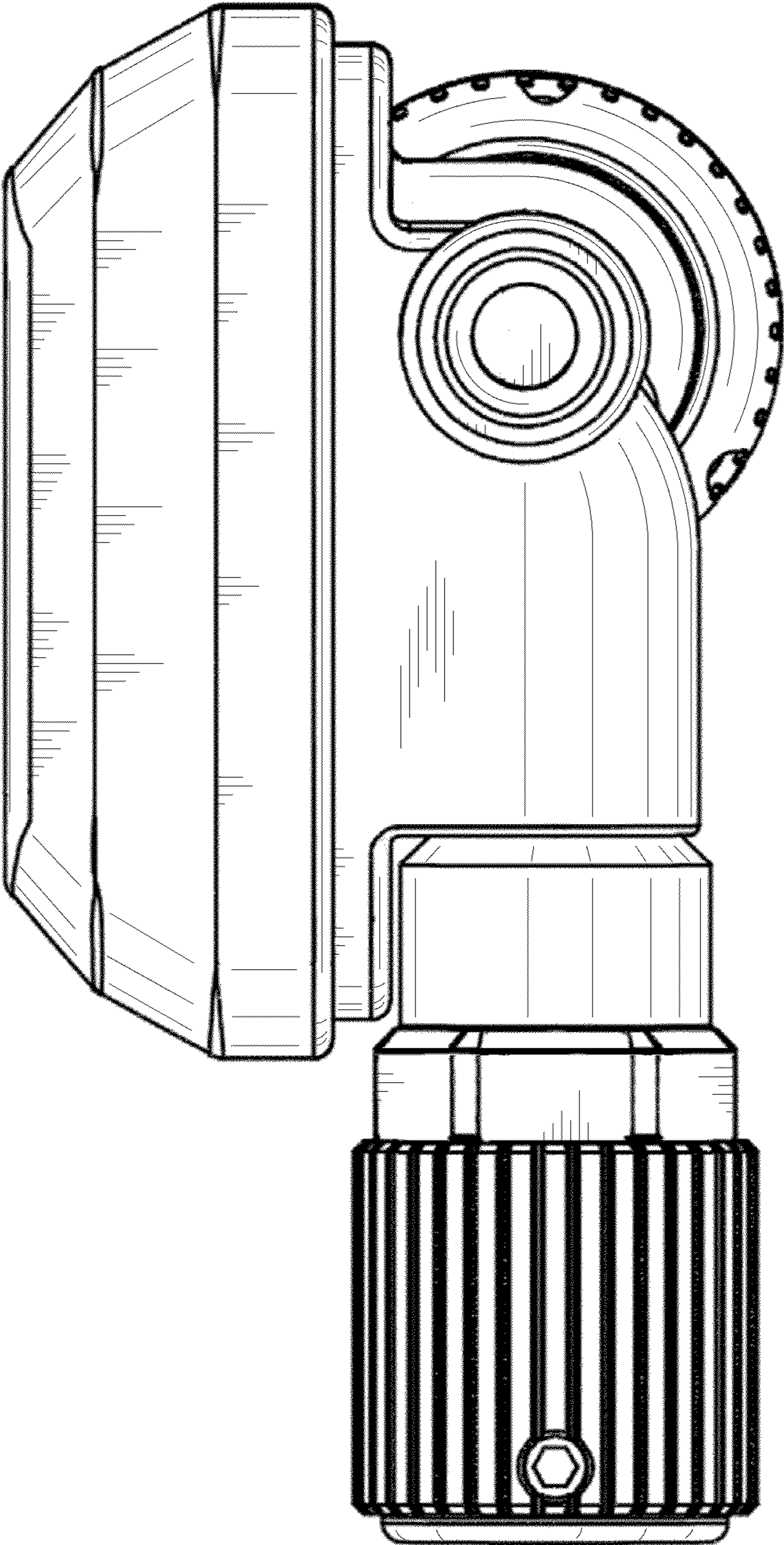


FIG. 3

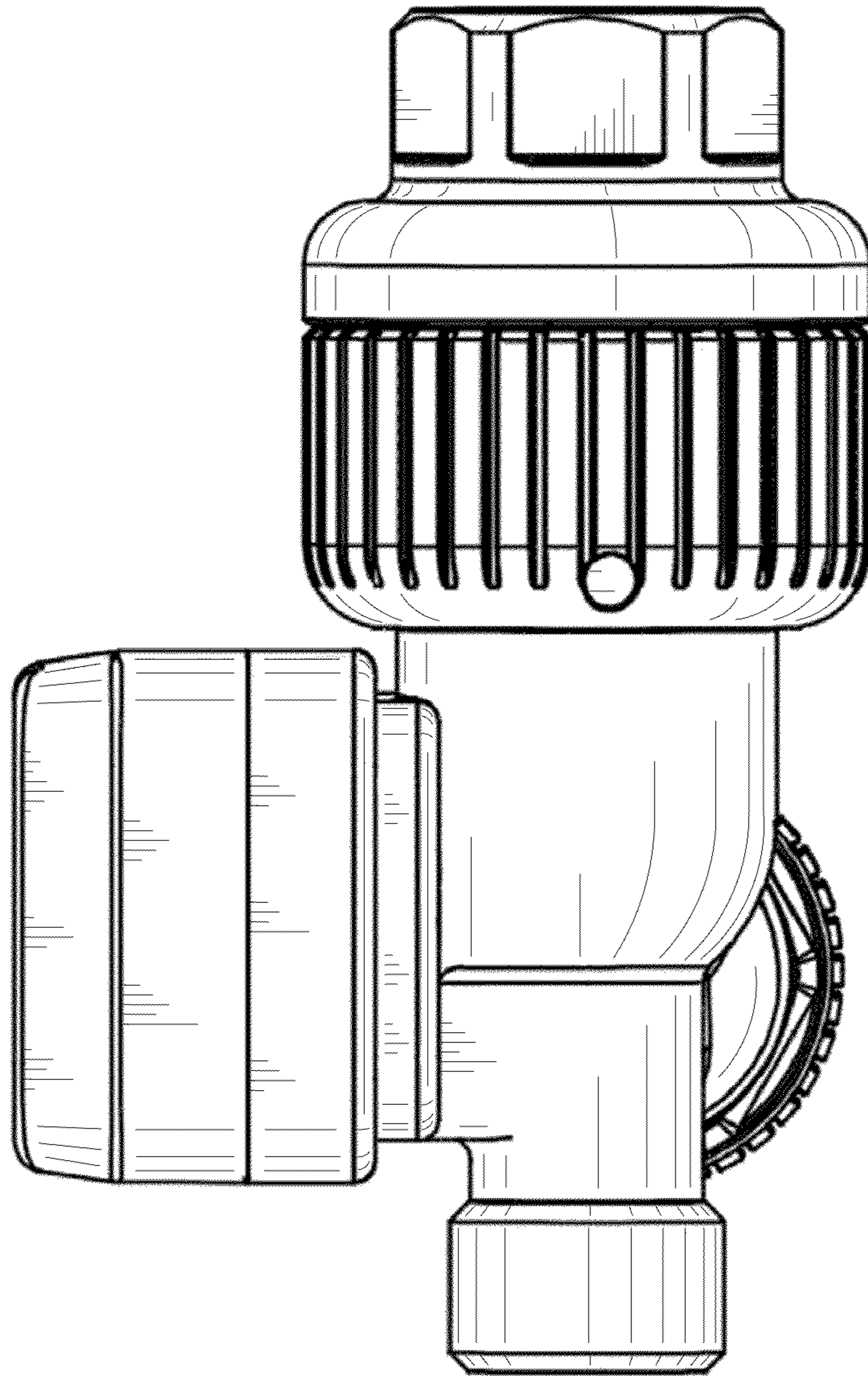


FIG. 4

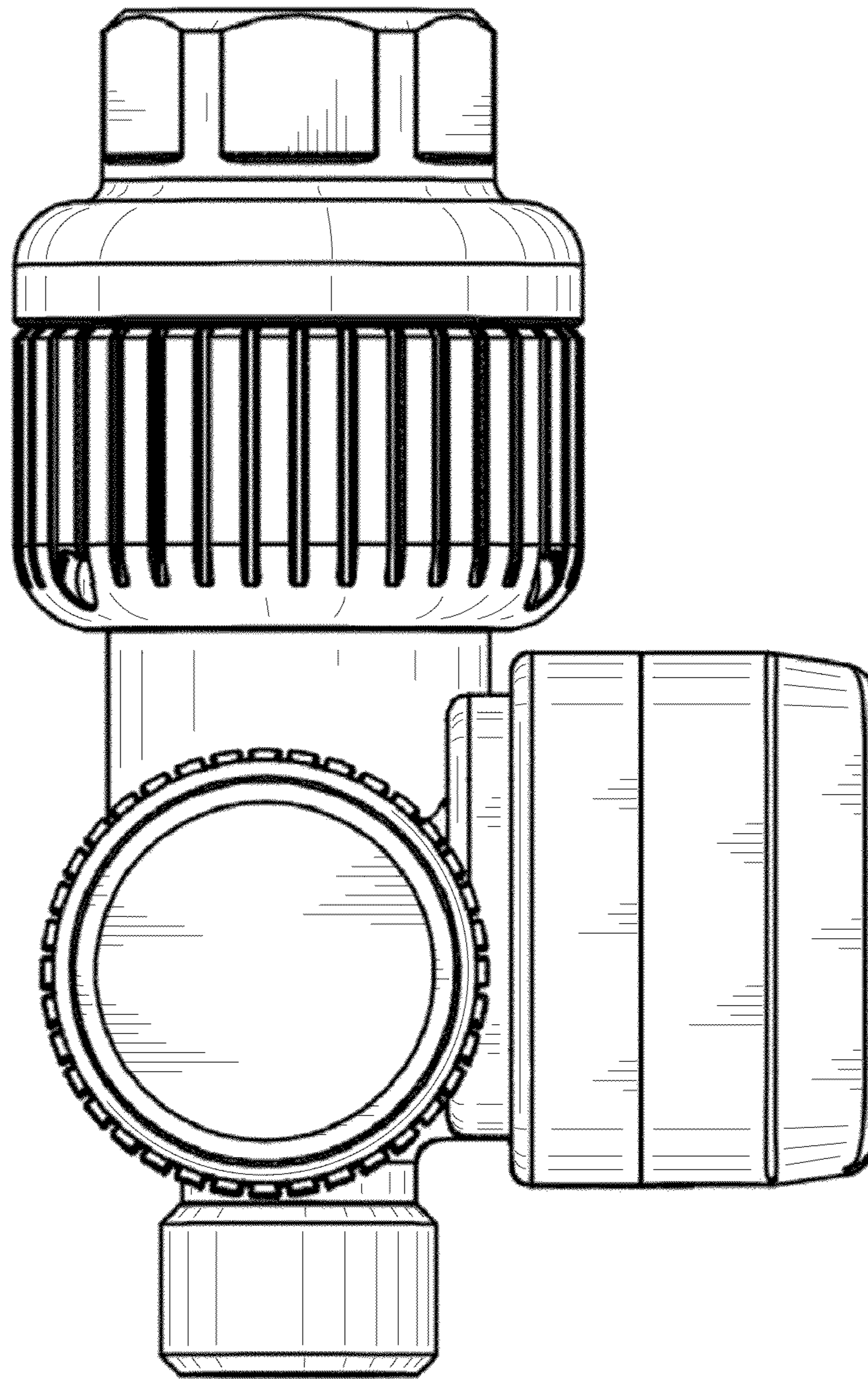


FIG. 5

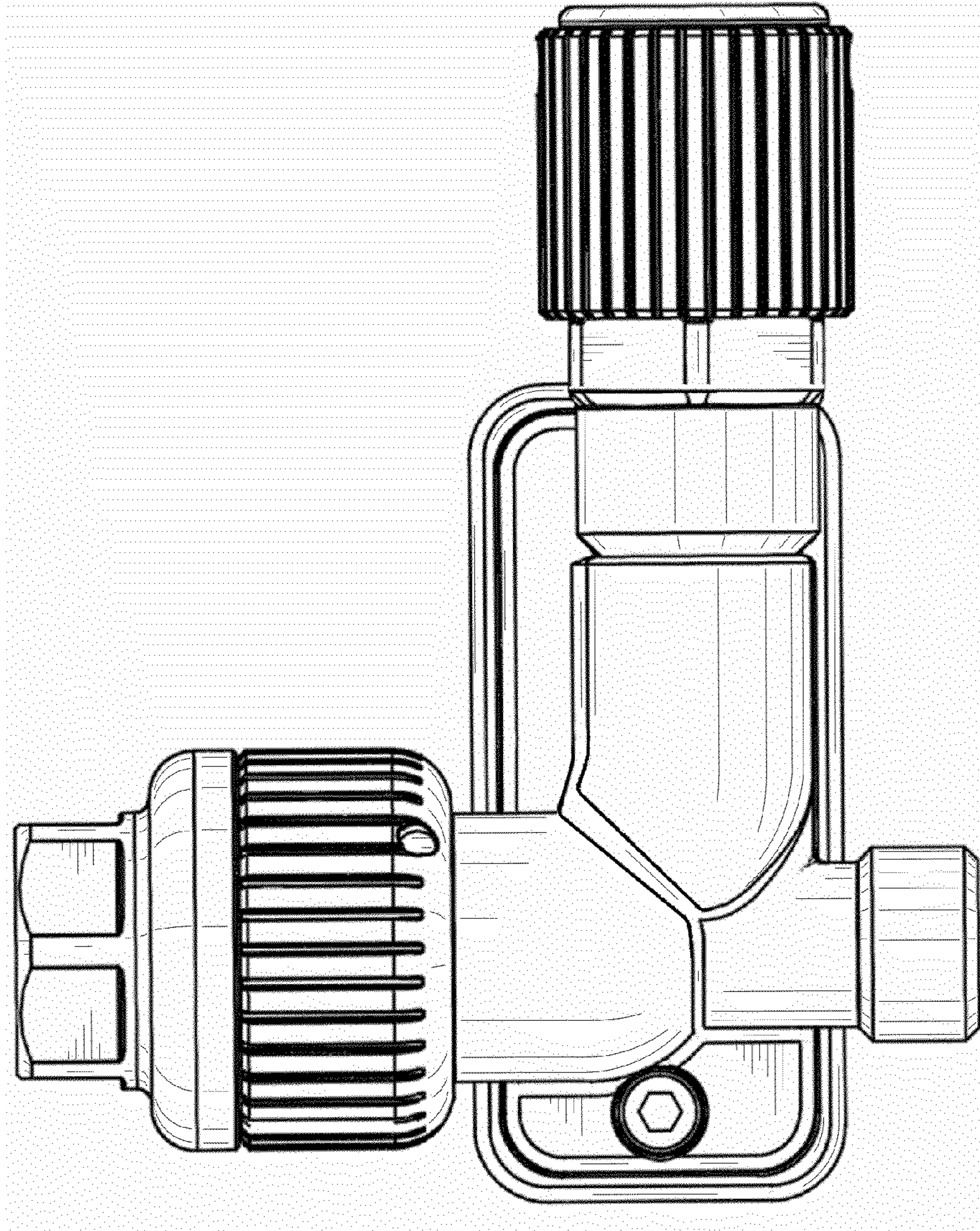


FIG. 6

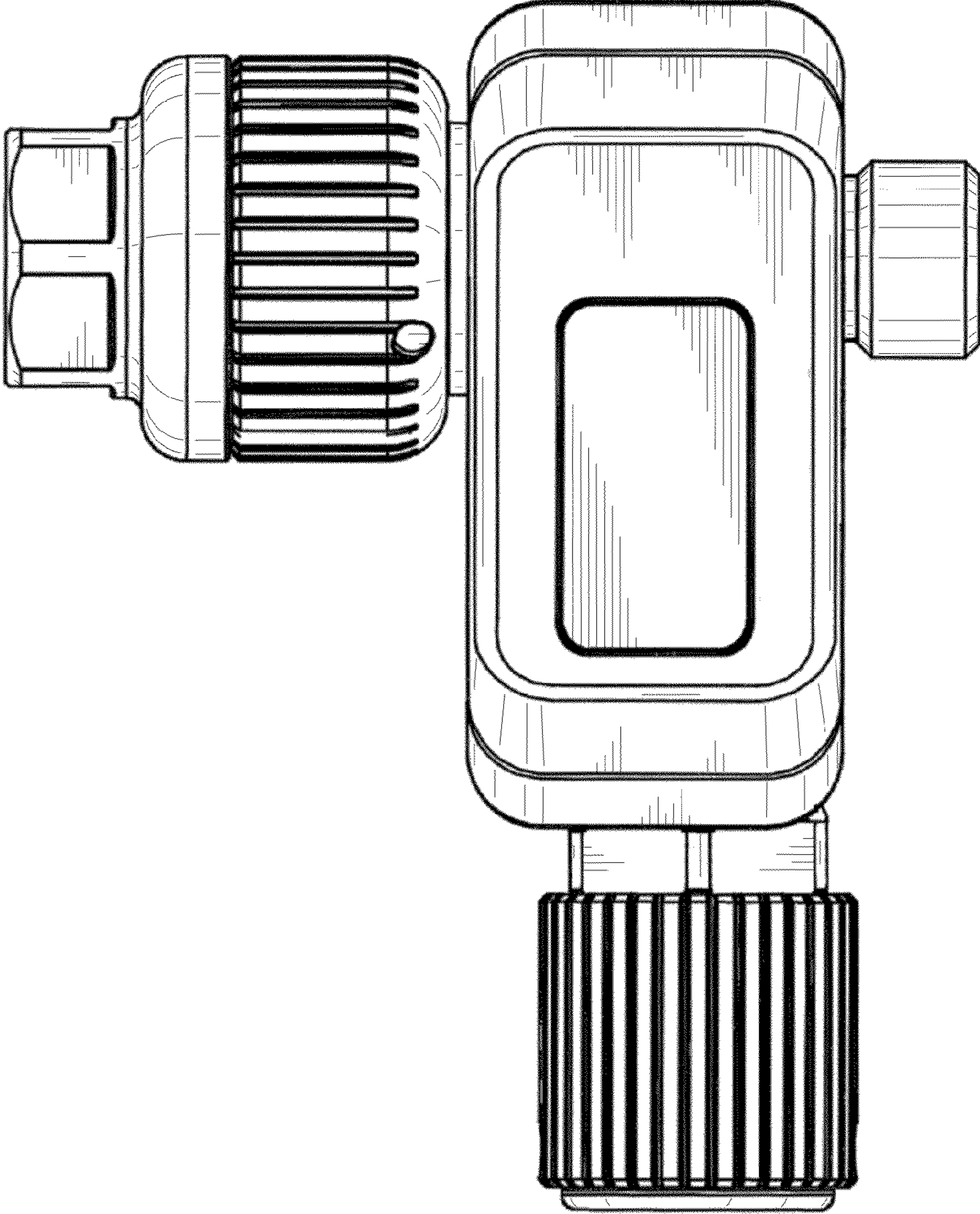


FIG. 7

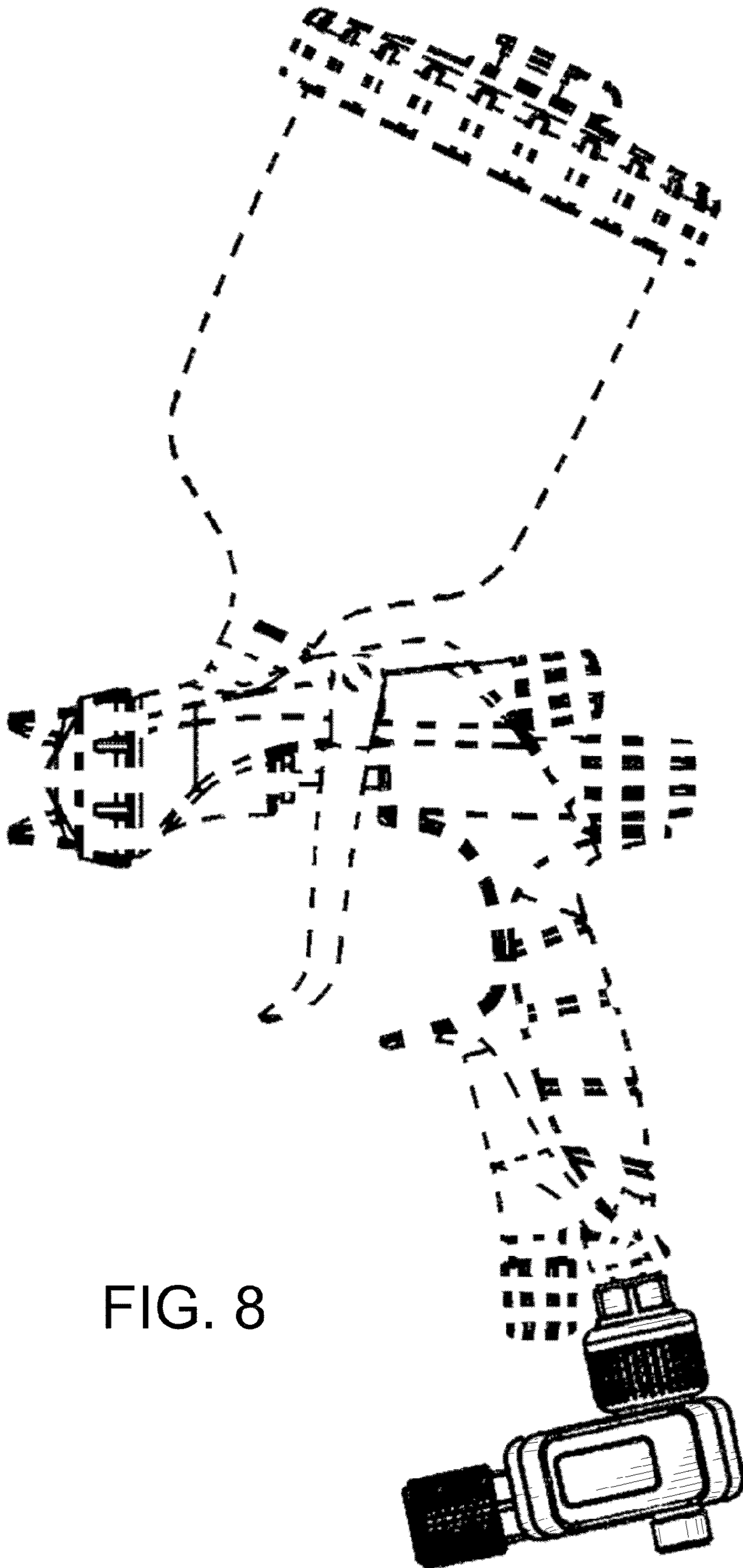


FIG. 8