

US00D736661S

(12) **United States Design Patent**  
**Blank et al.**

(10) **Patent No.:** **US D736,661 S**

(45) **Date of Patent:** **\*\* Aug. 18, 2015**

(54) **TEST APPARATUS FOR AUTOMOTIVE COMPONENTS**

(71) Applicant: **Robert Bosch GmbH**, Stuttgart (DE)

(72) Inventors: **Kurt Blank**, Ebersbach (DE); **Frank Pelta**, Ostfildern (DE); **Daniel Strack**, Uhingen (DE); **Reinhard Hoss**, Plochingen (DE)

(73) Assignee: **Robert Bosch GmbH**, Stuttgart (DE)

(\*\*) Term: **14 Years**

(21) Appl. No.: **29/500,130**

(22) Filed: **Aug. 21, 2014**

(30) **Foreign Application Priority Data**

Feb. 27, 2014 (EM) ..... 002413930

(51) **LOC (10) Cl.** ..... **10-03**

(52) **U.S. Cl.**  
USPC ..... **D10/83**

(58) **Field of Classification Search**  
USPC ..... D10/46, 52, 53, 70, 75-77, 81-85,  
D10/96-98, 101, 102  
CPC ..... G01M 15/00-15/14; F01N 11/00;  
F02B 77/08; F02M 19/01; F02M 65/00;  
F02P 17/00; G01L 3/24; G01L 5/26; G01L  
23/22; G01L 23/24; G01L 23/30

See application file for complete search history.

(56) **References Cited**

U.S. PATENT DOCUMENTS

D266,151 S \* 9/1982 Dawson ..... D10/81  
D272,087 S \* 1/1984 Smith ..... D24/216  
D275,225 S \* 8/1984 Hegemann ..... D24/186  
D315,690 S \* 3/1991 Bachelder et al. .... D10/46

\* cited by examiner

*Primary Examiner* — Antoine D Davis

(74) *Attorney, Agent, or Firm* — Maginot, Moore & Beck LLP

(57) **CLAIM**

The ornamental design for a test apparatus for automotive components, as shown and described.

**DESCRIPTION**

FIG. 1 is a perspective view of a first embodiment of a test apparatus for automotive components showing our new design;

FIG. 2 is a right side elevational view showing the design for the test apparatus for automotive components of FIG. 1;

FIG. 3 is a left side elevational view showing the design for the test apparatus for automotive components of FIG. 1;

FIG. 4 is a front elevational view showing the design for the test apparatus for automotive components of FIG. 1;

FIG. 5 is a rear elevational view showing the design for the test apparatus for automotive components of FIG. 1;

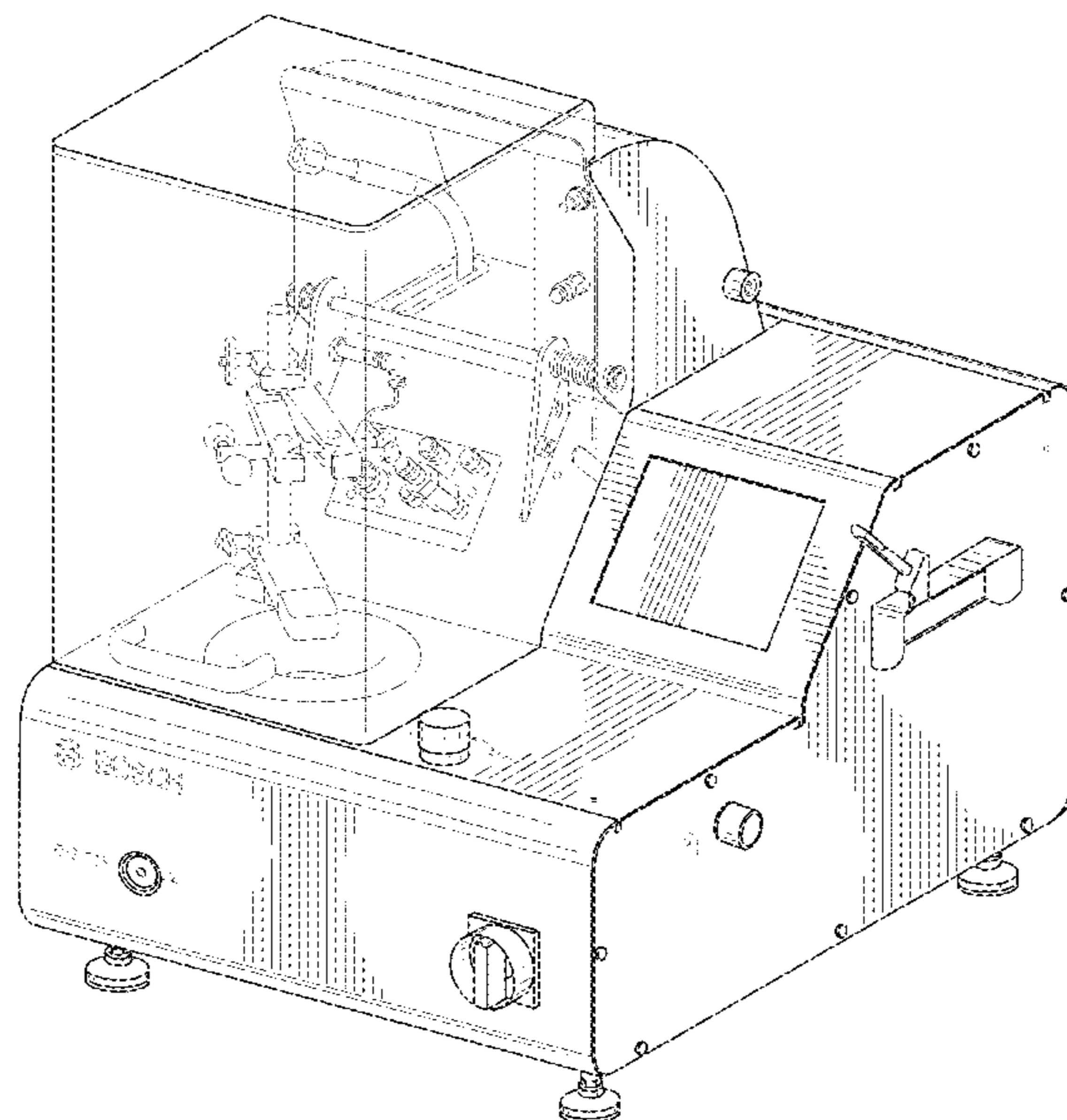
FIG. 6 is a top plan view showing the design for the test apparatus for automotive components of FIG. 1; and

FIG. 7 is a bottom plan view showing the design for the test apparatus for automotive components of FIG. 1; and,

FIG. 8 is a perspective view of a second embodiment of a test apparatus for automotive components showing our new design.

The broken lines shown in the drawings illustrate portions of the test apparatus for automotive components that form no part of the claimed design.

**1 Claim, 8 Drawing Sheets**



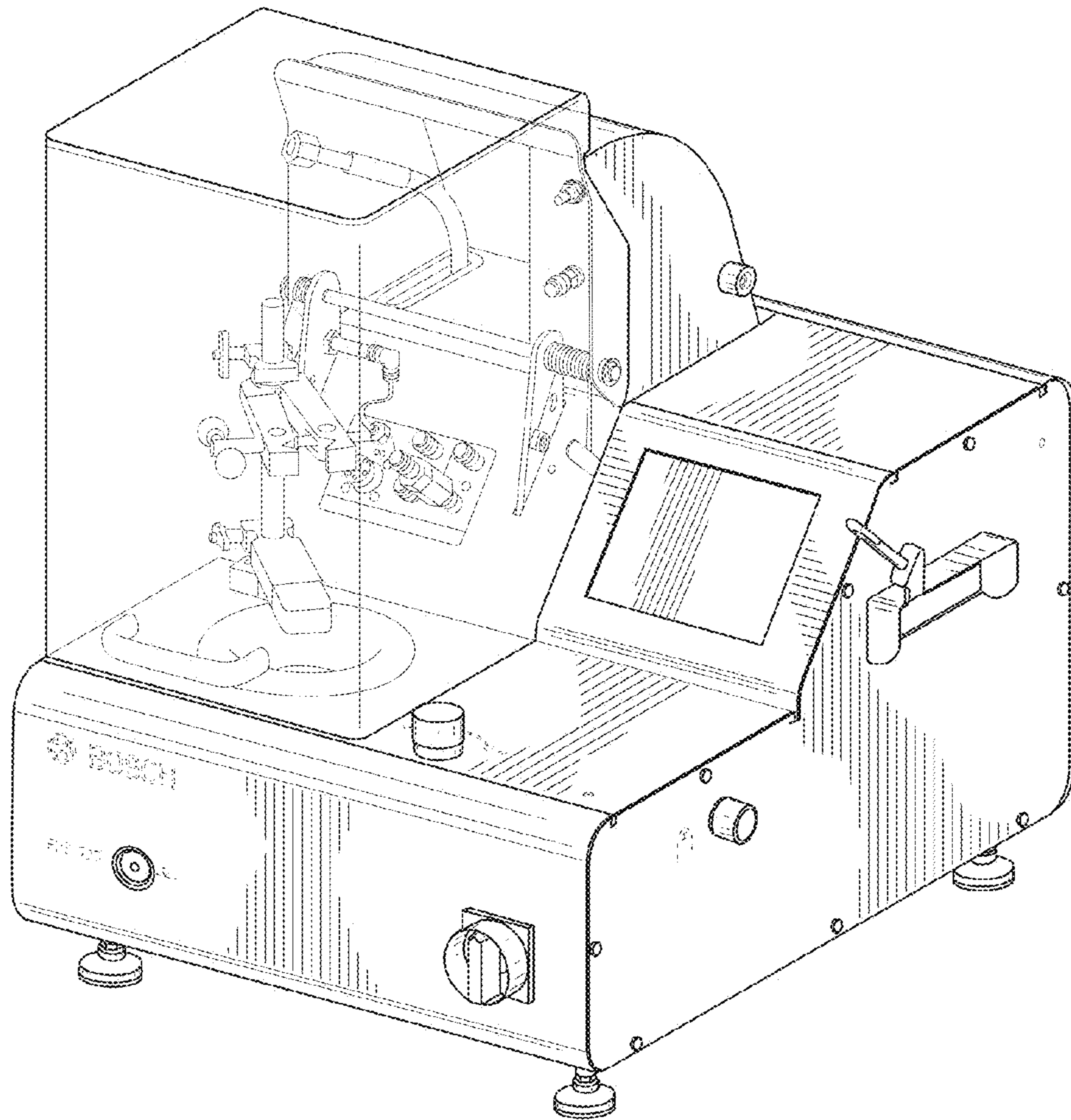


FIG. 1

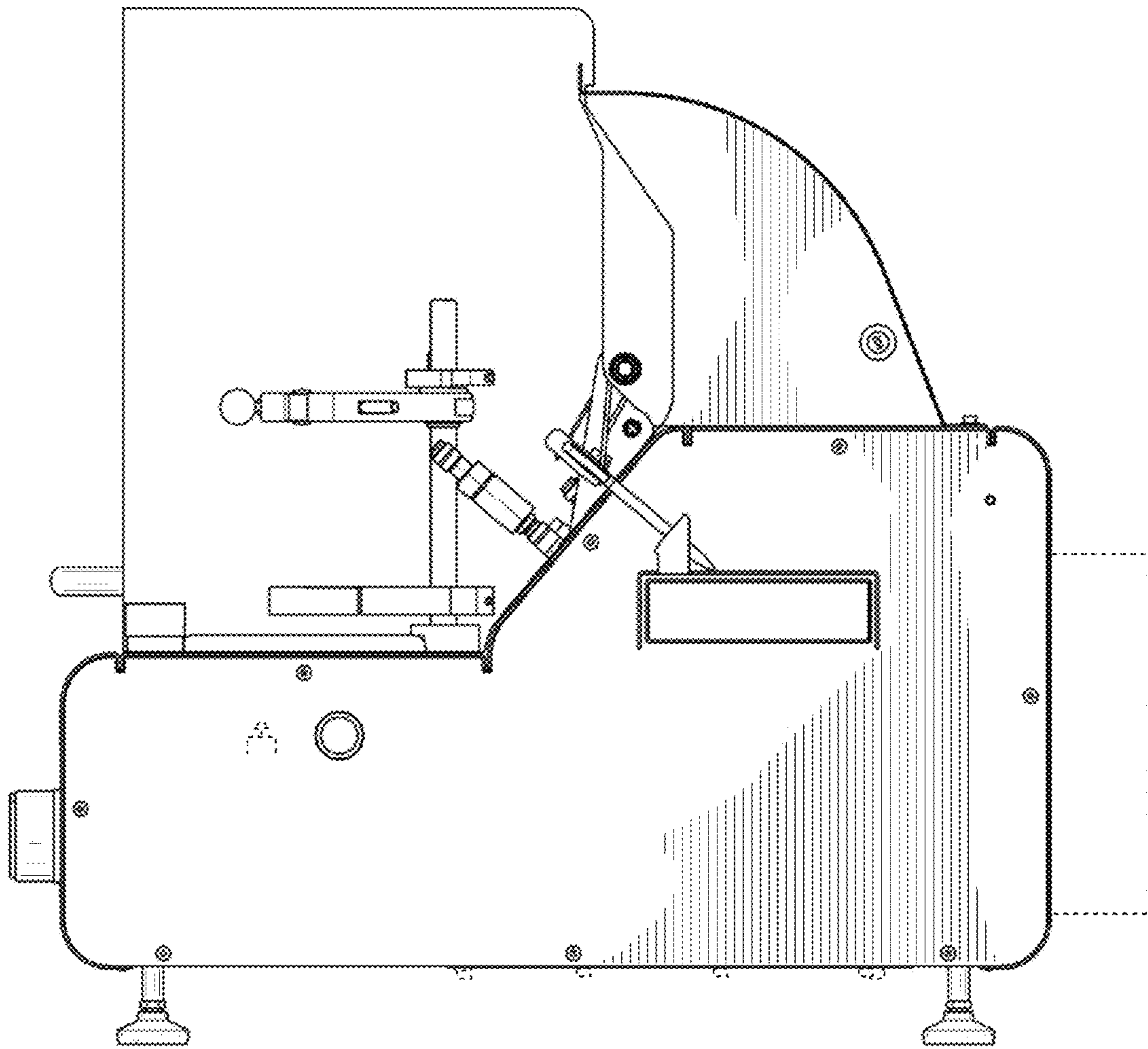


FIG. 2

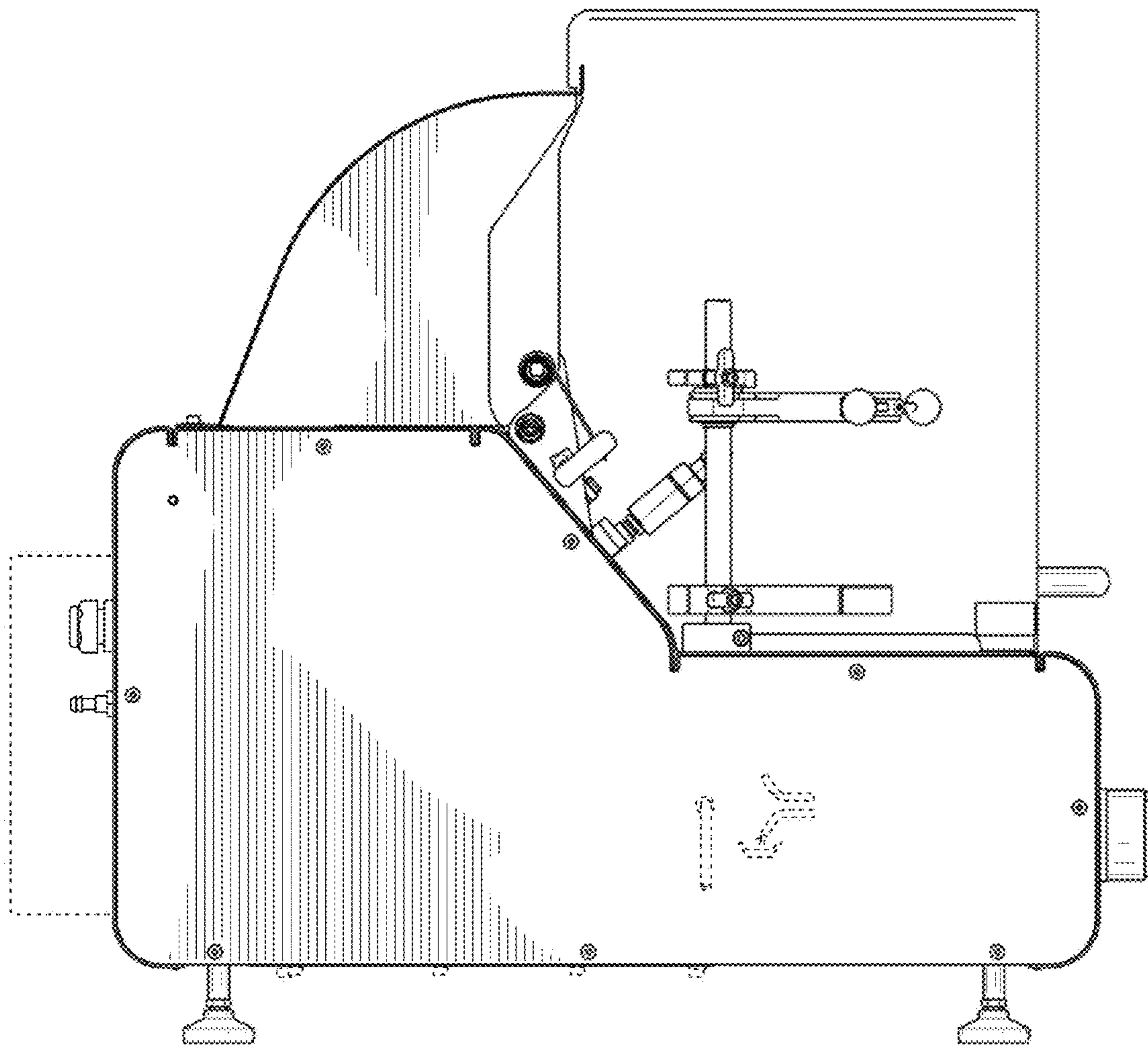


FIG. 3

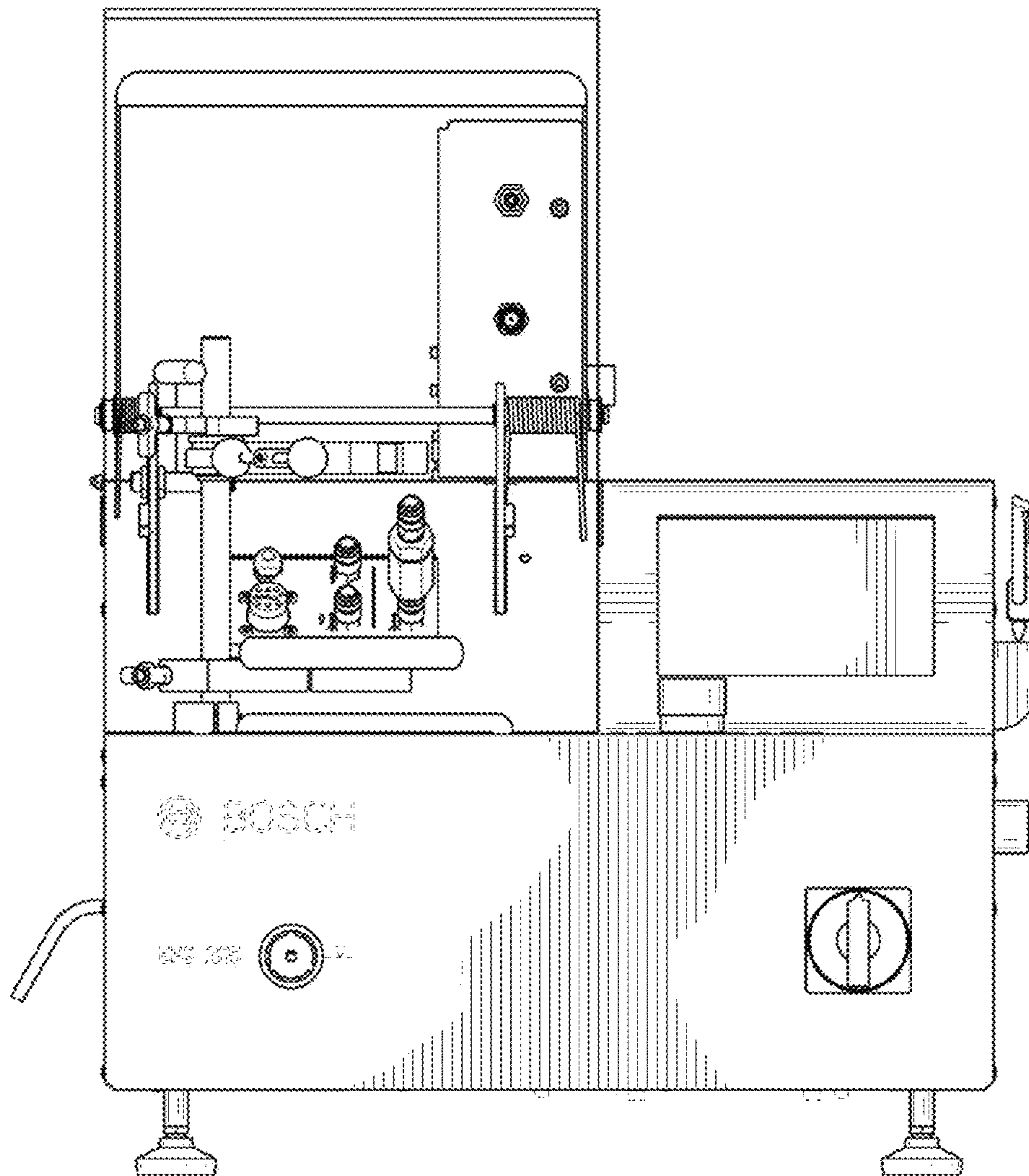


FIG. 4

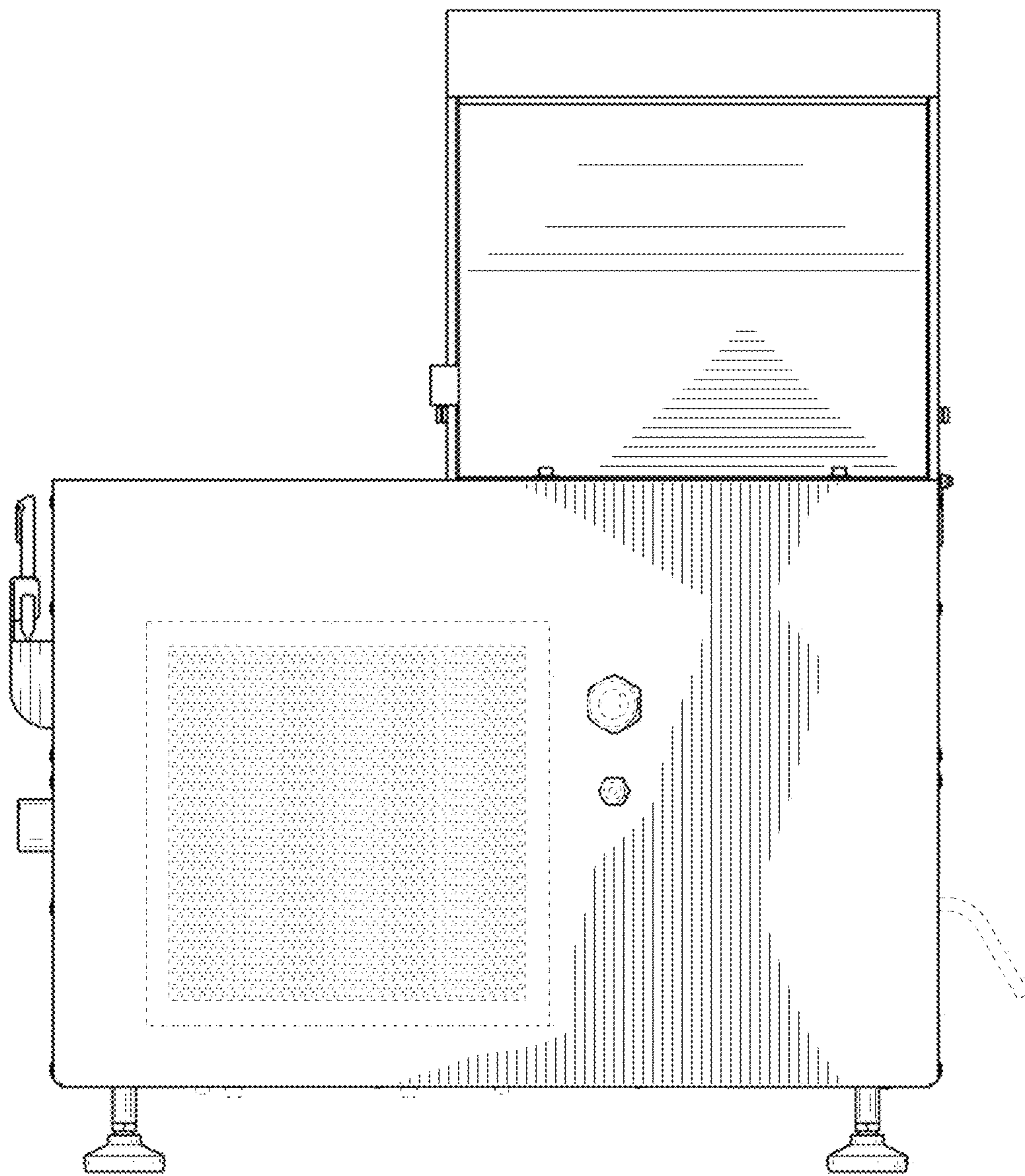


FIG. 5

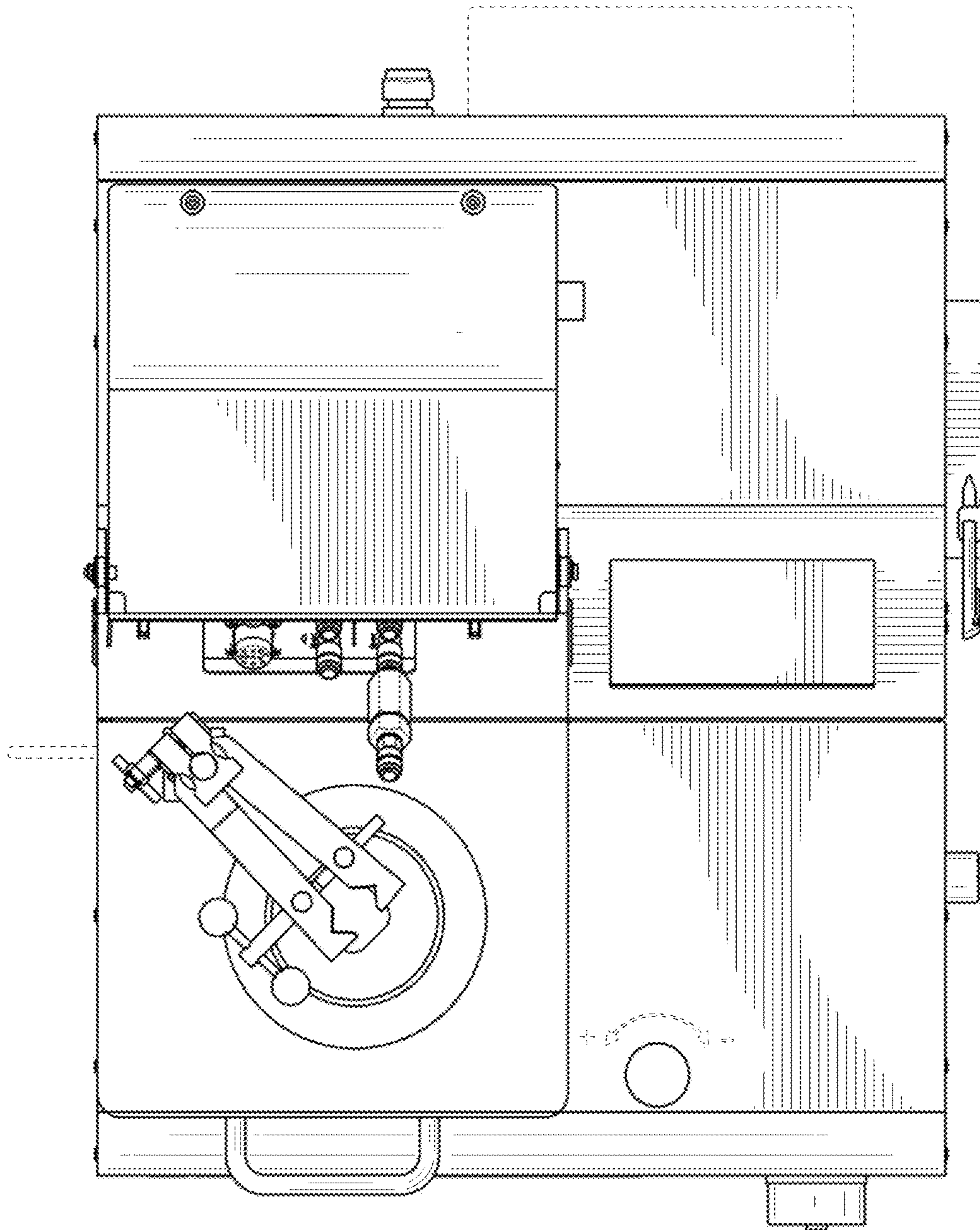


FIG. 6

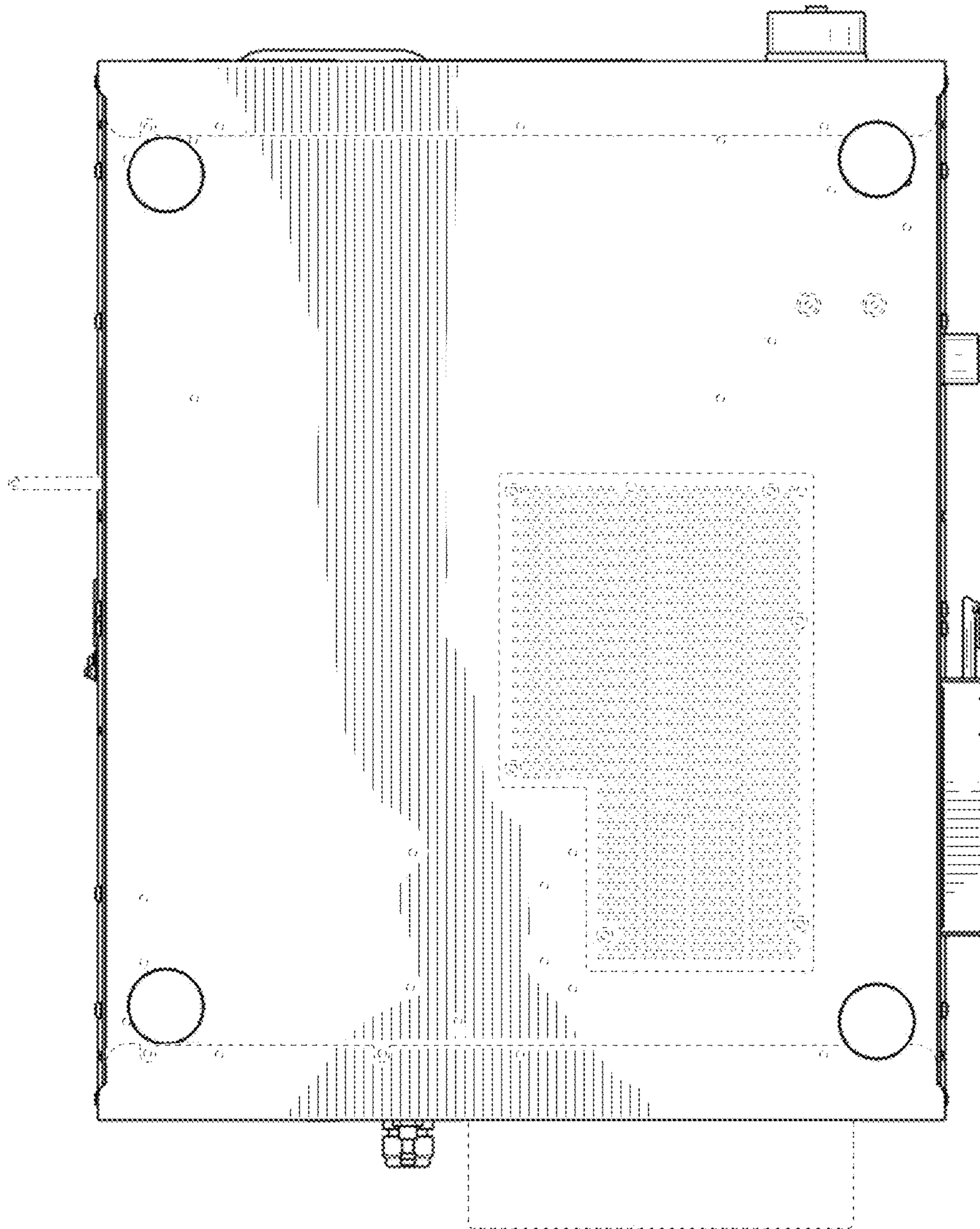


FIG. 7



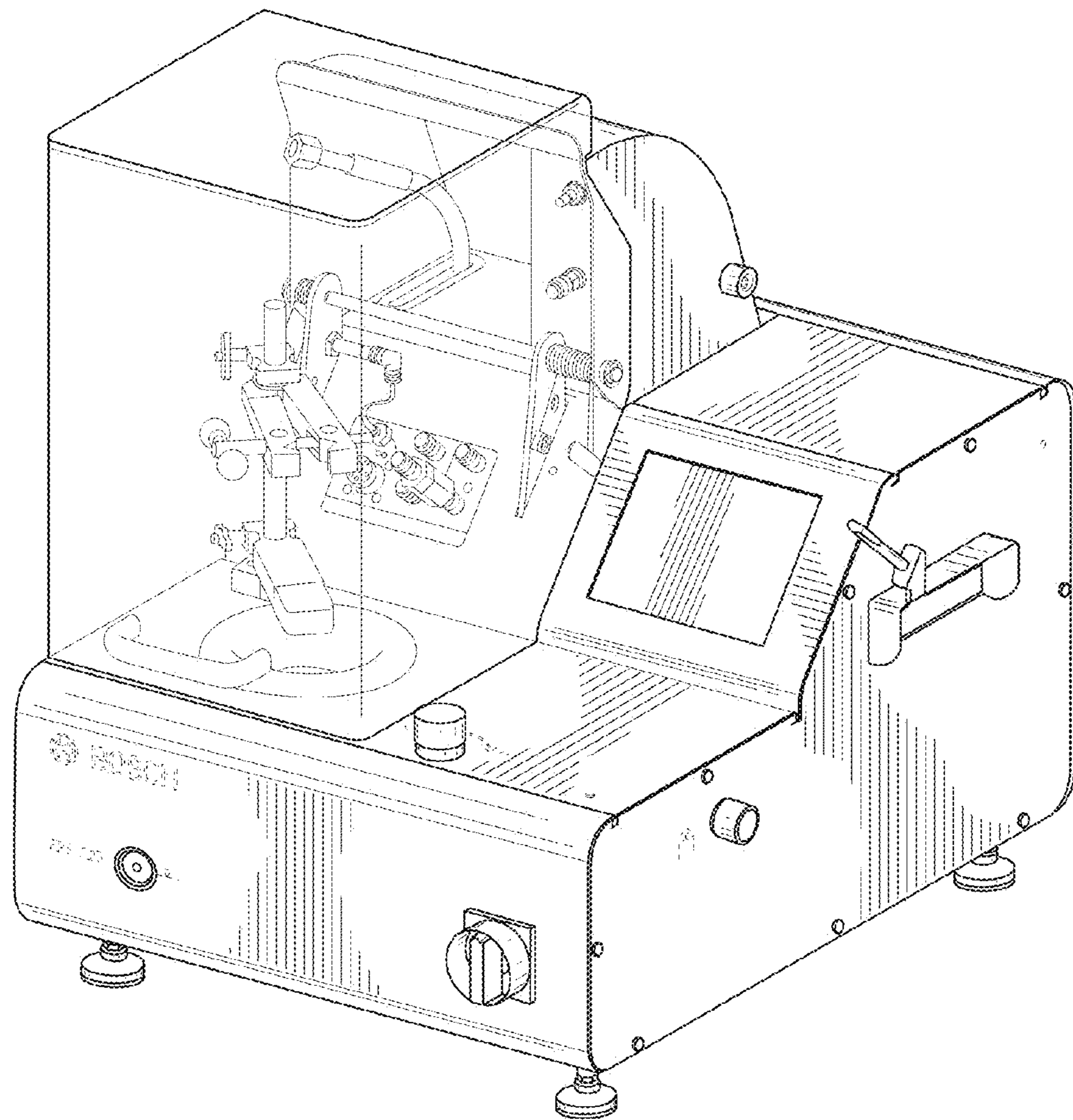


FIG. 8