



US00D736660S

(12) **United States Design Patent**
Hosoda et al.

(10) **Patent No.:** **US D736,660 S**

(45) **Date of Patent:** **** Aug. 18, 2015**

(54) **VIBRATION SENSOR**

A63B 2220/55; A63B 2220/62; A63B 2220/64; A63B 24/00; A63B 24/0003

(71) Applicant: **Sony Corporation**, Tokyo (JP)

See application file for complete search history.

(72) Inventors: **Yasuhide Hosoda**, Kanagawa (JP);
Shinji Yamamura, Chiba (JP);
Tatsuhiko Obara, Chiba (JP)

(56) **References Cited**

U.S. PATENT DOCUMENTS

(73) Assignee: **Sony Corporation**, Tokyo (JP)

6,753,778	B2 *	6/2004	Kruger	340/568.6
D583,826	S	12/2008	Sawai et al.	
8,840,483	B1 *	9/2014	Steusloff et al.	473/222
8,926,444	B2 *	1/2015	Kato et al.	473/202
2009/0233735	A1 *	9/2009	Savarese et al.	473/407
2011/0224012	A1 *	9/2011	Hashimoto et al.	473/223
2012/0035003	A1 *	2/2012	Moran et al.	473/407
2012/0052973	A1 *	3/2012	Bentley	473/223
2013/0065703	A1 *	3/2013	Rose	473/223

(**) Term: **14 Years**

(21) Appl. No.: **29/485,047**

(22) Filed: **Mar. 14, 2014**

(30) **Foreign Application Priority Data**

FOREIGN PATENT DOCUMENTS

Dec. 27, 2013	(CN)	2013 3 0650941
Dec. 27, 2013	(JP)	D2013-030973
Dec. 27, 2013	(JP)	D2013-030974
Dec. 27, 2013	(JP)	D2013-030975
Dec. 27, 2013	(JP)	D2013-030976
Dec. 27, 2013	(JP)	D2013-030977
Dec. 27, 2013	(JP)	D2013-030978
Dec. 27, 2013	(JP)	D2013-030979
Dec. 27, 2013	(JP)	D2013-030980
Dec. 27, 2013	(JP)	D2013-030981
Dec. 27, 2013	(JP)	D2013-030982
Dec. 27, 2013	(JP)	D2013-030983
Dec. 27, 2013	(JP)	D2013-030984
Dec. 27, 2013	(JP)	D2013-030985
Dec. 27, 2013	(JP)	D2013-030986
Dec. 27, 2013	(JP)	D2013-030987
Dec. 27, 2013	(JP)	D2013-030988

JP D1227155 S 1/2005

OTHER PUBLICATIONS

Final Decision of the Board of Appeal issued in Japanese Application No. D2013-030975, dated May 22, 2015.

* cited by examiner

Primary Examiner — Antoine D Davis

(74) *Attorney, Agent, or Firm* — Fishman Stewart Yamaguchi PLLC

(57) **CLAIM**

The ornamental design for a vibration sensor, as shown and described.

DESCRIPTION

FIG. 1 is a perspective view of a first embodiment of a vibration sensor showing our new design;
FIG. 2 is a front elevational view thereof;
FIG. 3 is a rear elevational view thereof;
FIG. 4 is a left side elevational view thereof;
FIG. 5 is a right side elevational view thereof;
FIG. 6 is a top plan view thereof; and,
FIG. 7 is a bottom plan view thereof;

(51) **LOC (10) Cl.** **10-04**

(52) **U.S. Cl.**
USPC **D10/83**

(58) **Field of Classification Search**
USPC D10/83-85
CPC A63B 2220/05; A63B 2220/17; A63B 2220/18; A63B 2220/20; A63B 2220/30; A63B 2220/40; A63B 2220/50; A63B 2220/51; A63B 2220/53; A63B 2220/54;

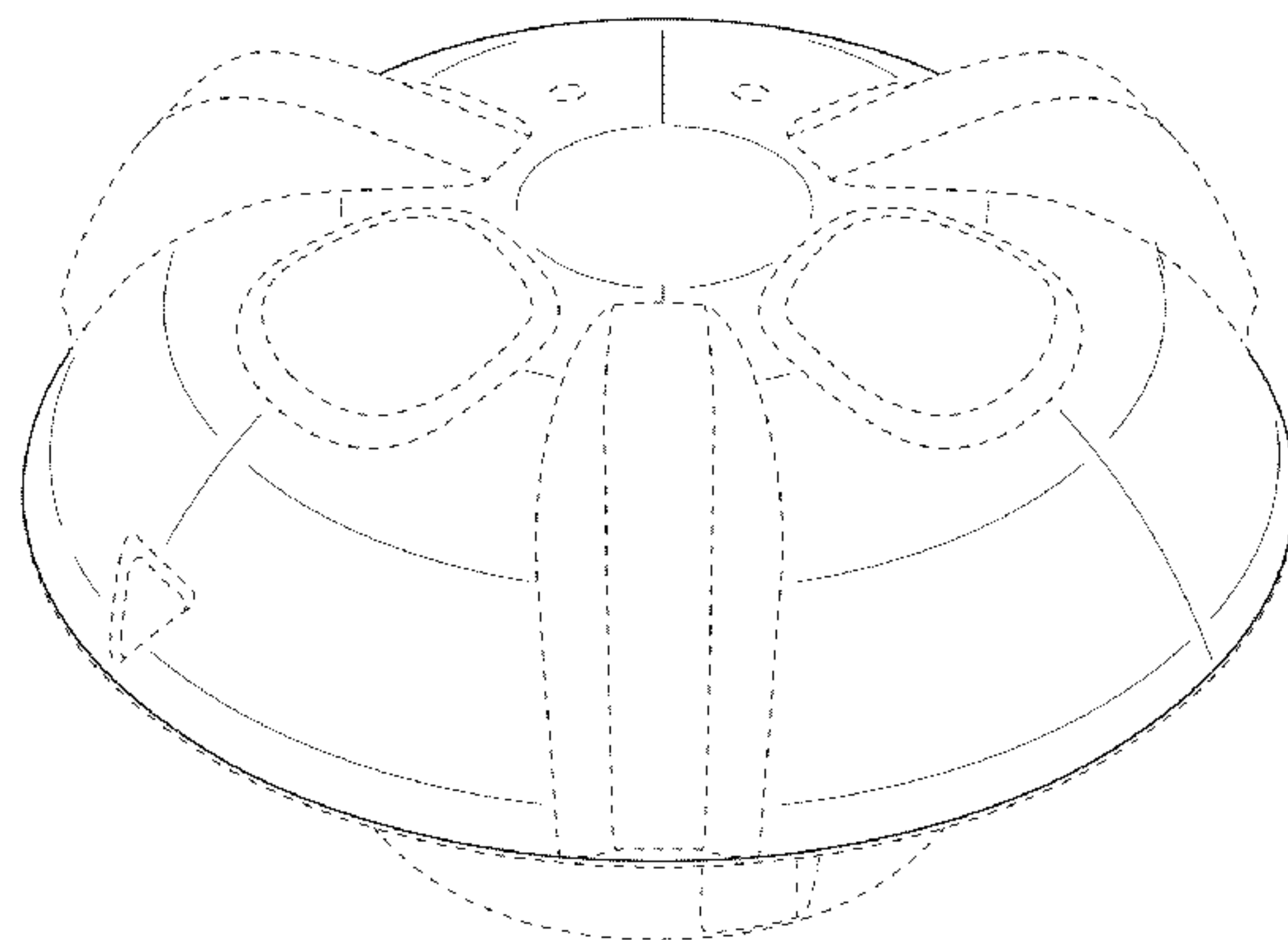


FIG. 8 is a perspective view of a second embodiment of a vibration sensor showing our new design;
FIG. 9 is a front elevational view thereof;
FIG. 10 is a rear elevational view thereof;
FIG. 11 is a left side elevational view thereof;
FIG. 12 is a right side elevational view thereof;
FIG. 13 is a top plan view thereof; and
FIG. 14 is a bottom plan view thereof.
FIG. 15 is a perspective view of a third embodiment of a vibration sensor showing our new design;

FIG. 16 is a front elevational view thereof;
FIG. 17 is a rear elevational view thereof;
FIG. 18 is a left side elevational view thereof;
FIG. 19 is a right side elevational view thereof;
FIG. 20 is a top plan view thereof; and,
FIG. 21 is a bottom plan view thereof.

The broken lines showing in the drawings illustrate unclaimed portions of the vibration sensor and form no part of the claimed design.

1 Claim, 15 Drawing Sheets

FIG.1

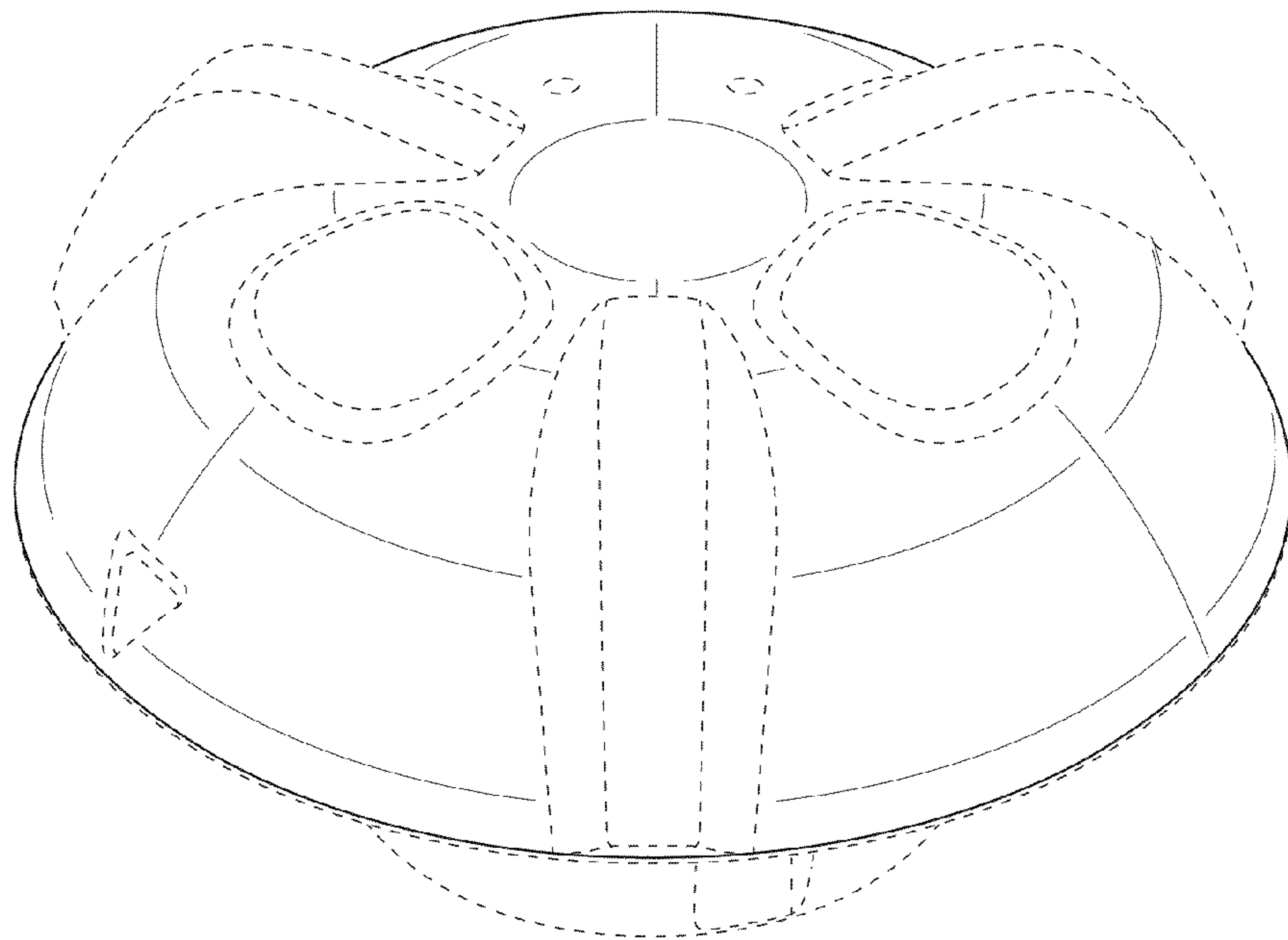


FIG.2

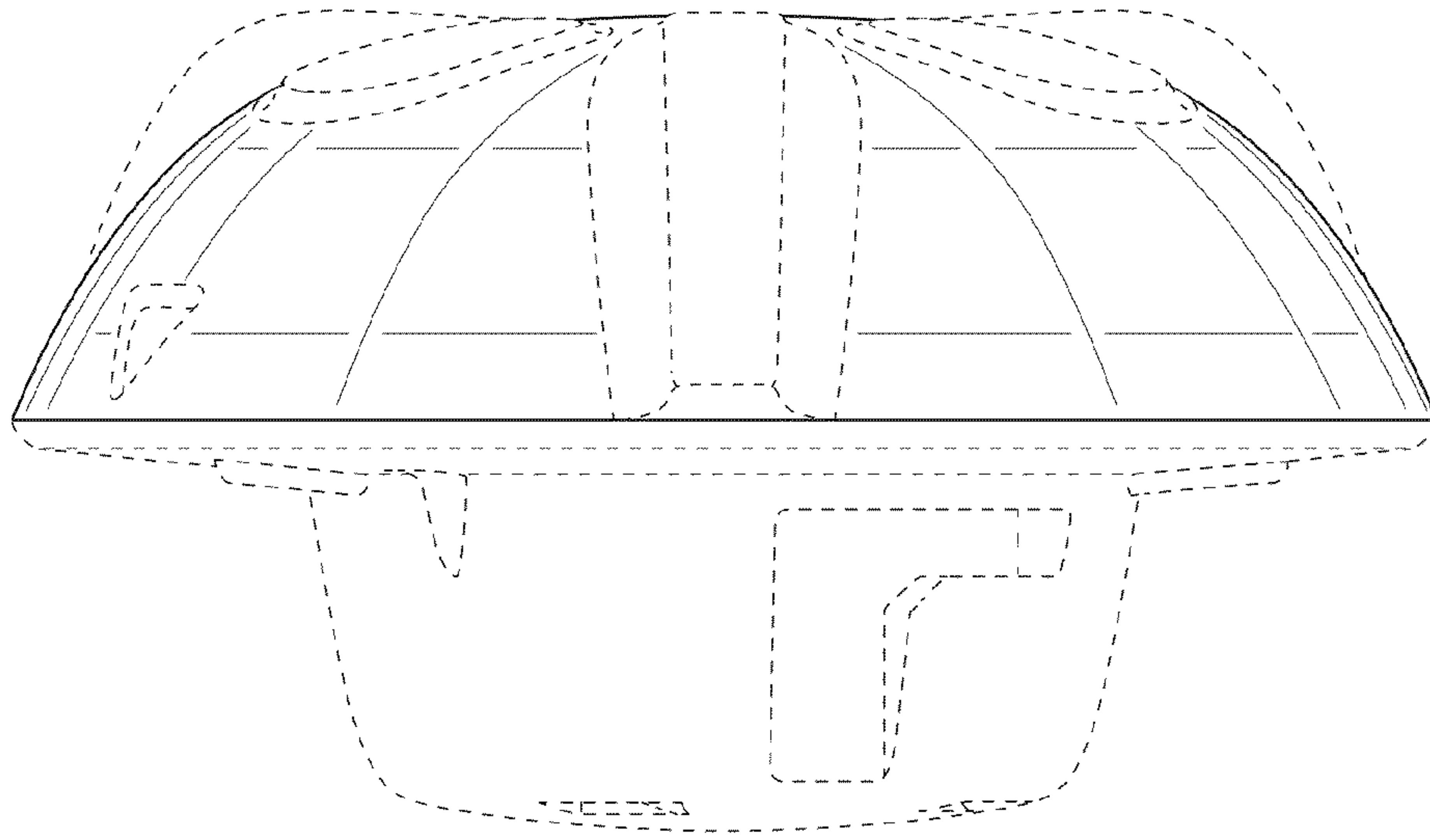


FIG.3

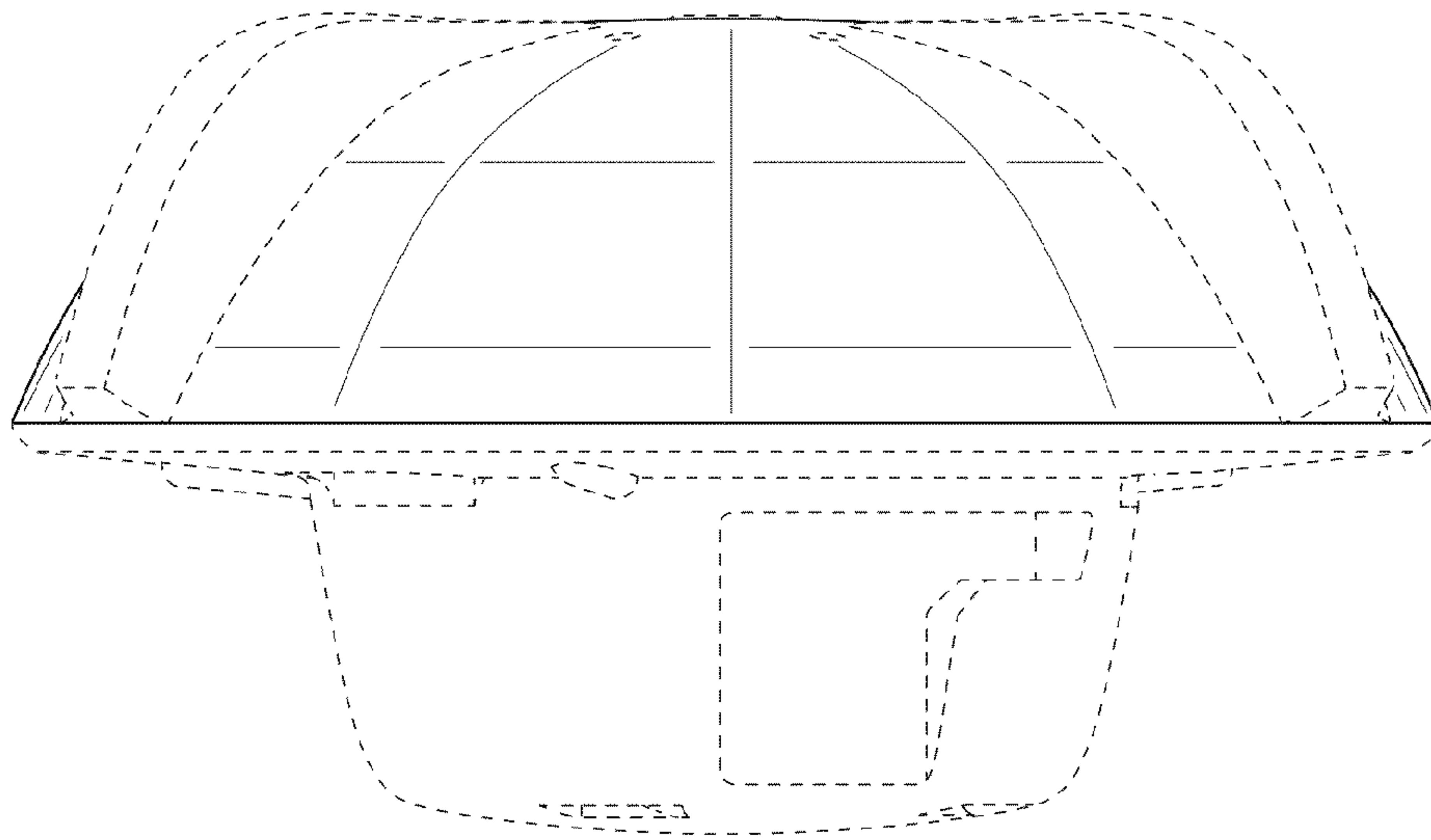


FIG.4

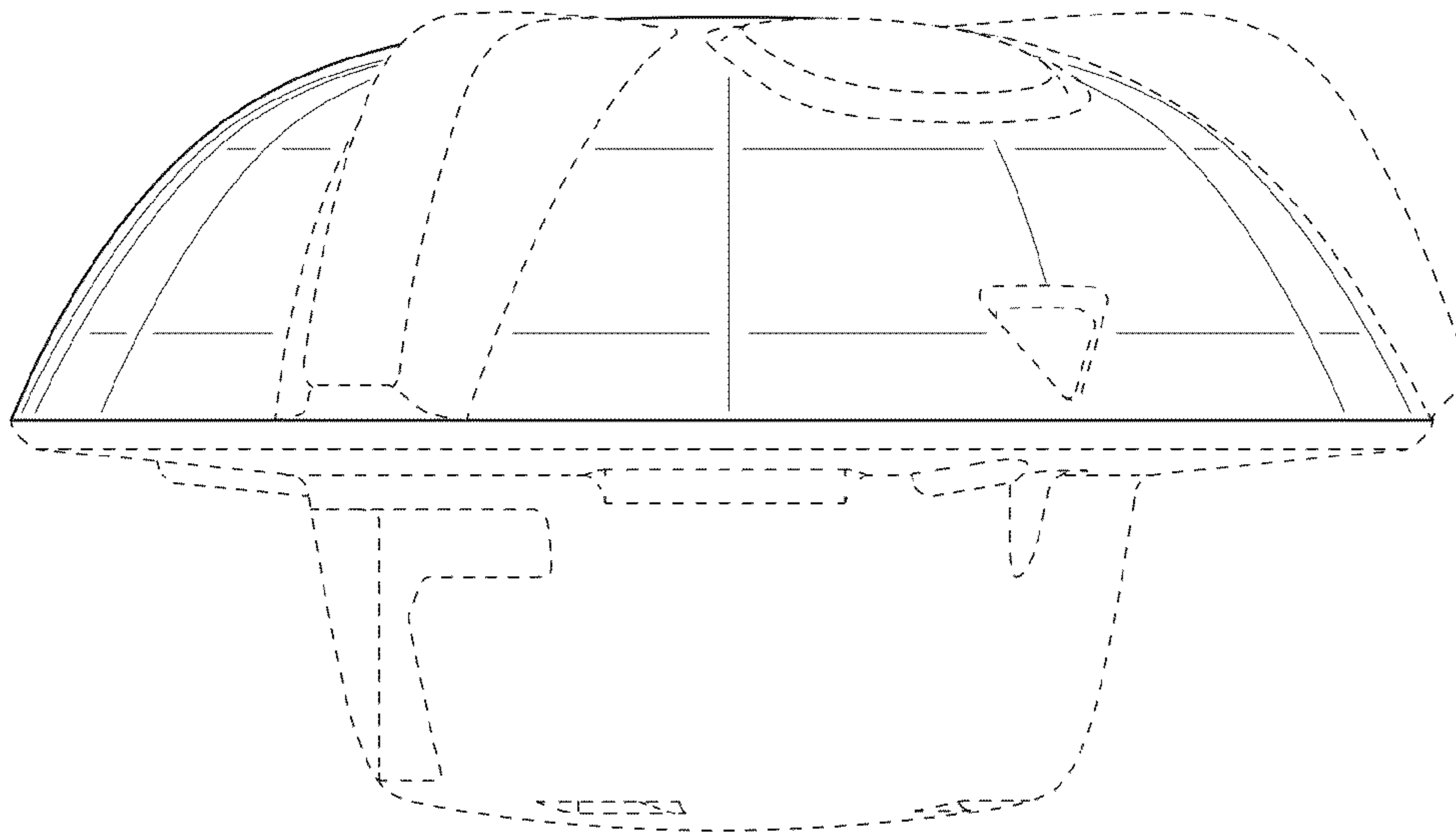


FIG.5

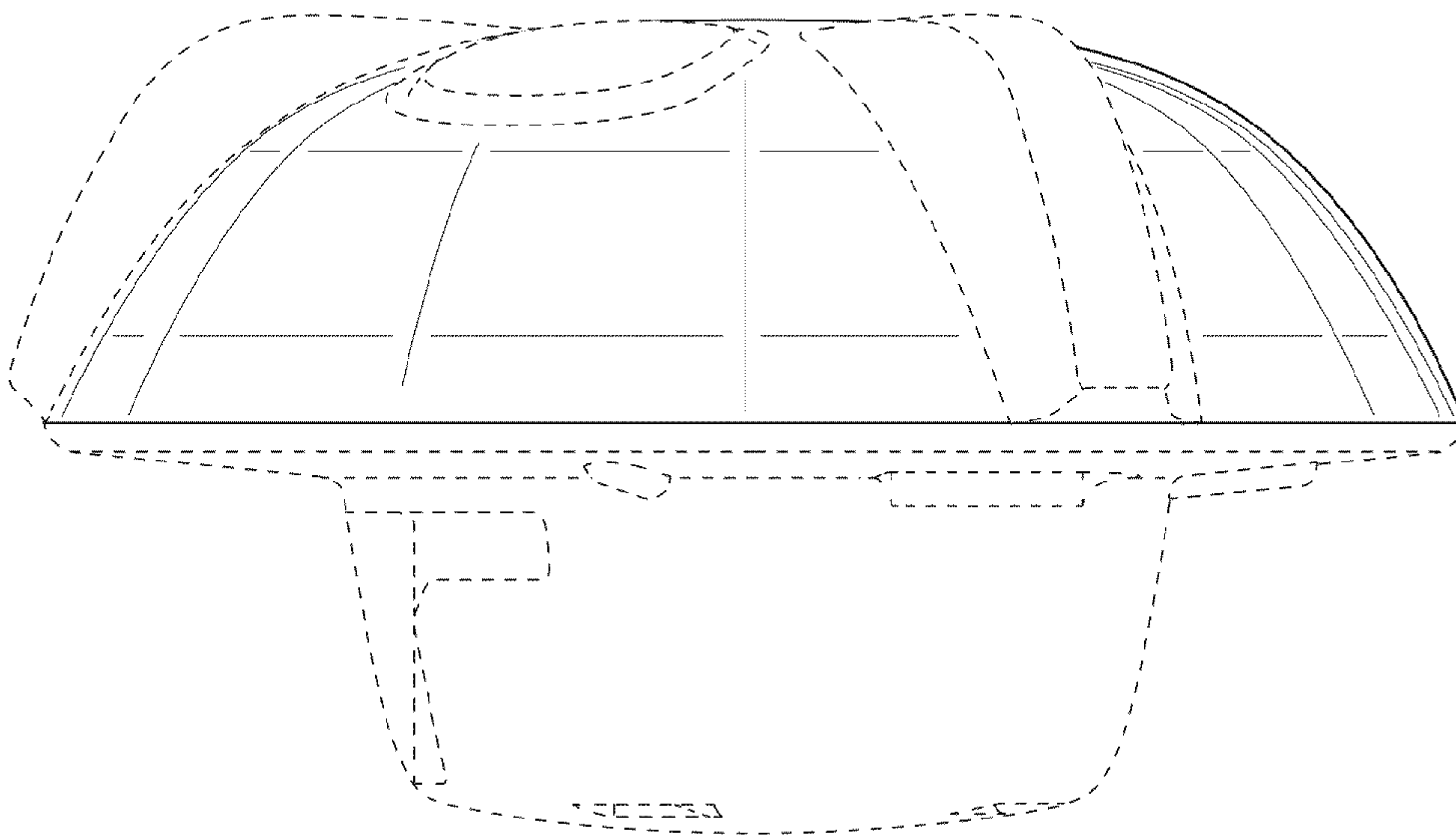


FIG.6

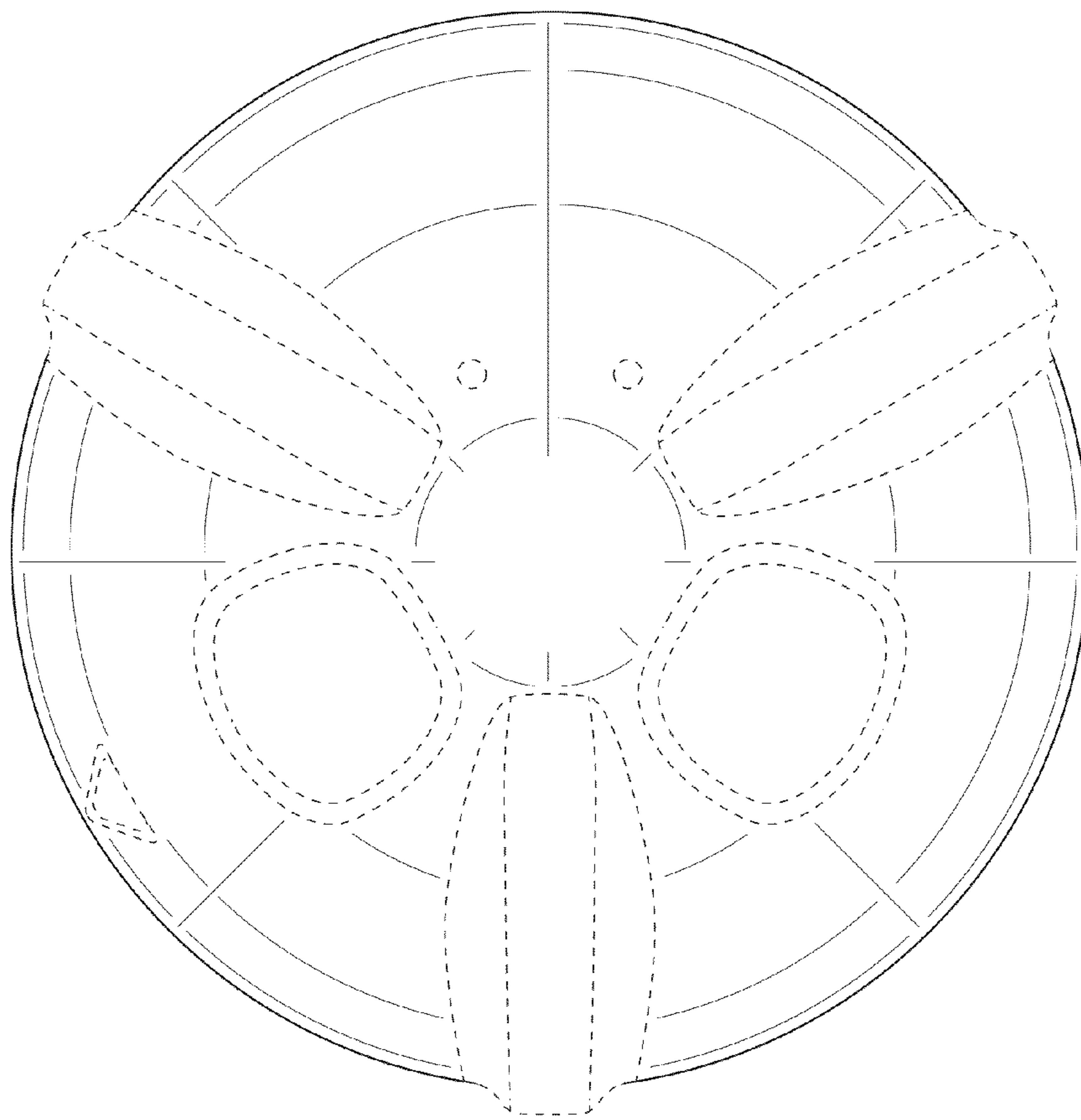


FIG.7

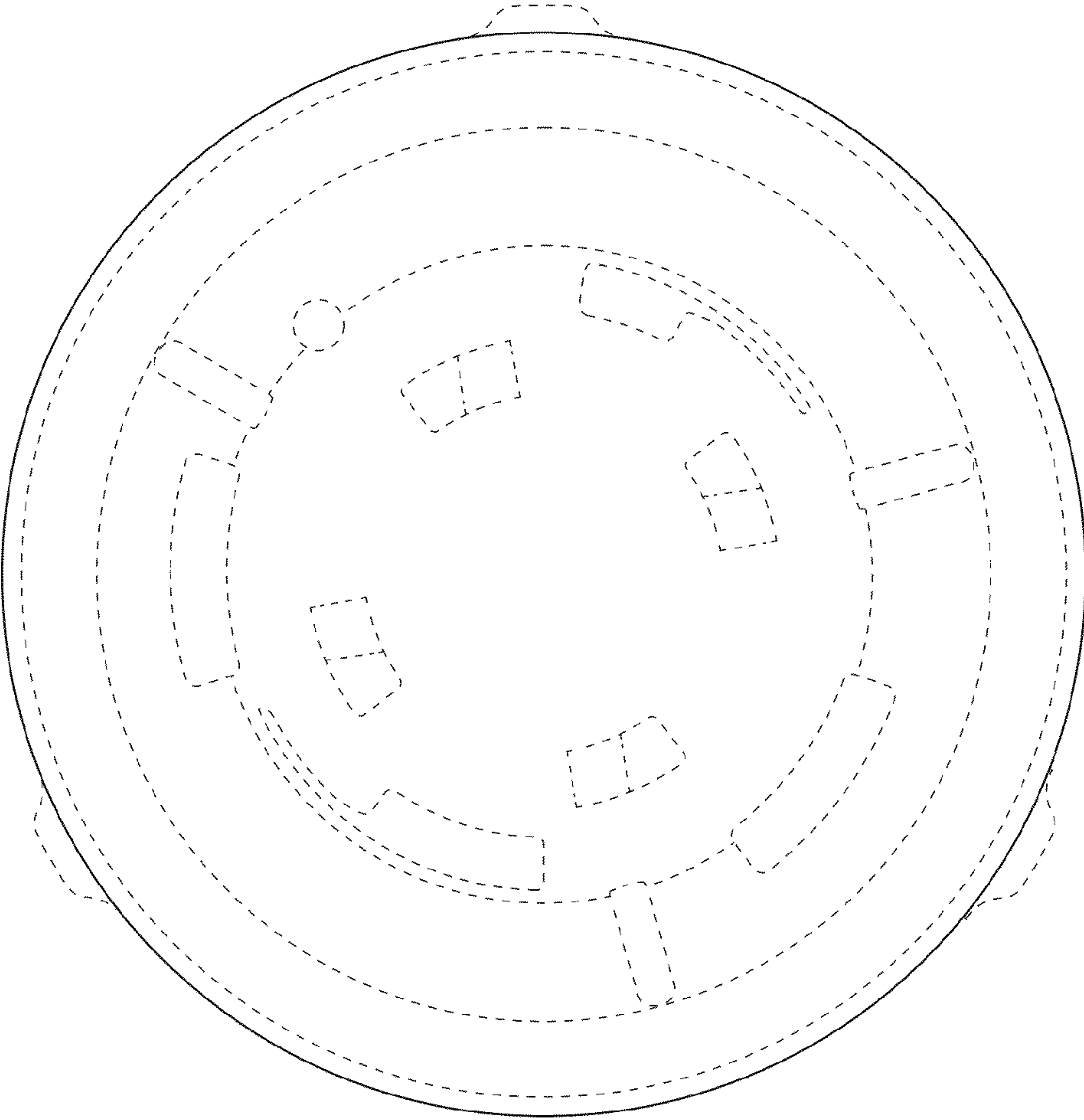


FIG.8

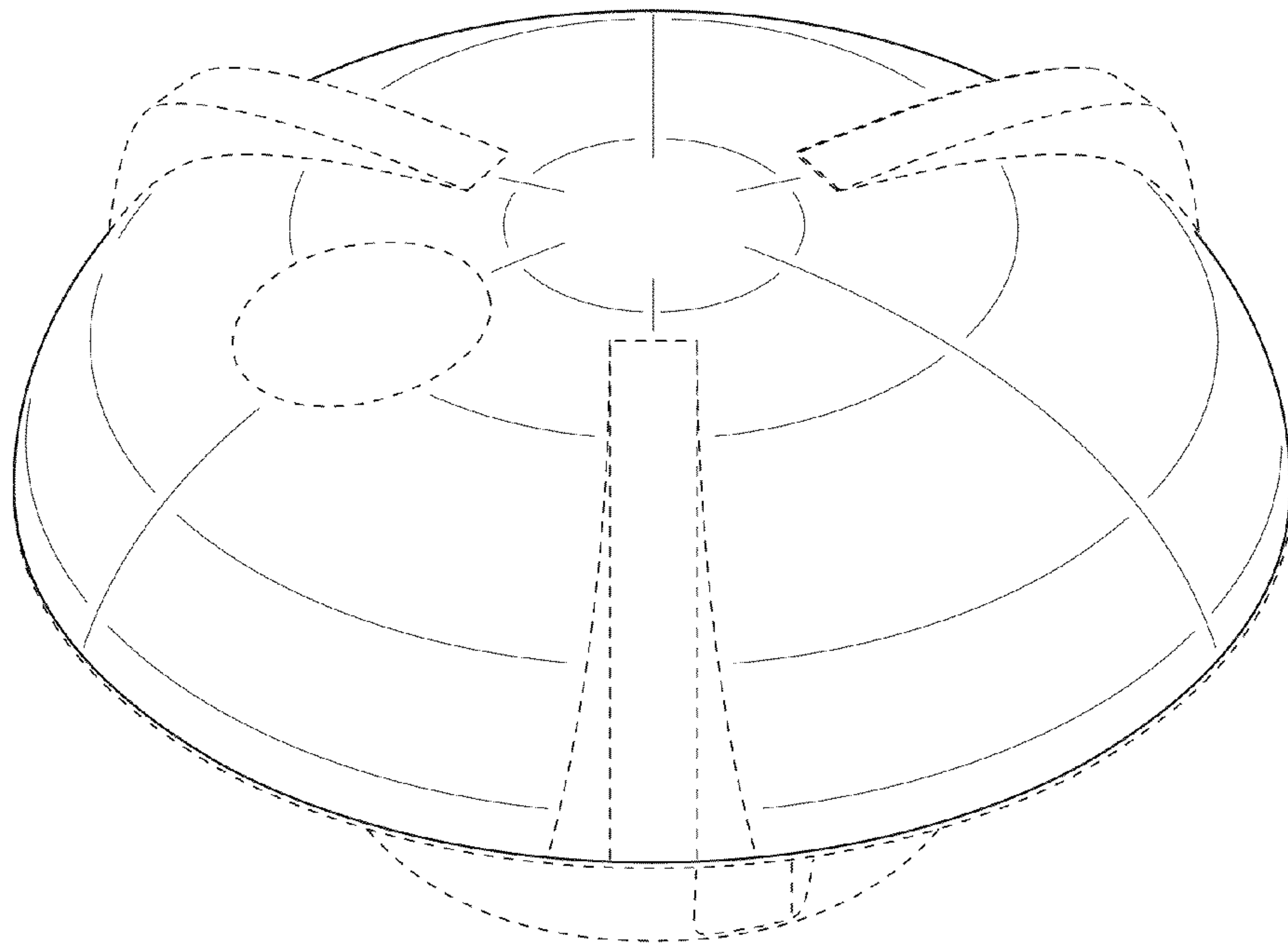


FIG.9

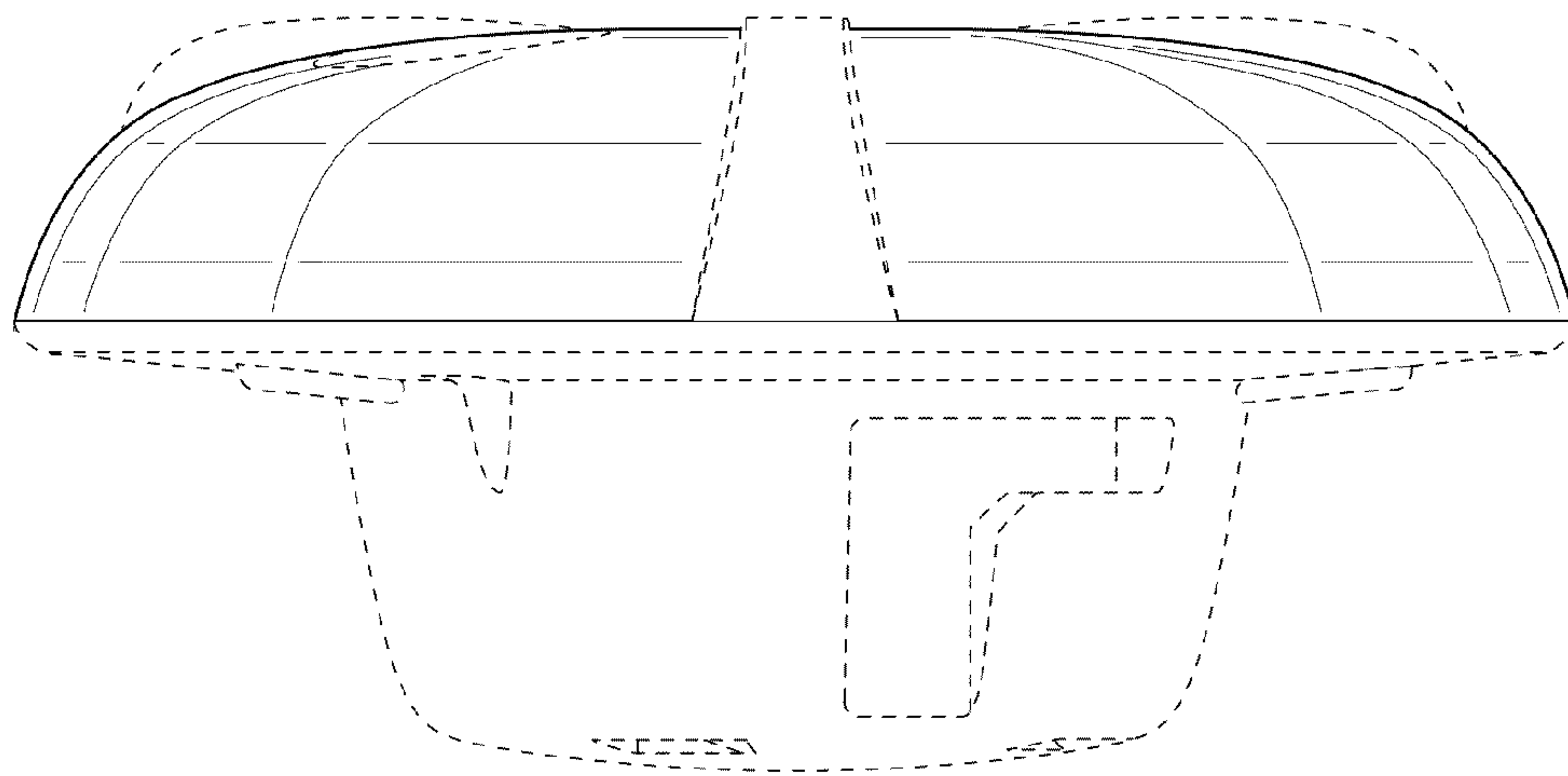


FIG.10

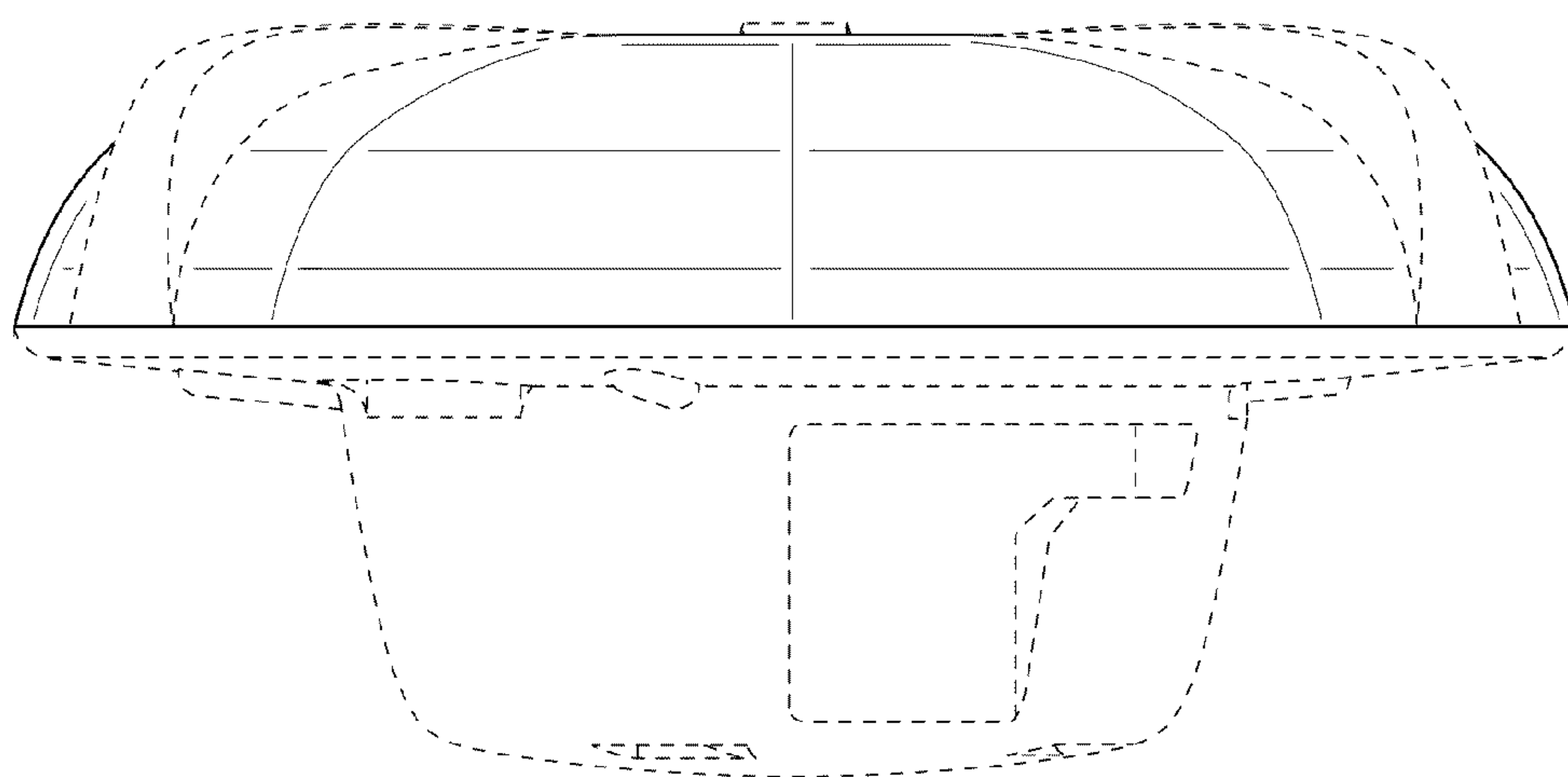


FIG.11

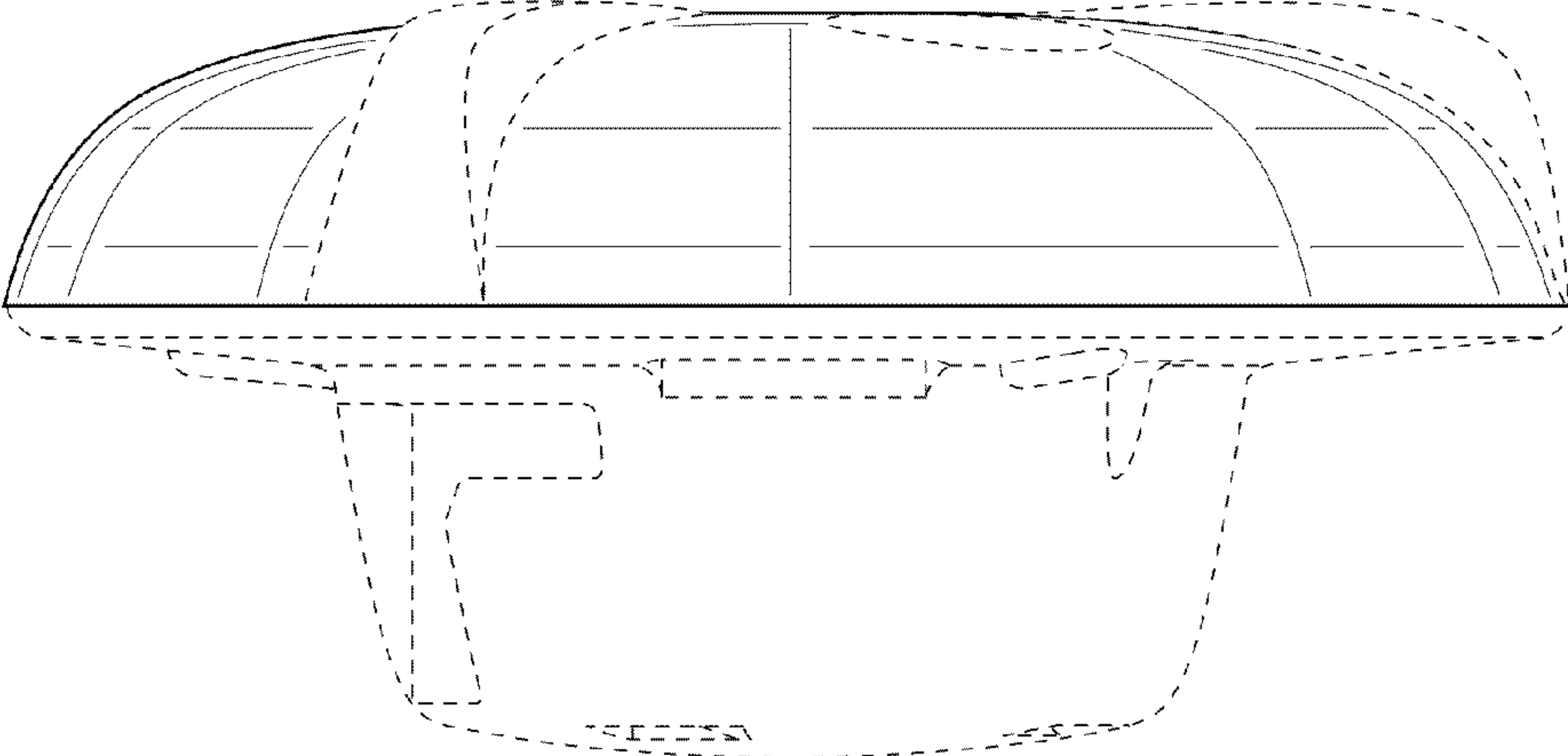


FIG.12

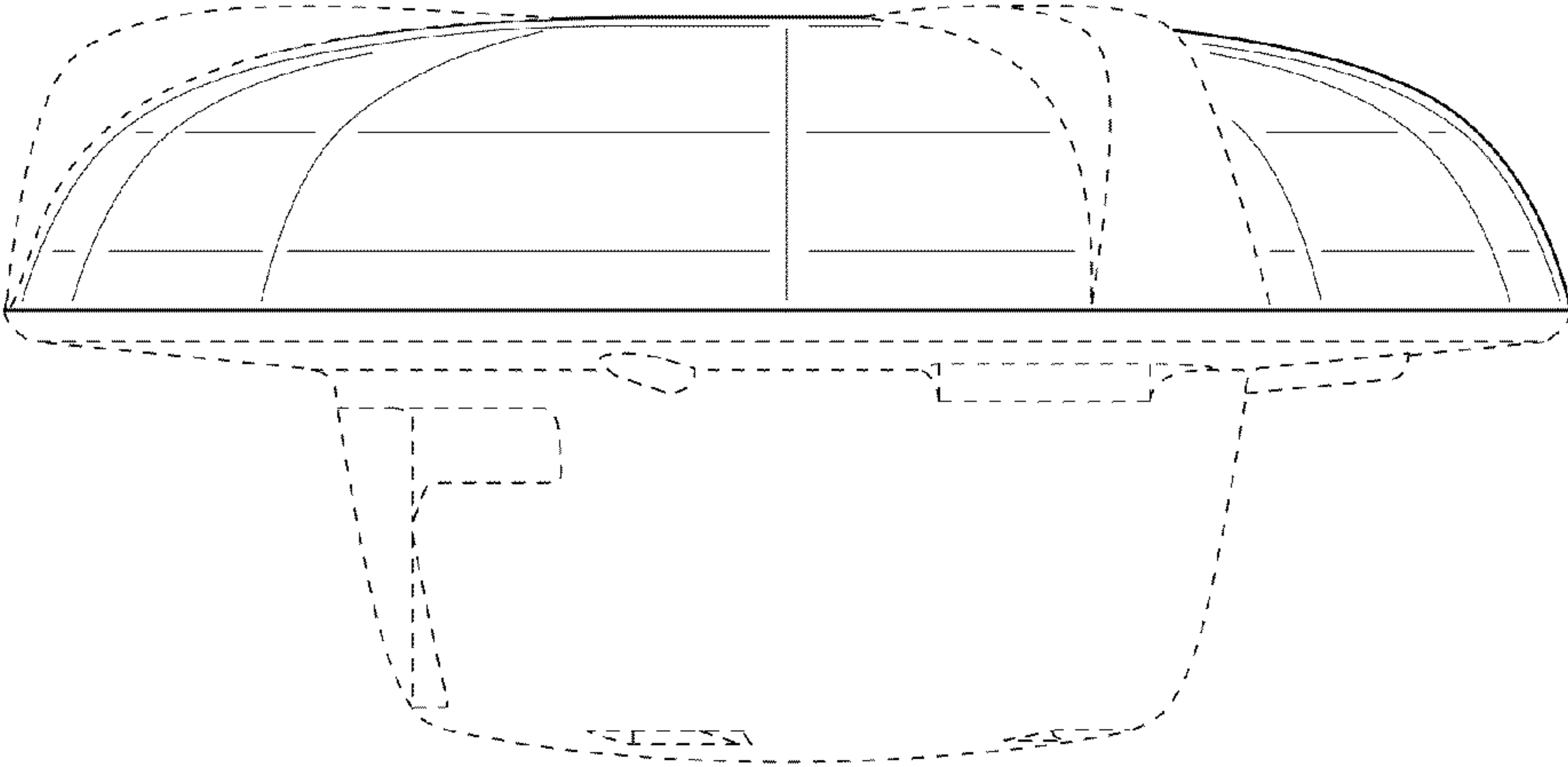


FIG.13

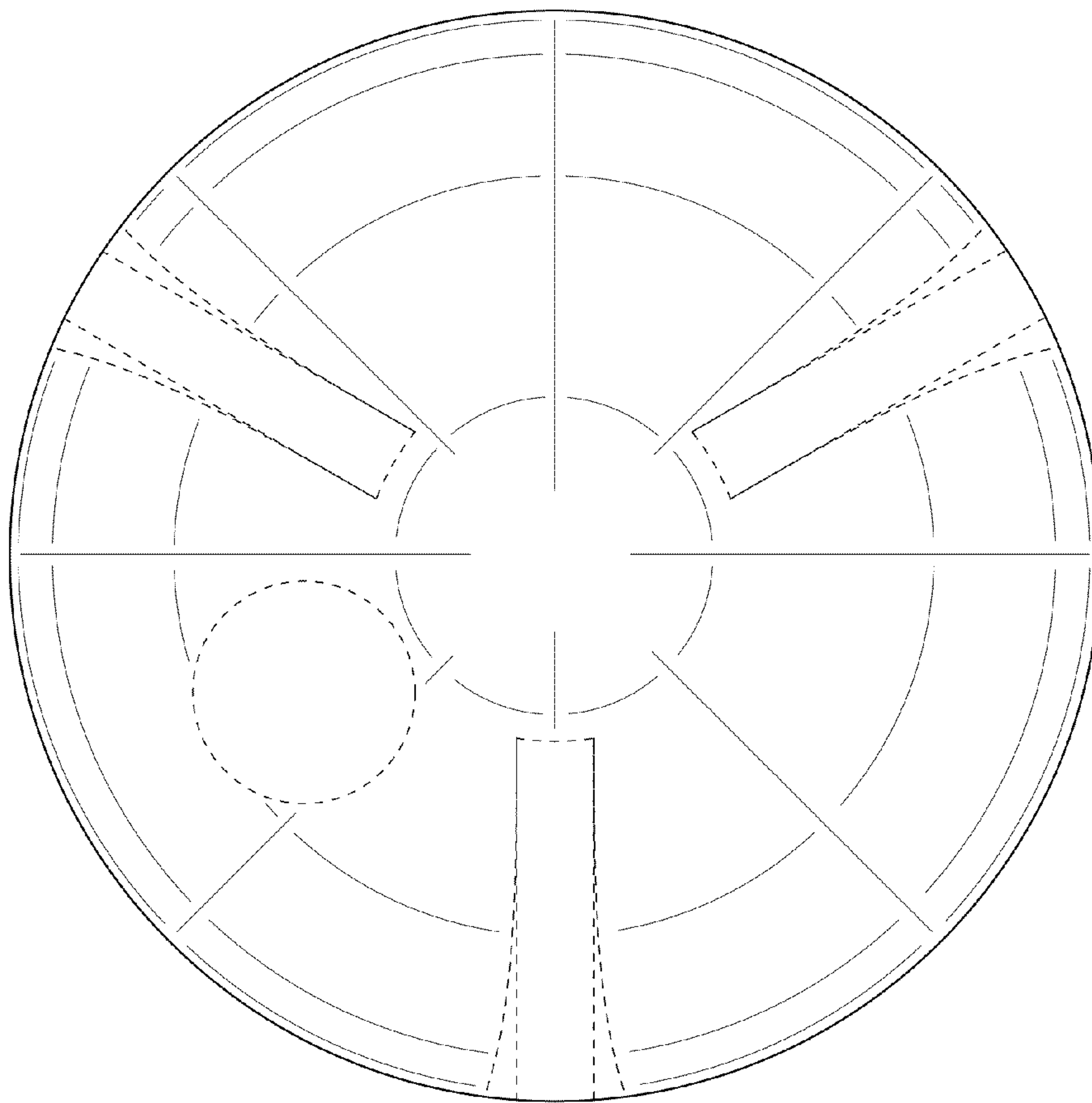


FIG.14

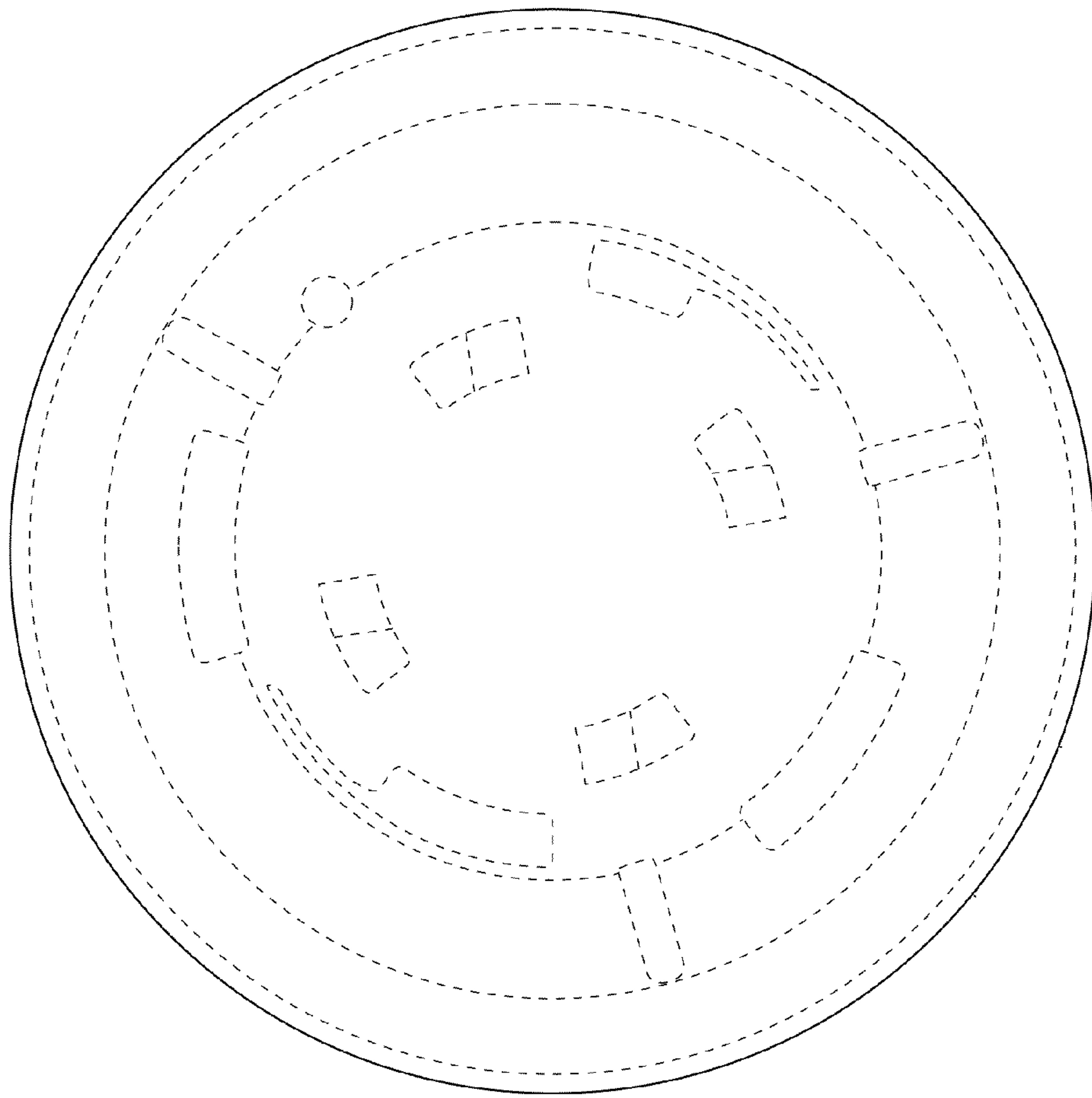


FIG.15

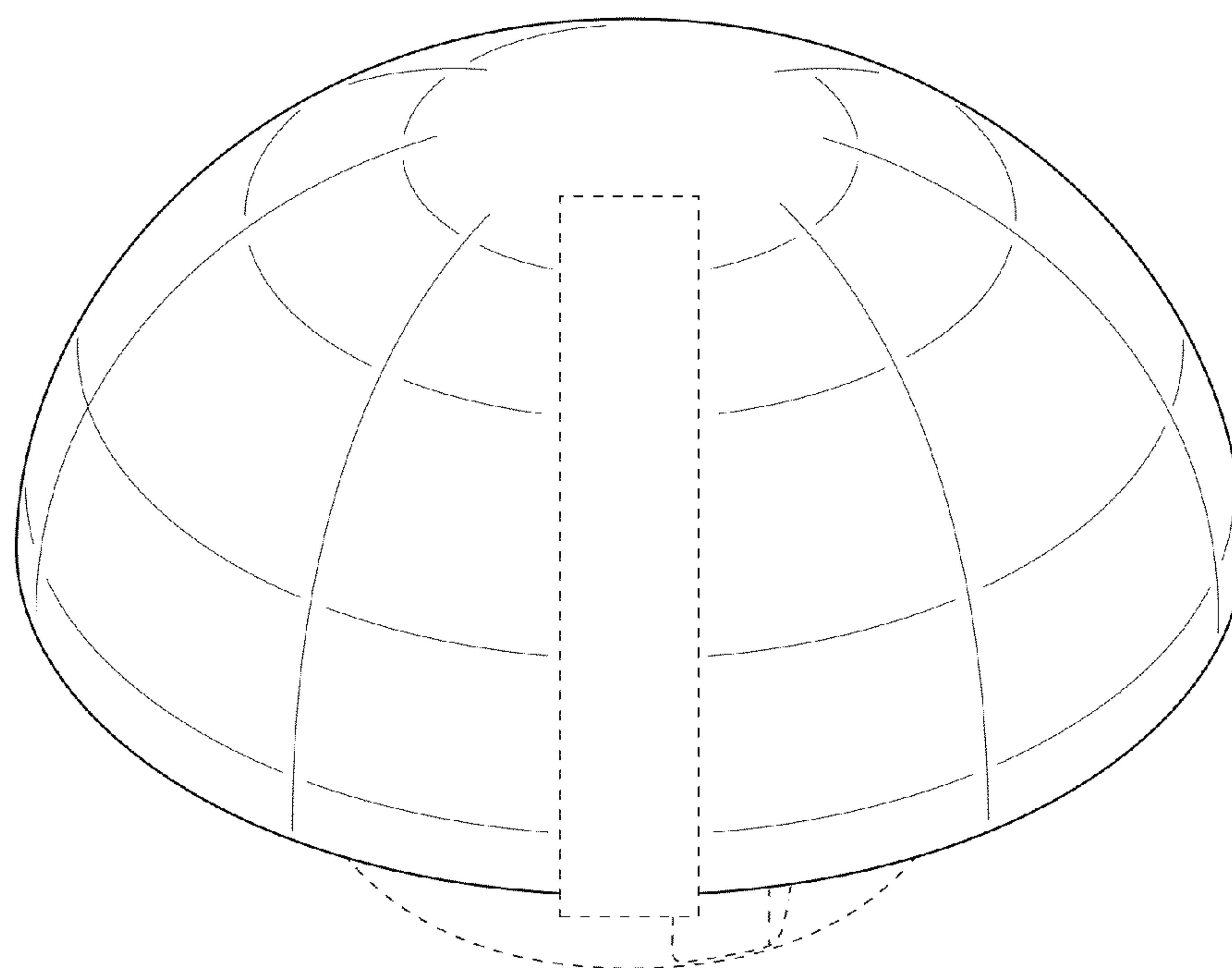


FIG.16

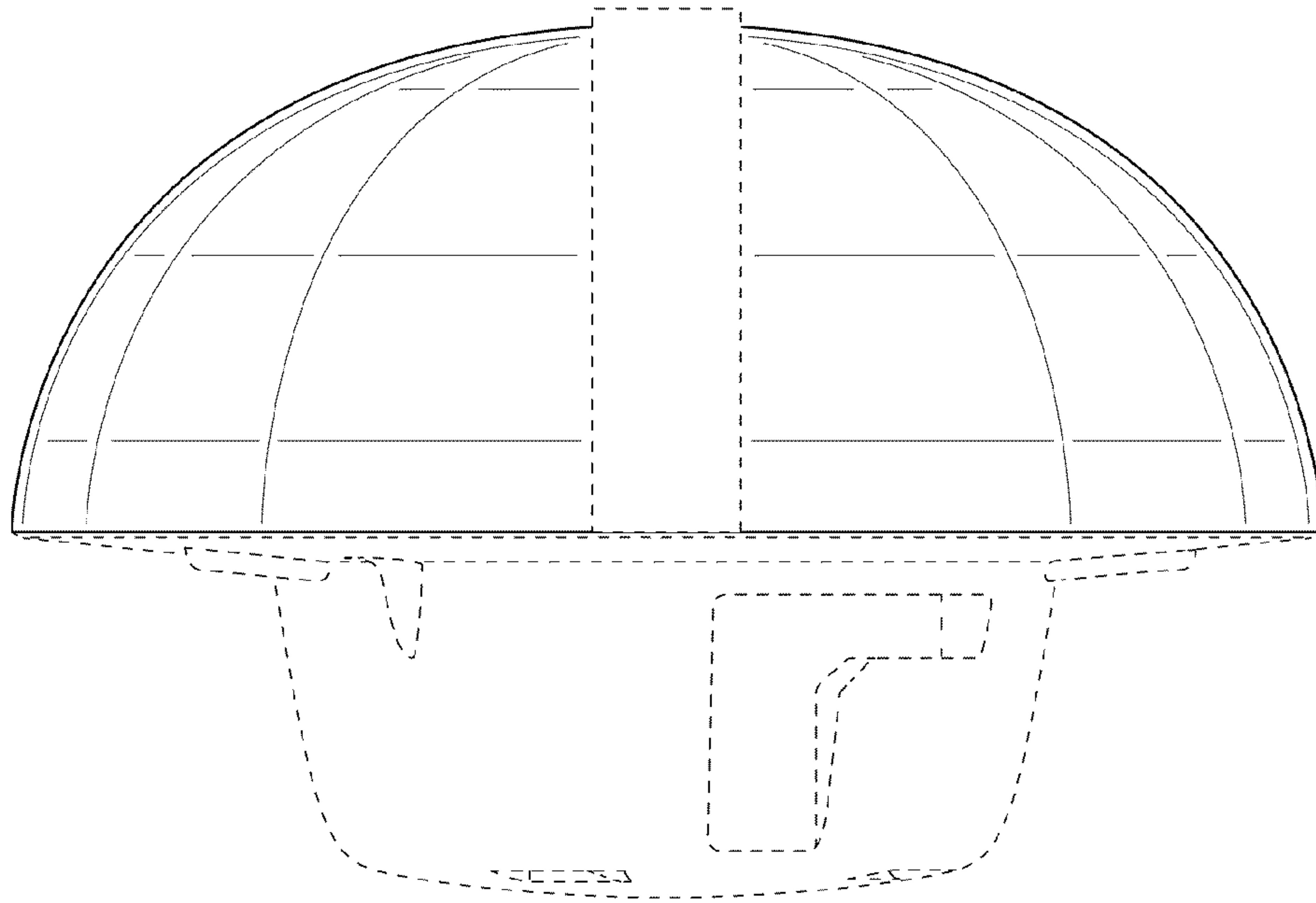


FIG.17

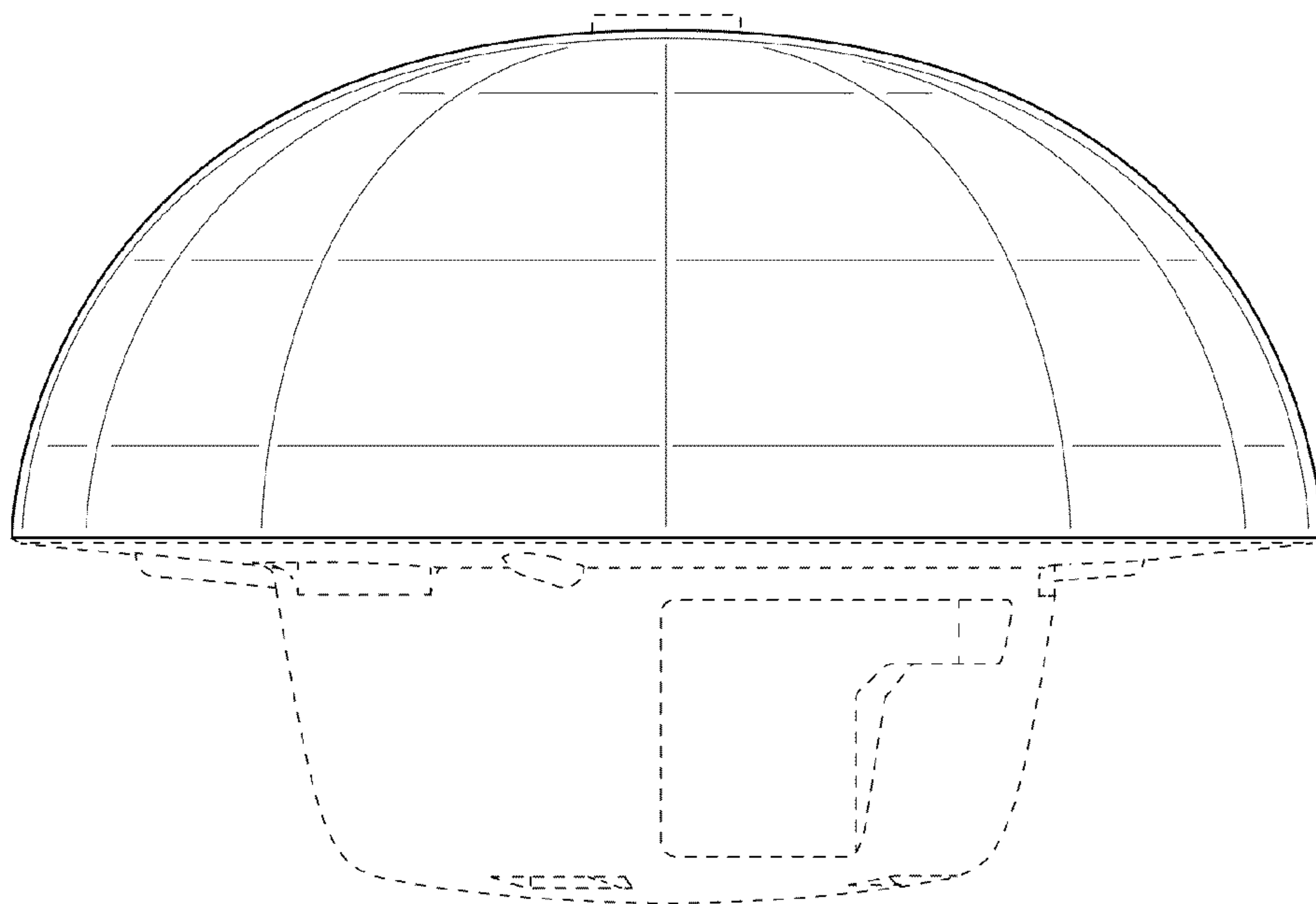


FIG.18

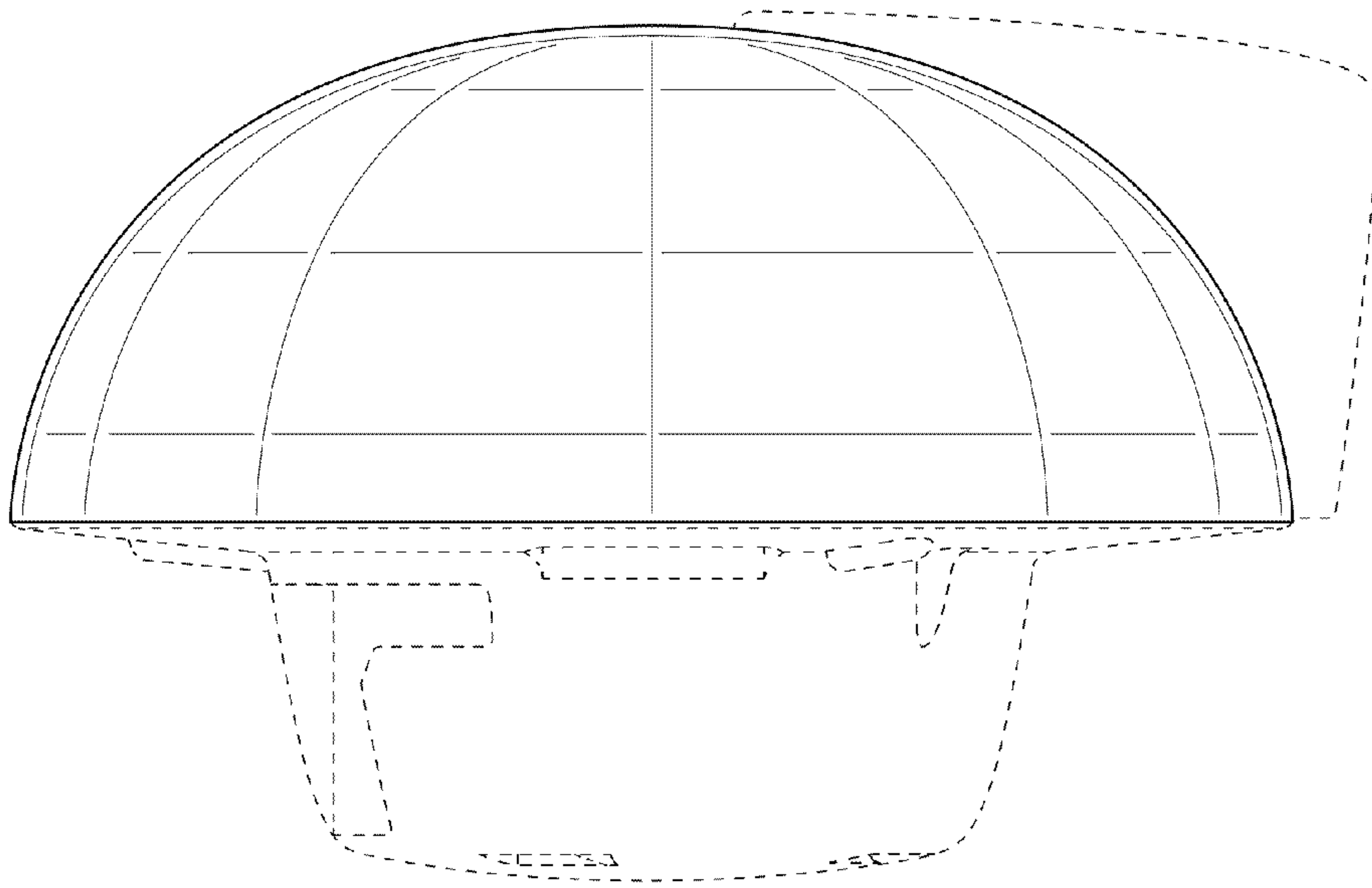


FIG.19

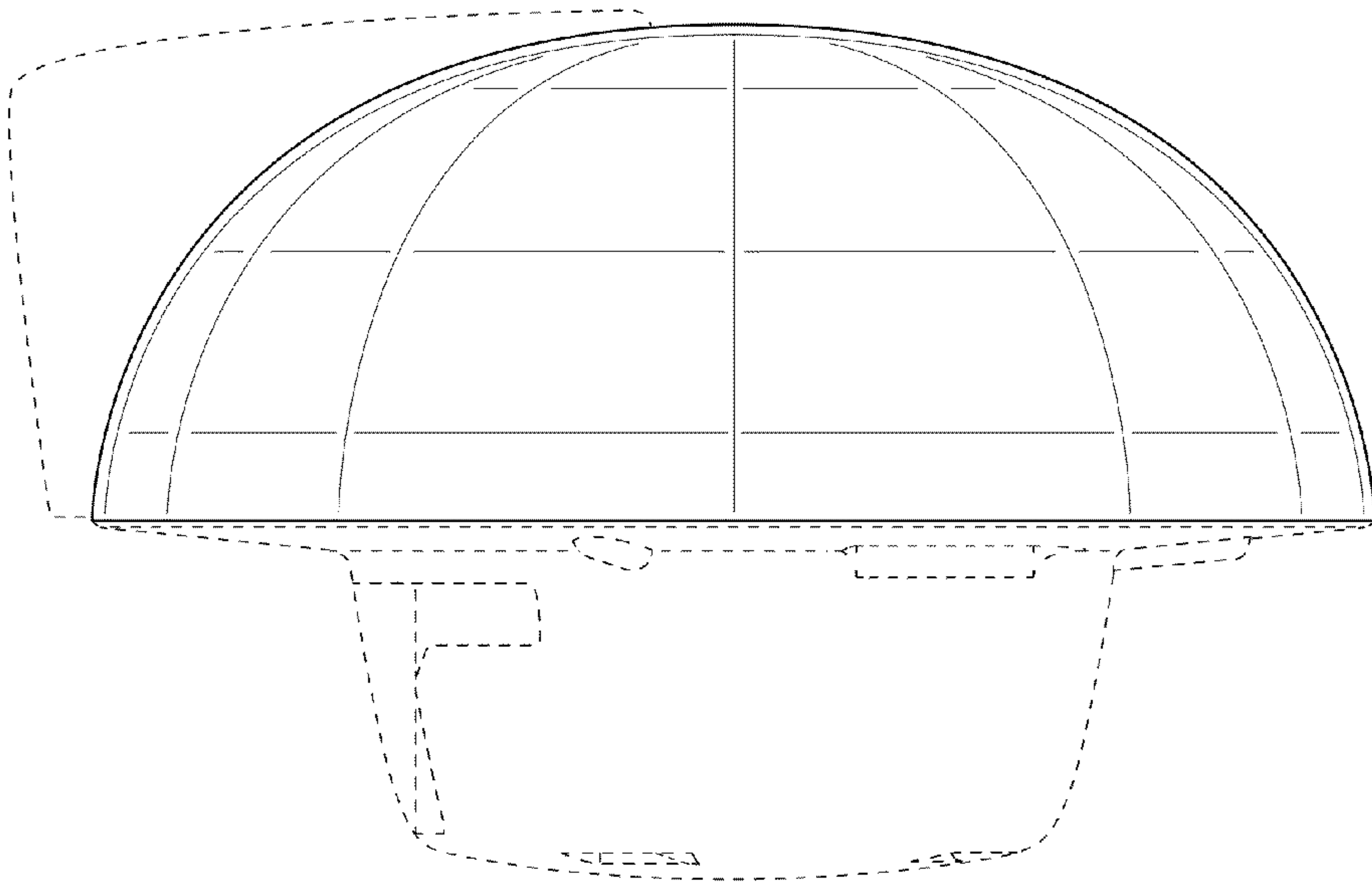


FIG.20

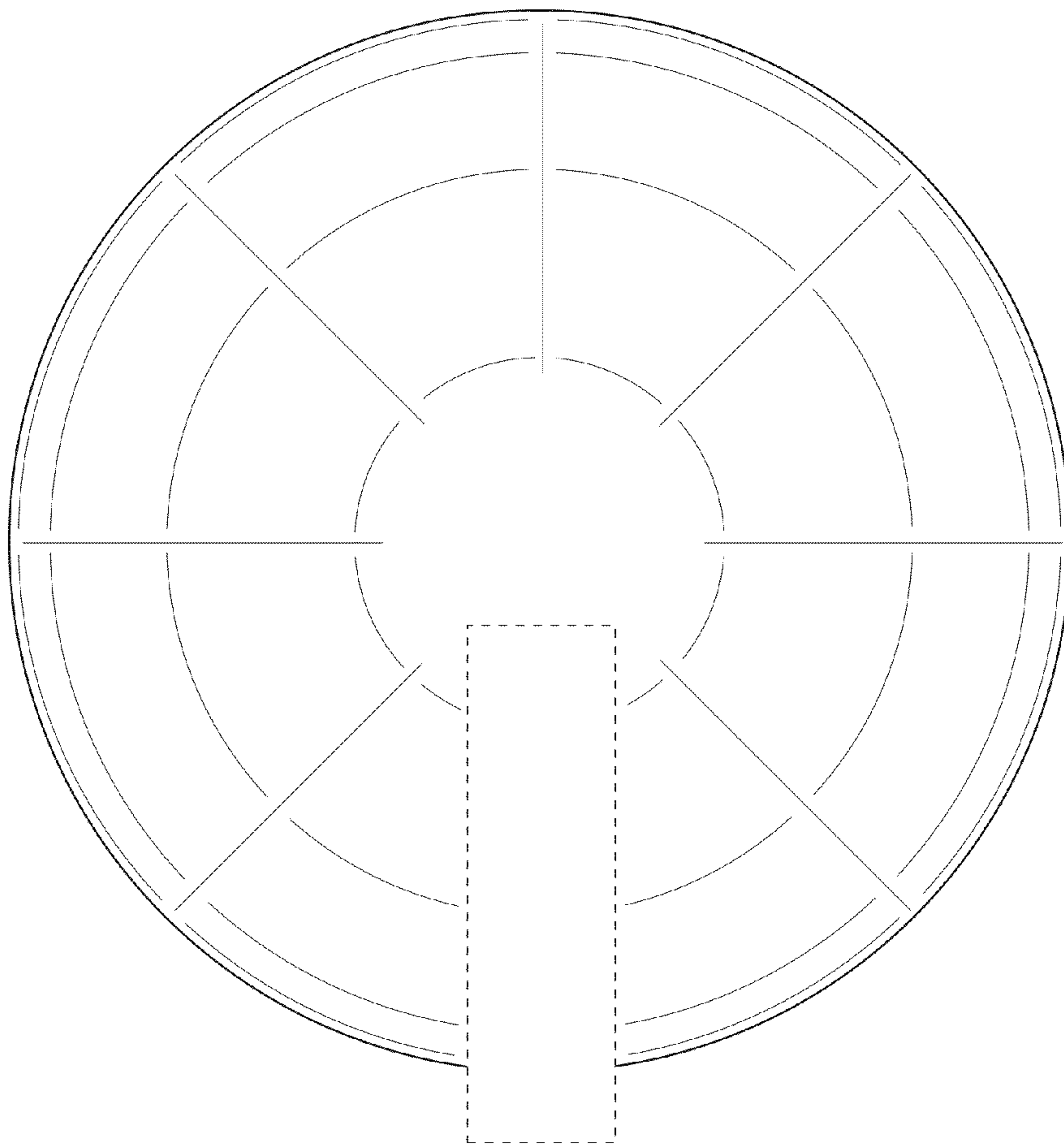


FIG.21

