



US00D736658S

(12) **United States Design Patent**
Tam

(10) **Patent No.:** **US D736,658 S**
(45) **Date of Patent:** **** Aug. 18, 2015**

(54) **DIAMOND SEGREGATOR**

Primary Examiner — Antoine D Davis

(71) Applicant: **Jubilee Diamond Instrument Limited,**
Hong Kong (HK)

(72) Inventor: **Kui Lim Tam,** Hong Kong (SG)

(73) Assignee: **JUBILEE DIAMOND INSTRUMENT LIMITED,** Hong Kong (HK)

(**) Term: **14 Years**

(21) Appl. No.: **29/492,142**

(22) Filed: **May 28, 2014**

(51) **LOC (10) Cl.** **10-04**

(52) **U.S. Cl.**
USPC **D10/78; D10/83**

(58) **Field of Classification Search**
USPC D10/46, 78, 83
CPC G01N 21/87–2021/9586; G01N 25/18;
G01N 27/041; G01N 33/24; G01N 33/381;
G01N 33/385; G06T 7/004–7/001; G01R
27/02; G01R 27/08; G01R 27/12
See application file for complete search history.

(56) **References Cited**

U.S. PATENT DOCUMENTS

D669,375 S * 10/2012 Kao et al. D10/81
2014/0329330 A1 * 11/2014 Williams et al. 436/100
2015/0077525 A1 * 3/2015 Fujiwara 348/50

* cited by examiner

(57) **CLAIM**

The ornamental design for a diamond segregator, as shown and described.

DESCRIPTION

FIG. 1 is a perspective view of a diamond segregator in closed status;
FIG. 2 is a front elevational view thereof;
FIG. 3 is a rear elevational view thereof;
FIG. 4 is a left side view thereof;
FIG. 5 is a right side view thereof;
FIG. 6 is a top plan view thereof;
FIG. 7 is a bottom plan view thereof;
FIG. 8 is a perspective view of the diamond segregator in opened status;
FIG. 9 is a front elevational view of FIG. 8;
FIG. 10 is a rear elevational view of FIG. 8;
FIG. 11 is a left side view of FIG. 8;
FIG. 12 is a right side view of FIG. 8;
FIG. 13 is a top plan view of FIG. 8; and,
FIG. 14 is a bottom plan view of FIG. 8.

The present application relates to the ornamental design of a diamond segregator which is used to determine if a colorless diamond is earth mined, treated/grown by High Pressure-High Temperature (HPHT) processes or lab created using Chemical Vapor Deposition (CVD).

1 Claim, 14 Drawing Sheets



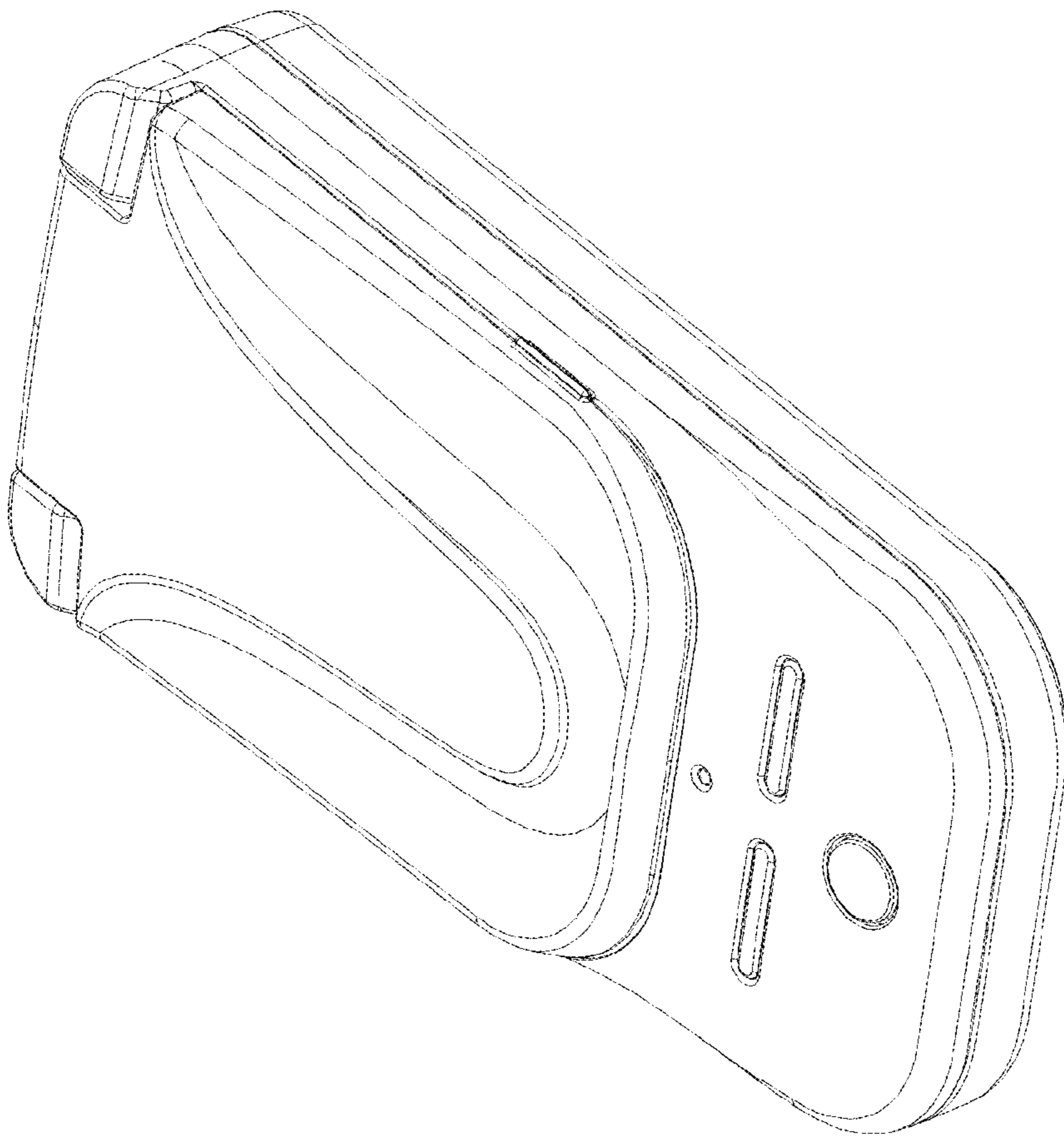


Fig. 1

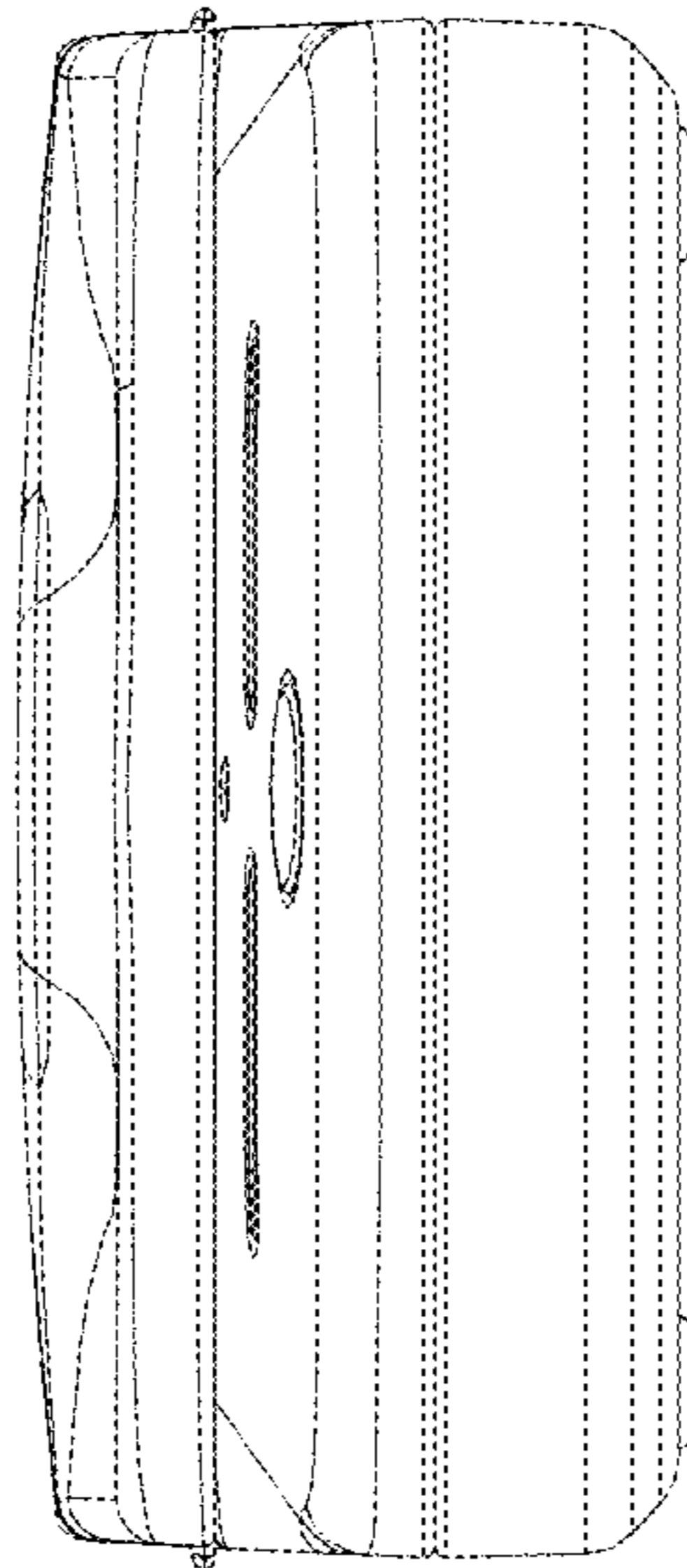


Fig. 2

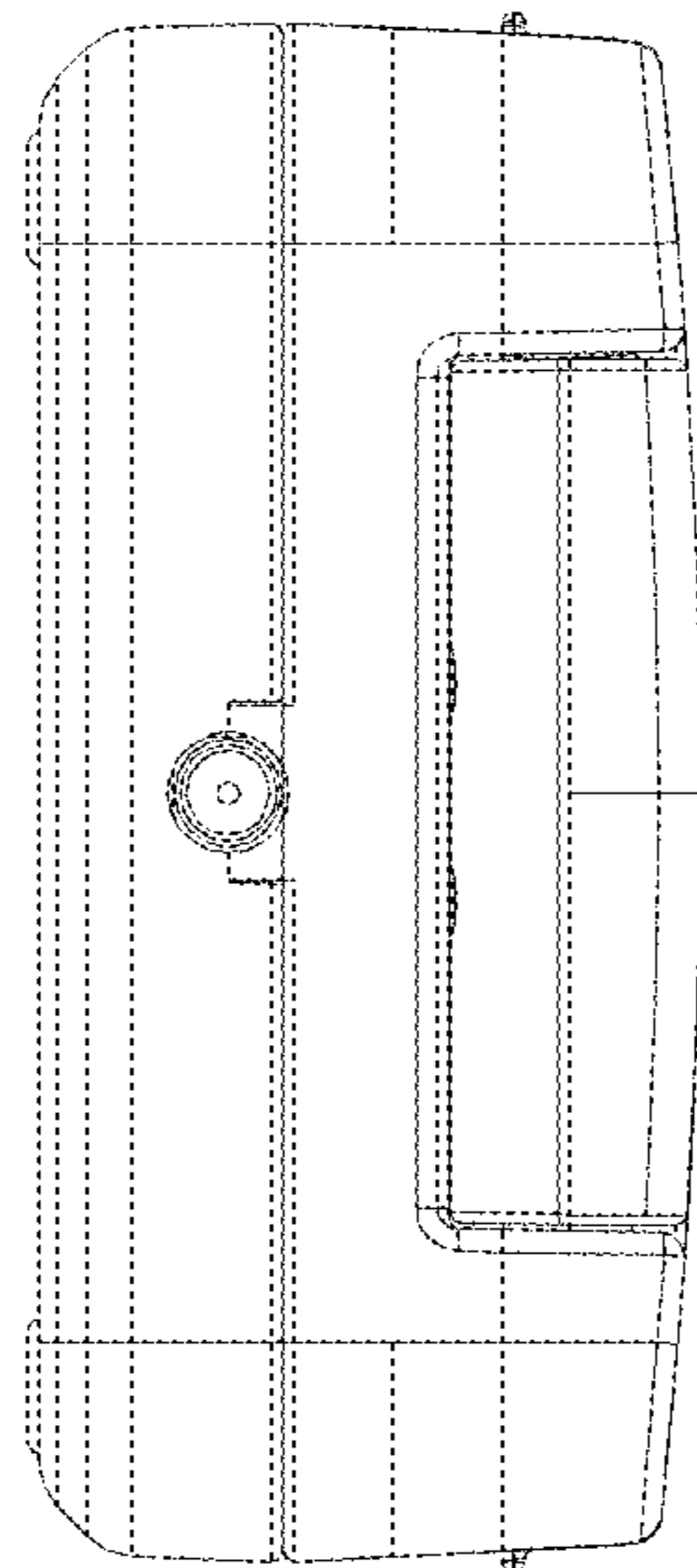


Fig. 3

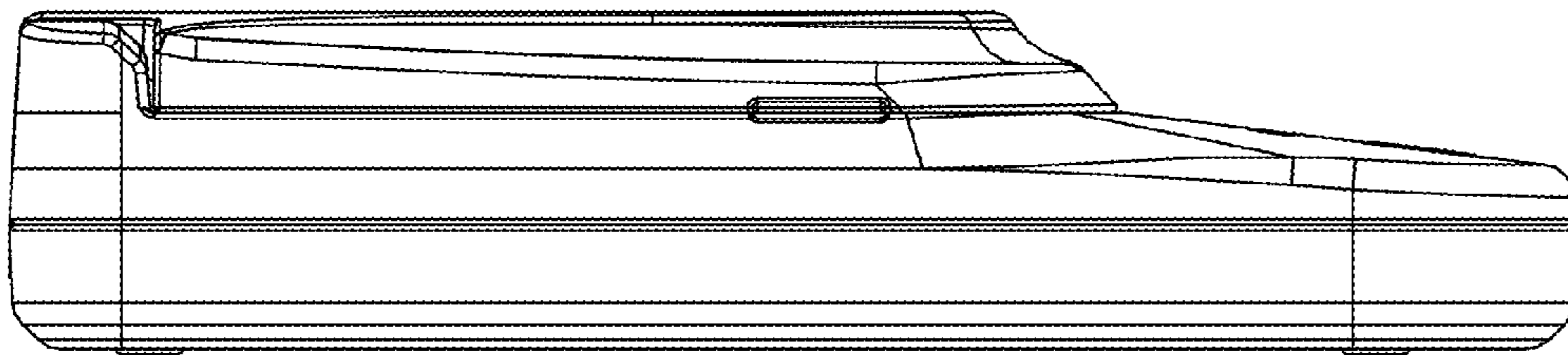


Fig. 4

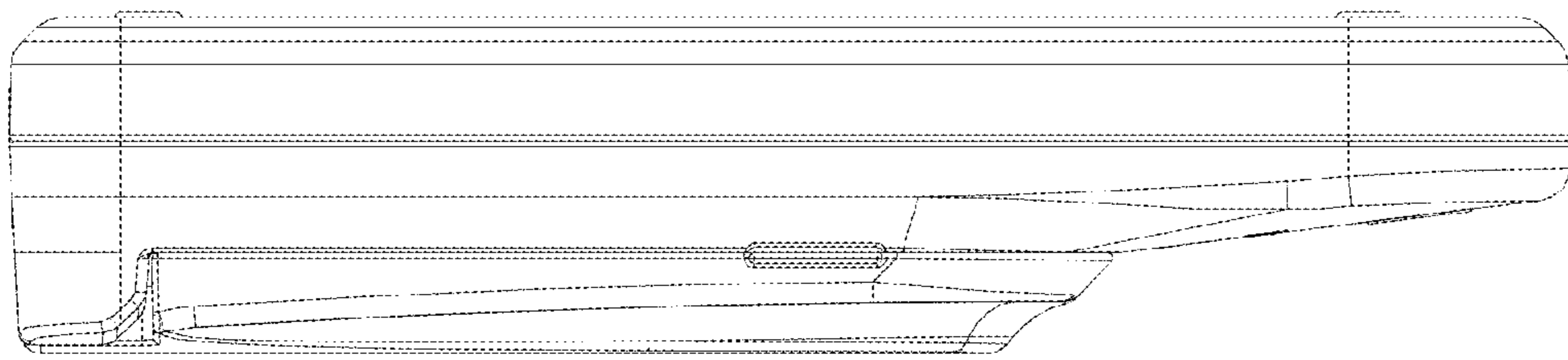


Fig. 5

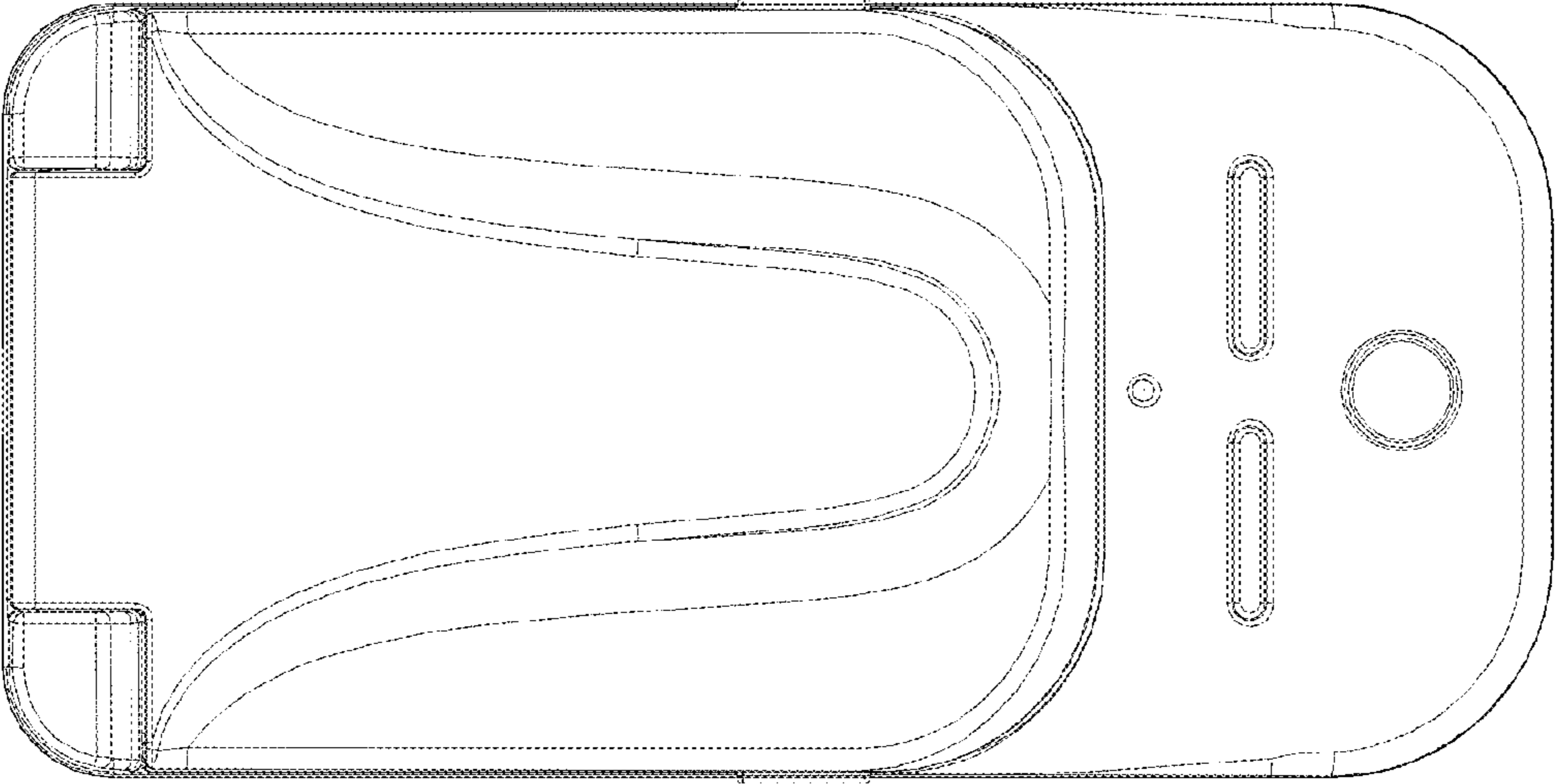


Fig. 6

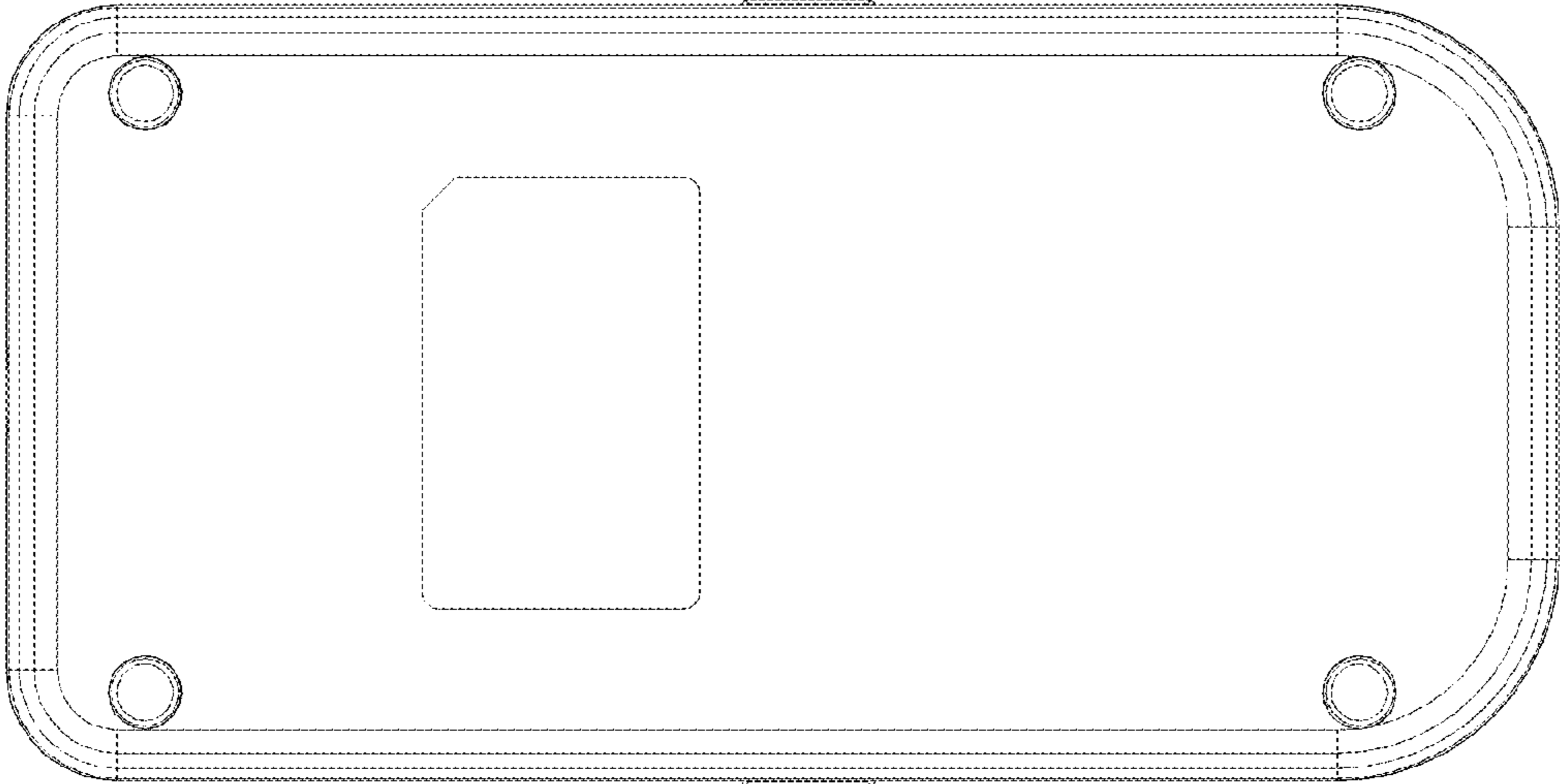


Fig. 7

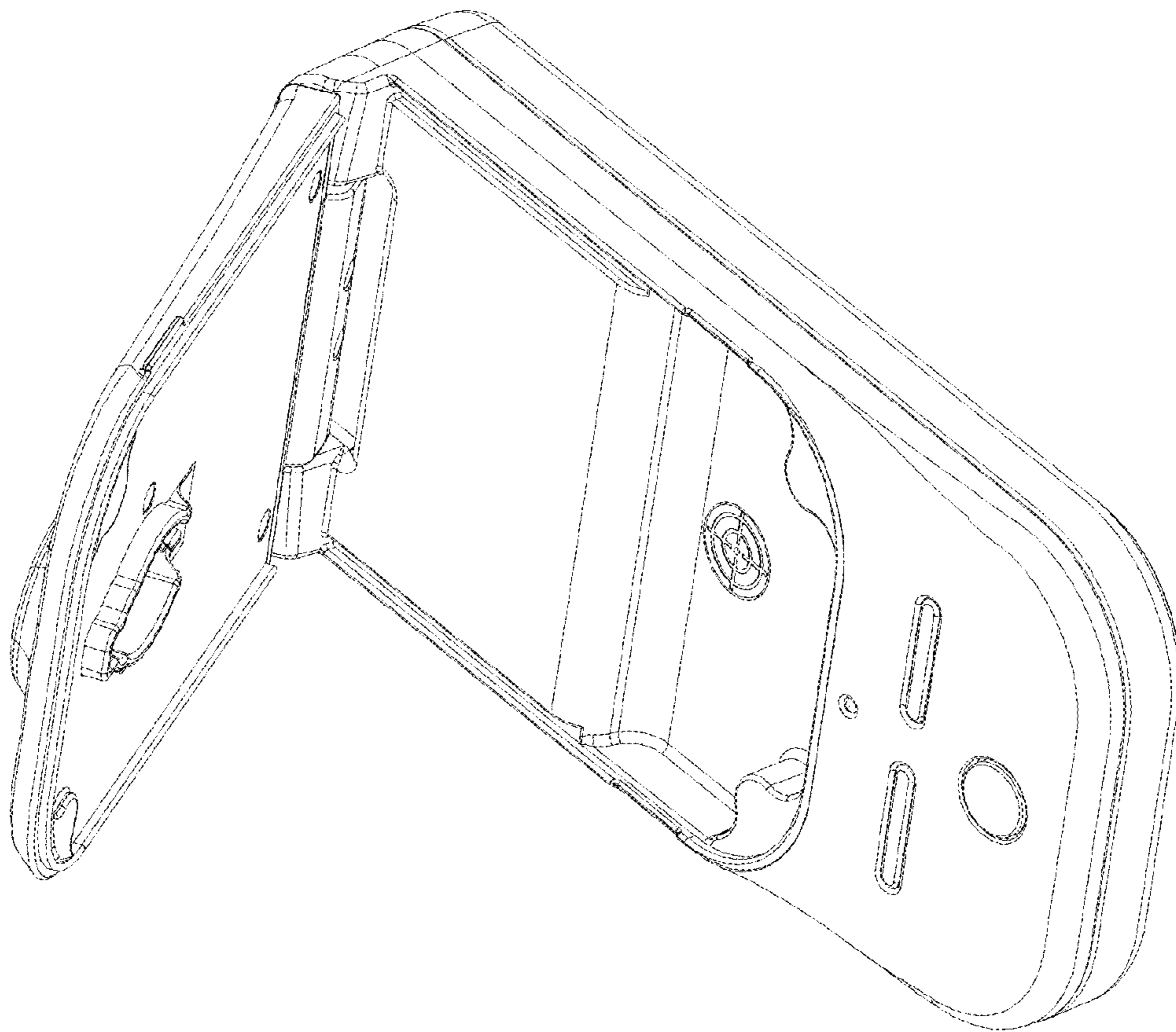


Fig. 8

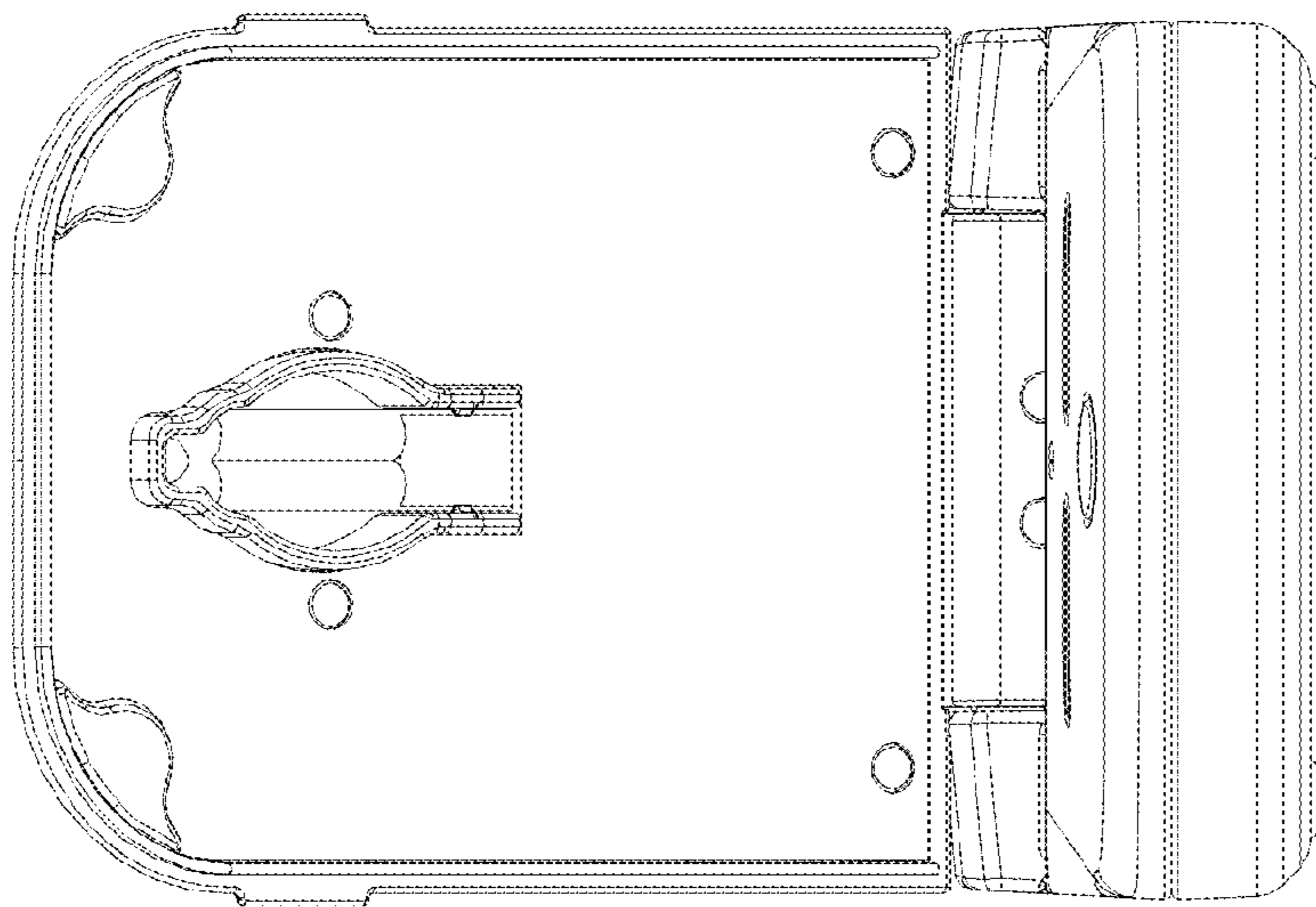


Fig. 9

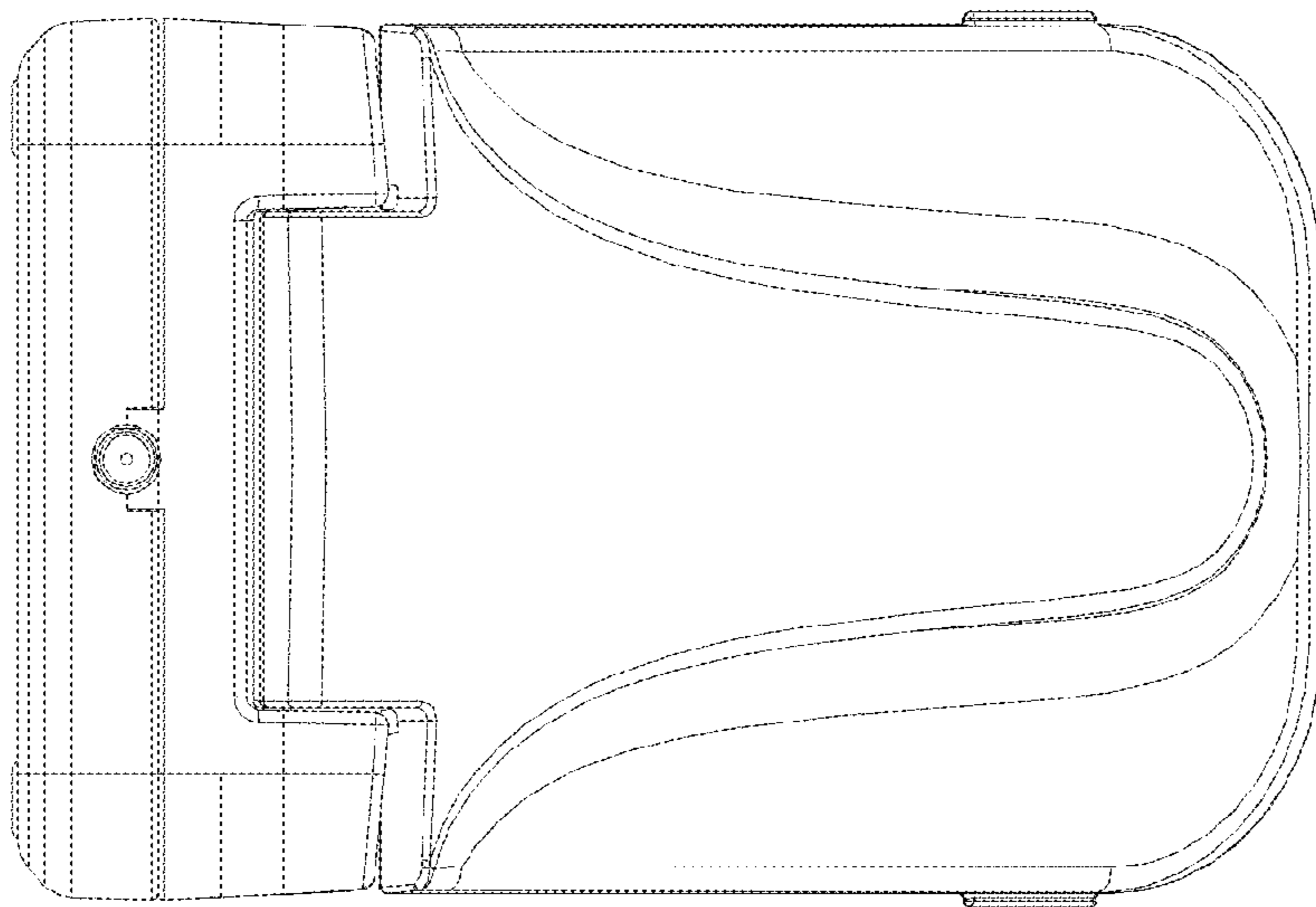


Fig. 10

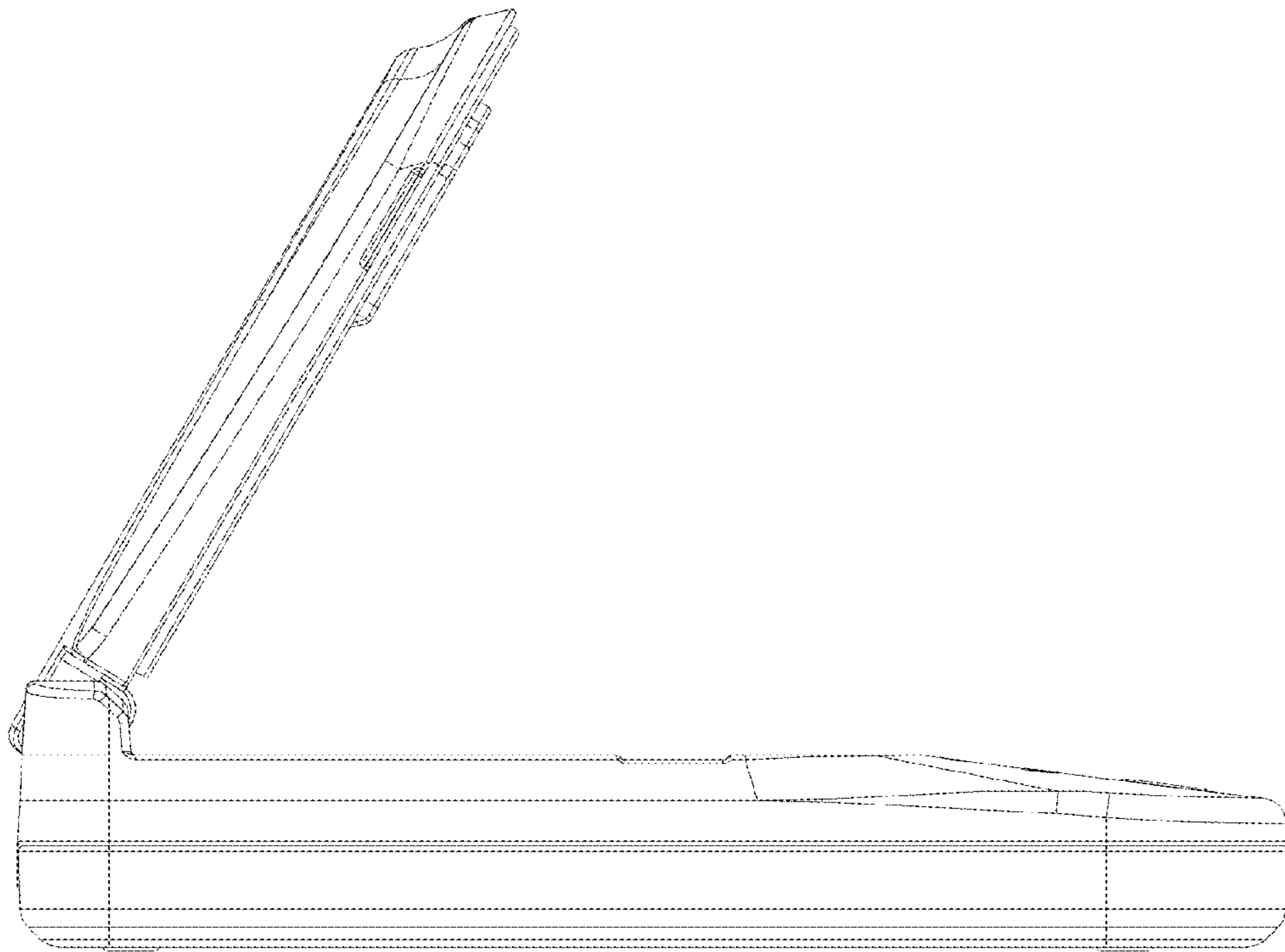


Fig. 11

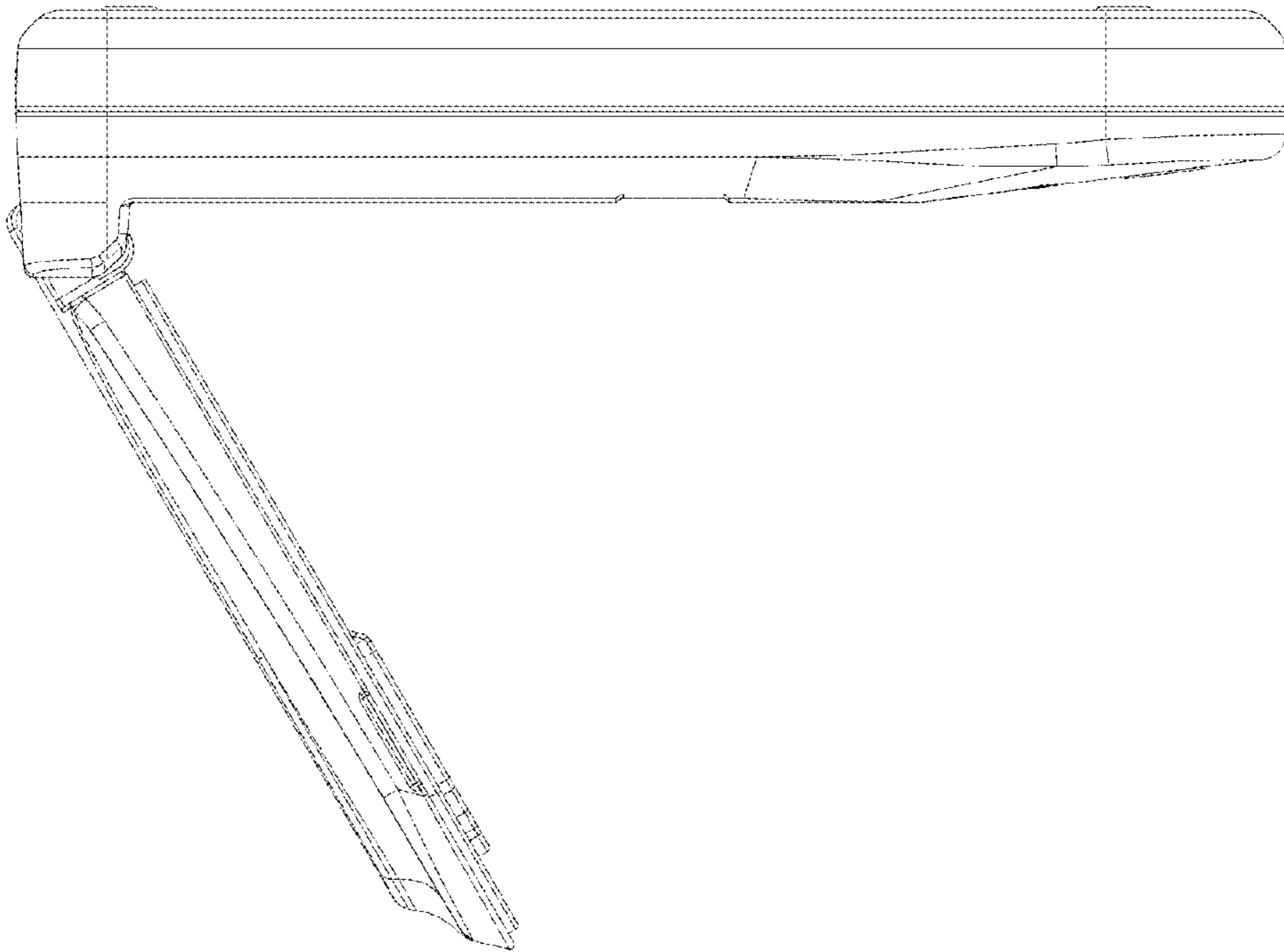


Fig. 12

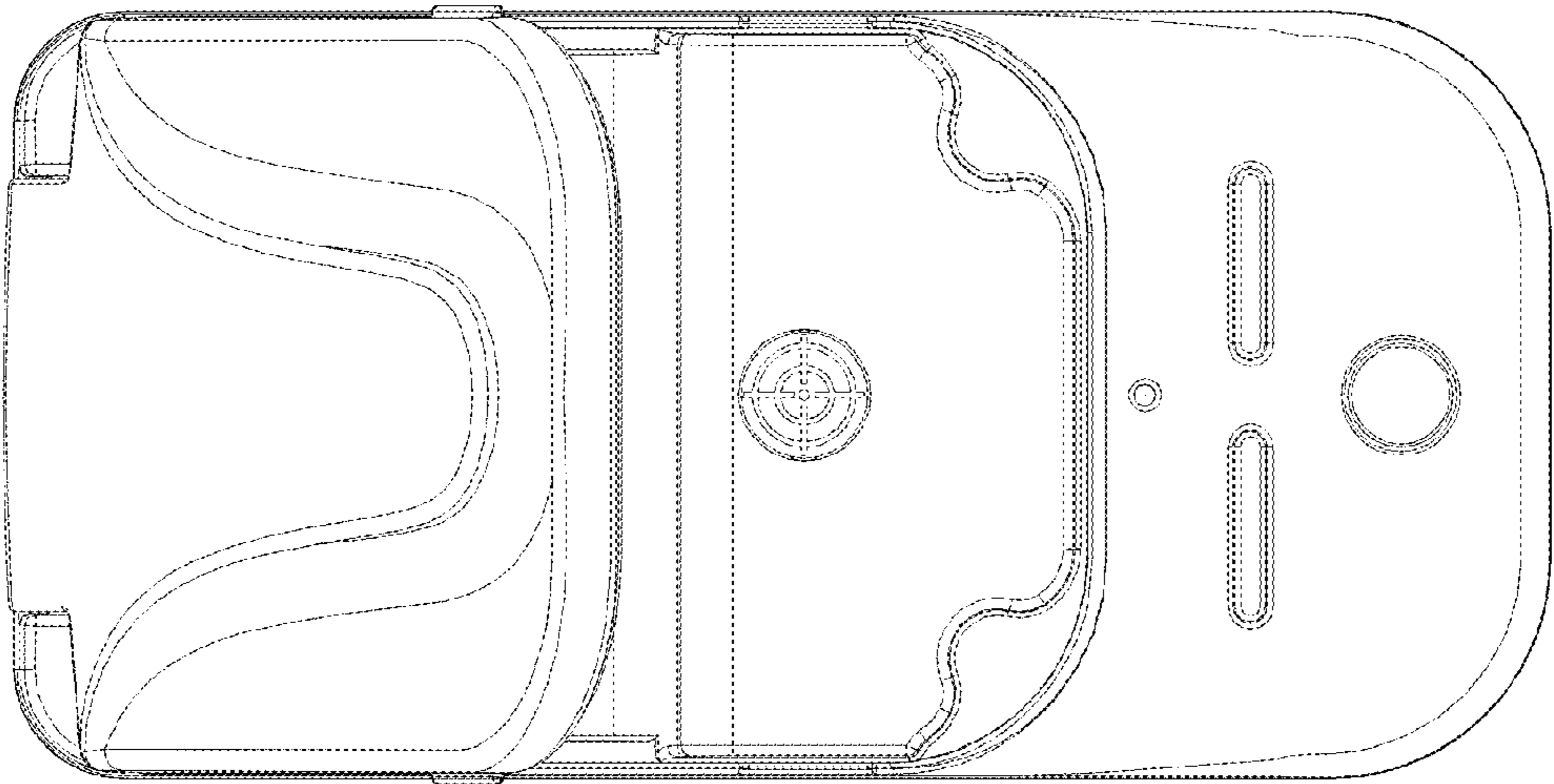


Fig. 13

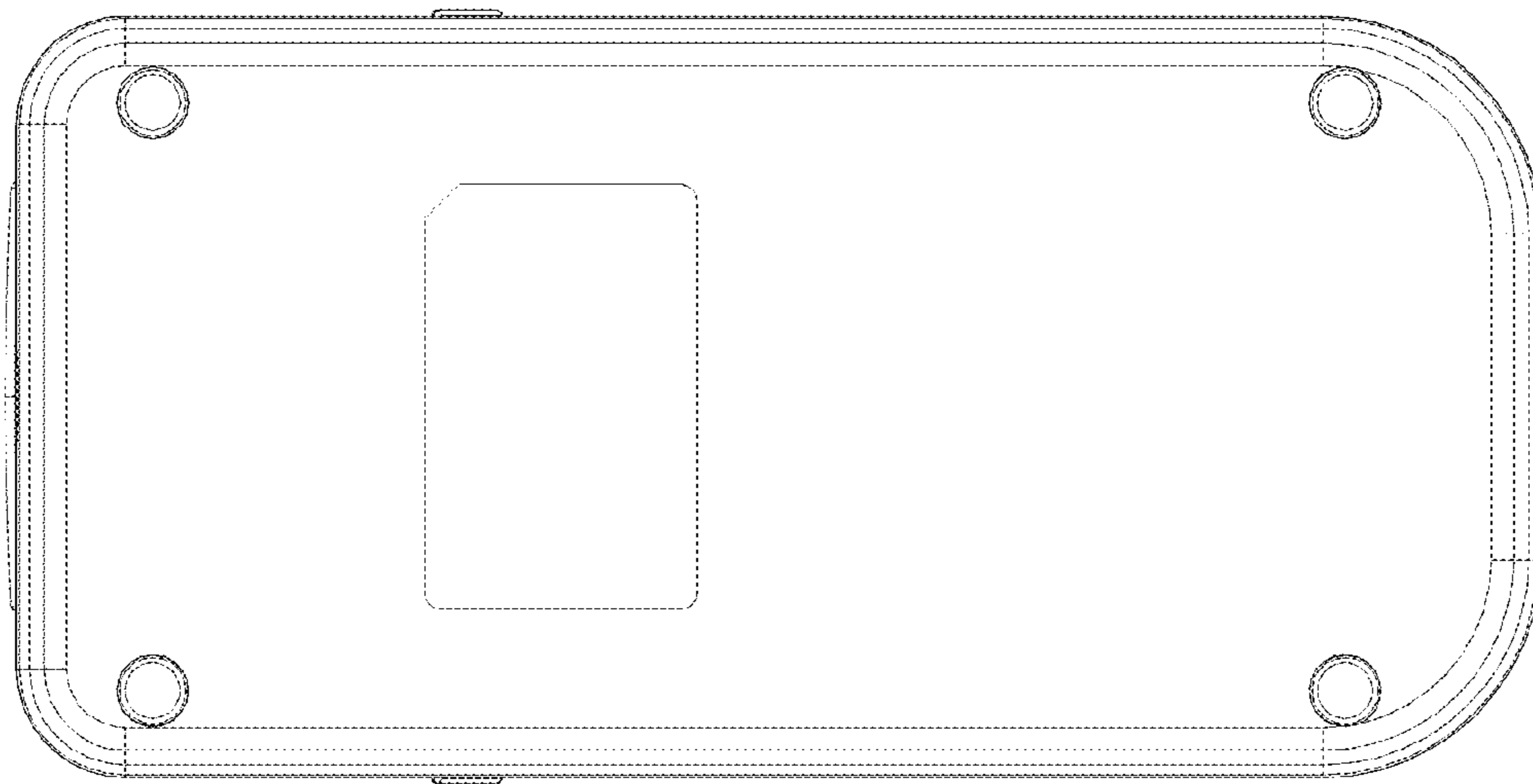


Fig. 14