

US00D736657S

(12) **United States Design Patent**
Detering et al.

(10) **Patent No.:** **US D736,657 S**

(45) **Date of Patent:** **** Aug. 18, 2015**

(54) **OPTOELECTRONIC SENSOR**

2013/0341495 A1* 12/2013 Fabbri et al. 250/214.1

* cited by examiner

(71) Applicant: **SICK AG**, Waldkirch (DE)

Primary Examiner — Antoine D Davis

(72) Inventors: **Frank Detering**, Stuttgart (DE);
Nikolaus Schill, Waldkirch (DE)

(74) *Attorney, Agent, or Firm* — Nath, Goldberg & Meyer;
Jerald L. Meyer; Rury L. Grisham

(73) Assignee: **SICK AG**, Waldkirch (DE)

(57) **CLAIM**

The ornamental design for optoelectronic sensor, as shown and described.

(**) Term: **14 Years**

DESCRIPTION

(21) Appl. No.: **29/490,573**

FIG. 1 is a perspective view of the claimed design;

(22) Filed: **May 12, 2014**

FIG. 2 is a front view thereof;

(30) **Foreign Application Priority Data**

Nov. 12, 2013 (EM) 001389654

FIG. 3 is a back view thereof;

(51) **LOC (10) Cl.** **10-04**

FIG. 4 is a right side view thereof;

(52) **U.S. Cl.**

USPC **D10/46**; D10/75

FIG. 5 is a left side view thereof;

(58) **Field of Classification Search**

USPC D10/46, 70, 75

FIG. 6 is a top view thereof;

CPC G01N 21/00–21/958; G01N

FIG. 7 is a bottom view thereof;

2021/0106–2021/9586; G01C 17/026; G01S

FIG. 8 is a perspective view of a second embodiment of the claimed design;

17/936; G01S 17/42; G01S 17/06; G01S

FIG. 9 is a front view thereof;

17/87; G01S 7/4817; G01S 7/42; G01S 7/87;

FIG. 10 is a back view thereof;

G01S 7/487; G01S 7/497; G01S 7/95; G01S

FIG. 11 is a right side view thereof;

7/4812; G01S 7/484

FIG. 12 is a left side view thereof;

See application file for complete search history.

FIG. 13 is a top view thereof;

FIG. 14 is a bottom view thereof;

FIG. 15 is a perspective view of a third embodiment of the claimed design;

FIG. 16 is a front view thereof;

FIG. 17 is a back view thereof;

FIG. 18 is a right side view thereof;

FIG. 19 is a left side view thereof;

FIG. 20 is a top view thereof; and,

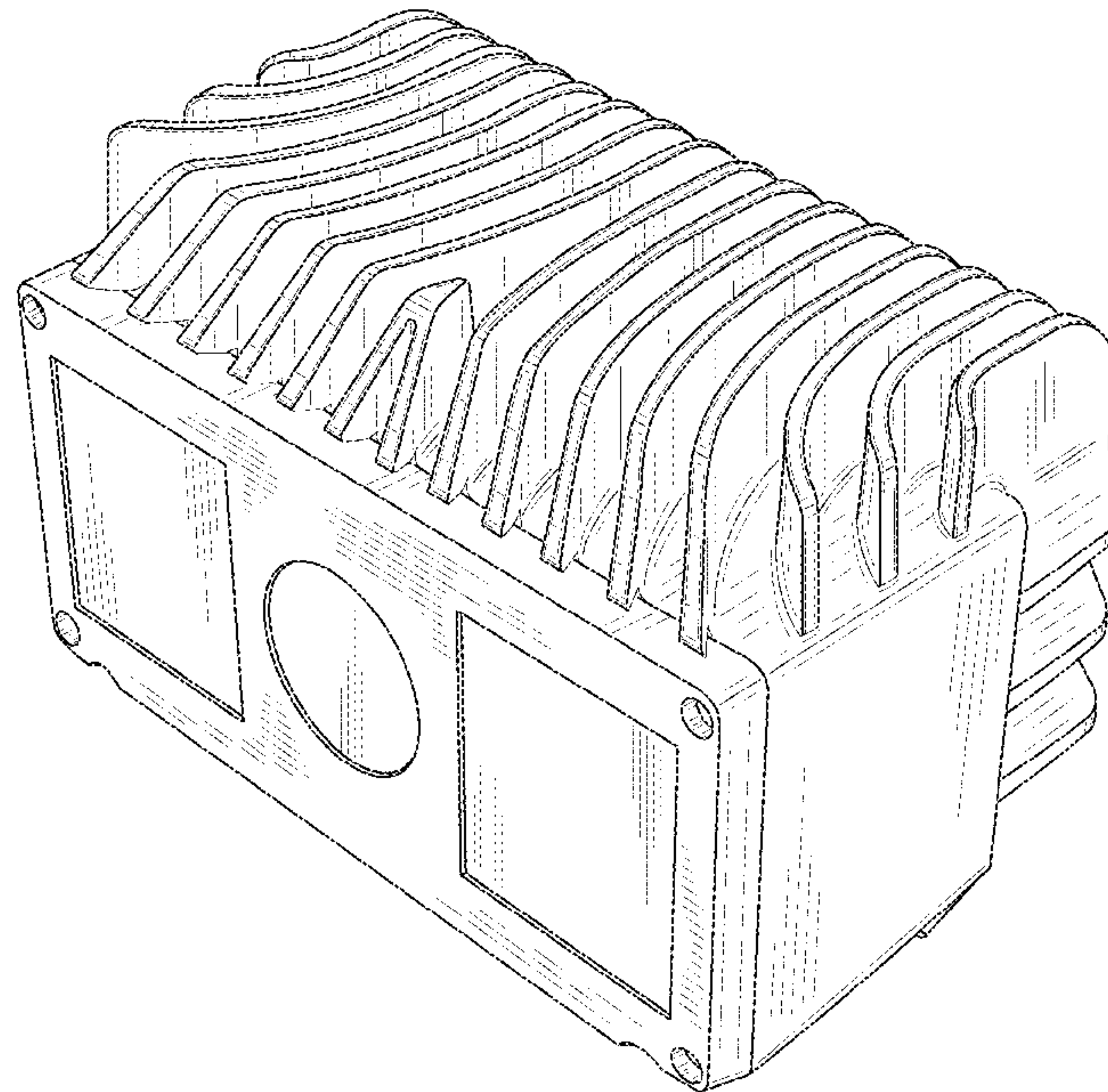
FIG. 21 is a bottom view thereof.

(56) **References Cited**

U.S. PATENT DOCUMENTS

7,215,363 B2* 5/2007 Stamm 348/207.99

1 Claim, 21 Drawing Sheets



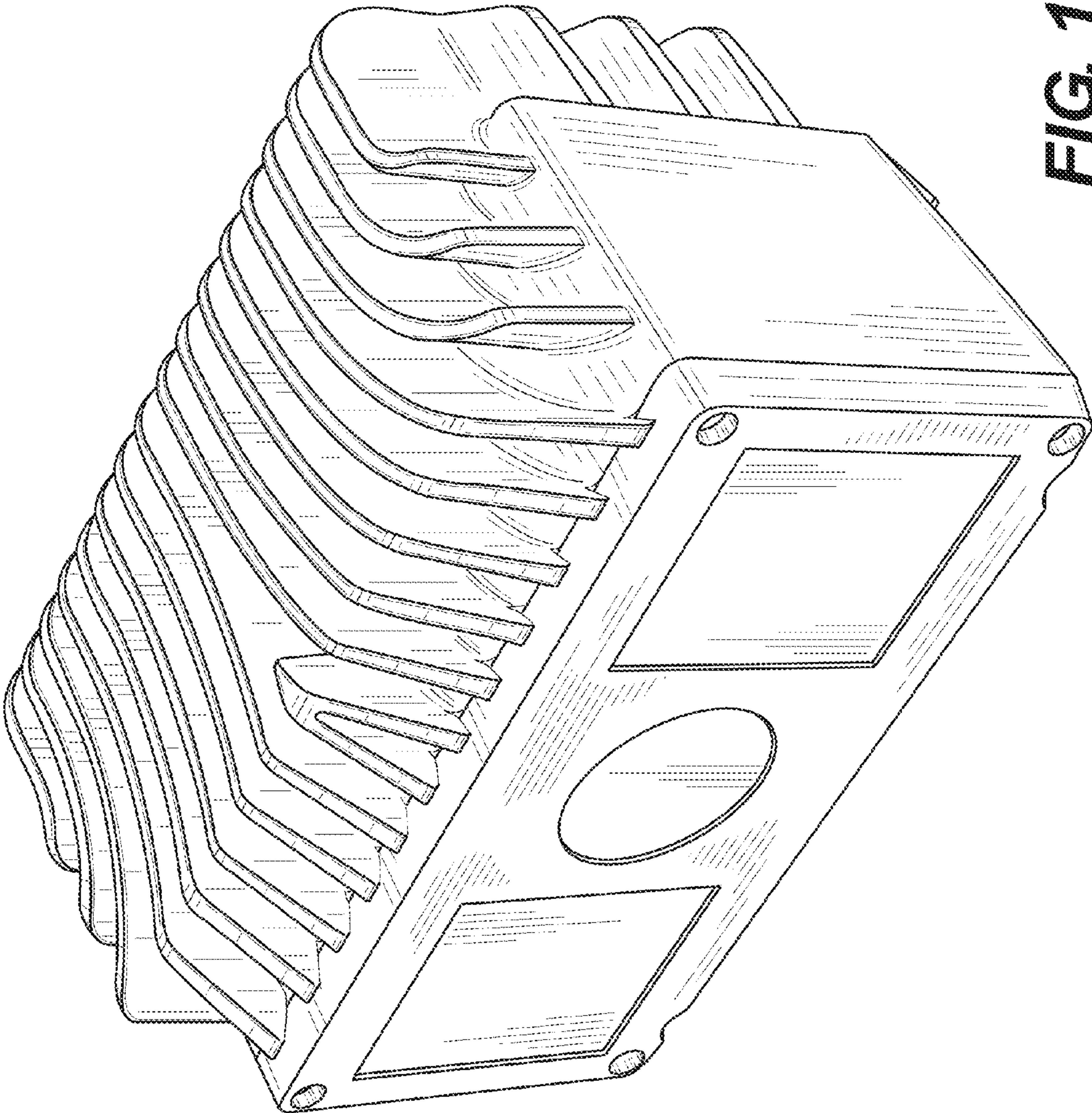


FIG. 1

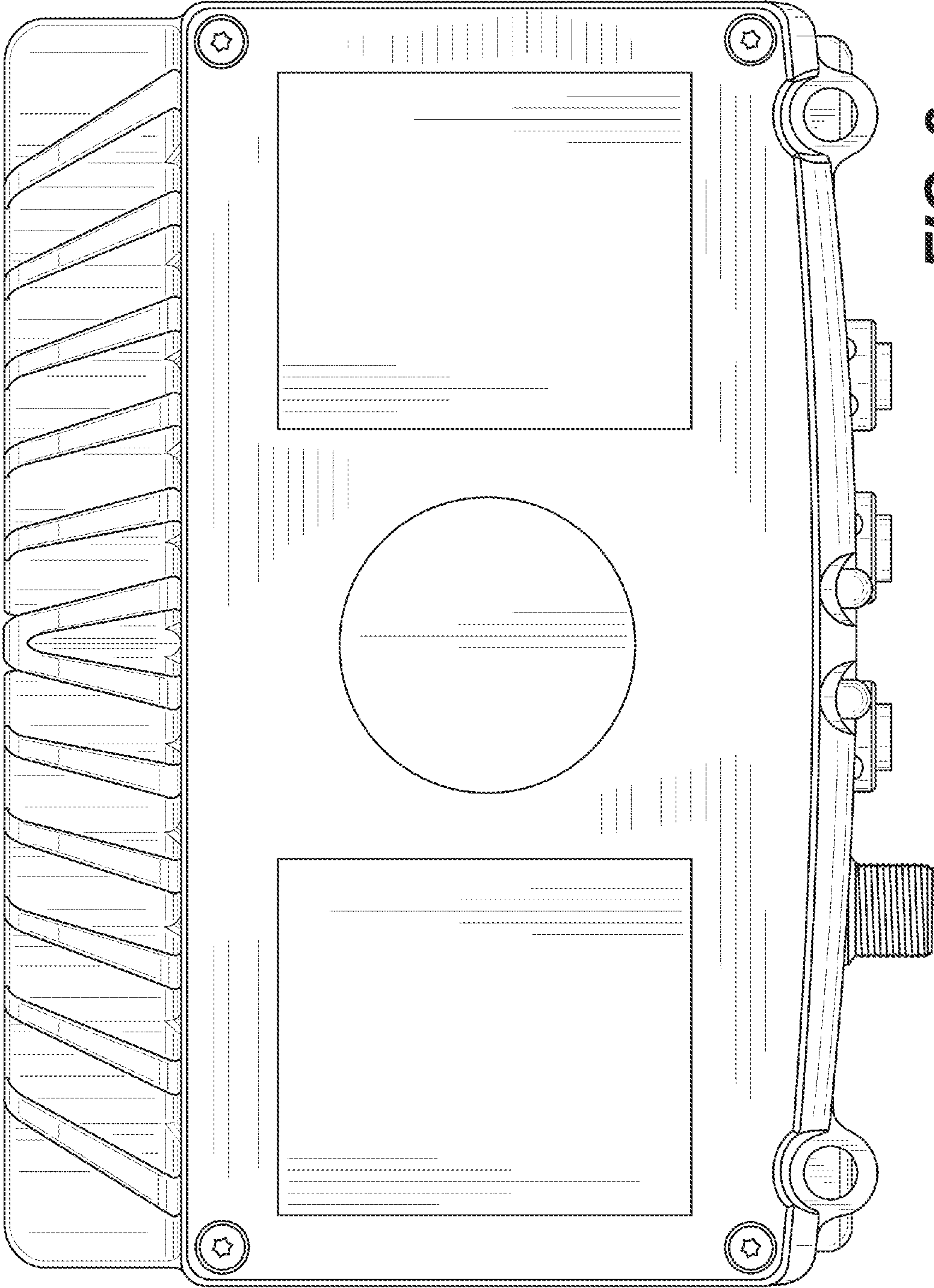


FIG. 2

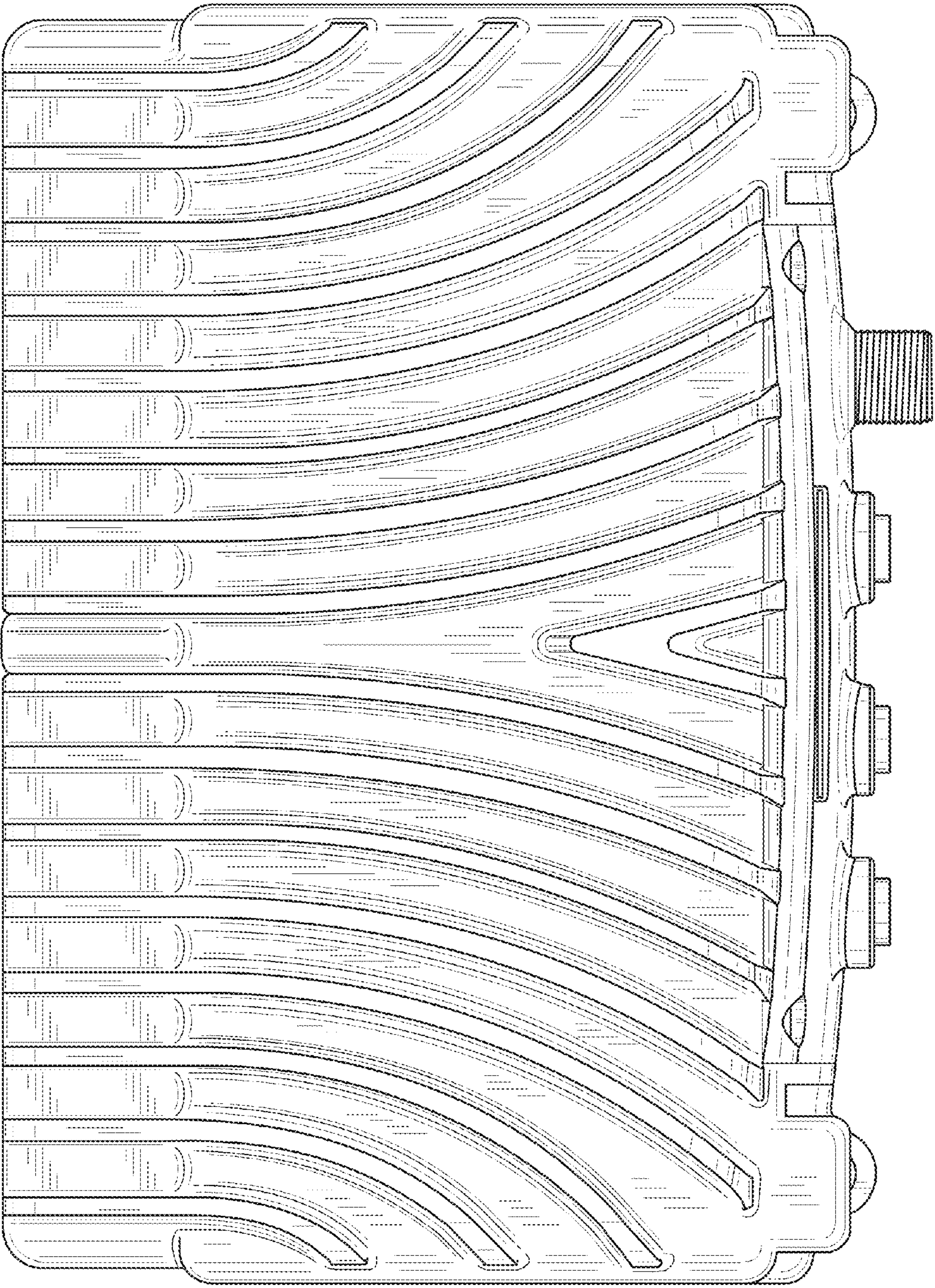


FIG. 3

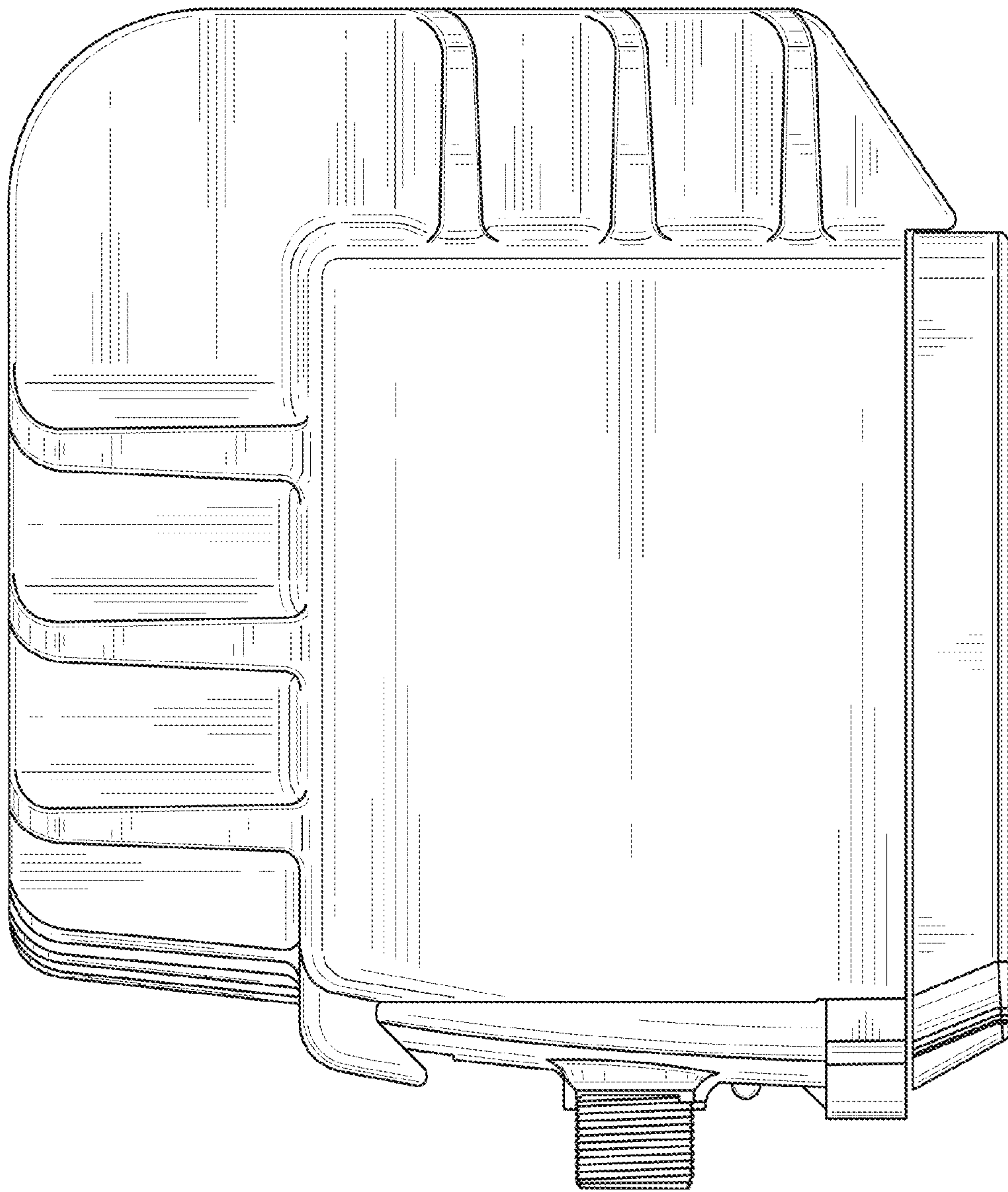


FIG. 4

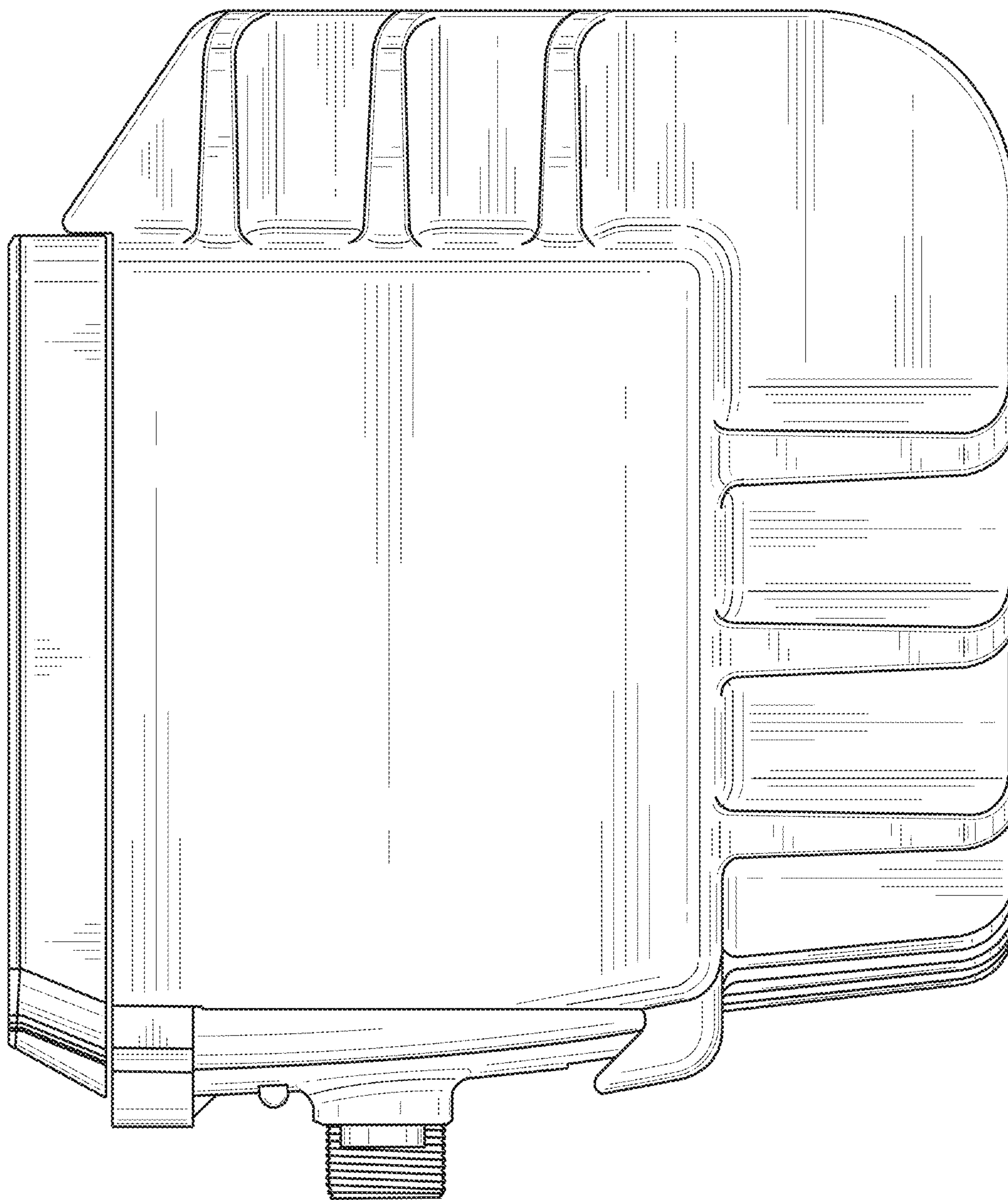


FIG. 5

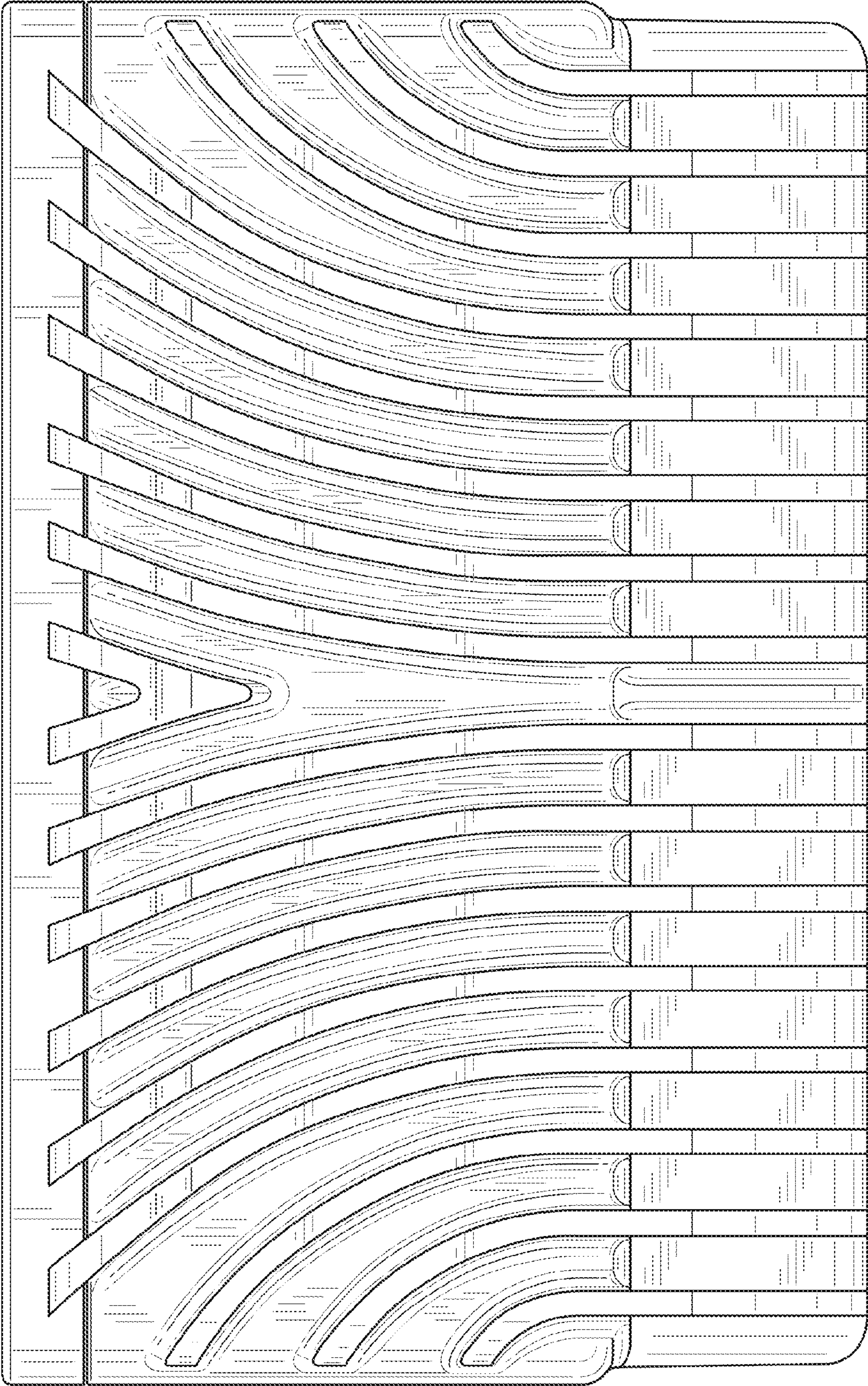


FIG. 6

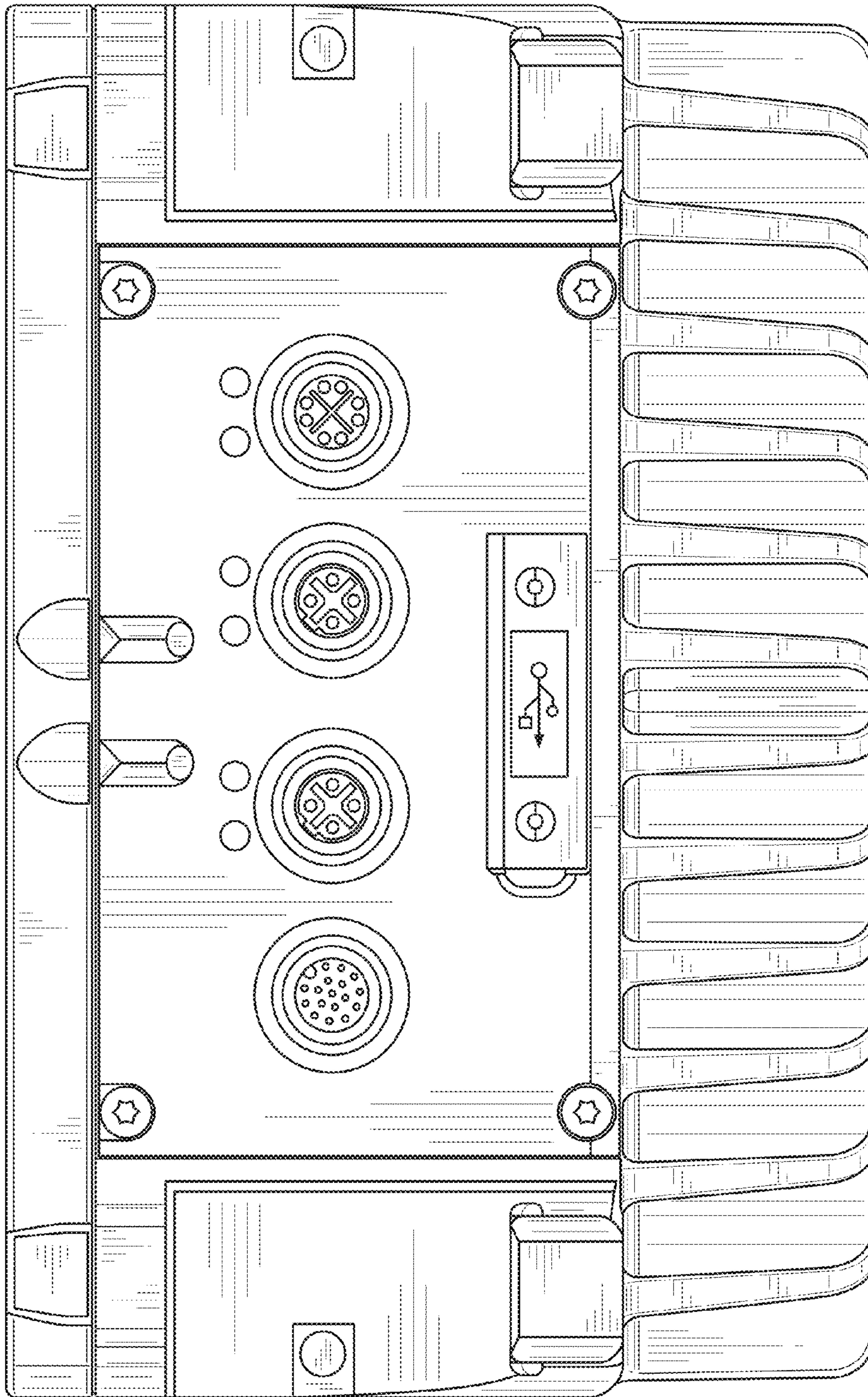


FIG. 7

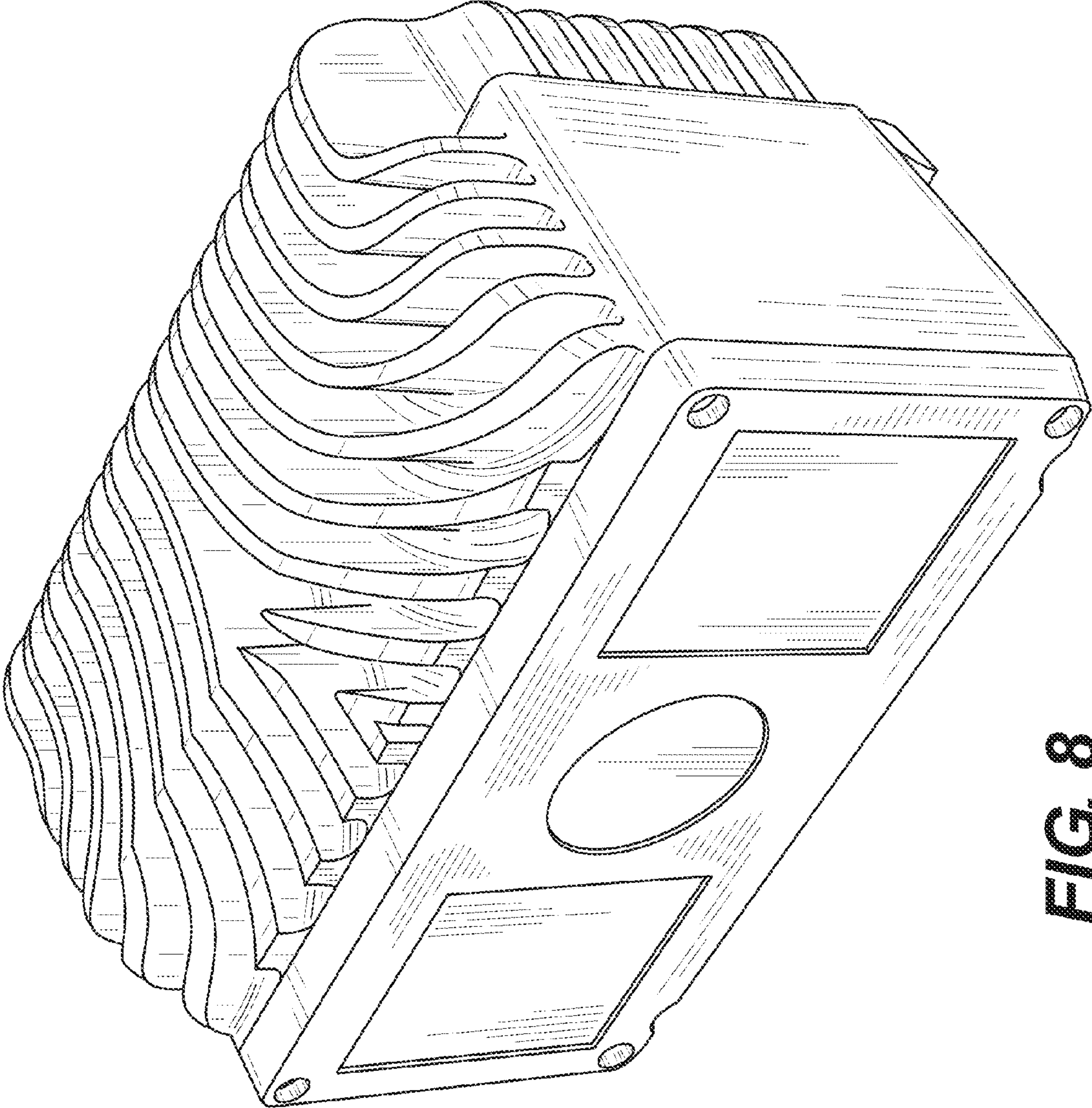


FIG. 8

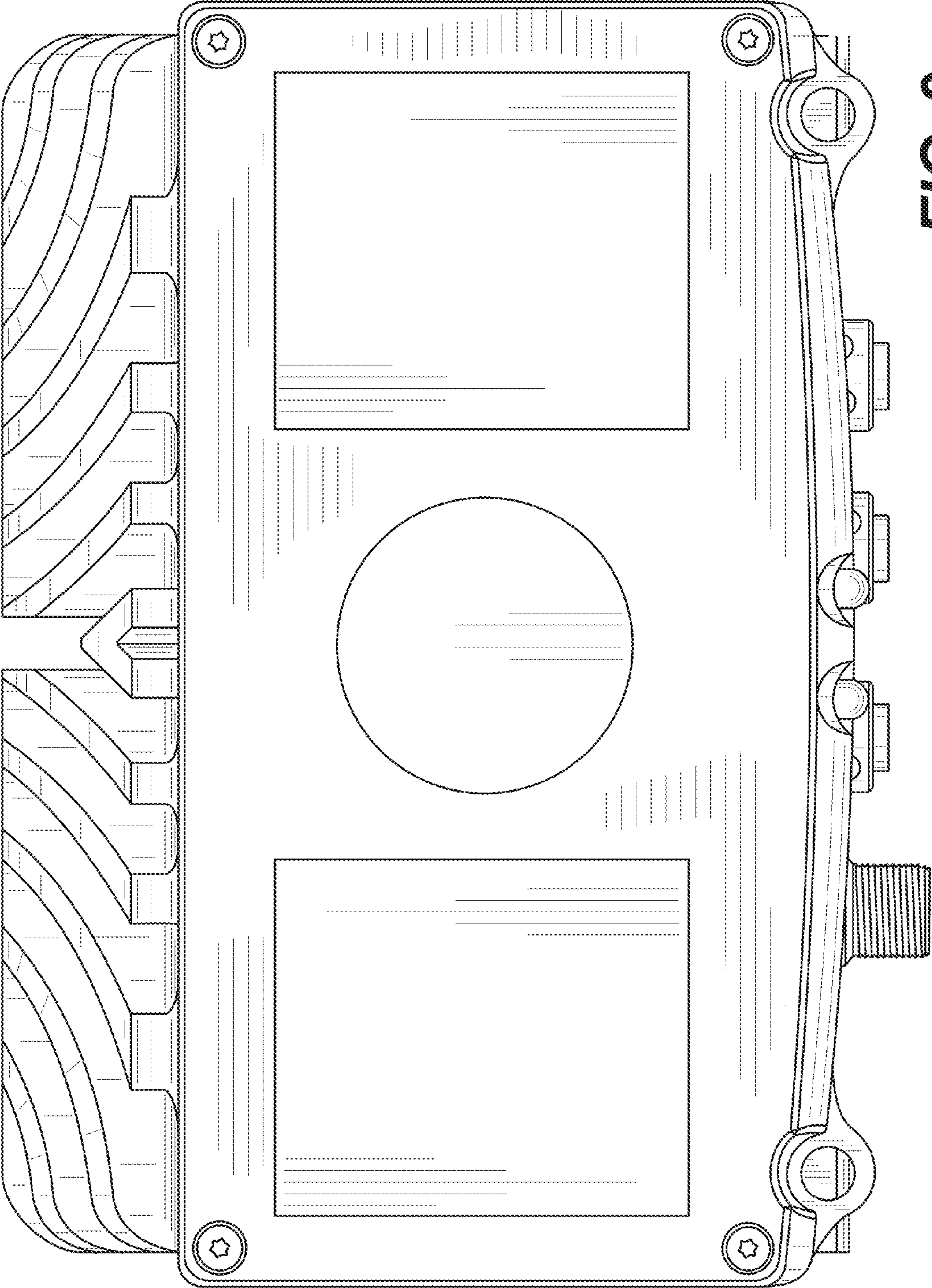


FIG. 9

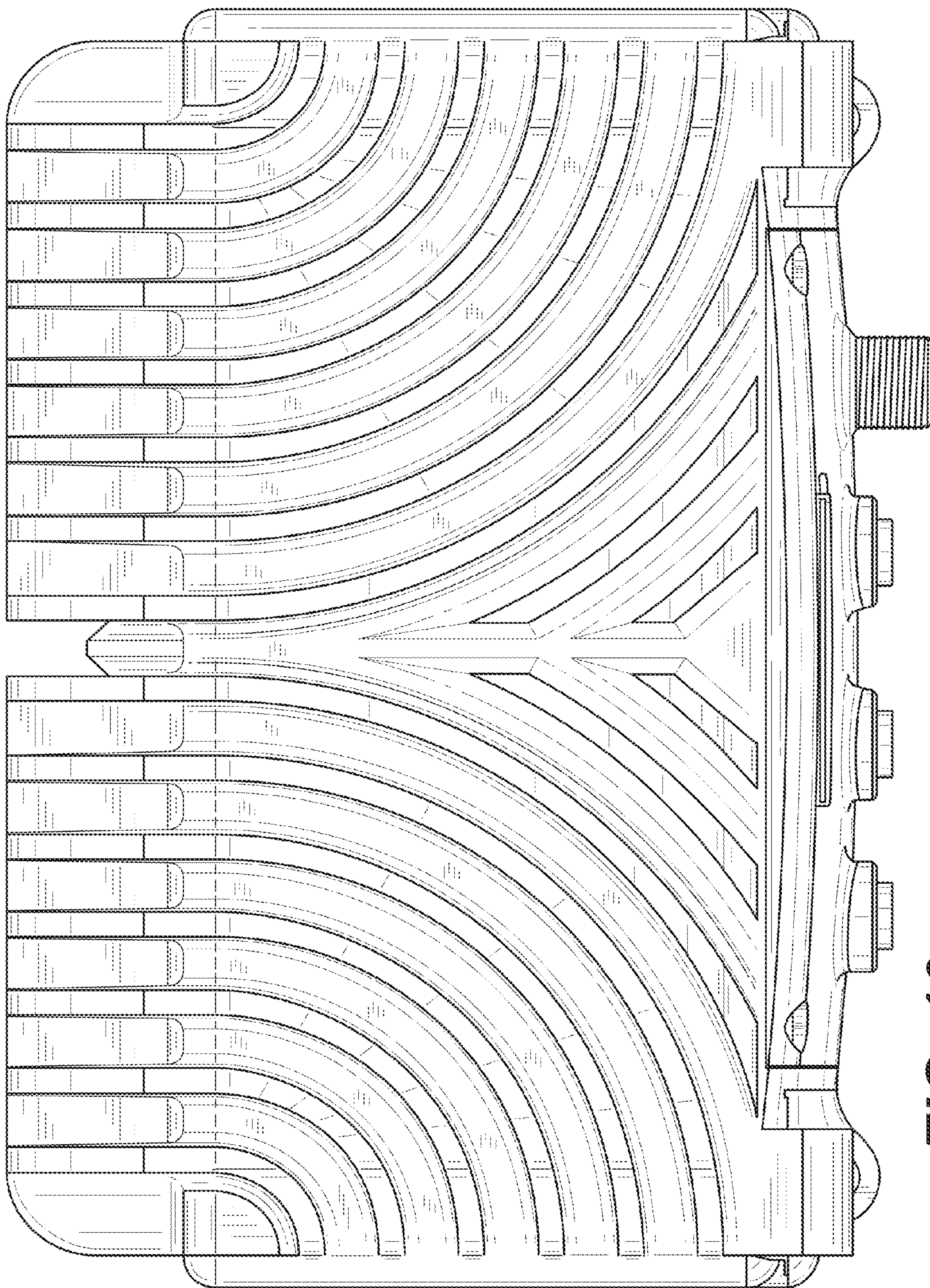


FIG. 10

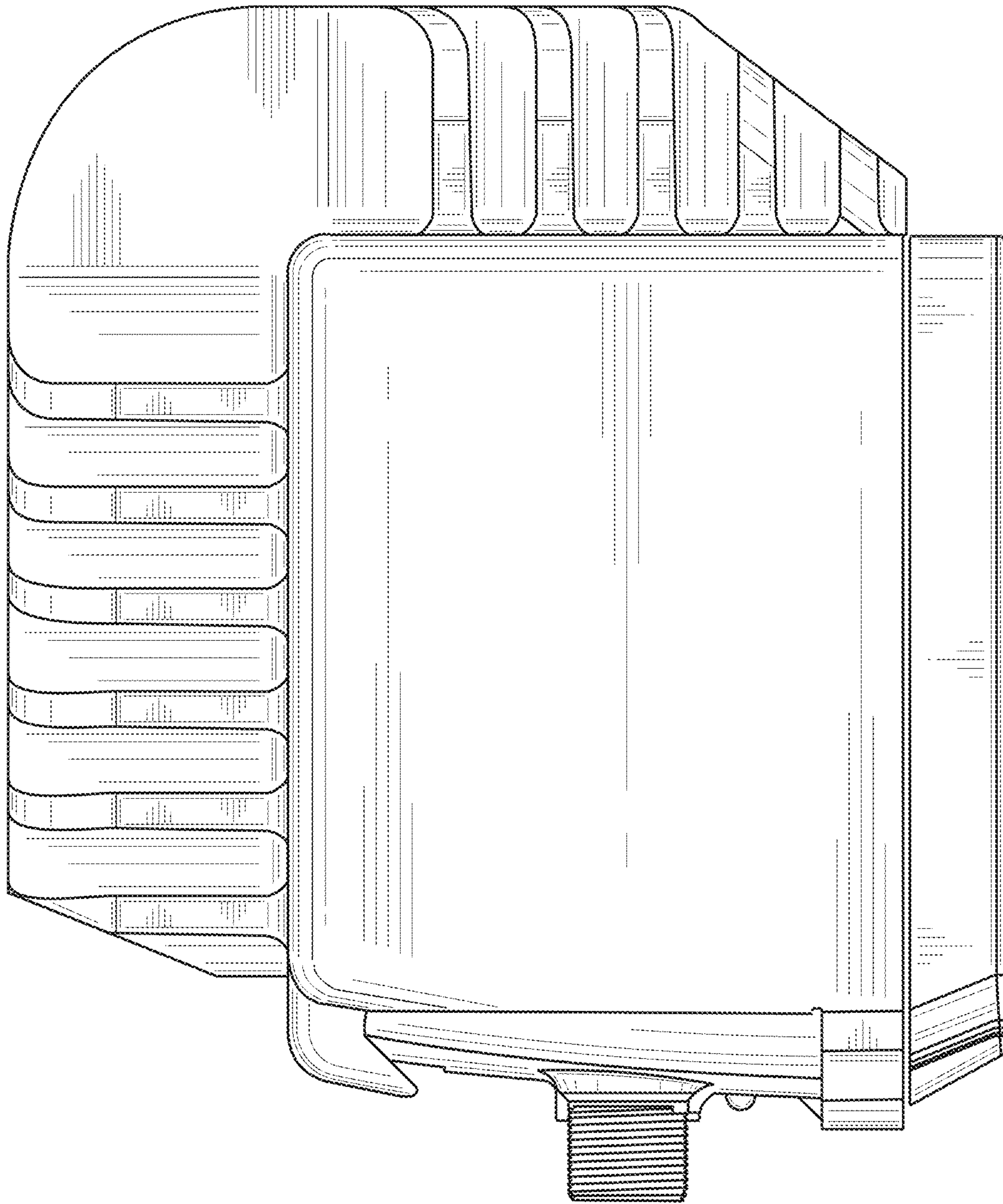


FIG. 11

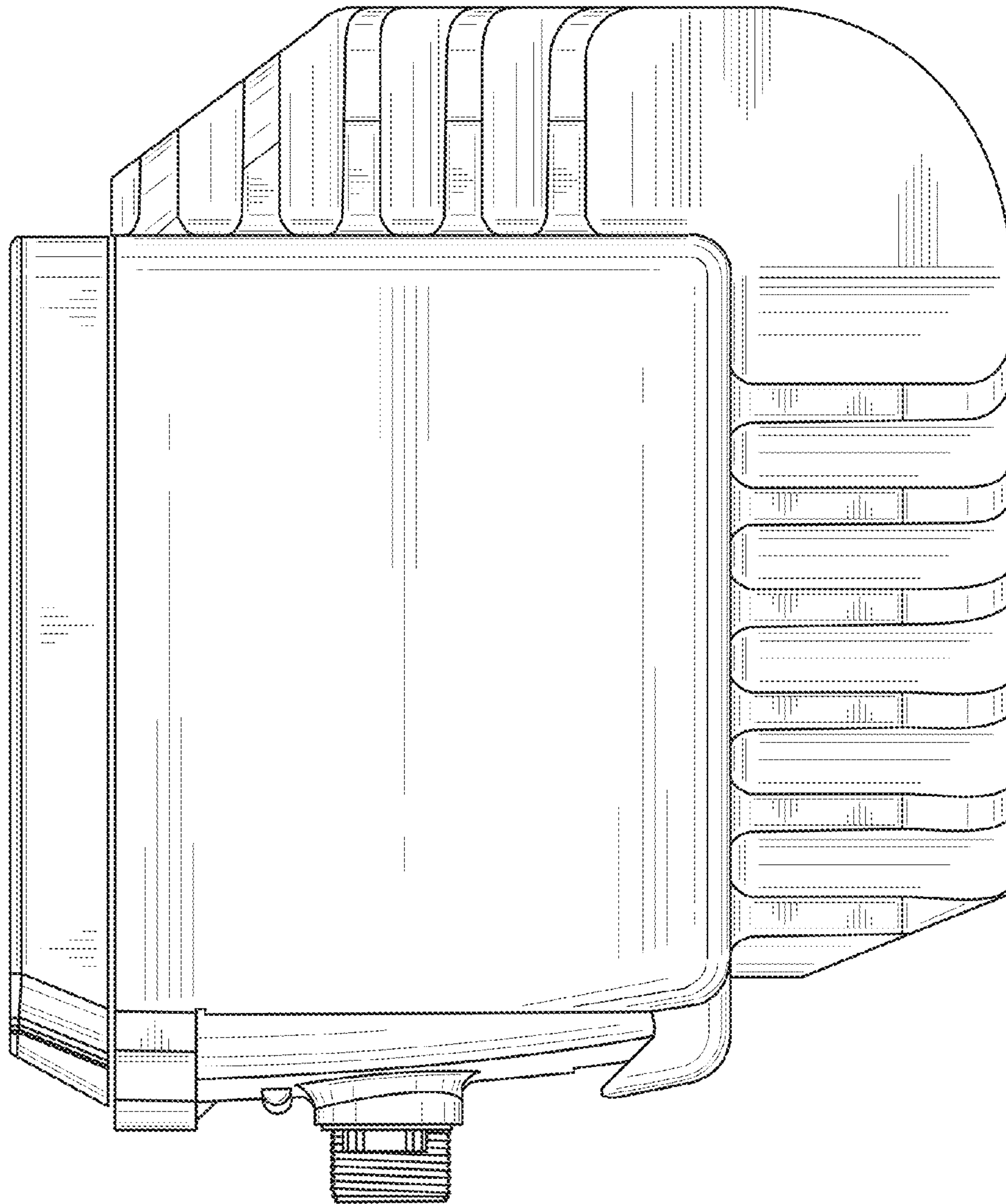


FIG. 12

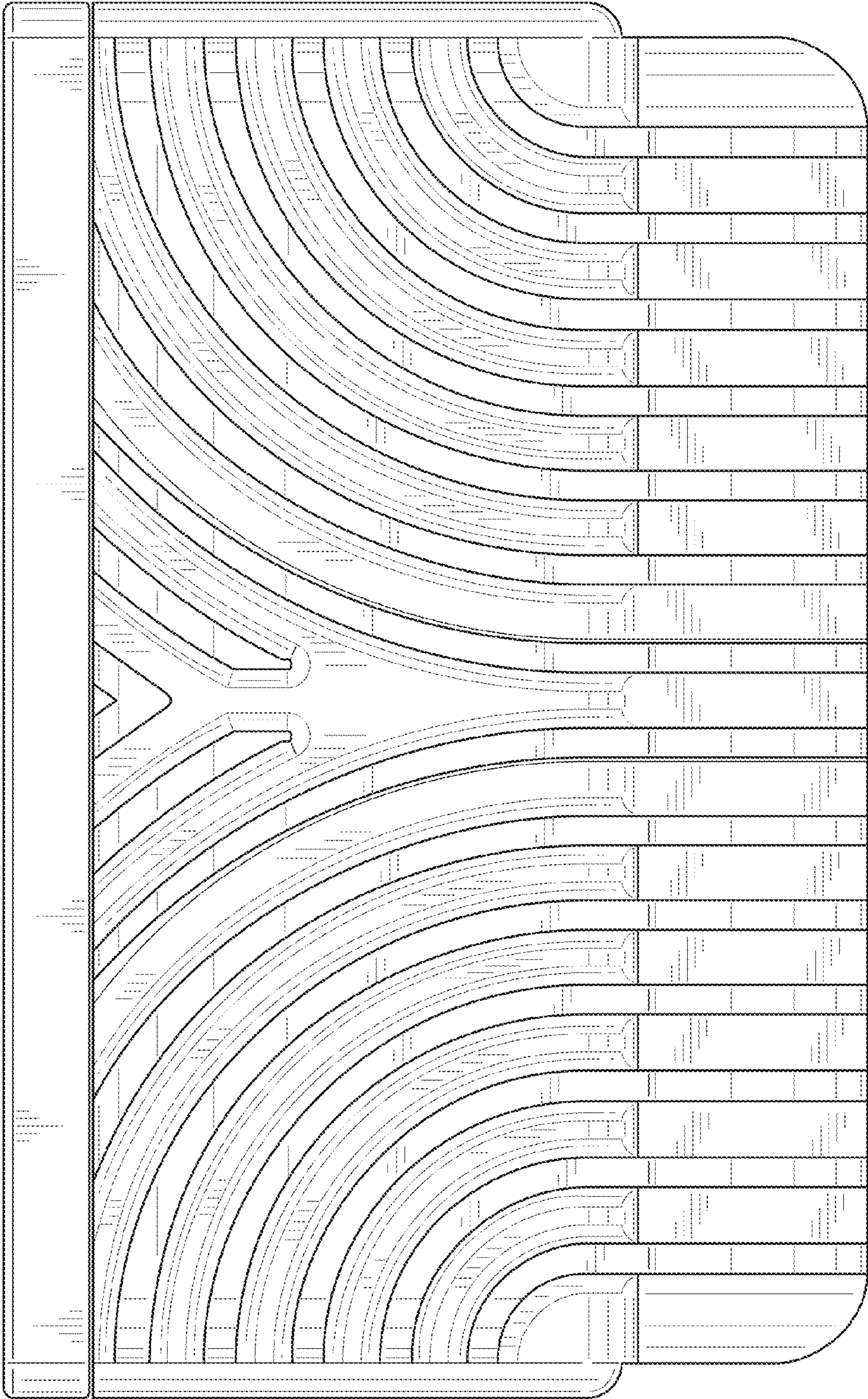


FIG. 13

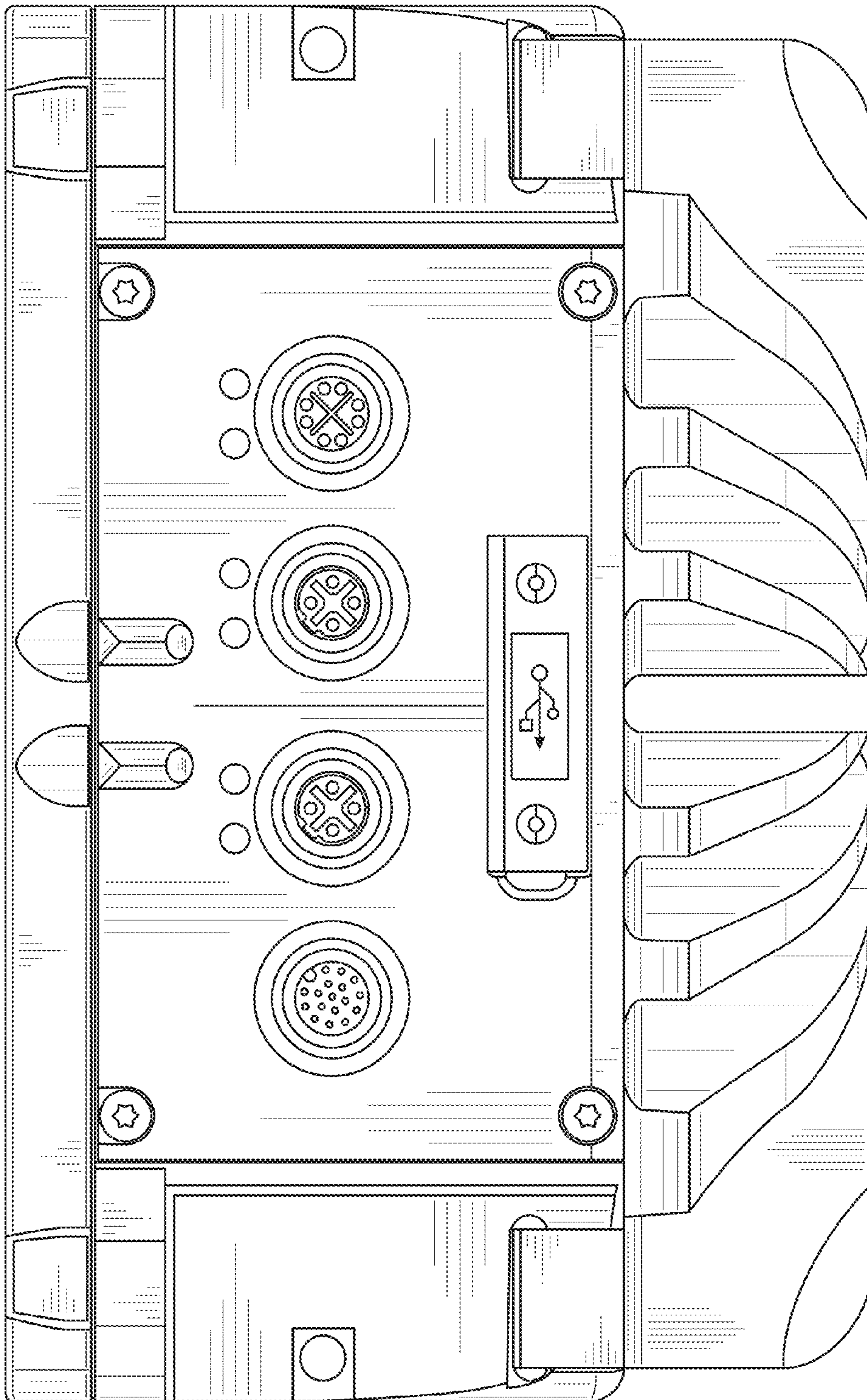


FIG. 14

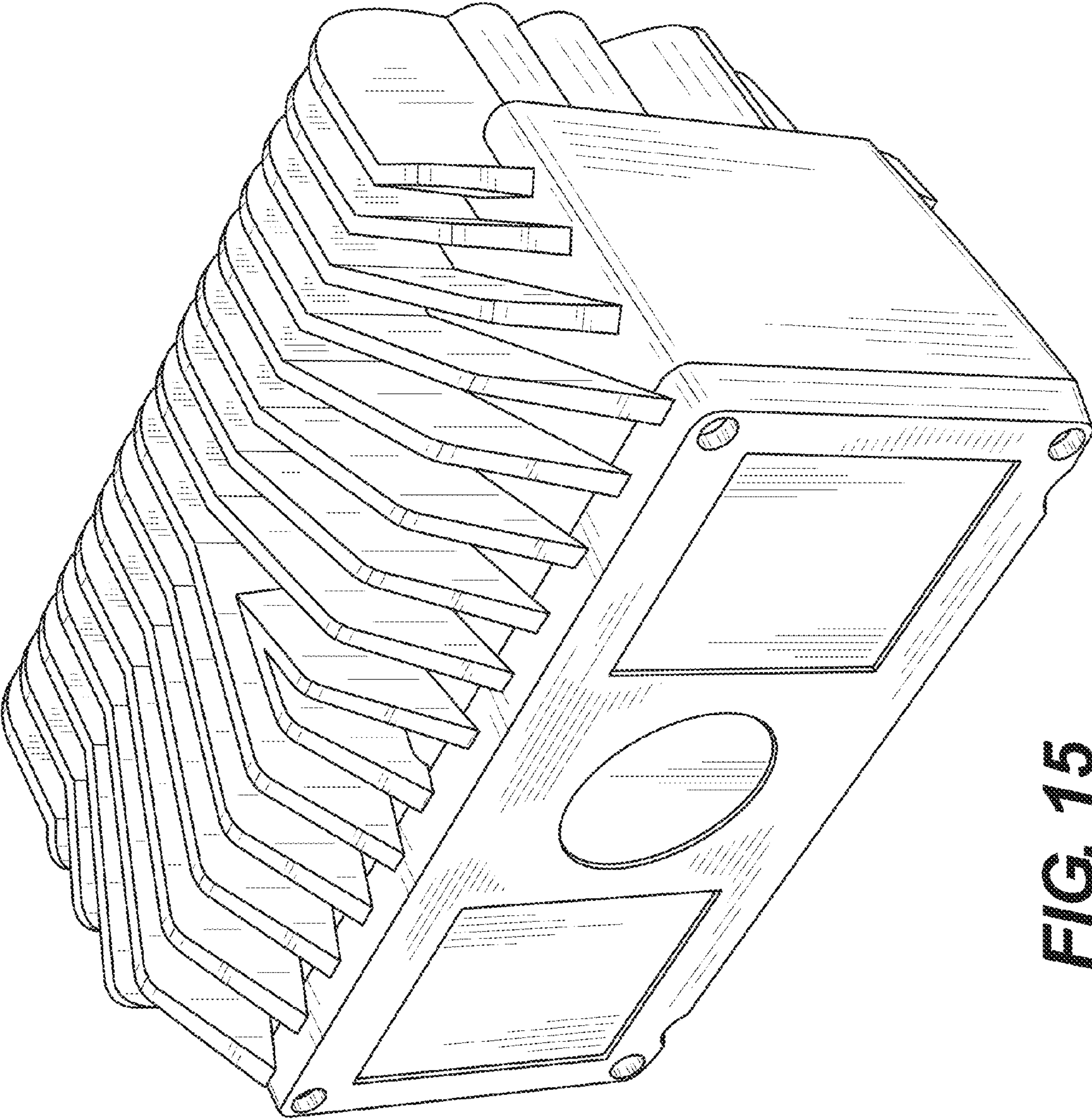


FIG. 15

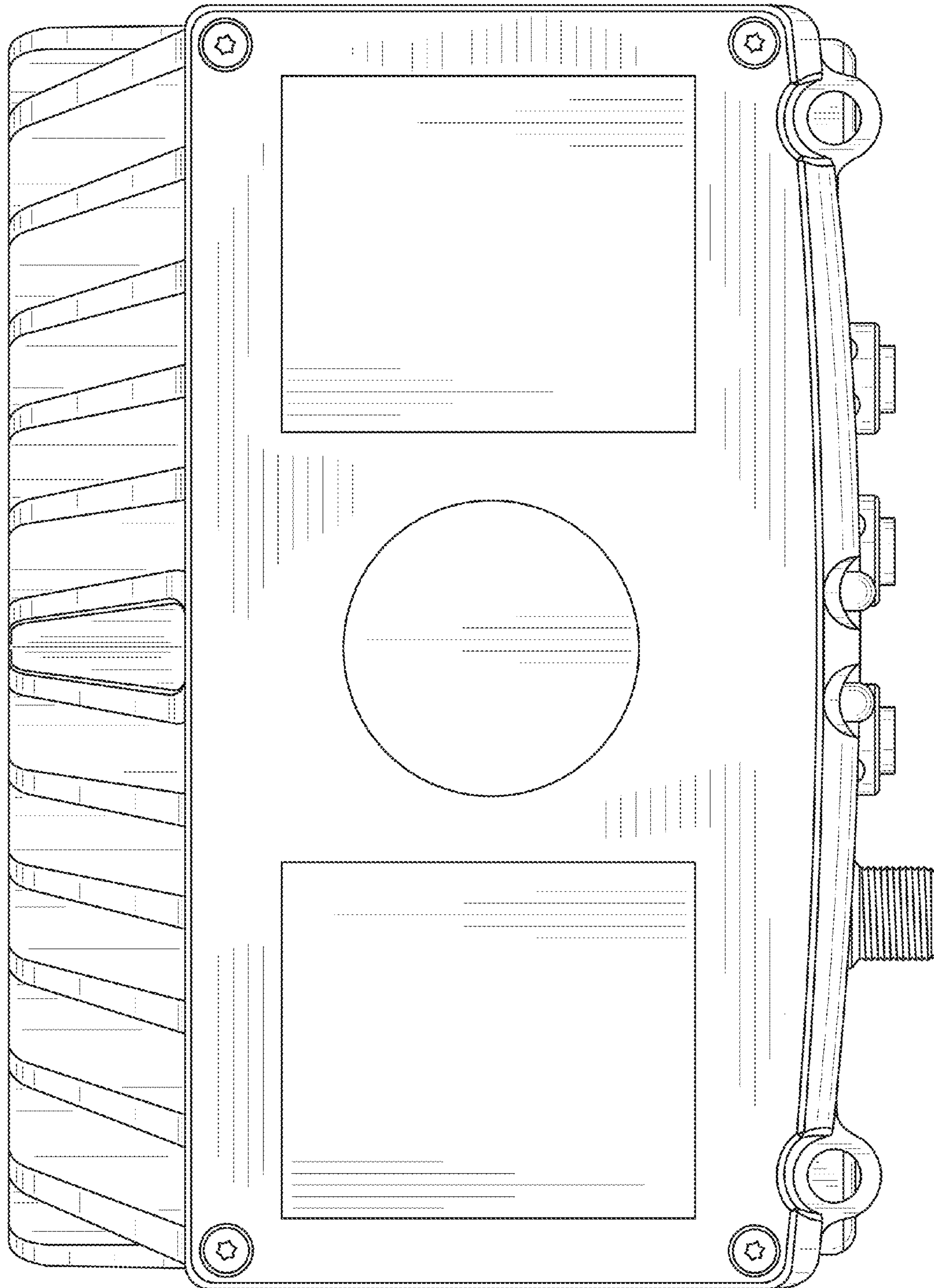


FIG. 16

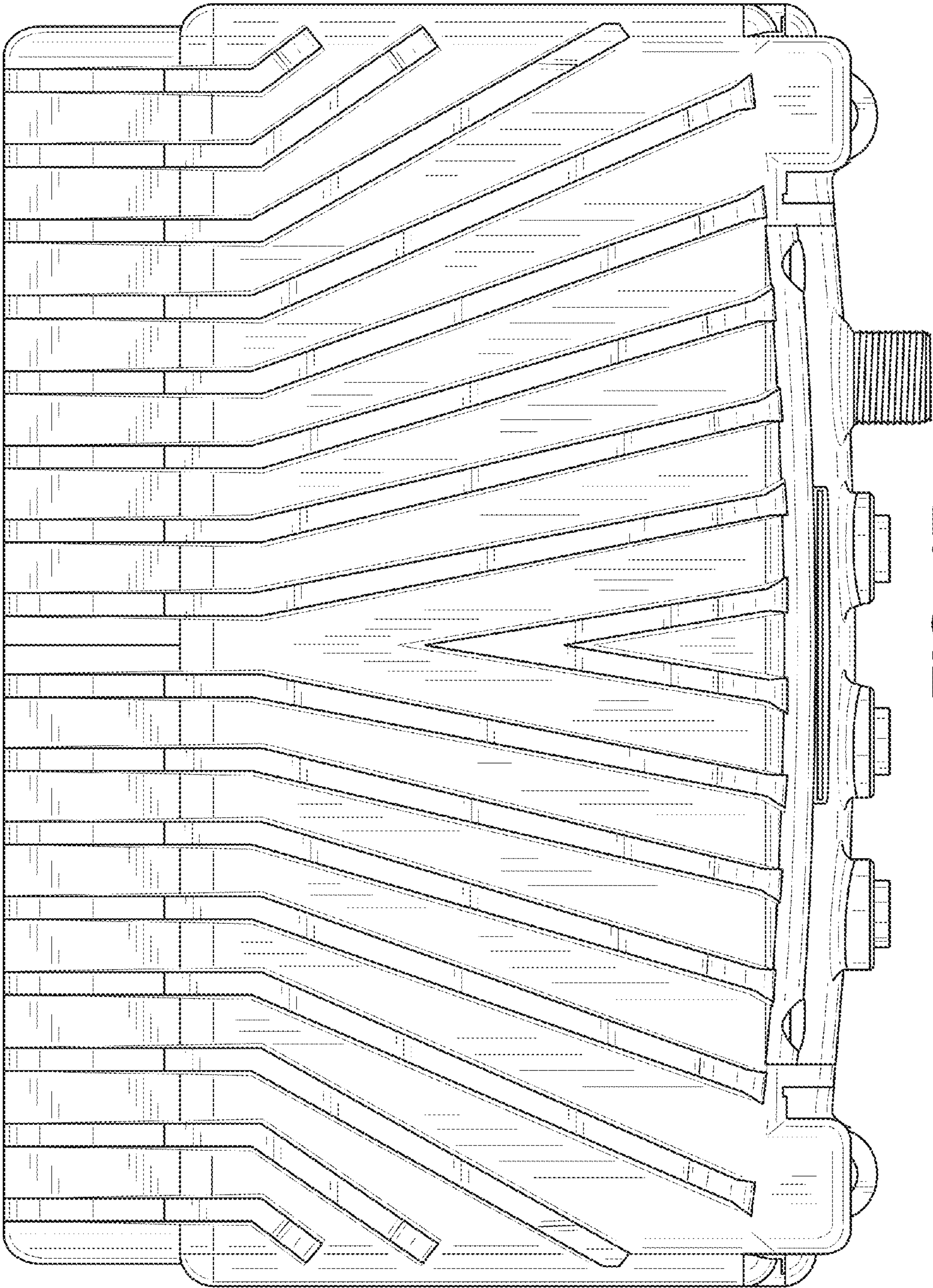


FIG. 17

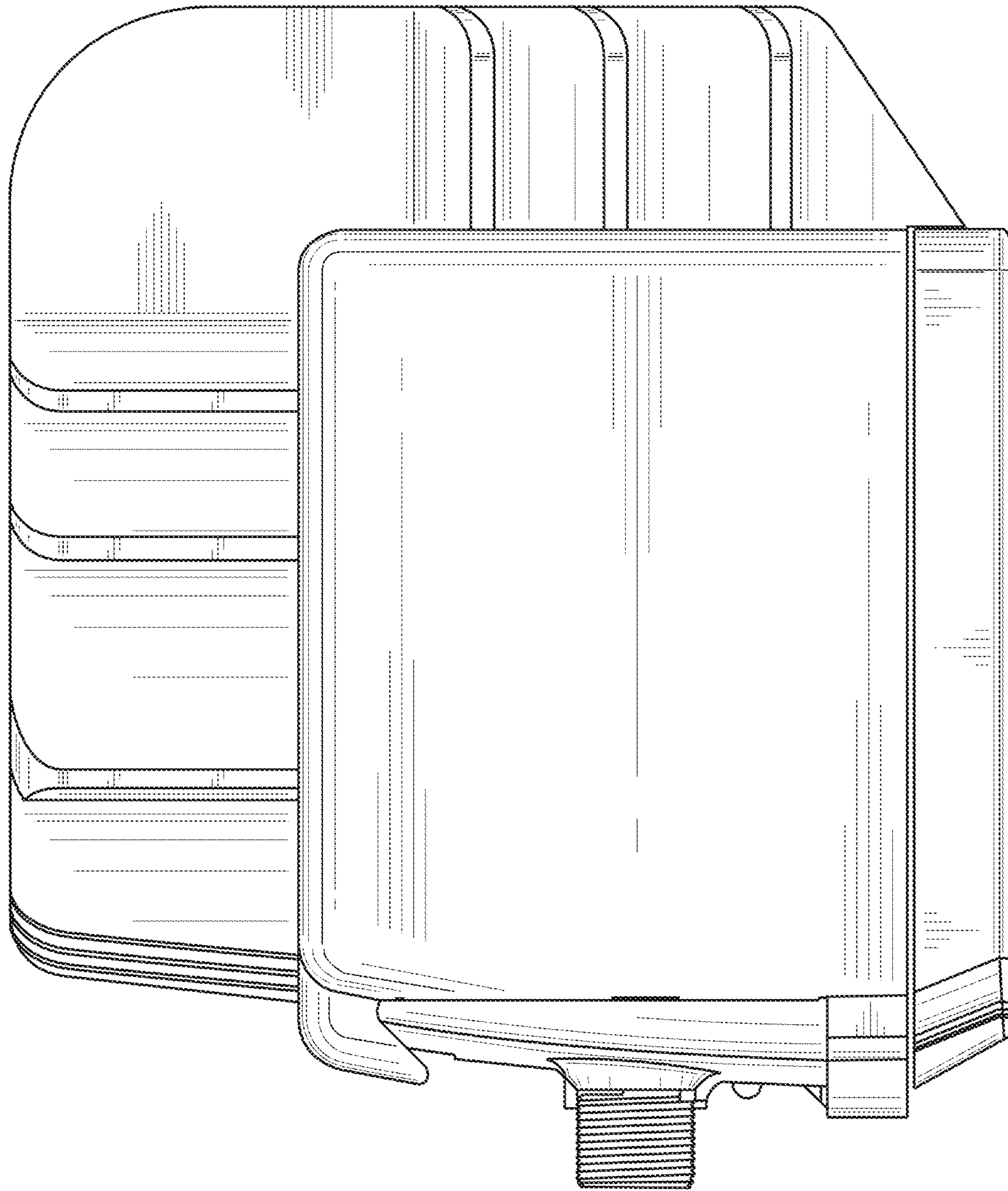


FIG. 18

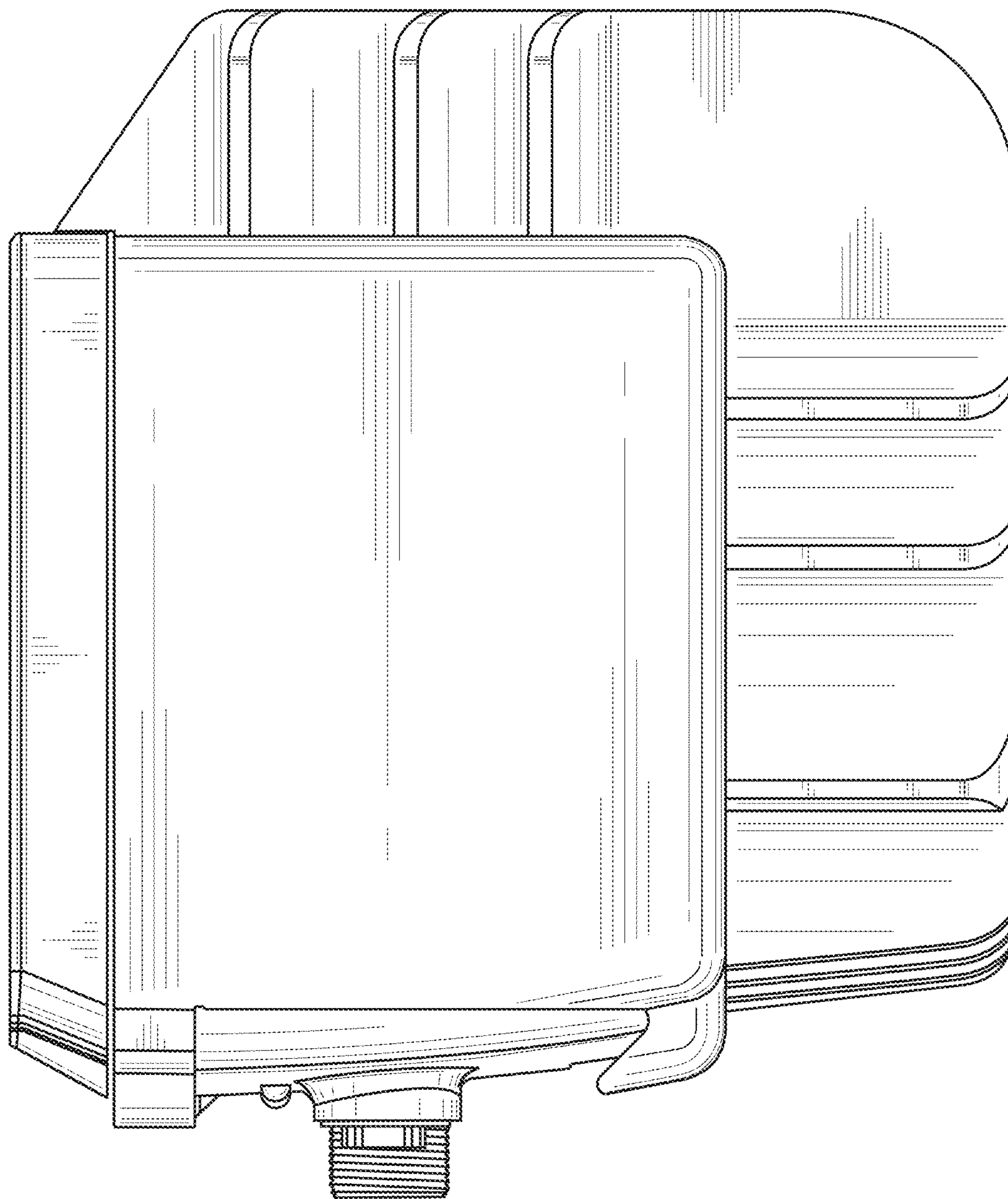


FIG. 19

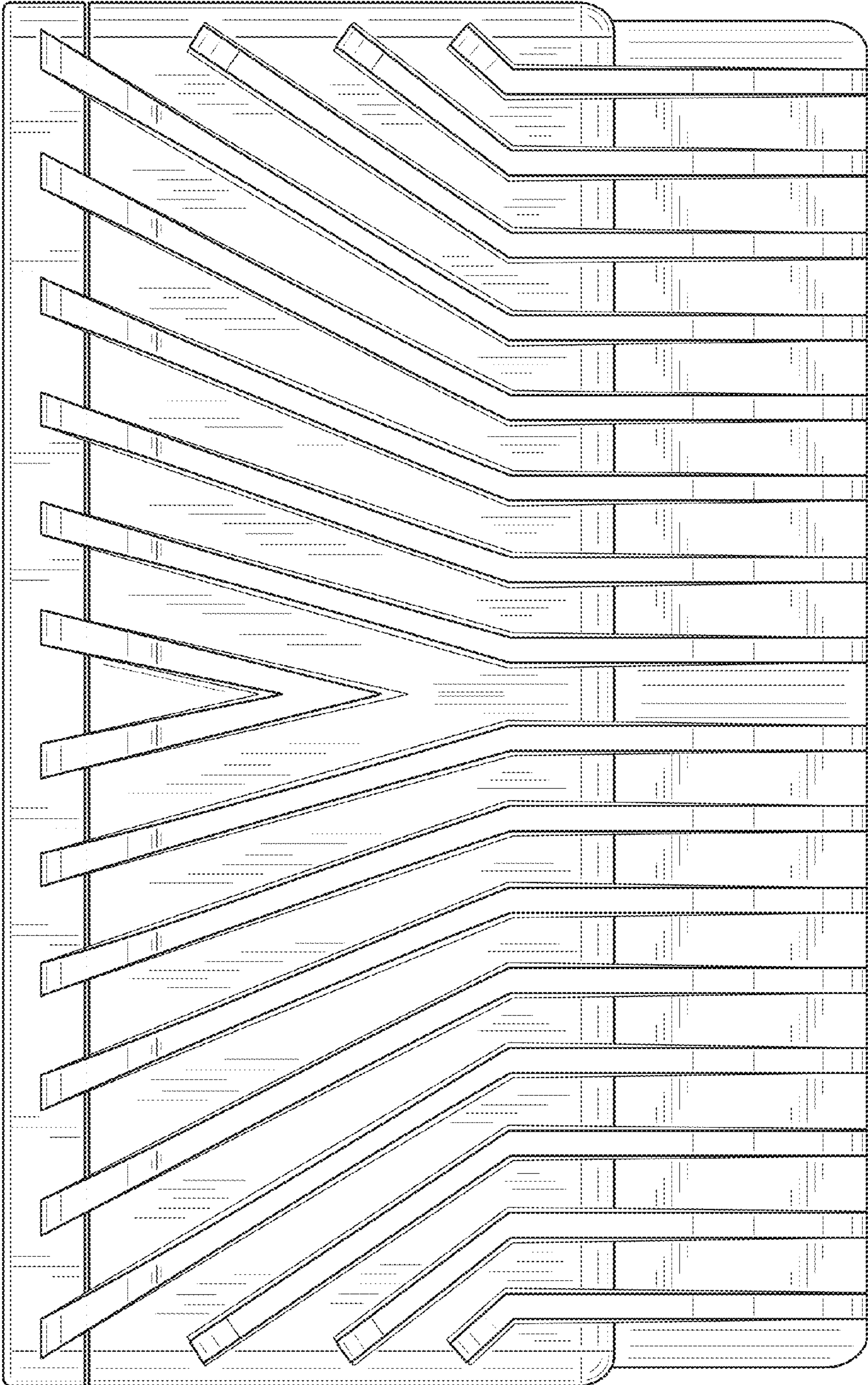


FIG. 20

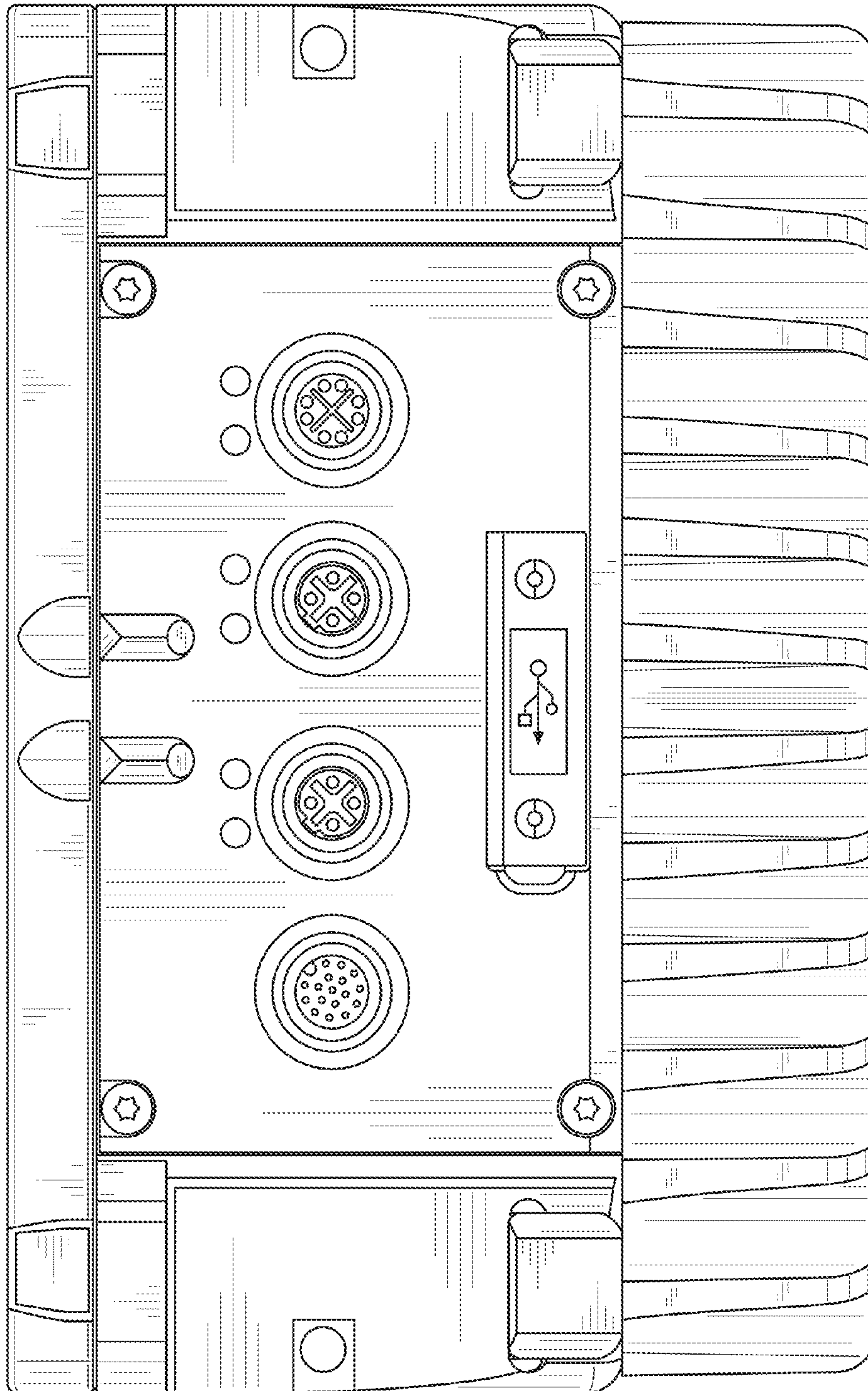


FIG. 21