



US00D736656S

(12) **United States Design Patent**
Ruffieux et al.

(10) **Patent No.:** **US D736,656 S**
(45) **Date of Patent:** **** Aug. 18, 2015**

- (54) **WATCH**
- (71) Applicant: **MONTBLANC-SIMPLO GMBH**,
Hamburg (DE)
- (72) Inventors: **Leila Ruffieux**, Neuchatel (CH); **Valerie Antifora**, La Chaux-de-Fonds (CH);
Paulo Carvalho, Courtetelle (CH)
- (73) Assignee: **Montblanc-Simplo GmbH**, Hamburg
(DE)
- (**) Term: **14 Years**
- (21) Appl. No.: **29/496,917**
- (22) Filed: **Jul. 18, 2014**

6,570,823	B1	*	5/2003	Gilomen et al.	368/113
D519,854	S	*	5/2006	Modolo	D10/32
D526,923	S	*	8/2006	Okaya	D10/126
D538,182	S	*	3/2007	Lalo	D10/32
D576,905	S	*	9/2008	Calvani	D10/126
D578,902	S	*	10/2008	Hoshino	D10/38
7,508,738	B2	*	3/2009	Meier et al.	368/64
D590,727	S	*	4/2009	Wei	D10/38
D616,782	S	*	6/2010	Chastaingt	D10/126
D620,826	S	*	8/2010	Duport et al.	D10/126
D624,443	S	*	9/2010	Cerrato	D10/38
D664,879	S	*	8/2012	Behling	D10/126
D665,291	S	*	8/2012	Behling	D10/126
8,366,313	B2	*	2/2013	Scioscia	368/286
D684,486	S	*	6/2013	Messmer et al.	D10/39
D690,611	S	*	10/2013	Inoue	D10/39
D701,134	S	*	3/2014	Cerrato	D10/126
D701,465	S	*	3/2014	Ganz	D10/38
D706,650	S	*	6/2014	Emch	D10/39

* cited by examiner

(30) **Foreign Application Priority Data**

Jan. 20, 2014 (WO) DM/082 659

(51) **LOC (10) Cl.** **10-02**

(52) **U.S. Cl.**
USPC **D10/39; D10/126**

(58) **Field of Classification Search**
USPC D10/30-39; 368/276, 281, 282, 223,
368/228, 232
CPC G04B 37/00; G04B 37/0008; G04B
37/0058; G04B 45/00; G04B 45/0069; G04B
19/06; G04B 19/08; G04B 19/10; G04B
19/106; G04B 19/087
See application file for complete search history.

(56) **References Cited**

U.S. PATENT DOCUMENTS

D131,628	S	*	3/1942	Heinmuller	D10/124
3,740,944	A	*	6/1973	Chopard	368/281
D251,055	S	*	2/1979	Sulek	D10/38
D410,852	S	*	6/1999	Riley	D10/30

Primary Examiner — Martie K Holtje

(74) *Attorney, Agent, or Firm* — Taft Stettinius & Hollister
LLP

(57) **CLAIM**

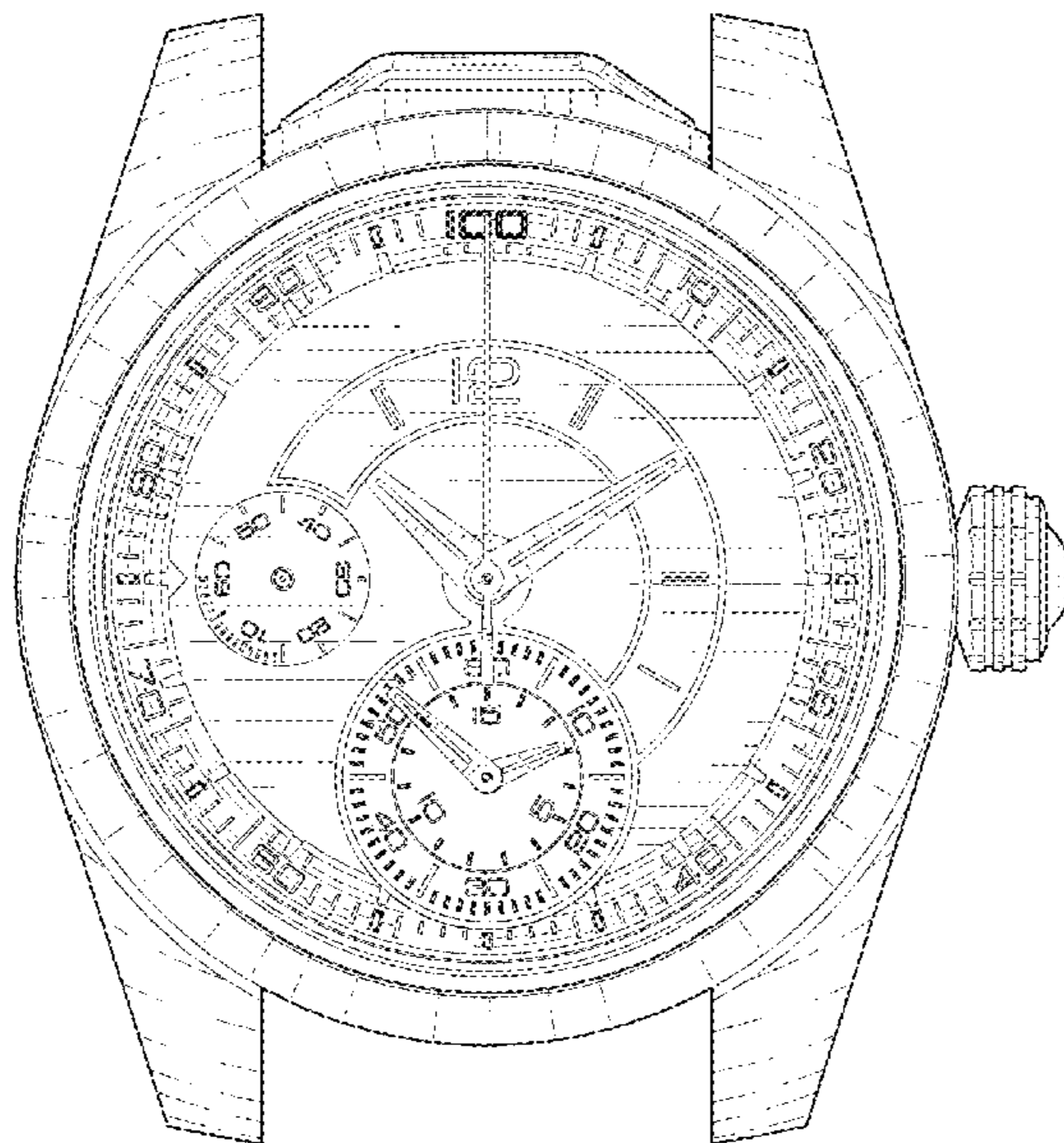
The ornamental design for a watch, as shown and described.

DESCRIPTION

FIG. 1 is a front view of the watch of the present invention.
FIG. 2 is a top view of the watch of FIG. 1.
FIG. 3 is a left-side view of the watch of FIG. 1.
FIG. 4 is a right-side view of the watch of FIG. 1.
FIG. 5 is a rear view of the watch of FIG. 1.
FIG. 6 is a bottom view of the watch of FIG. 1; and,
FIG. 7 is front, right-side perspective view of the watch of
FIG. 1.

The watch crystal that is shown in broken lines in FIGS. 2, 3,
4, and 6 does not form part of the claimed design.

1 Claim, 4 Drawing Sheets



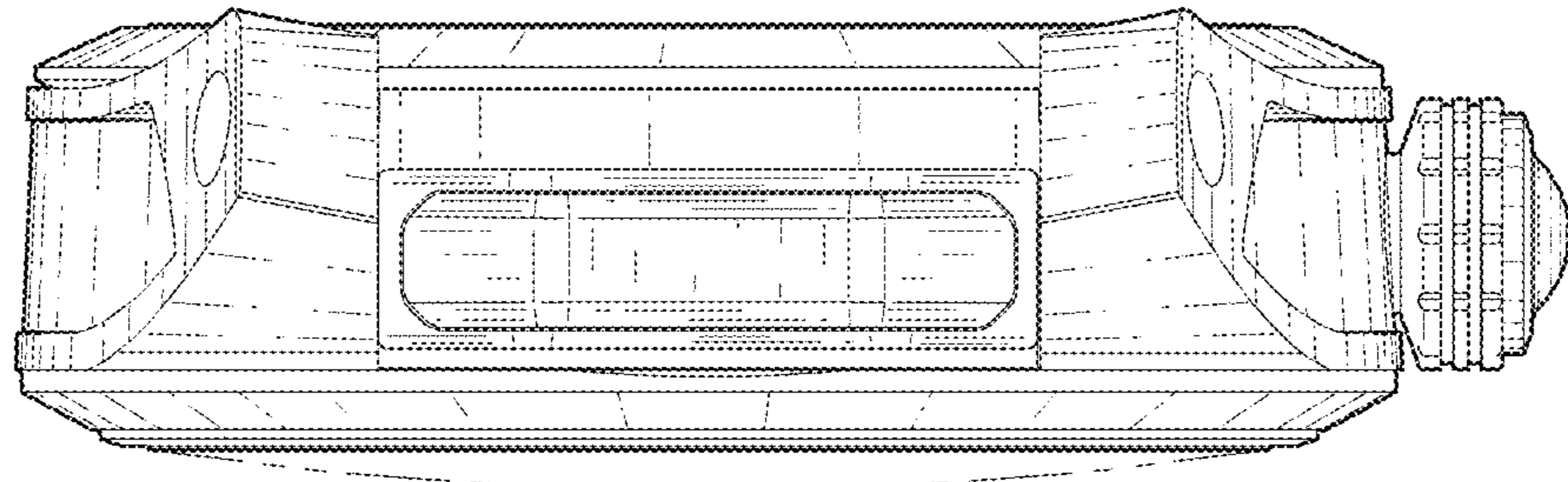


Fig. 2



Fig. 1

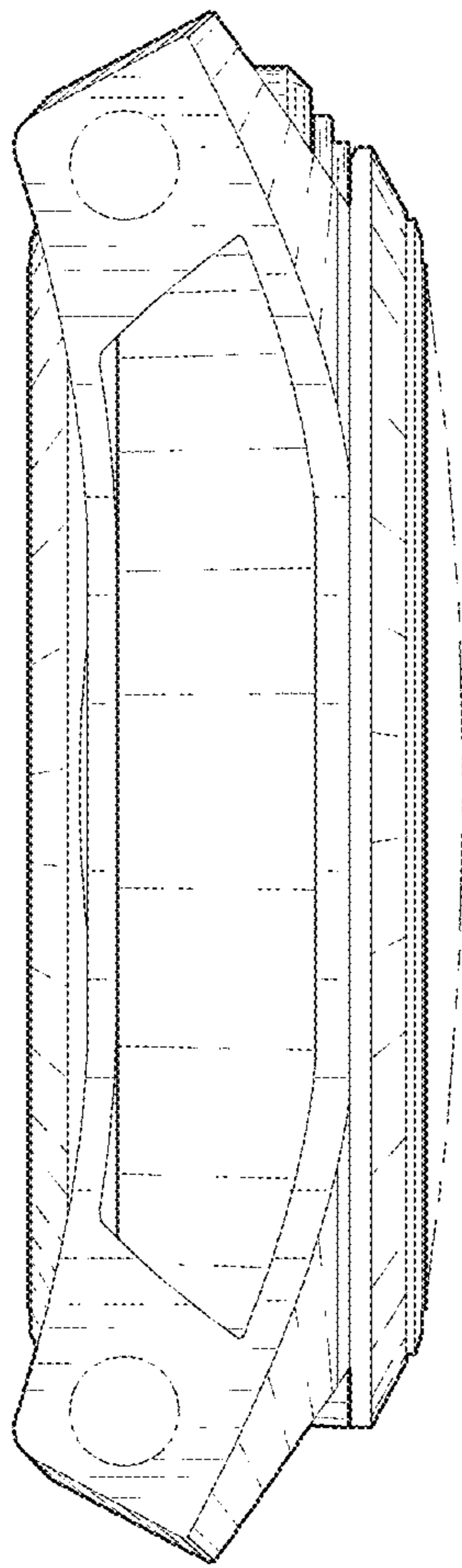


Fig. 4

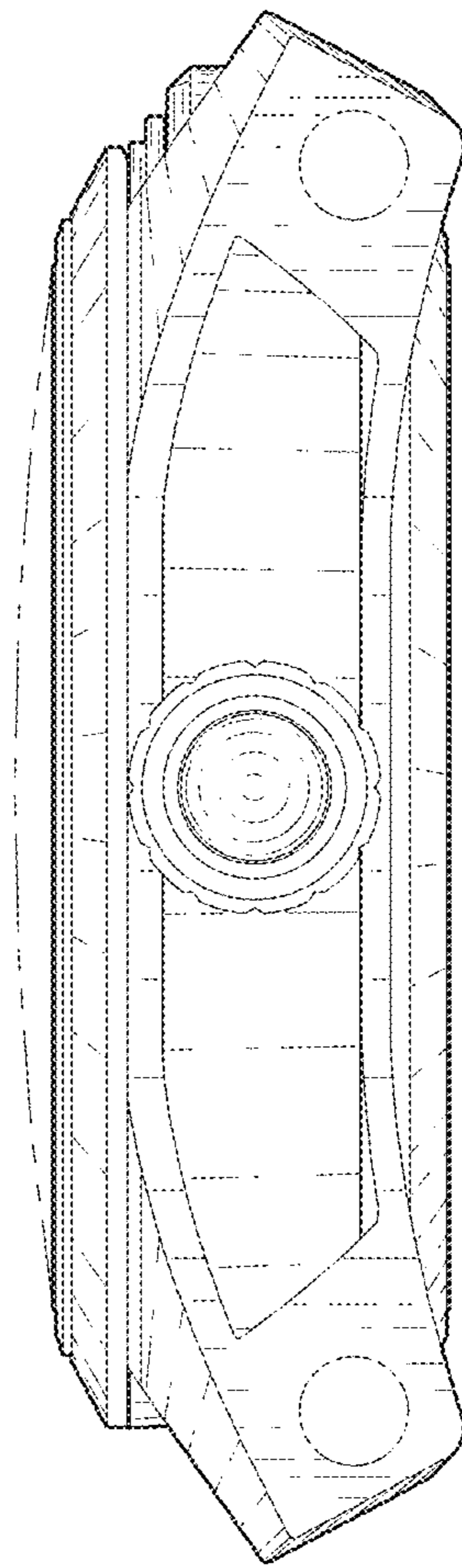


Fig. 3

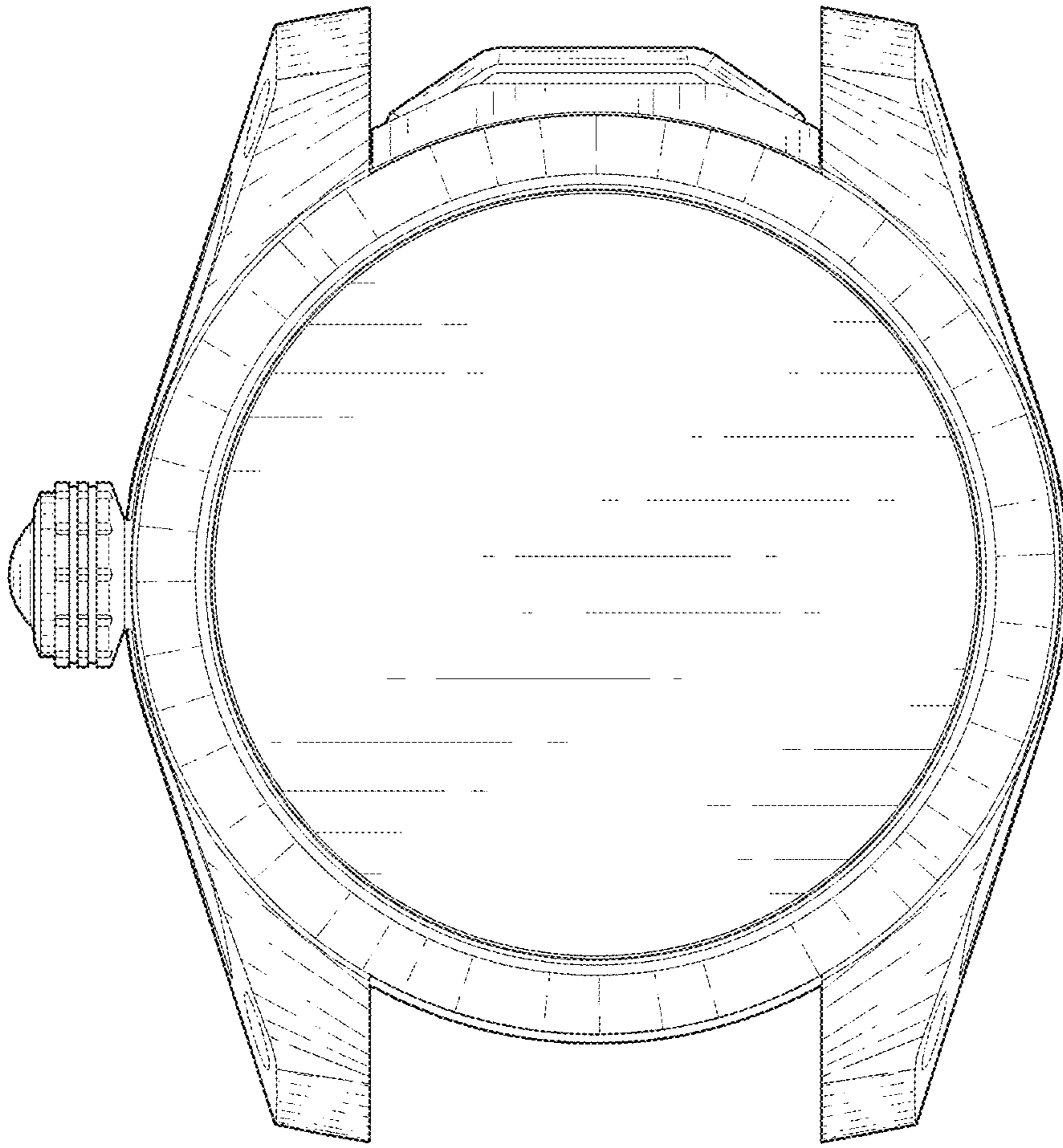


Fig. 5

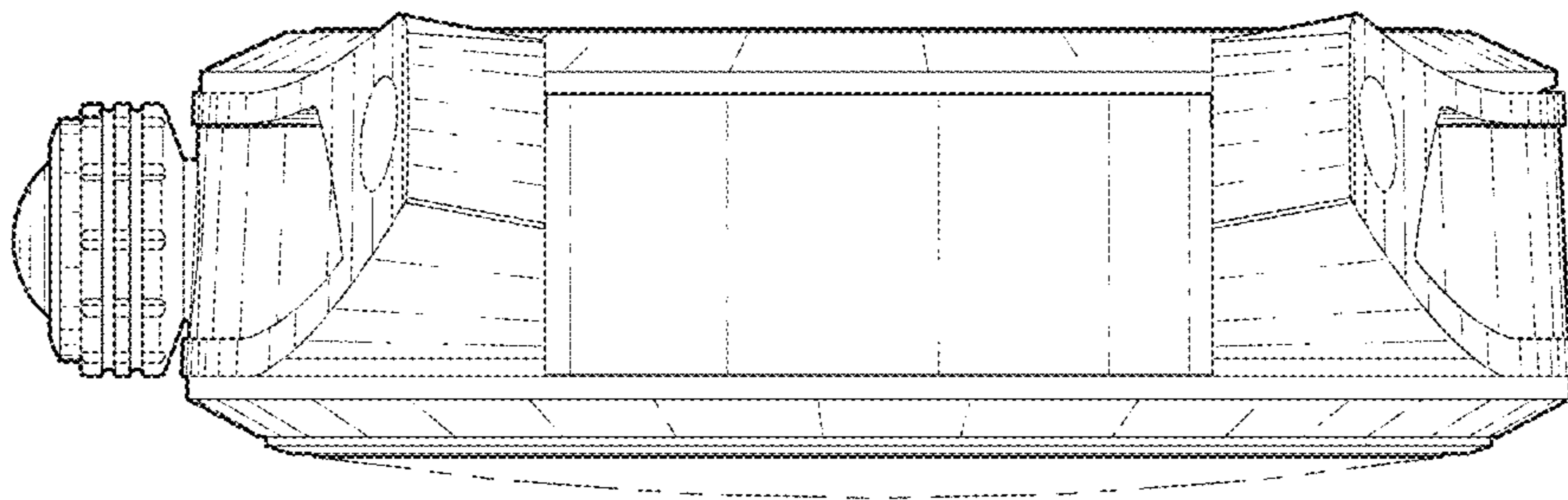


Fig. 6



Fig. 7