



US00D736653S

(12) **United States Design Patent**
Mille

(10) **Patent No.:** **US D736,653 S**

(45) **Date of Patent:** **** Aug. 18, 2015**

(54) **WATCH**

(71) Applicant: **Turlen Holding SA**, Soyhières (CH)

(72) Inventor: **Richard Mille**, Moulins (FR)

(73) Assignee: **TURLEN HOLDING SA**, Soyhières (CH)

(**) Term: **14 Years**

(21) Appl. No.: **29/451,827**

(22) Filed: **Apr. 9, 2013**

(30) **Foreign Application Priority Data**

Oct. 25, 2012 (WO) DM/079 392

(51) **LOC (10) Cl.** **10-02**

(52) **U.S. Cl.**
USPC **D10/39**

(58) **Field of Classification Search**
USPC D10/30-39, 122-132; 368/276, 281,
368/282, 285

CPC G04B 45/02; G04B 37/0008; G04B 29/00;
G04B 29/04; G04B 15/00; G04B 1/16;
G04B 17/285; G04B 17/06

See application file for complete search history.

(56) **References Cited**

U.S. PATENT DOCUMENTS

3,685,282 A * 8/1972 Kock 368/131
4,534,660 A * 8/1985 Laesser 368/220
D432,926 S * 10/2000 Modolo D10/39

D456,274 S * 4/2002 Mille D10/30
6,612,734 B1 * 9/2003 Watanabe et al. 368/175
D616,312 S * 5/2010 Ellia D10/39
7,794,137 B2 * 9/2010 Golay et al. 368/127
D658,514 S * 5/2012 Mille D10/39
D658,516 S * 5/2012 Mille D10/39
D664,047 S * 7/2012 Mille D10/39
8,328,413 B2 * 12/2012 Lechot et al. 368/124
D673,868 S * 1/2013 Mille D10/39
D680,885 S * 4/2013 Mille D10/38
D689,378 S * 9/2013 Mille D10/34
D714,662 S * 10/2014 Mille D10/39
D723,945 S * 3/2015 Le Bot et al. D10/30

* cited by examiner

Primary Examiner — Lucy Lieberman

(74) *Attorney, Agent, or Firm* — Donald J. Ranft; Kristen A. Mogavero; Collen IP

(57) **CLAIM**

The ornamental design for a watch, as shown.

DESCRIPTION

FIG. 1 is a front right perspective view of a watch showing my new design;

FIG. 2 is a front left perspective view thereof;

FIG. 3 is a front view thereof;

FIG. 4 is a rear view thereof;

FIG. 5 is a right side view thereof;

FIG. 6 is a left side view thereof;

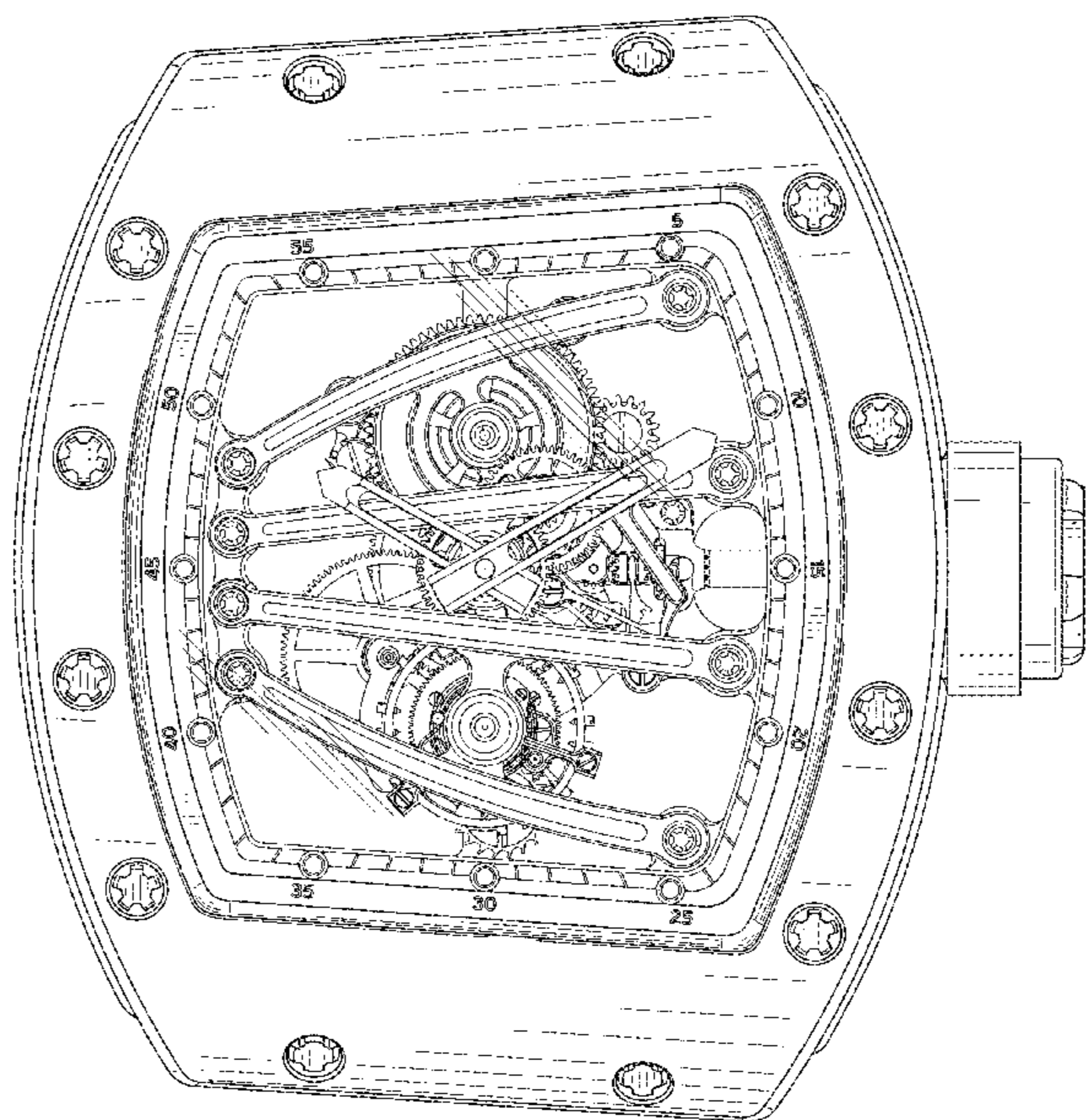
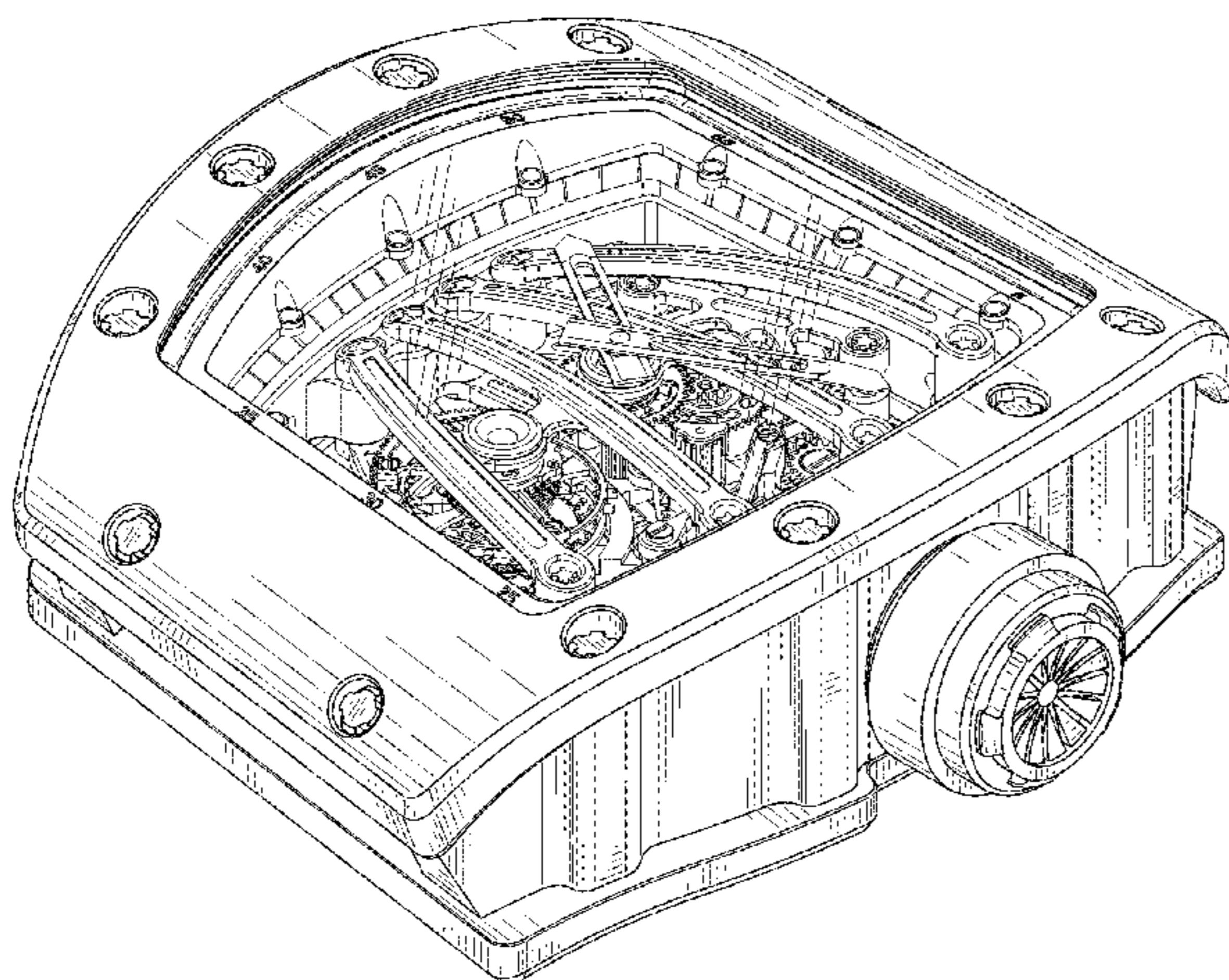
FIG. 7 is a top view thereof;

FIG. 8 is a bottom view thereof;

FIG. 9 is a rear right perspective view thereof; and,

FIG. 10 is a rear left perspective view thereof.

1 Claim, 10 Drawing Sheets



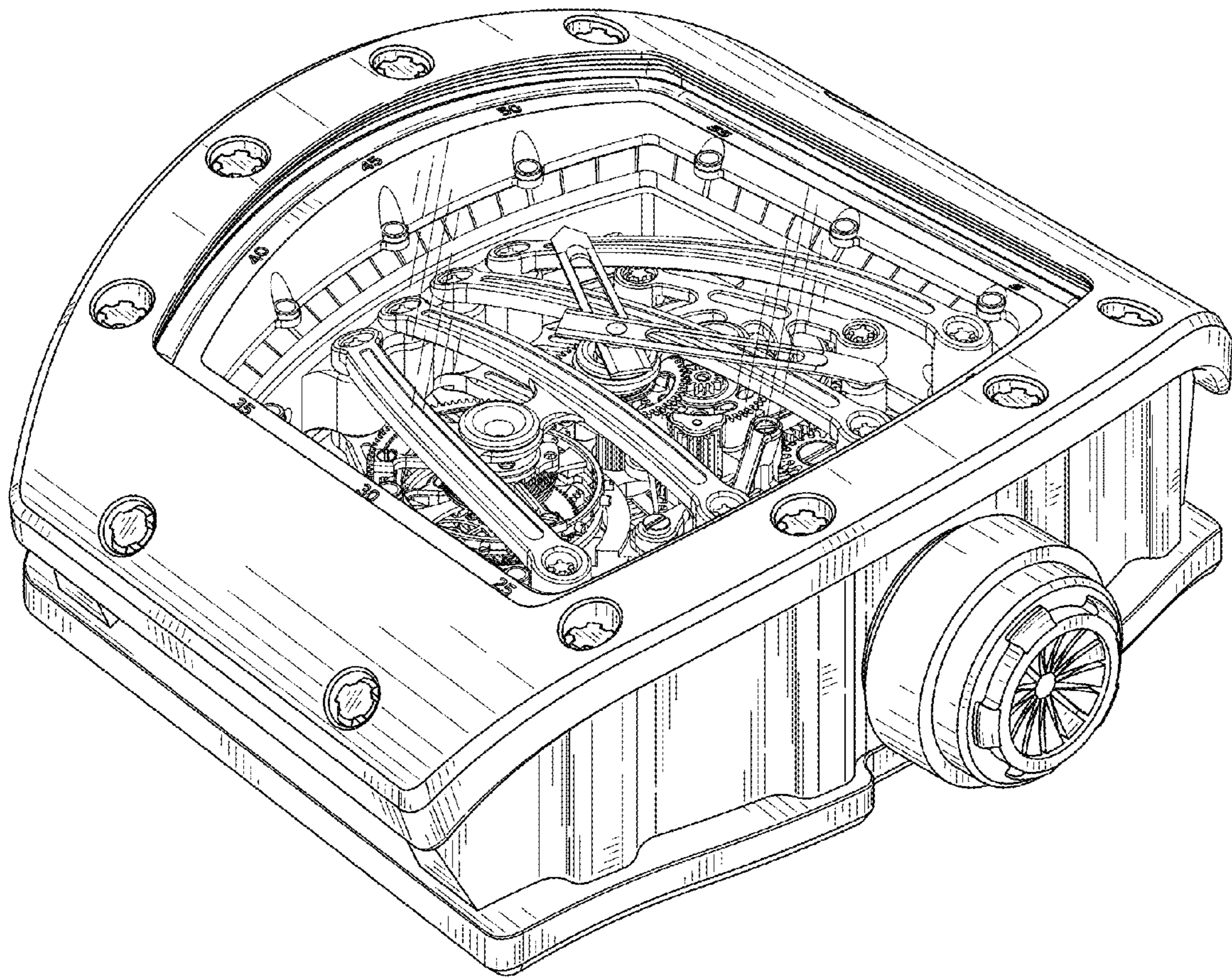


FIG. 1

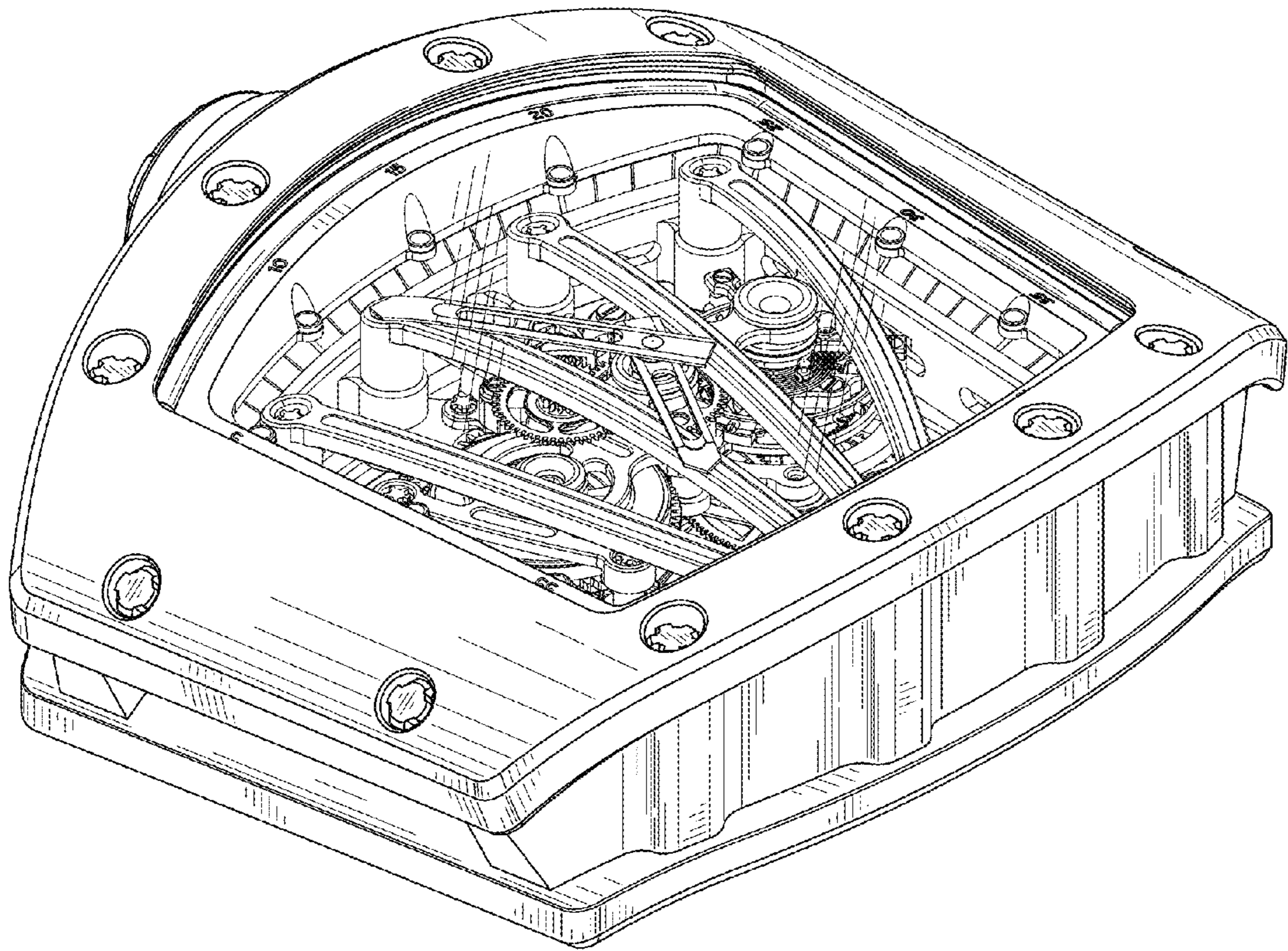


FIG. 2



FIG. 3

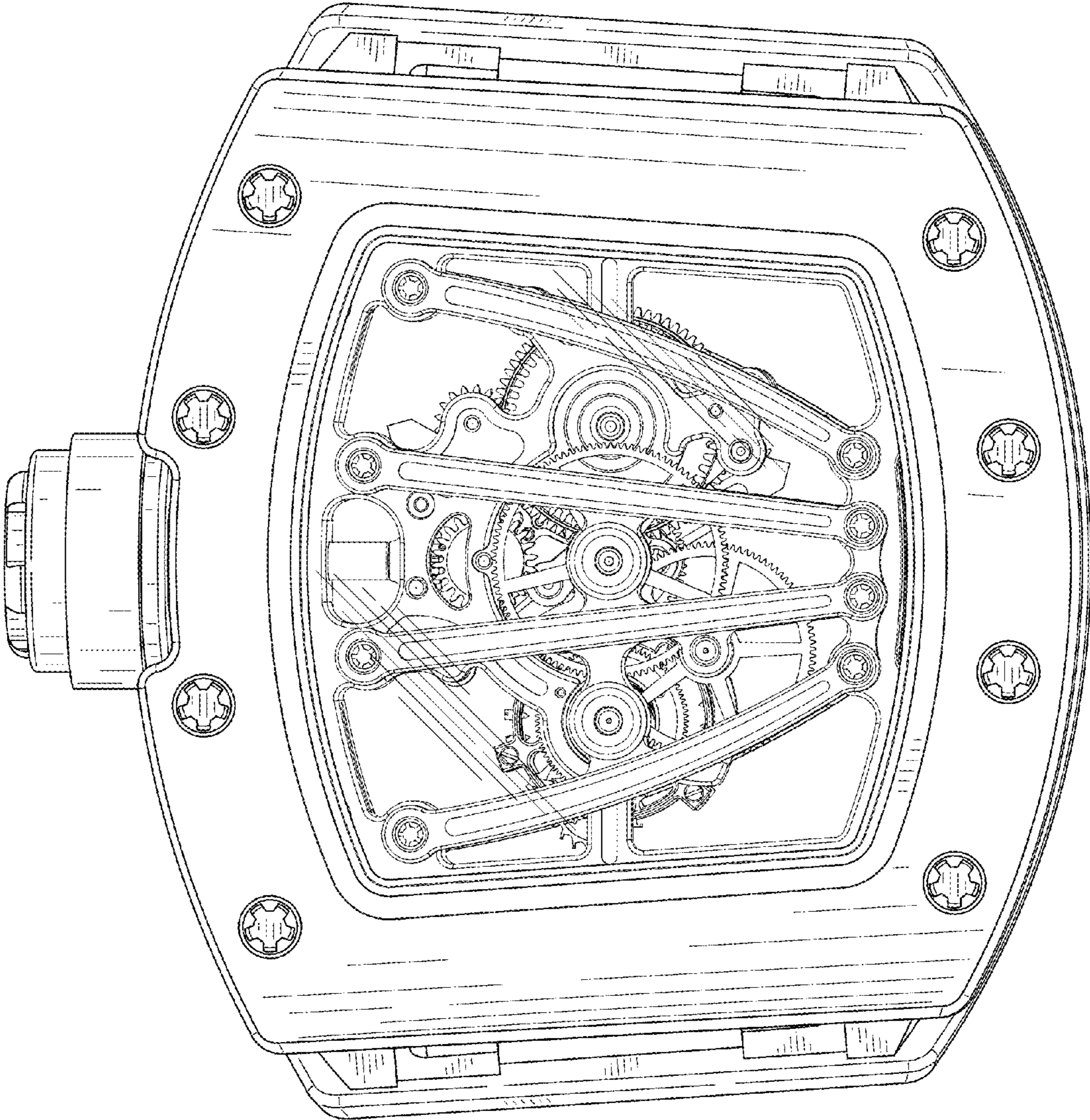


FIG. 4

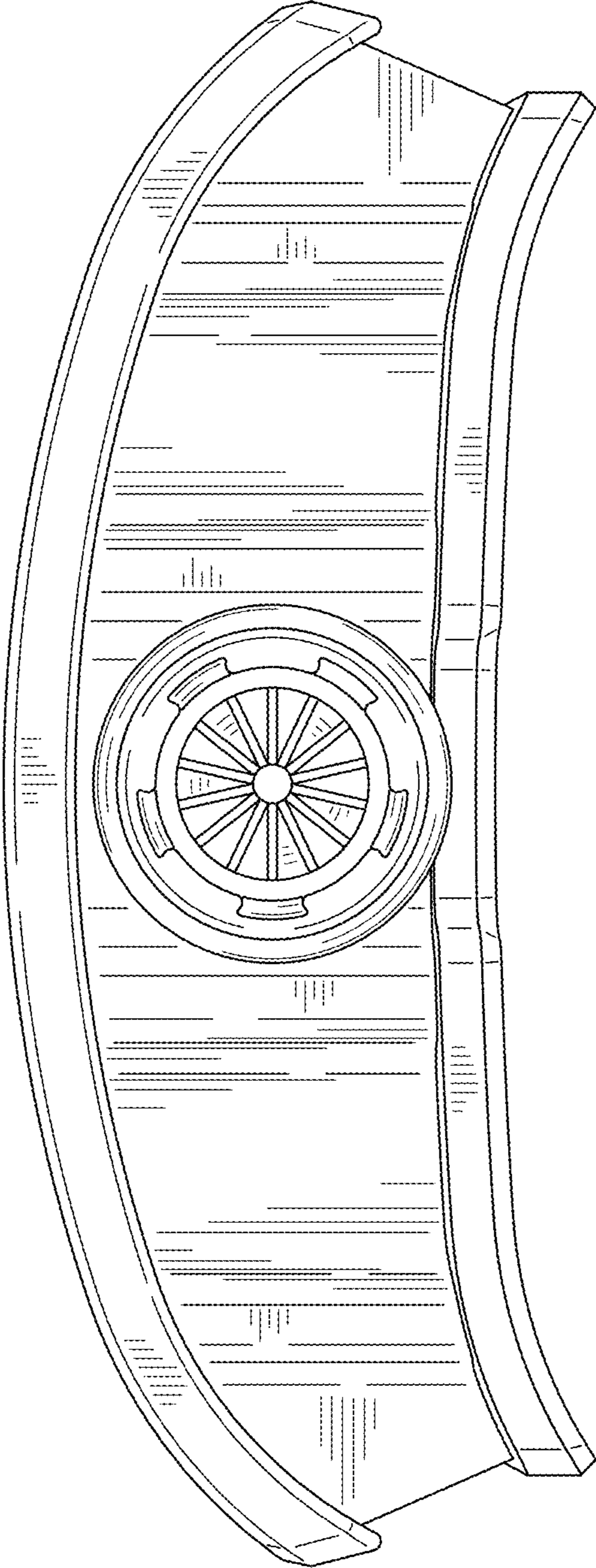


FIG. 5

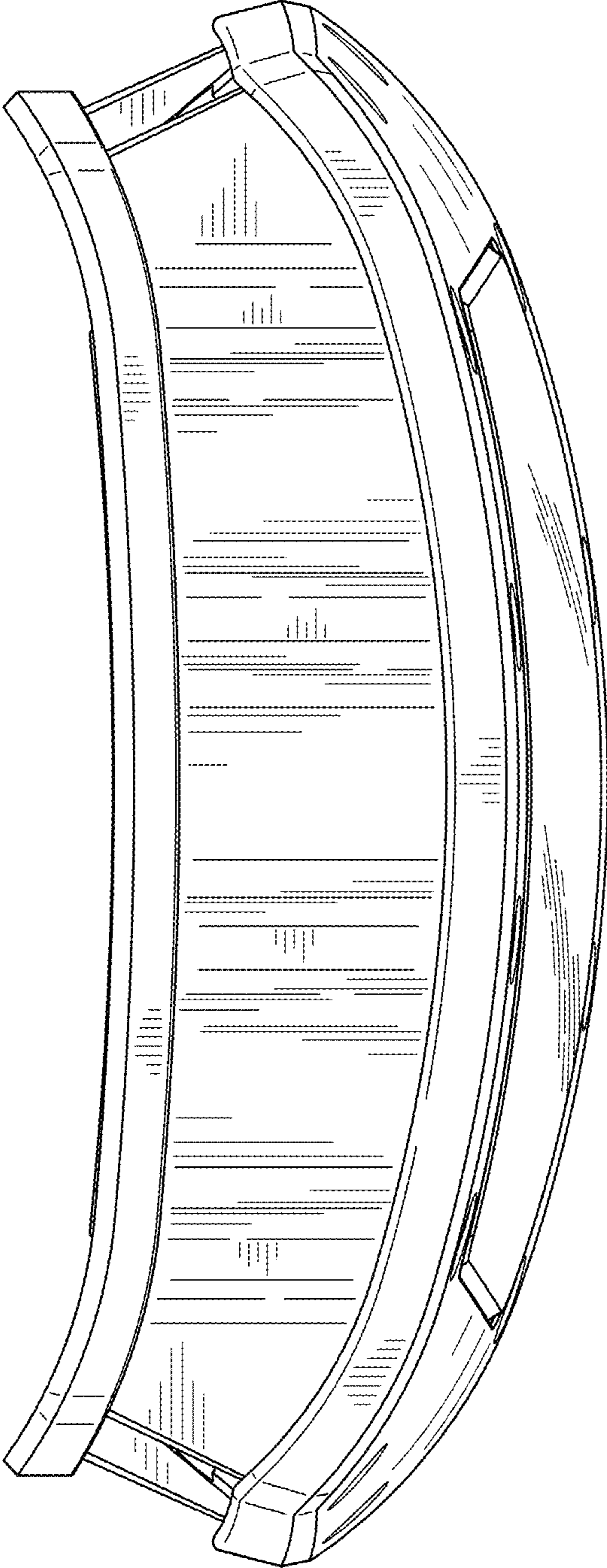


FIG. 6

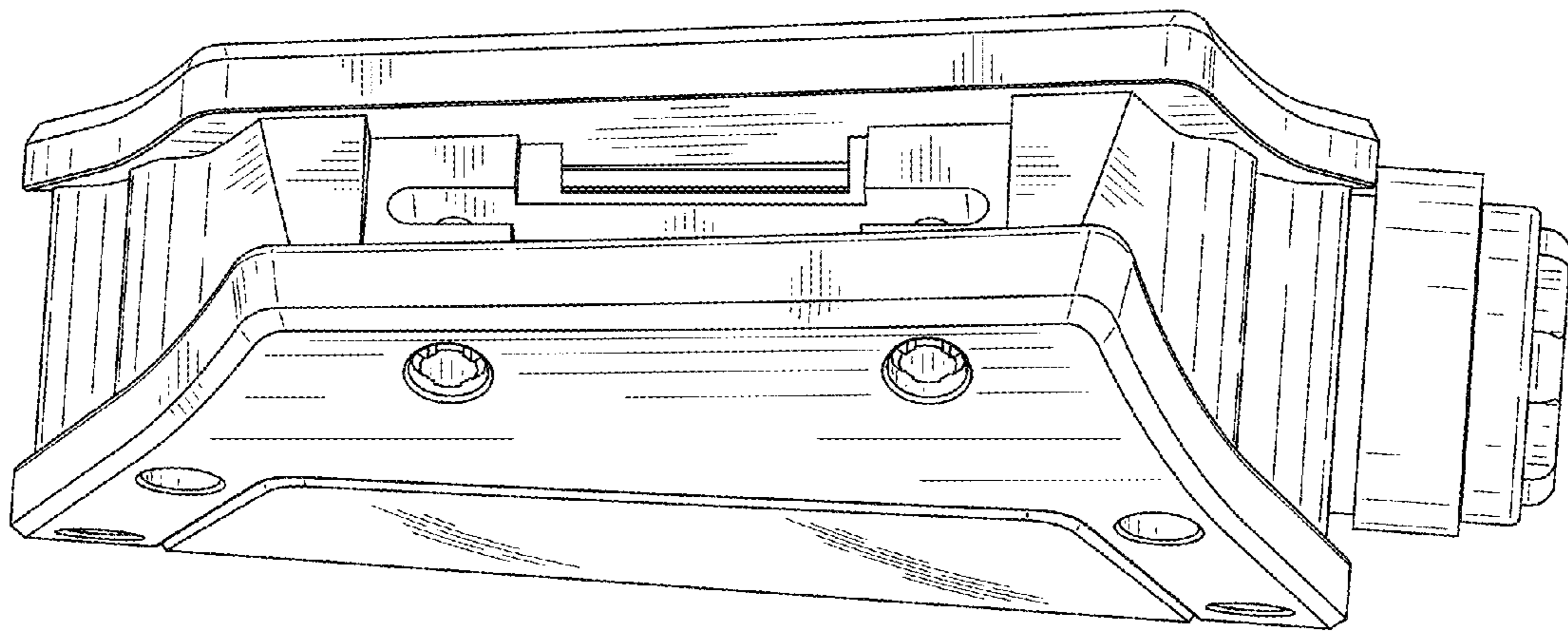


FIG. 7

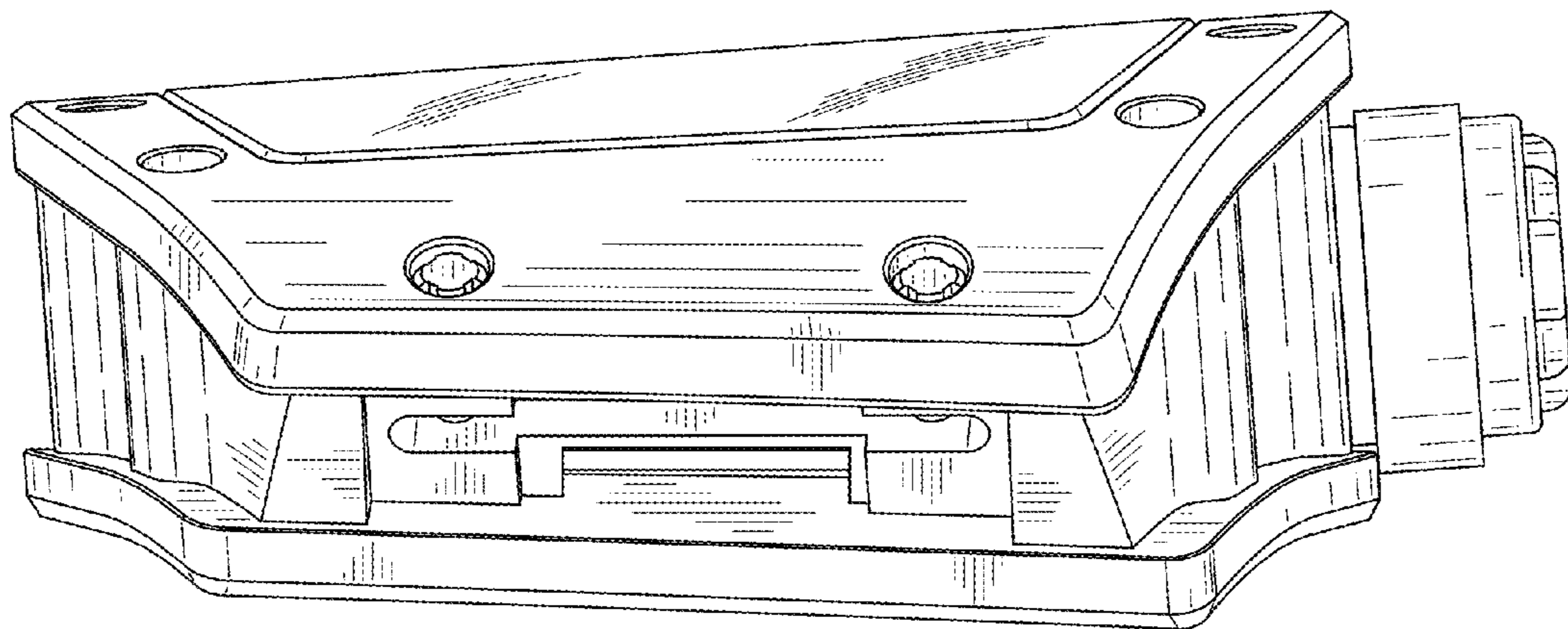


FIG. 8

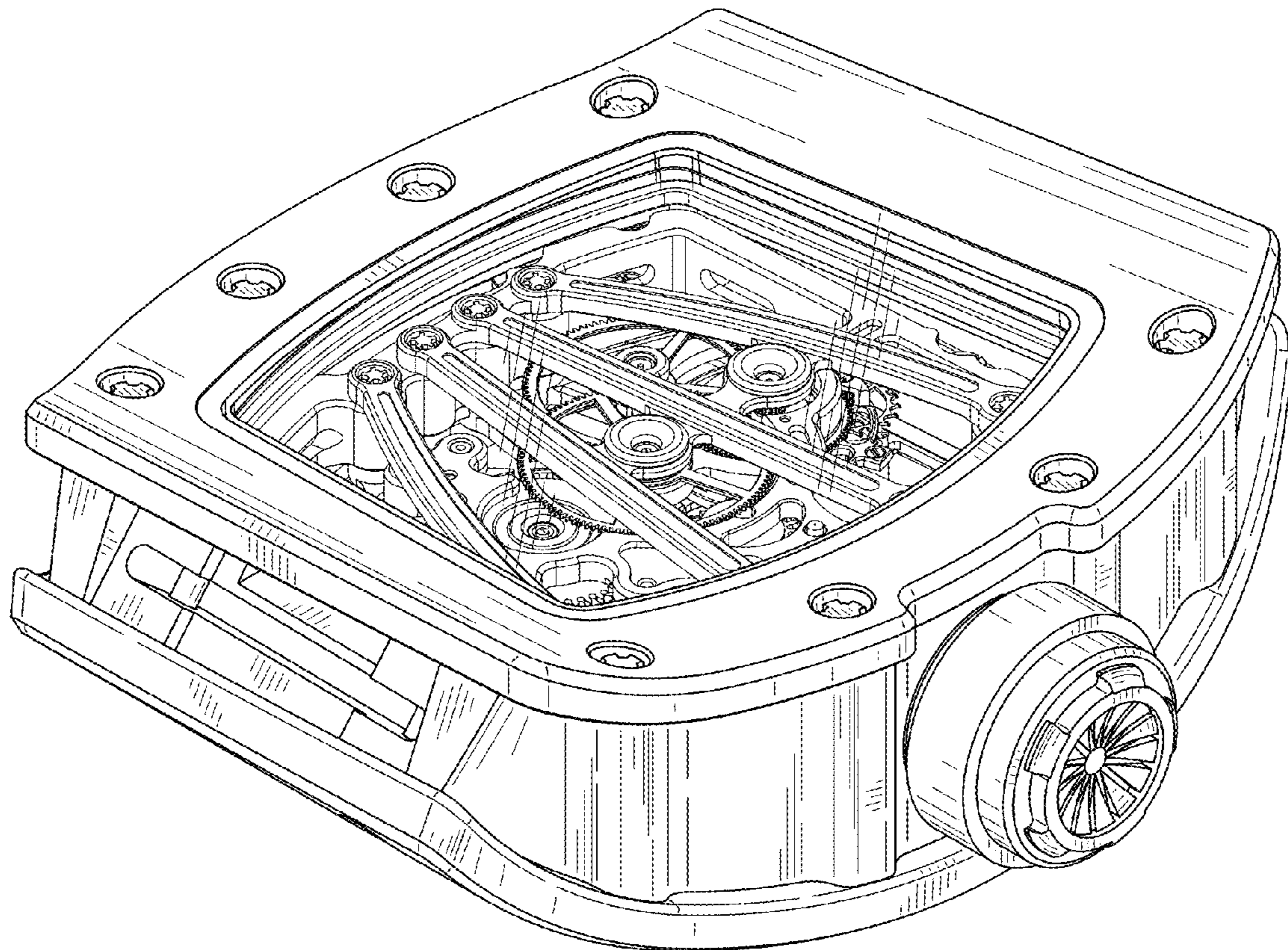


FIG. 9

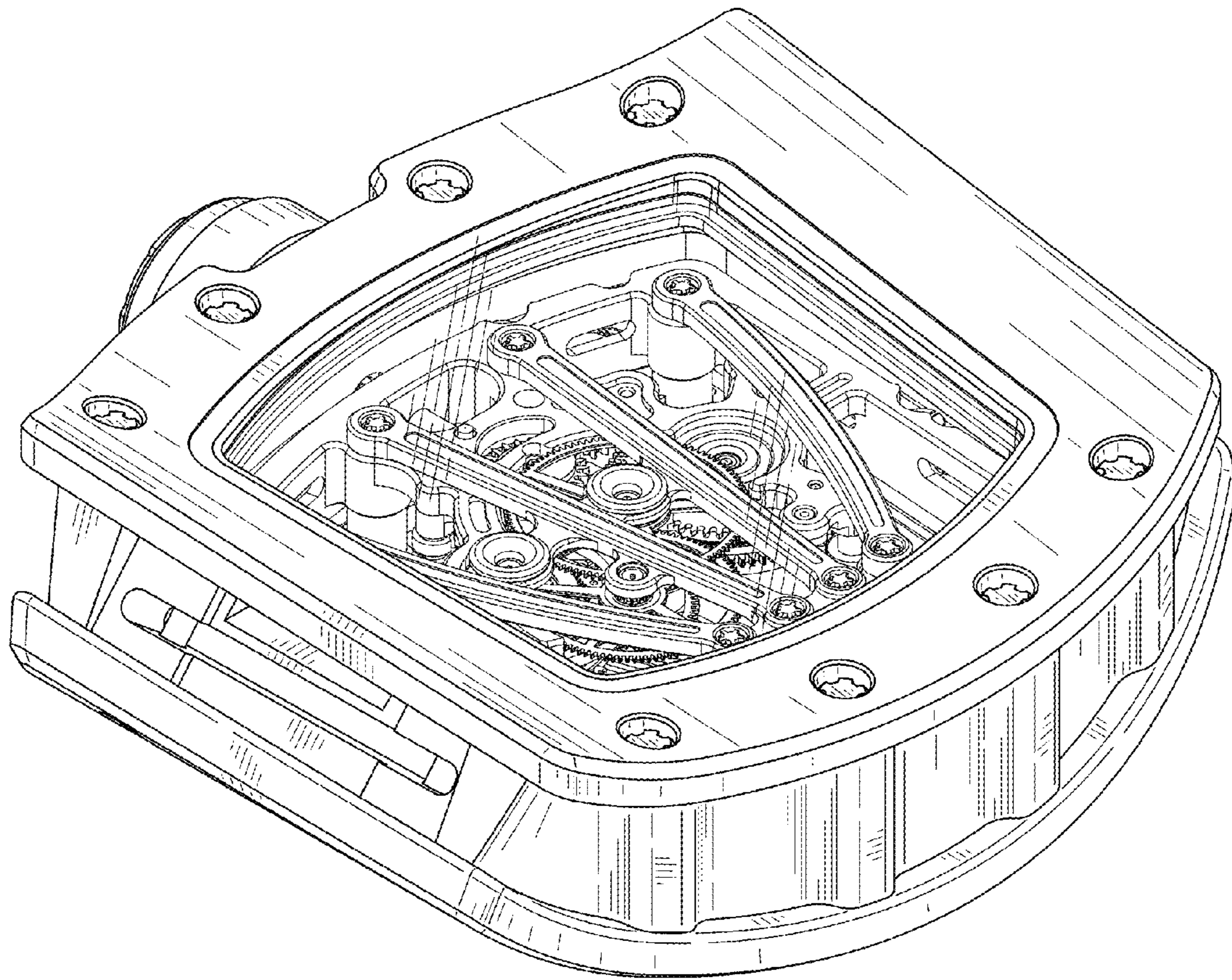


FIG. 10