



US00D736650S

(12) **United States Design Patent**
Butts et al.

(10) **Patent No.:** **US D736,650 S**
(45) **Date of Patent:** **** Aug. 18, 2015**

(54) **SANDAL PACKAGING**

(71) Applicant: **Wolverine World Wide, Inc.**, Rockford, MI (US)

(72) Inventors: **Colin J. Butts**, Grand Rapids, MI (US);
John Swider, Downers Grove, IL (US);
Melissa Jernigan, Downers Grove, IL (US)

(73) Assignee: **Wolverine World Wide, Inc.**, Rockford, MI (US)

(**) Term: **14 Years**

(21) Appl. No.: **29/456,365**

(22) Filed: **May 30, 2013**

(51) **LOC (10) Cl.** **09-05**

(52) **U.S. Cl.**
USPC **D9/711**

(58) **Field of Classification Search**
USPC D9/702-715, 414-415, 418-419, 434,
D9/501, 430-431, 424; 206/461, 464, 467,
206/806, 495, 481, 482-483, 278.1, 8, 9,
206/11, 279-287, 287.1, 288-299;
211/85.3; 223/85, 82, 88; 229/87.16,
229/103.2, 87.01, 87.15, 117.12, 117.18
See application file for complete search history.

(56) **References Cited**

U.S. PATENT DOCUMENTS

D249,122 S * 8/1978 Bjornsson D9/415
D258,423 S * 3/1981 Alvarez et al. D9/704
4,257,522 A * 3/1981 Thorneburg 206/299

D391,157 S * 2/1998 Snitzer et al. D9/415
D412,278 S * 7/1999 Josephs
D454,062 S * 3/2002 Garrant et al. D9/415
D503,334 S * 3/2005 Keating D9/415
D588,933 S * 3/2009 Bonzagni et al. D9/711
D633,381 S * 3/2011 Klauder D9/418
D643,746 S * 8/2011 Yoe et al. D9/711
D657,693 S * 4/2012 Krankkala et al. D9/711
D668,159 S * 10/2012 Althoff D9/711
D696,934 S * 1/2014 Quinn et al. D9/415
2007/0251894 A1 11/2007 Kelley

* cited by examiner

Primary Examiner — Caron D Veynar

Assistant Examiner — Abraham Bahta

(74) *Attorney, Agent, or Firm* — Warner Norcross & Judd LLP

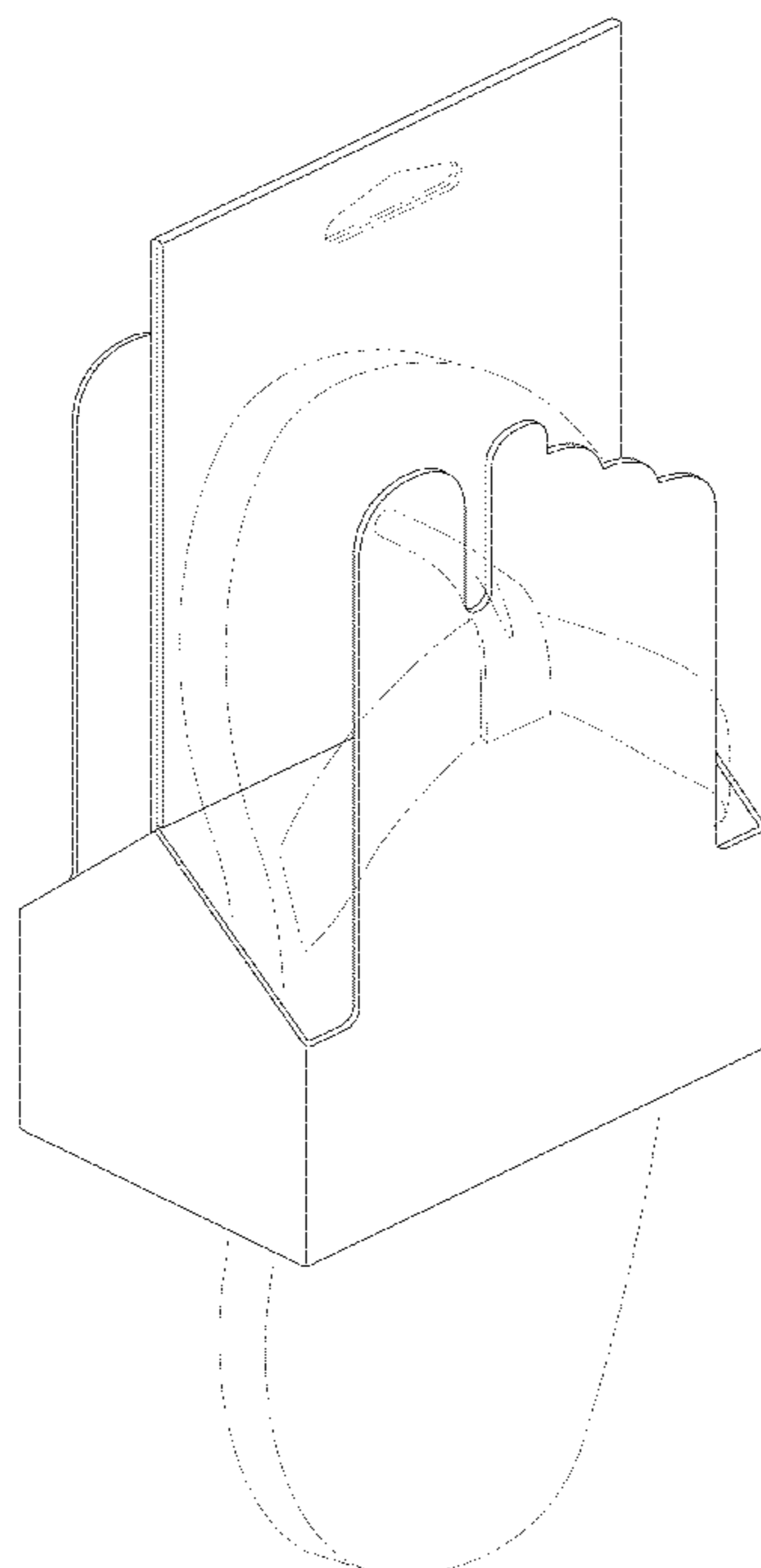
(57) **CLAIM**

The ornamental design for sandal packaging, as shown and described.

DESCRIPTION

FIG. 1 is a perspective view of the sandal packaging embodying the new design;
FIG. 2 is a front elevational view thereof, the rear elevational view being a mirror image thereof;
FIG. 3 is a right side elevational view thereof;
FIG. 4 is a left side elevational view thereof;
FIG. 5 is a top plan view thereof; and,
FIG. 6 is a bottom plan view thereof.
The phantom line showing of an opening and the sandal is included for the purpose of illustrating environmental structure and forms no part of the claimed design.

1 Claim, 2 Drawing Sheets



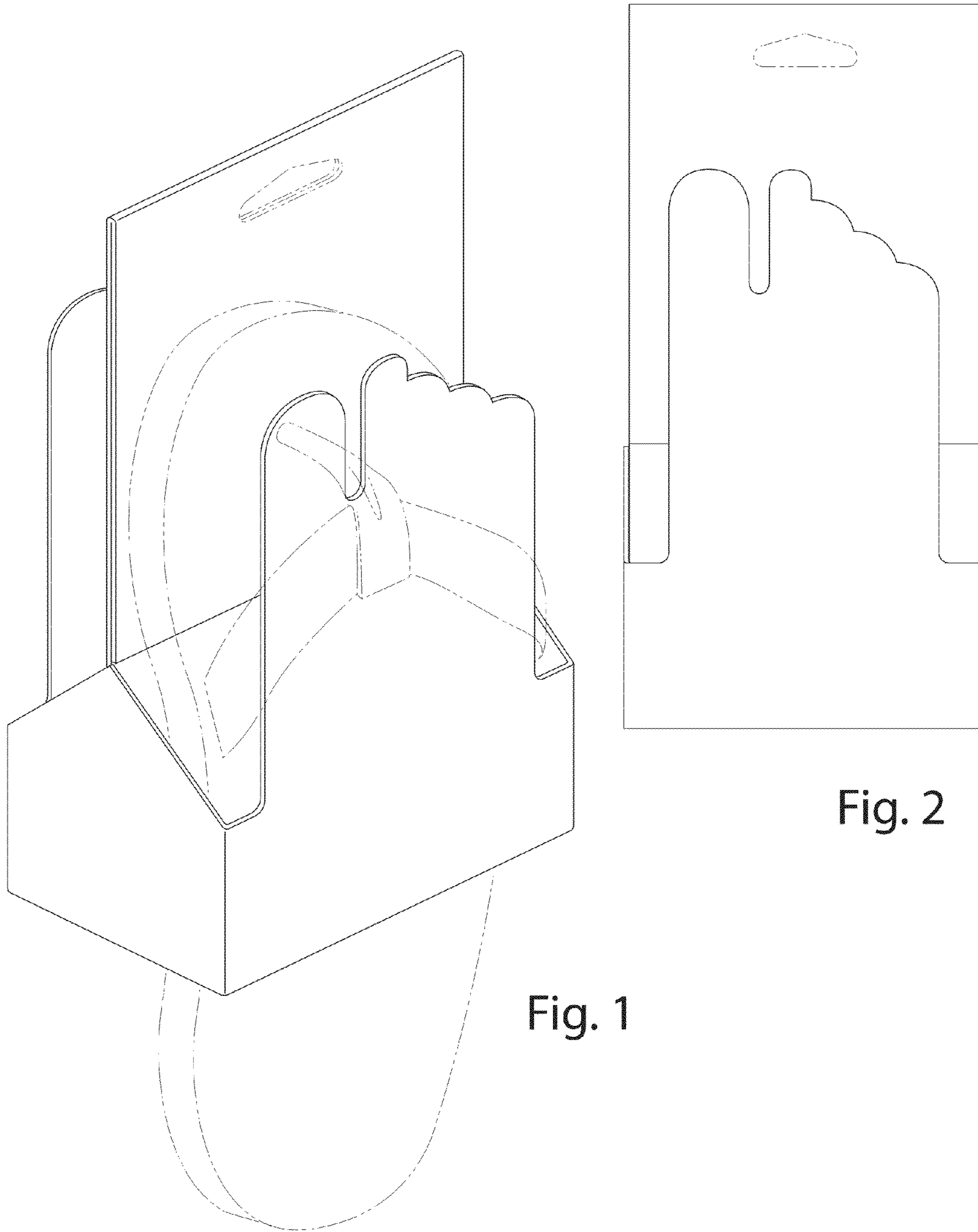


Fig. 1

Fig. 2

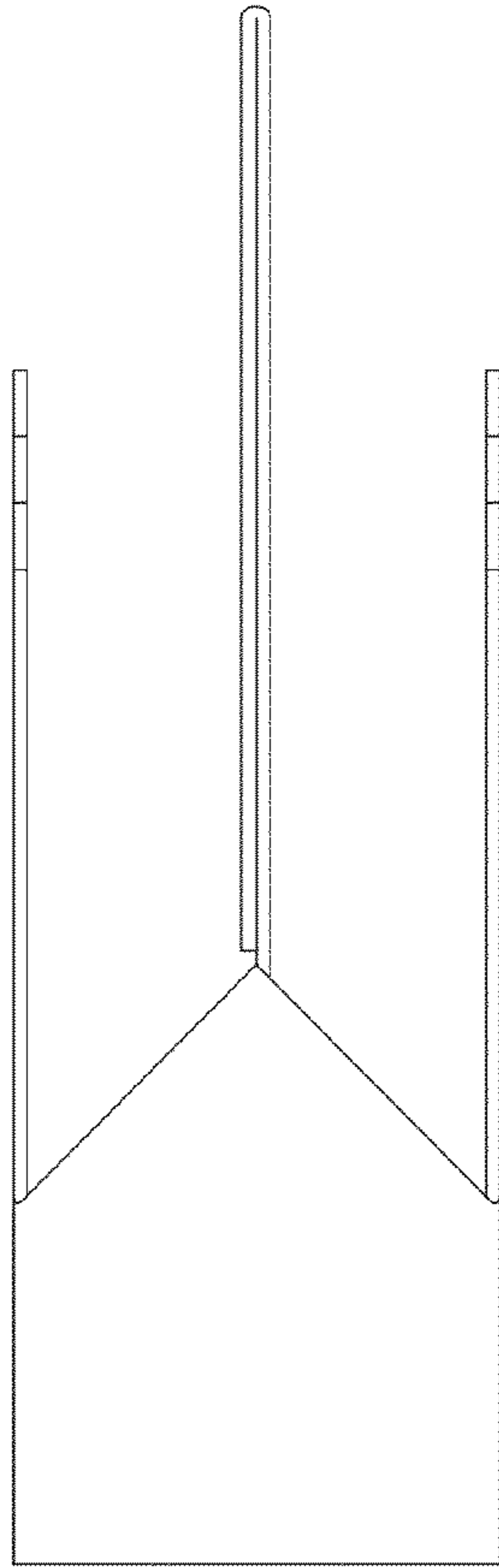


Fig. 3

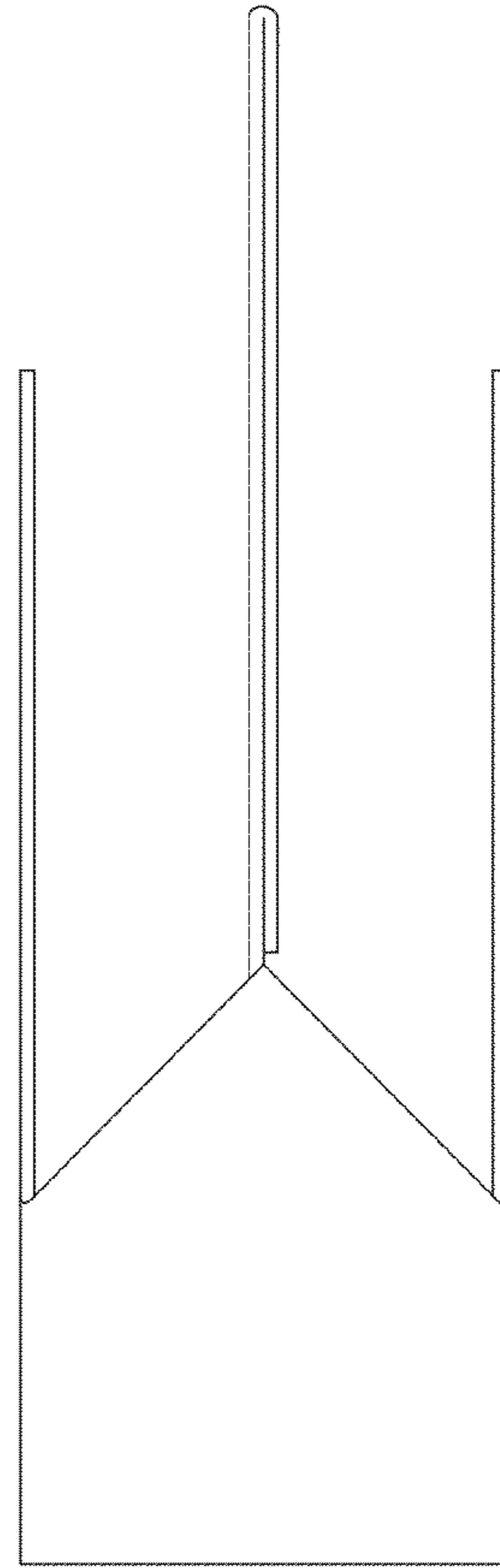


Fig. 4

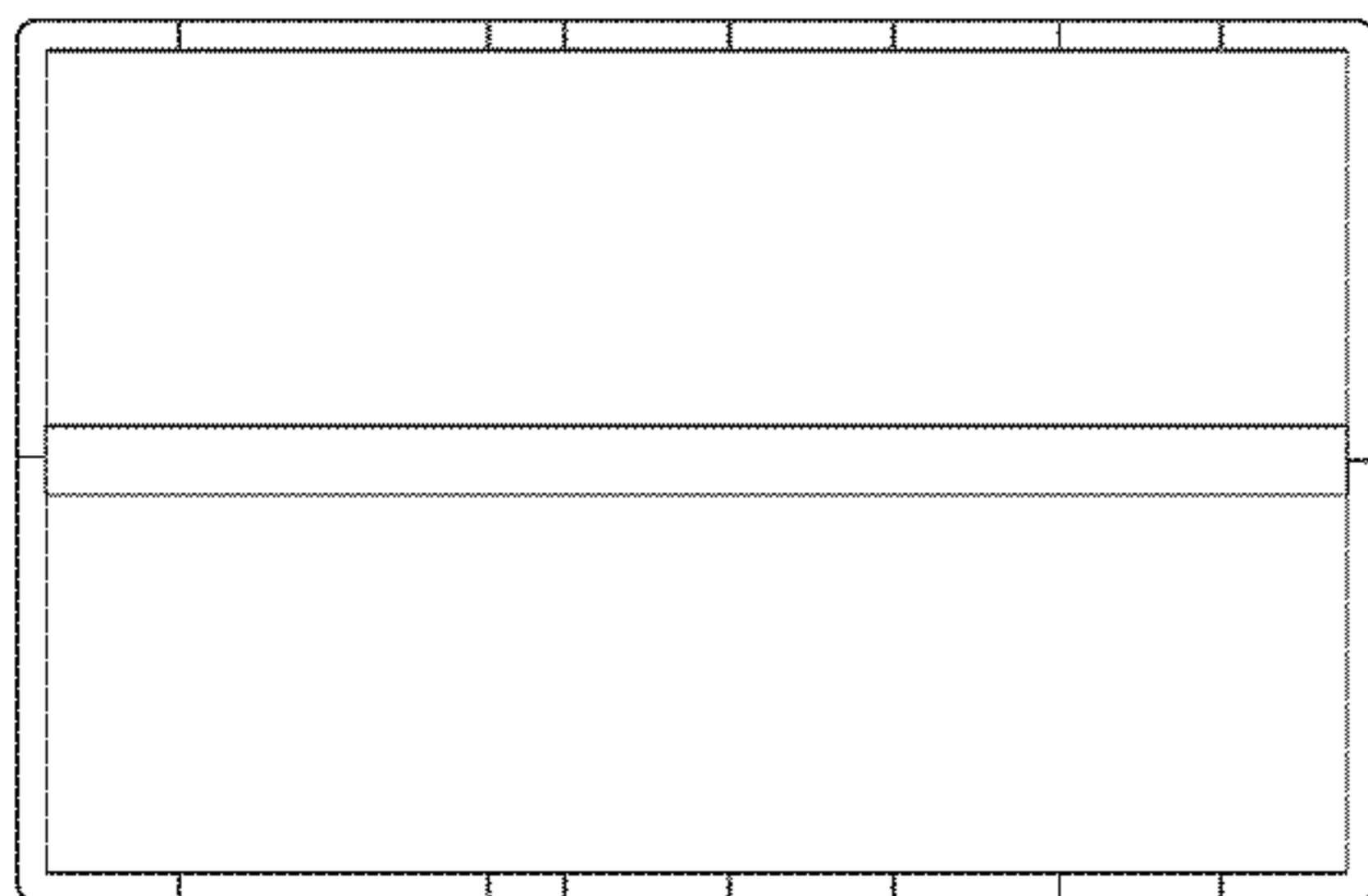


Fig. 5

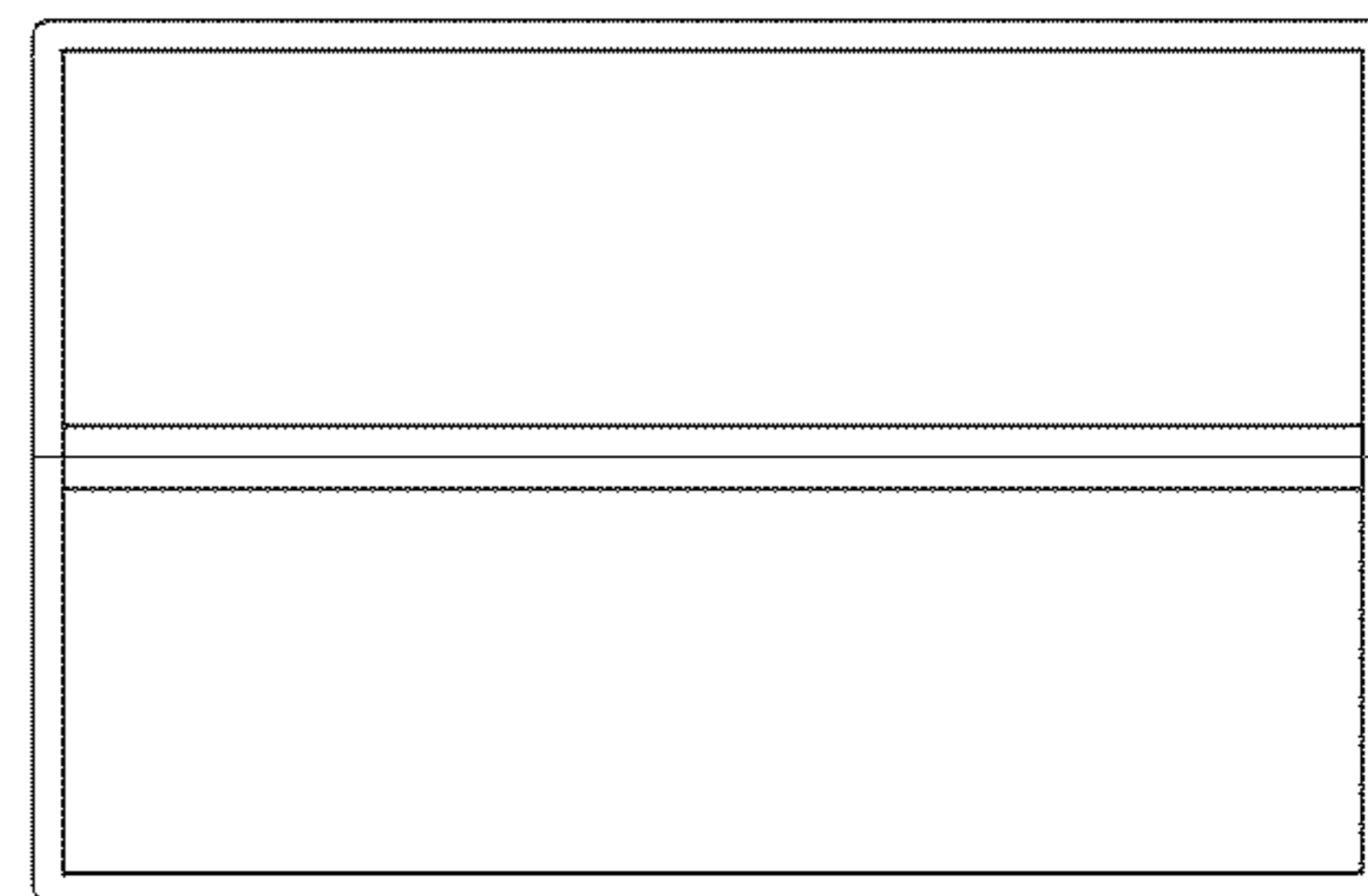


Fig. 6