



US00D736649S

(12) **United States Design Patent**  
**Carter et al.**

(10) **Patent No.:** **US D736,649 S**

(45) **Date of Patent:** **\*\* Aug. 18, 2015**

(54) **PACKAGING SLEEVE FOR A BIRD FEEDER**

D386,835 S 11/1997 Passamare  
D464,875 S 10/2002 Koppang

(71) Applicant: **Classic Brands, LLC**, Denver, CO (US)

(Continued)

(72) Inventors: **James Carter**, Denver, CO (US); **Reena Carter**, Denver, CO (US); **Robert Donegan**, Denver, CO (US)

**OTHER PUBLICATIONS**

Non-Final Office Action, Design U.S. Appl. No. 29/382,074, mailed Mar. 15, 2012, 12 pages.

(73) Assignee: **Classic Brands, LLC**, Denver, CO (US)

(Continued)

(\*\*) Term: **14 Years**

*Primary Examiner* — Caron D Veynar

*Assistant Examiner* — Abraham Bahta

(21) Appl. No.: **29/438,174**

(74) *Attorney, Agent, or Firm* — Polsinelli. PC

(22) Filed: **Nov. 27, 2012**

(57) **CLAIM**

The ornamental design for a packaging sleeve for a bird feeder, as shown and described.

**Related U.S. Application Data**

**DESCRIPTION**

(62) Division of application No. 29/382,074, filed on Dec. 29, 2010, now Pat. No. Des. 673,863.

(51) **LOC (10) Cl.** ..... **09-05**

(52) **U.S. Cl.**

USPC ..... **D9/711**

(58) **Field of Classification Search**

USPC ..... D9/414, 499, 418, 428, 424, 430, 432,  
D9/501, 519, 549, 702, 711, 517-518, 522,  
D9/444; 229/87.01, 87.02, 87.05, 68.1,  
229/4.5, 5.5, 117.26, 103.2, 121; 406/106;  
206/223, 499, 407, 418-420; 211/113;  
D23/266; D25/122; D2/858;  
D30/124-128, 133, 199; 119/57.8,  
119/61.1, 531, 428-435, 464, 465, 468, 475

See application file for complete search history.

FIG. 1 is a front perspective view of a packaging sleeve for a bird feeder showing our new design with the bird feeder being shown in broken lines;

FIG. 2 is another front perspective view of the packaging sleeve for a bird feeder shown separately for ease of illustration;

FIG. 3 is a front view thereof showing a cylindrical main portion and a wing portion protruding to the right of the cylindrical main portion;

FIG. 4 is a back view thereof;

FIG. 5 is a right side view thereof;

FIG. 6 is a left side view thereof showing an overlapping seam in the main cylindrical portion and abutting edges on the back side of the wing portion on the lower portion of the sleeve;

FIG. 7 is a top perspective view thereof; and,

FIG. 8 is a bottom perspective view thereof.

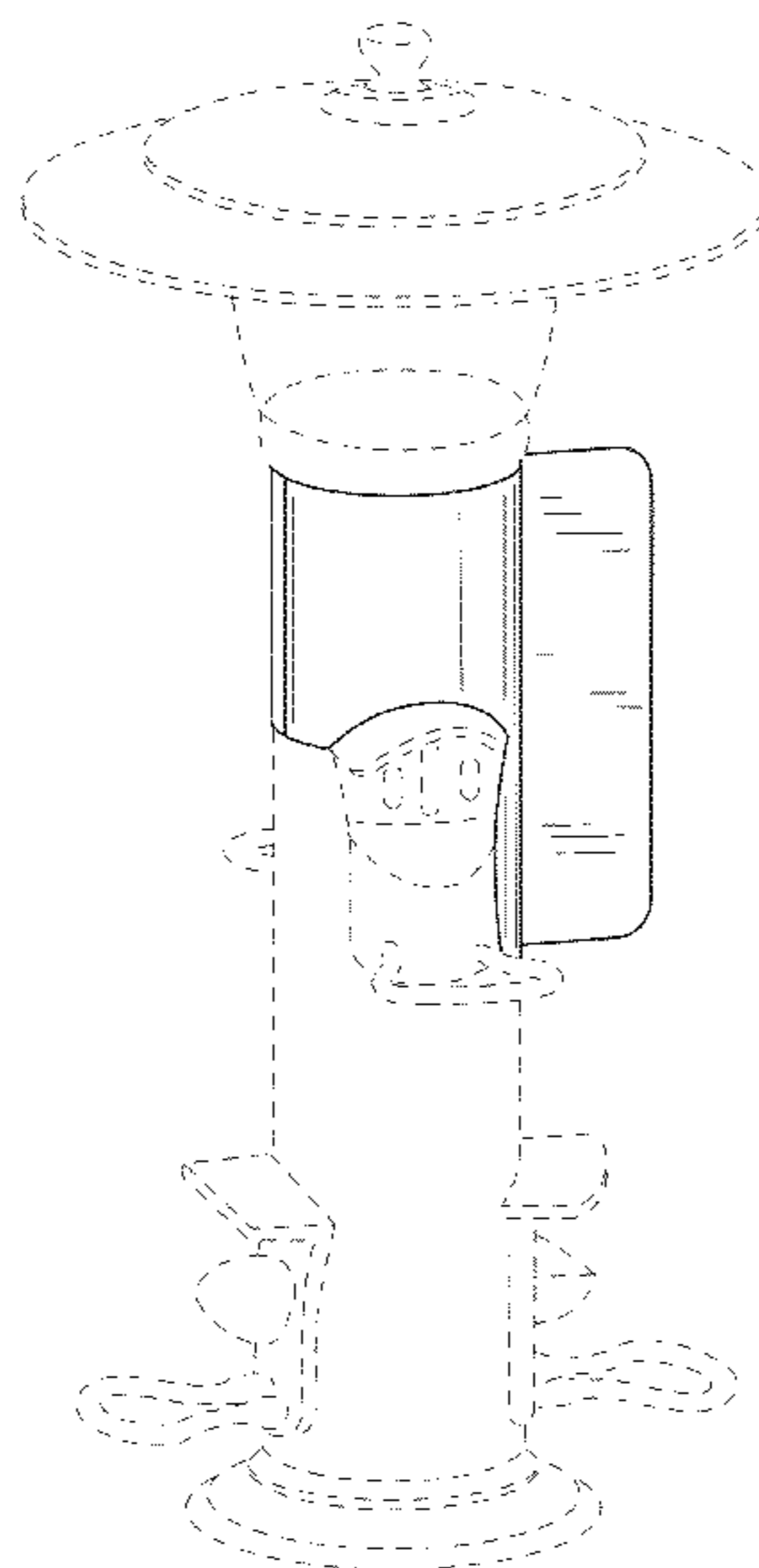
The broken lines showing a bird feeder are included for the purpose of illustrating environmental structure and form no part of the claimed design.

(56) **References Cited**

**U.S. PATENT DOCUMENTS**

D115,321 S \* 6/1939 Pueschel ..... D30/128  
4,955,319 A 9/1990 Brucker  
D374,174 S 10/1996 McClellan

**1 Claim, 7 Drawing Sheets**



(56)

**References Cited**

D692,191 S \* 10/2013 Stephens et al. .... D30/127

U.S. PATENT DOCUMENTS

OTHER PUBLICATIONS

D490,576 S \* 5/2004 Rich et al. .... D30/128  
7,418,923 B1 9/2008 Banyas et al.  
D624,830 S 10/2010 Sikorski  
7,930,995 B2 4/2011 Vosbikian  
D643,746 S 8/2011 Yoe et al.  
D649,301 S 11/2011 Fink  
D649,302 S 11/2011 Hickok  
D650,292 S 12/2011 Lai et al.

Response to Non-Final Office Action, Design U.S. Appl. No. 29/382,074, filed Jun. 15, 2012, 15 pages.  
Notice of Allowance, Design U.S. Appl. No. 29/382,074, mailed Aug. 28, 2012, 5 pages.  
U.S. Appl. No. 29/382,074, filed Dec. 29, 2010, Carter et al.

\* cited by examiner

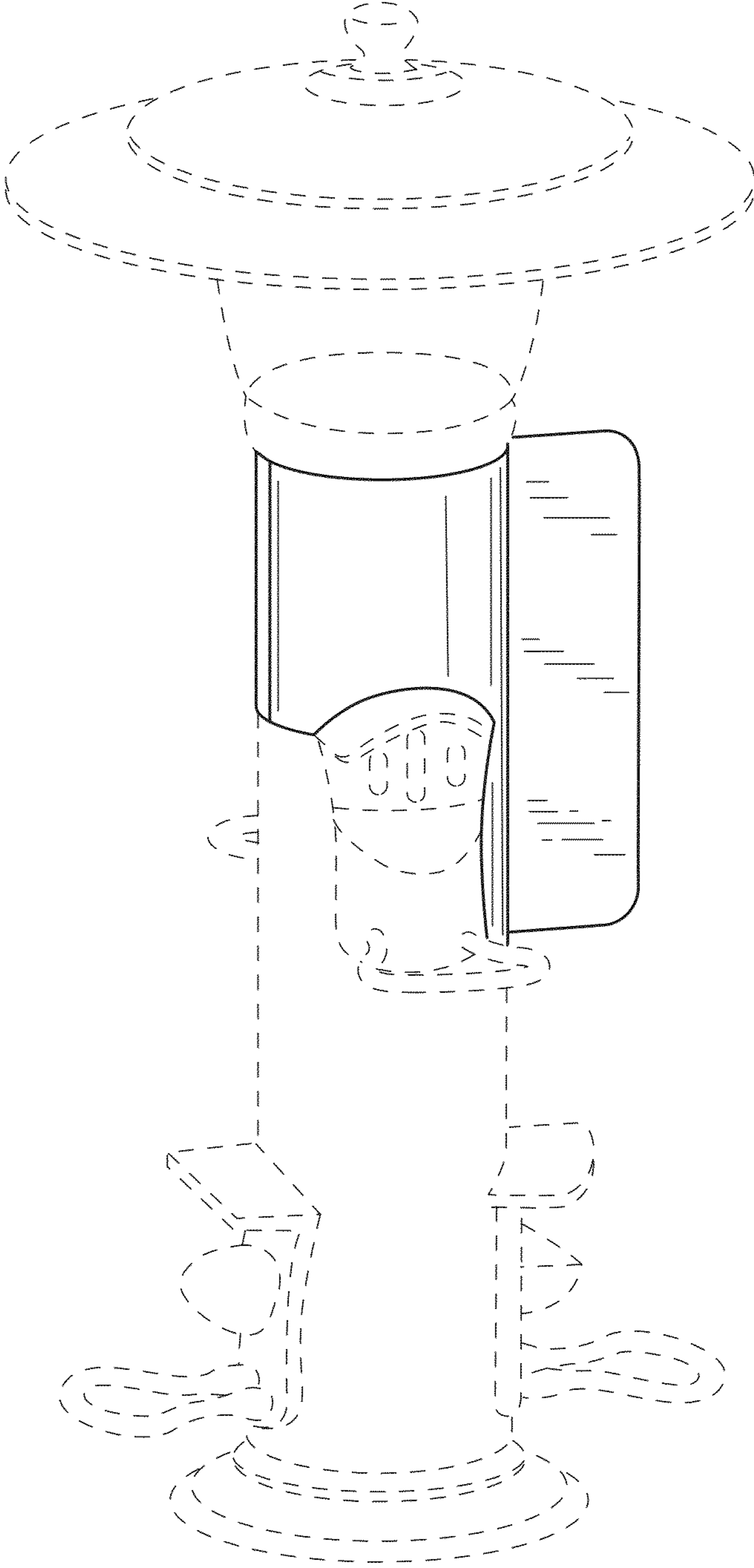


FIG.1

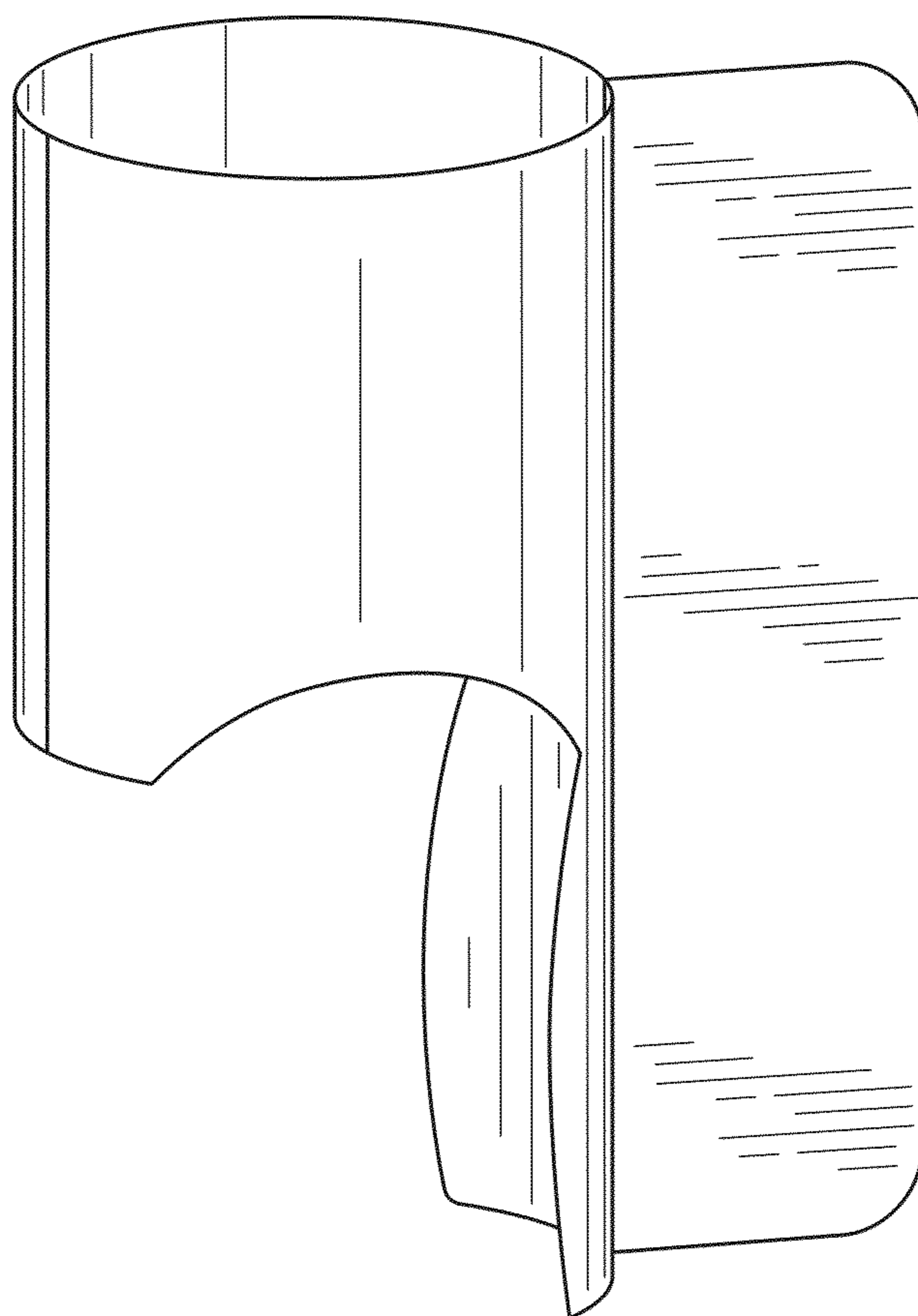


FIG.2

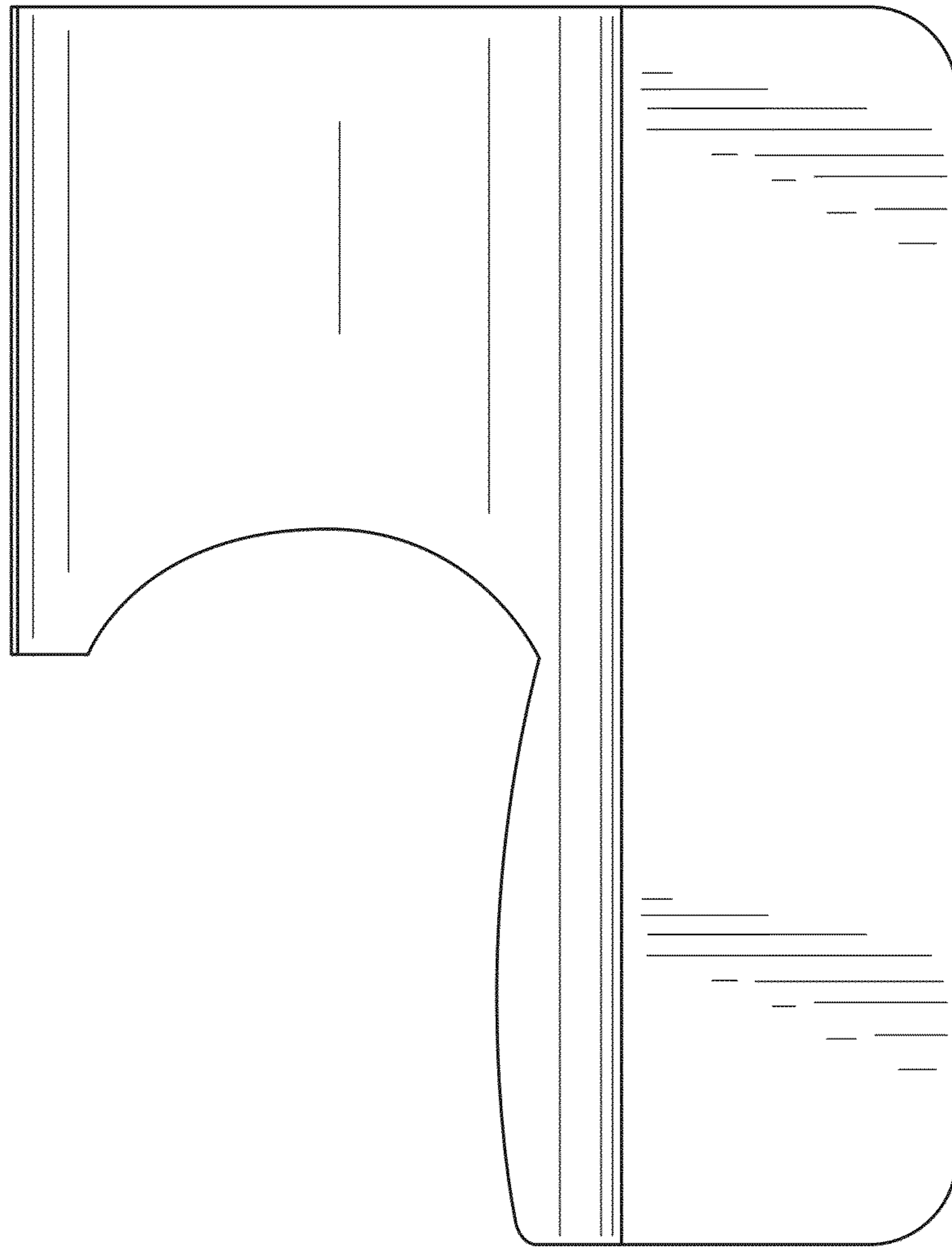


FIG. 3

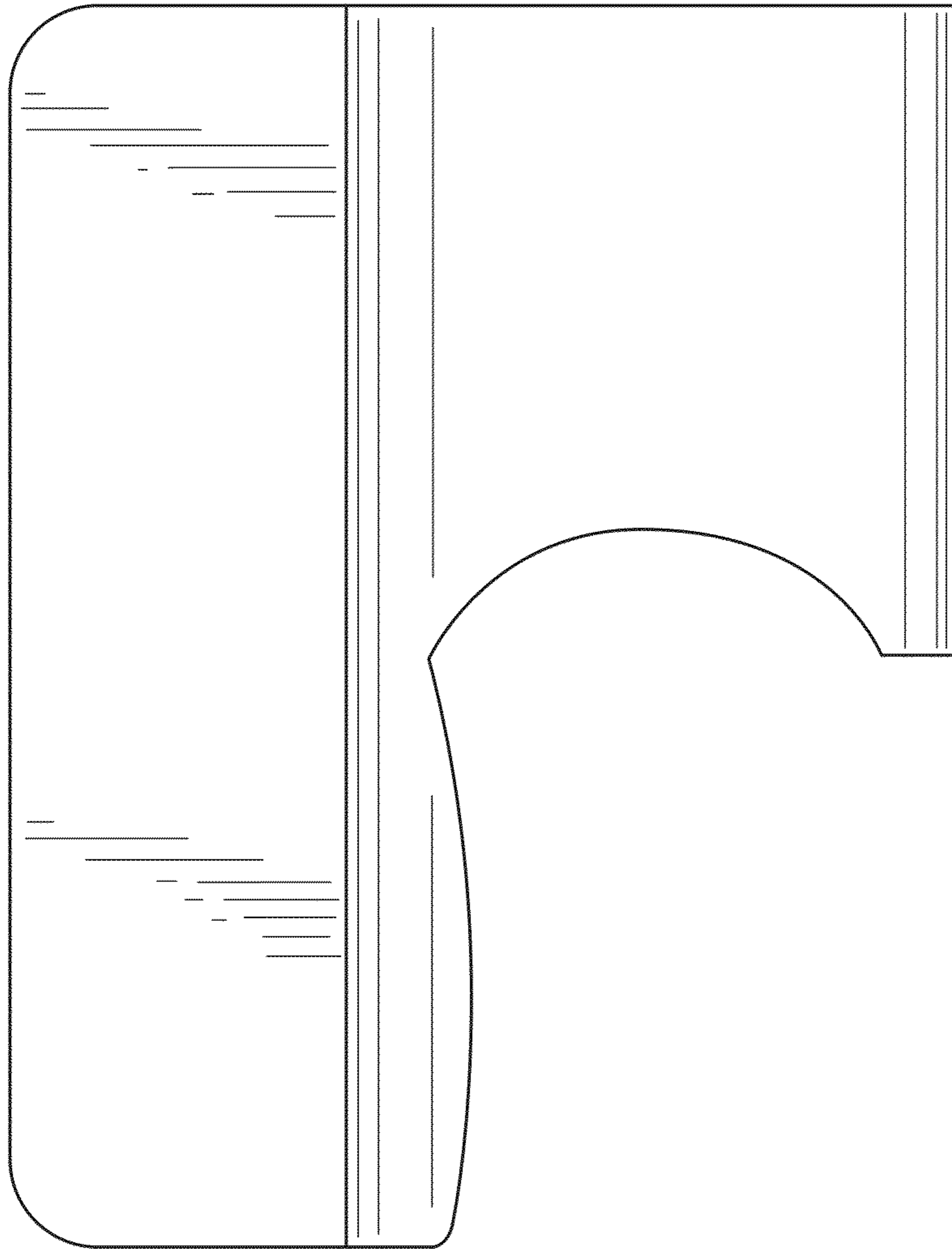


FIG.4

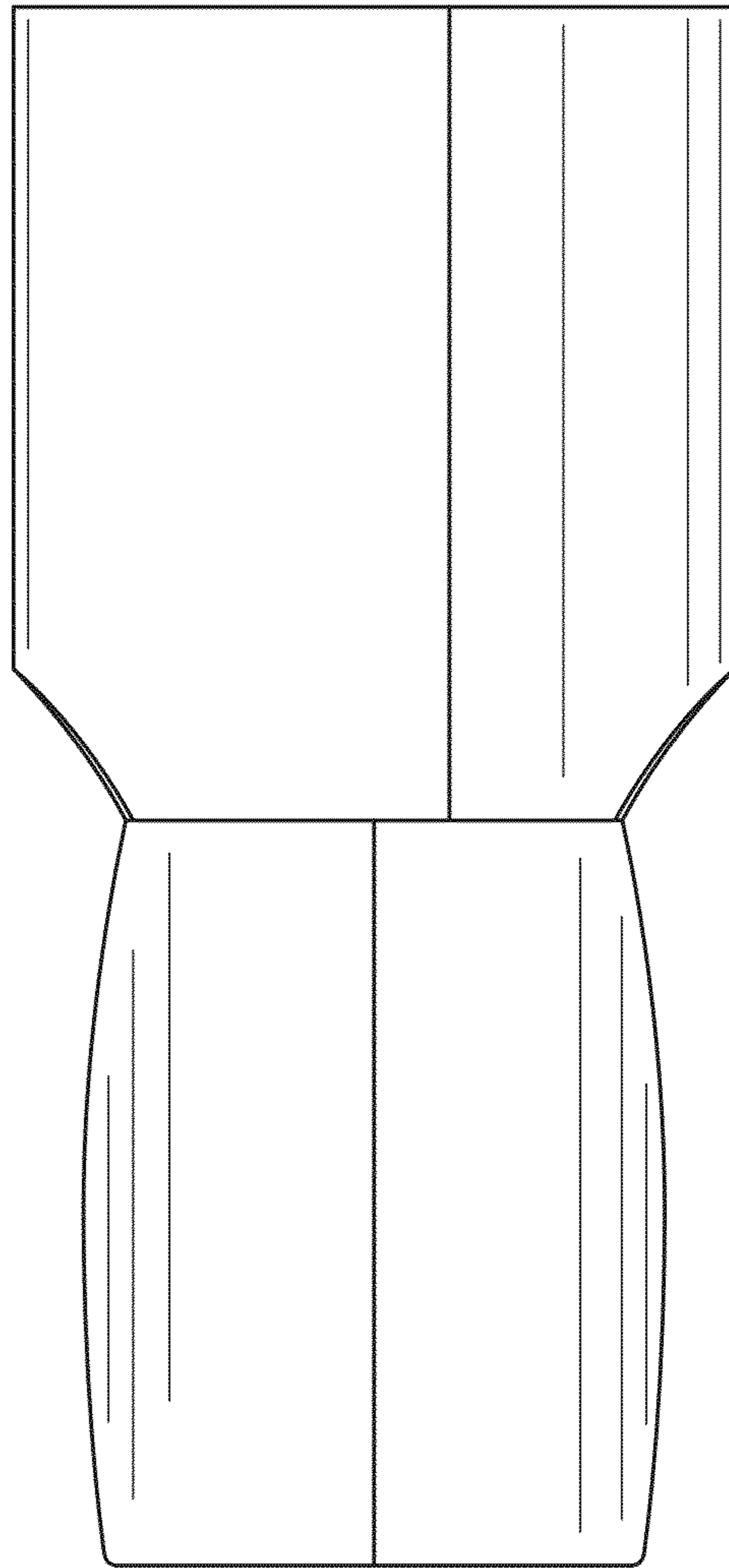


FIG.5

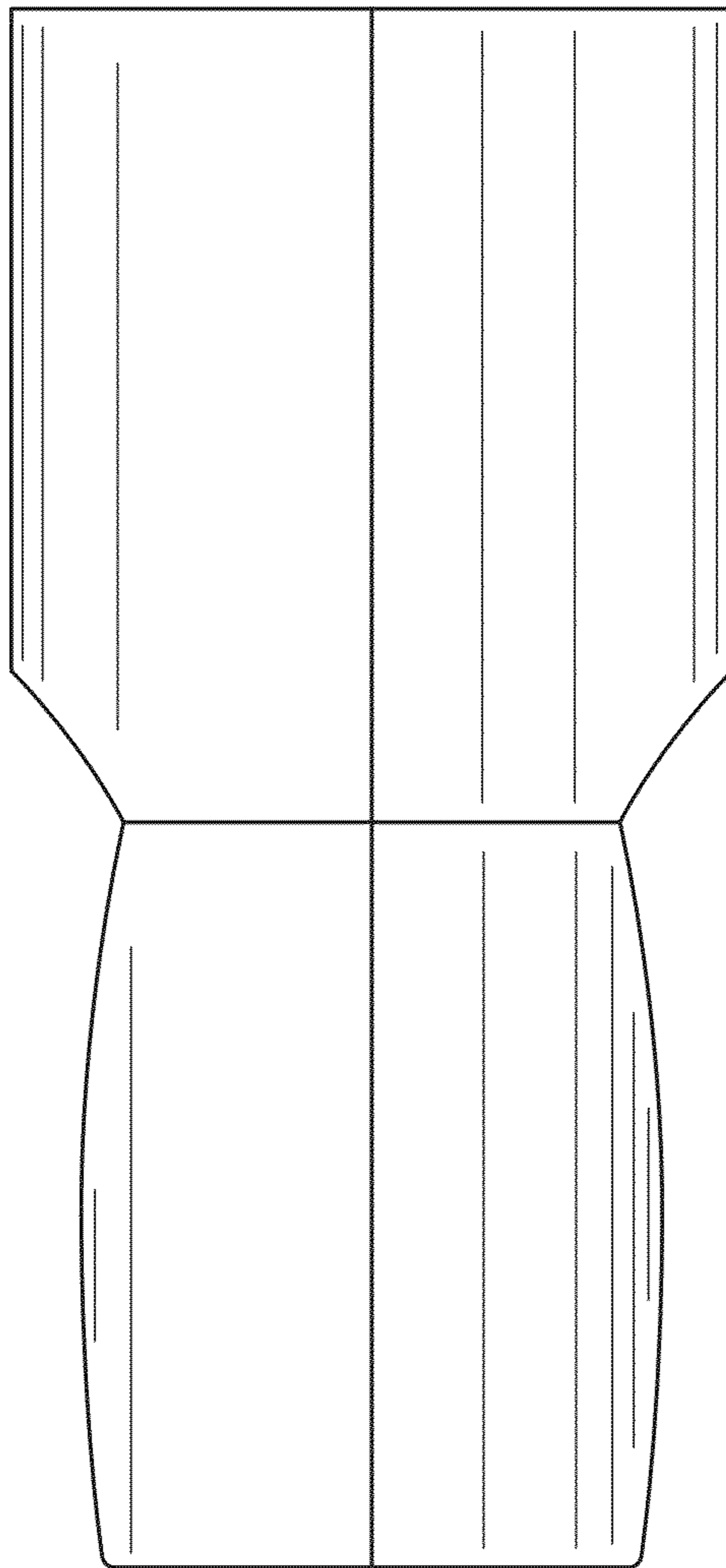


FIG.6



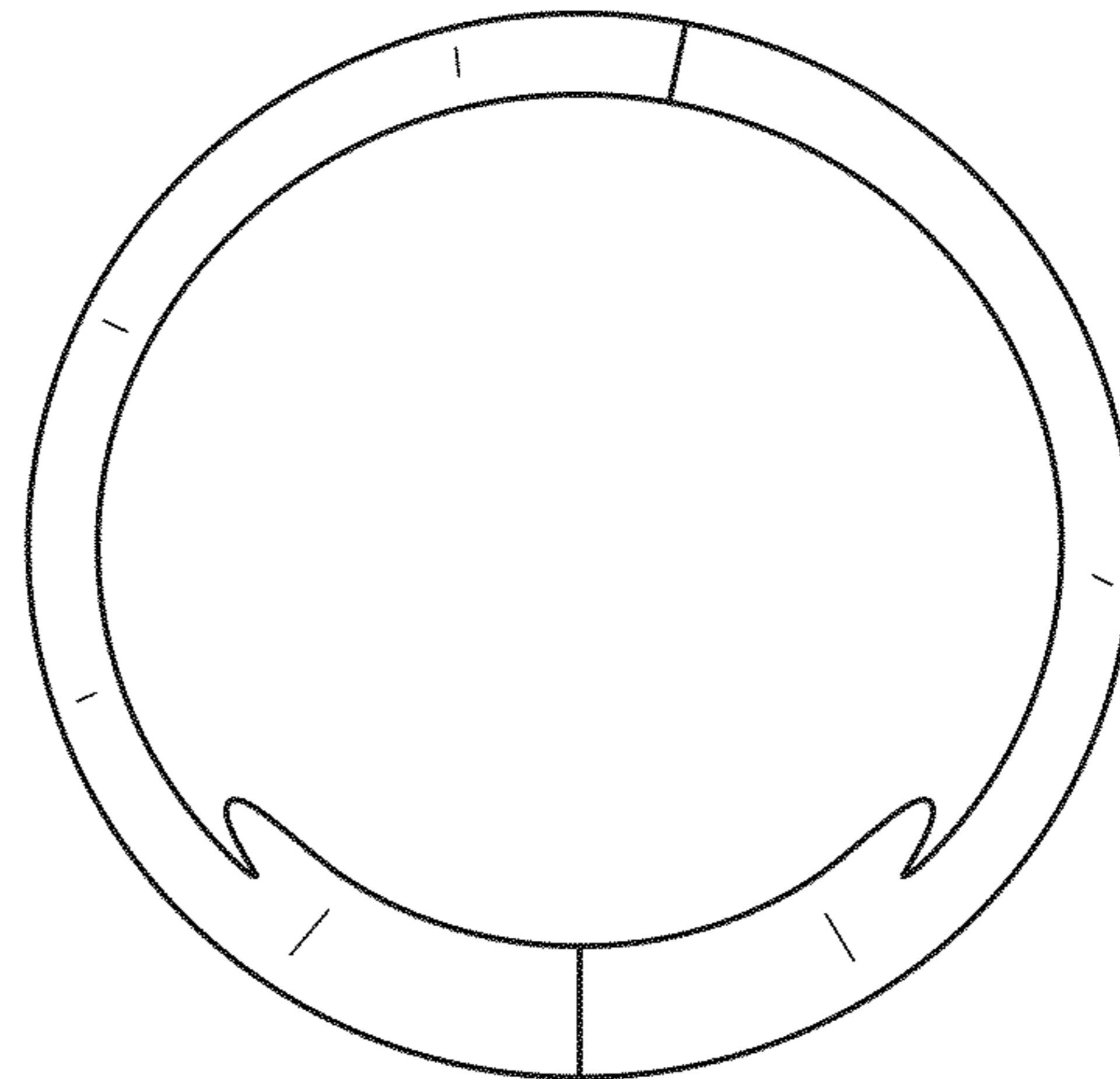


FIG. 7

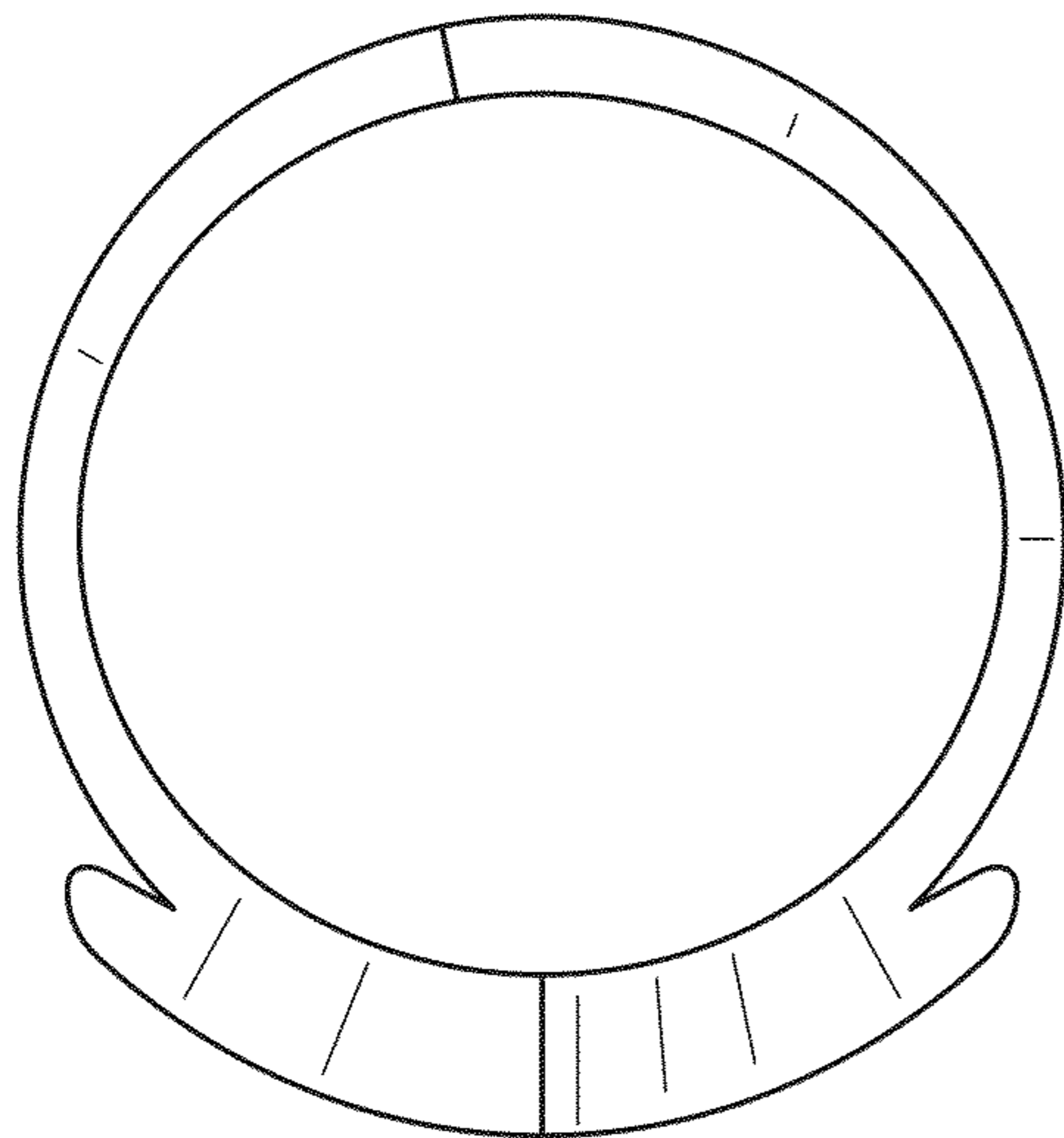


FIG. 8