



US00D736647S

(12) **United States Design Patent**
DeMarco

(10) **Patent No.:** **US D736,647 S**

(45) **Date of Patent:** **** Aug. 18, 2015**

(54) **COSMETIC CONTAINER**

FOREIGN PATENT DOCUMENTS

(71) Applicant: **MARY KAY INC.**, Dallas, TX (US)

JP D1344293 11/2008
JP D1359194 5/2009

(72) Inventor: **Jenny DeMarco**, Frisco, TX (US)

(Continued)

(73) Assignee: **Mary Kay Inc.**, Addison, TX (US)

OTHER PUBLICATIONS

(**) Term: **14 Years**

Office Action issued in ROC (Taiwan) Patent Application No. 100306493, dated Aug. 13, 2012.

(21) Appl. No.: **29/486,657**

Primary Examiner — Catherine Tuttle

(22) Filed: **Apr. 1, 2014**

(74) *Attorney, Agent, or Firm* — Norton Rose Fulbright US LLP

Related U.S. Application Data

(57) **CLAIM**

The ornamental design for a cosmetic container, as shown and described.

(62) Division of application No. 29/398,503, filed on Aug. 1, 2011, now Pat. No. Des. 702,560.

DESCRIPTION

(51) **LOC (10) Cl.** **09-01**

(52) **U.S. Cl.**
USPC **D9/694**

(58) **Field of Classification Search**
USPC D9/600–681, 682–694, 516, 517, 719,
D9/529, 544, 563–575, 737, 739, 751, 721,
D9/506; D28/5, 76, 77, 91.1; 215/379,
215/382, 386; 220/376, 602, 662, 665, 669,
220/915; 222/153.13, 153.14, 175, 182,
222/183

See application file for complete search history.

FIG. 1 is an exploded top perspective view showing my new design for a cosmetic container;
FIG. 2 is a top perspective view showing the design in its assembled state;
FIG. 3 is a front elevational view of FIG. 1;
FIG. 4 is a front elevational view of FIG. 2;
FIG. 5 is a back elevational view of FIG. 1;
FIG. 6 is a back elevational view of FIG. 2;
FIG. 7 is a left side elevational view of FIG. 1;
FIG. 8 is a left side elevational view of FIG. 2;
FIG. 9 is a right side elevational view of FIG. 1;
FIG. 10 is a right side elevational view of FIG. 2;
FIG. 11 is a top view of FIGS. 1 and 2;
FIG. 12 is a bottom view of FIGS. 1 and 2;
FIG. 13 is a bottom perspective view of FIG. 1; and,
FIG. 14 is a bottom perspective view of FIG. 2.

All other surface(s) or portion(s) of my design not shown in the figures or otherwise described in the specification form no part of the claimed design.

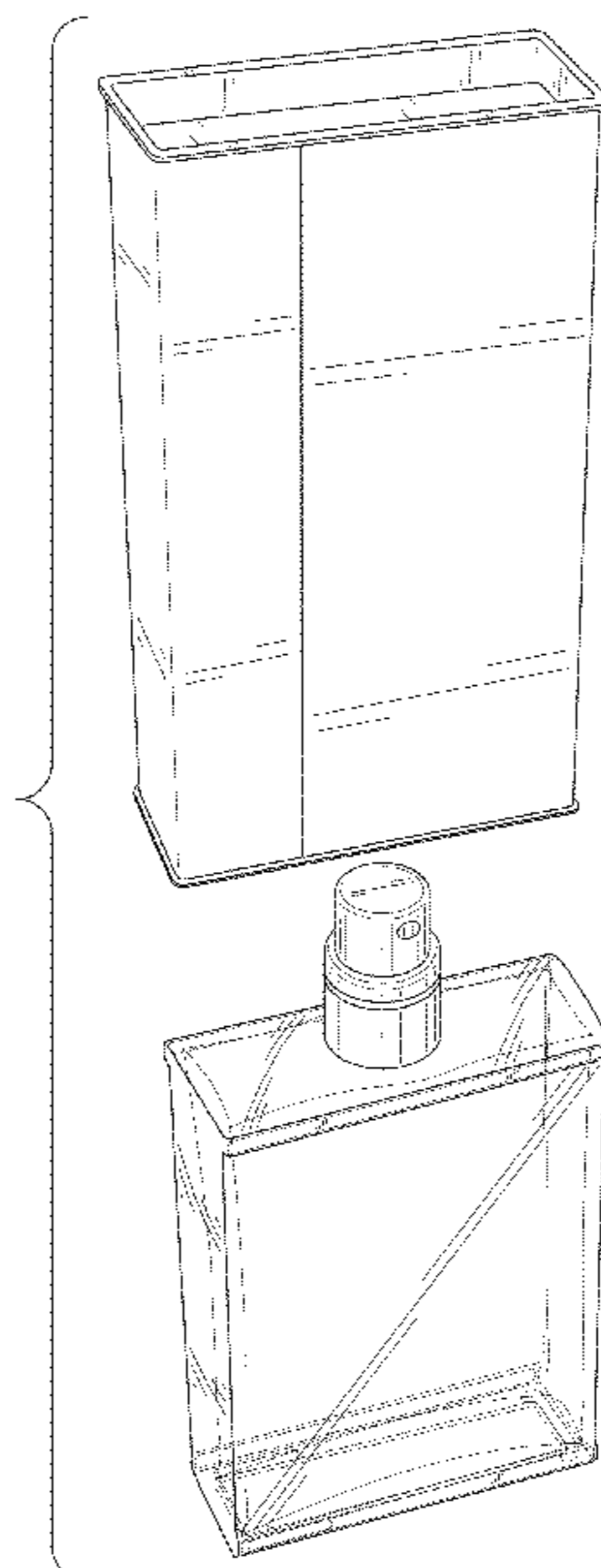
(56) **References Cited**

U.S. PATENT DOCUMENTS

D63,000 S * 9/1923 Marcus D9/529
D82,222 S * 10/1930 Kollstede D28/91.1
D157,155 S * 2/1950 Isermann D9/632

(Continued)

1 Claim, 6 Drawing Sheets



(56)

References Cited

U.S. PATENT DOCUMENTS

D159,205 S * 7/1950 Heftler-Louice D9/635
 2,609,970 A * 9/1952 Blumson 222/192
 D217,659 S * 5/1970 Dinand D9/574
 D229,394 S * 11/1973 de Givenchy D9/739
 D246,437 S * 11/1977 Grodin D9/739
 D321,829 S * 11/1991 Iazzetta D9/573
 D322,752 S 12/1991 Zintzmeyer D9/694
 D343,351 S 1/1994 Haythornthwaite D9/689
 D356,247 S 3/1995 Manoukian D9/686
 D386,001 S * 11/1997 Saffran D9/573
 D395,598 S 6/1998 Van Lit et al. D9/686
 D395,829 S * 7/1998 Wacker et al. D9/573
 D422,901 S 4/2000 Young et al. D9/689
 D430,793 S 9/2000 Baron D9/688
 D459,651 S * 7/2002 Gagnon D9/687
 D465,149 S 11/2002 Bennett et al. D9/691
 6,478,195 B2 * 11/2002 Duquet et al. 222/183
 D466,403 S 12/2002 Haas et al. D9/687
 D467,162 S 12/2002 Viellard D9/687
 D473,457 S 4/2003 Reinoso D9/686

D476,573 S 7/2003 Diete D9/529
 D477,999 S * 8/2003 Lloyd D9/414
 D484,418 S 12/2003 Diete D9/529
 D487,696 S 3/2004 Sonneman D9/691
 D492,588 S 7/2004 Herrmann D7/682
 D507,753 S 7/2005 Lamb et al. D9/689
 D510,276 S 10/2005 De France D9/682
 D522,872 S * 6/2006 Lascaux D9/544
 D531,039 S 10/2006 Couey D9/522
 D532,699 S * 11/2006 Mouquet D9/694
 D541,664 S * 5/2007 Galdini D9/574
 D569,265 S 5/2008 Van Der Straten D9/692
 D608,649 S * 1/2010 Rowland et al. D9/529
 D609,110 S * 2/2010 Moretti D9/627
 D618,113 S 6/2010 Bandawat et al. D9/682
 D626,007 S * 10/2010 Mouquet D9/694
 D627,228 S 11/2010 Kruetzkamp et al. D9/516

FOREIGN PATENT DOCUMENTS

TW D112690 1/2005
 TW D137525 10/2010

* cited by examiner

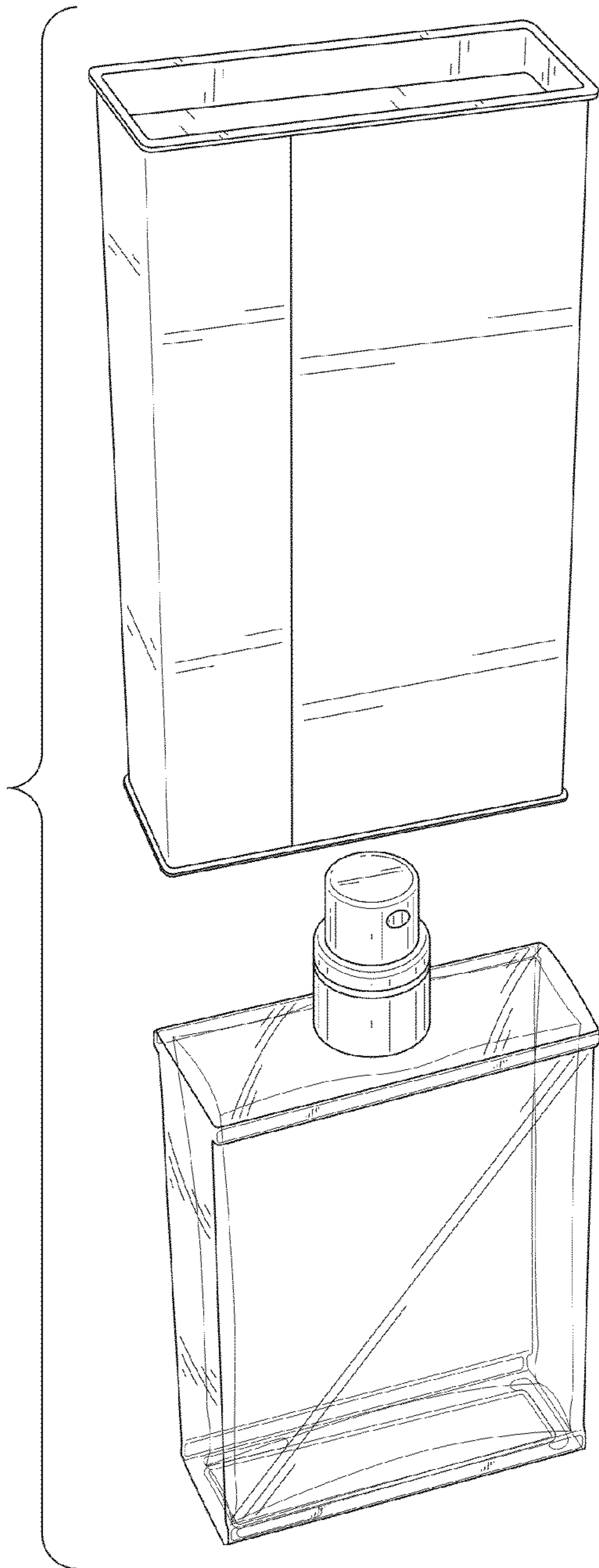


FIG. 1

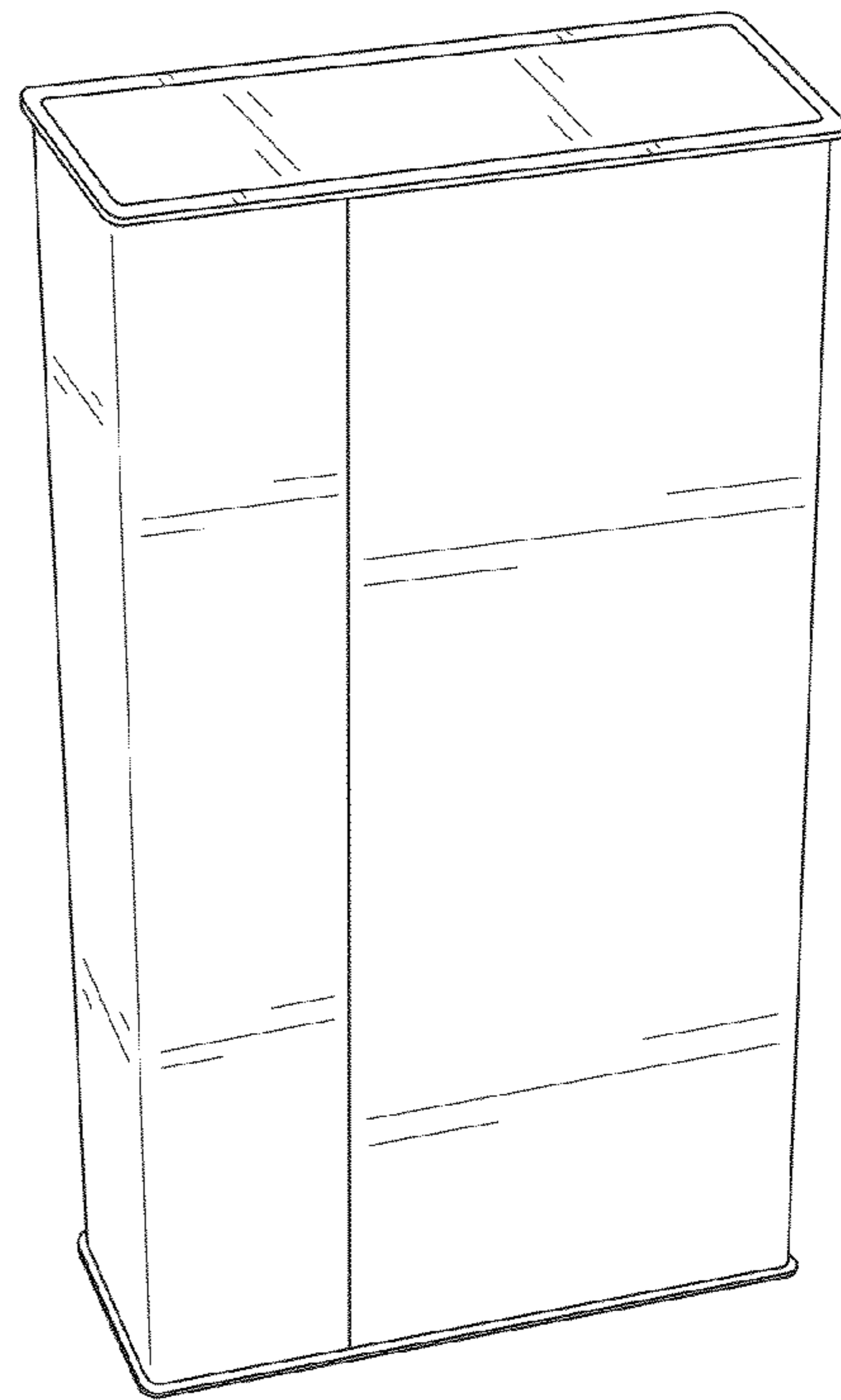


FIG. 2

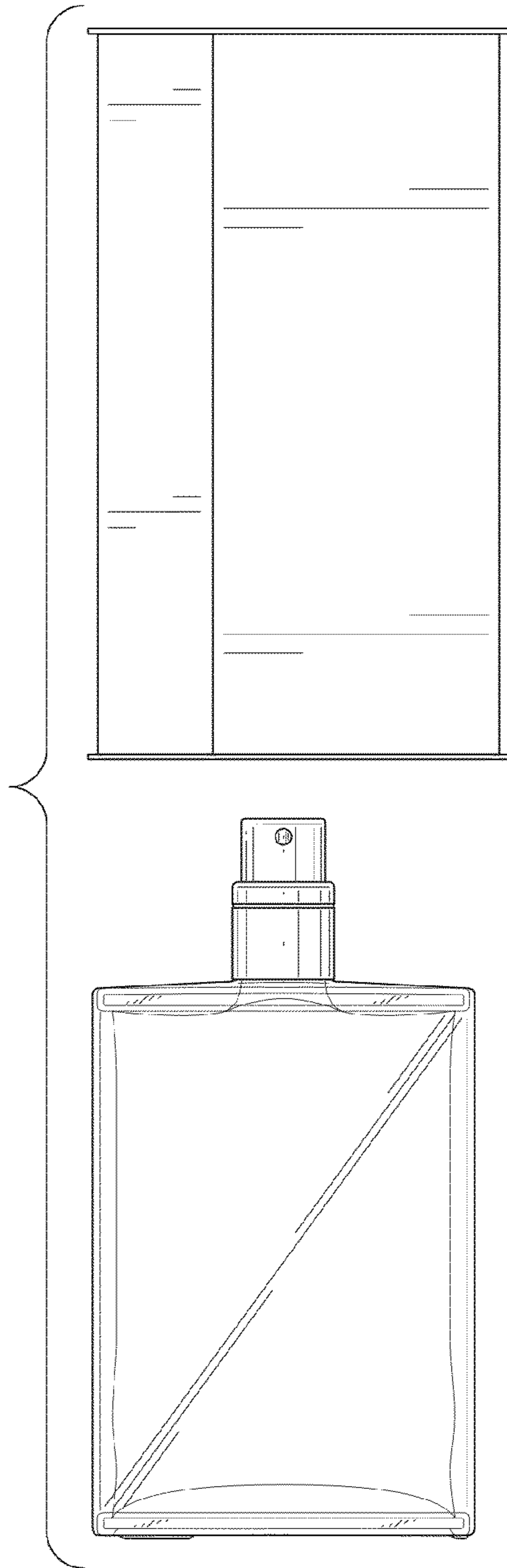


FIG. 3

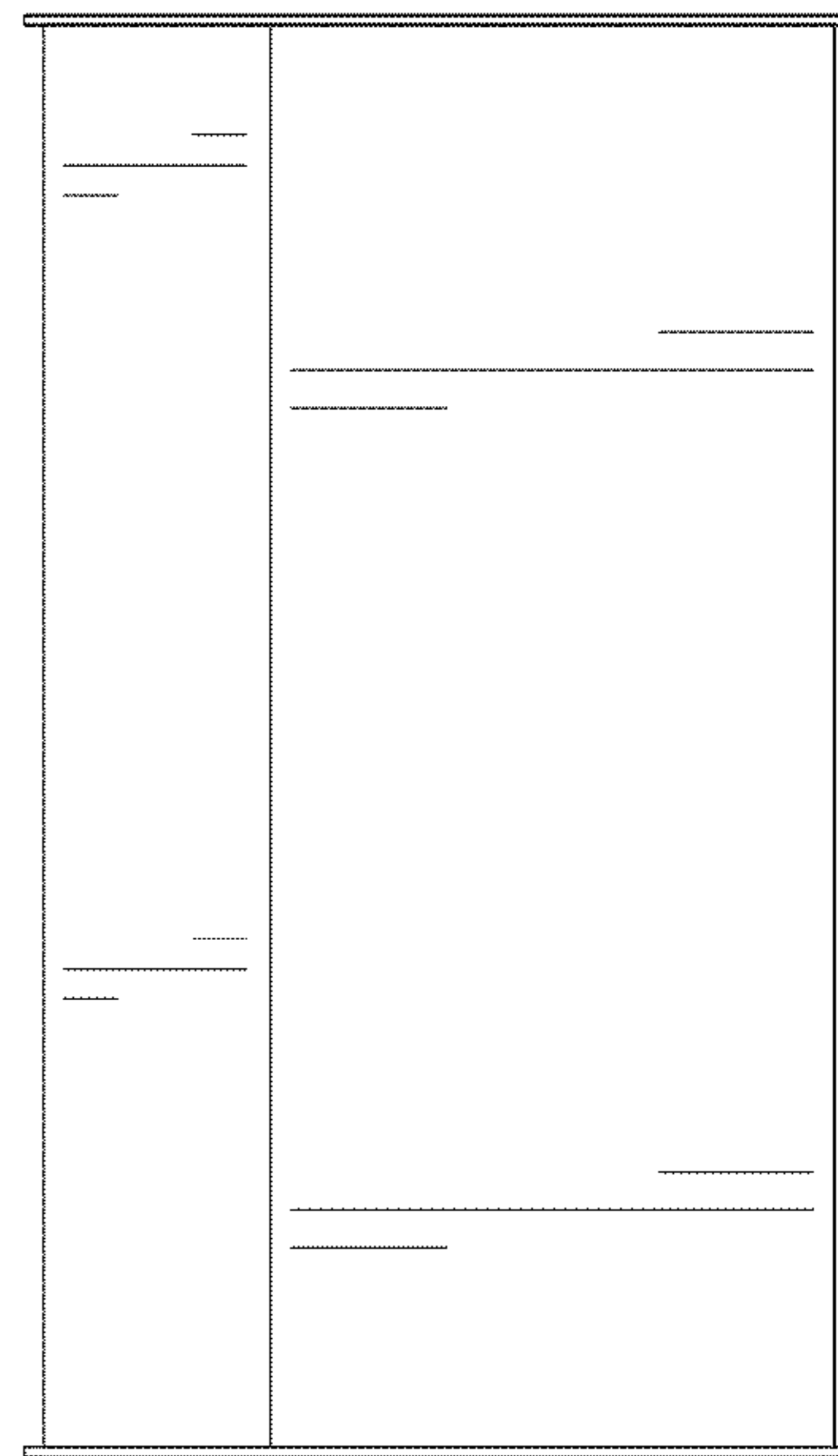


FIG. 4

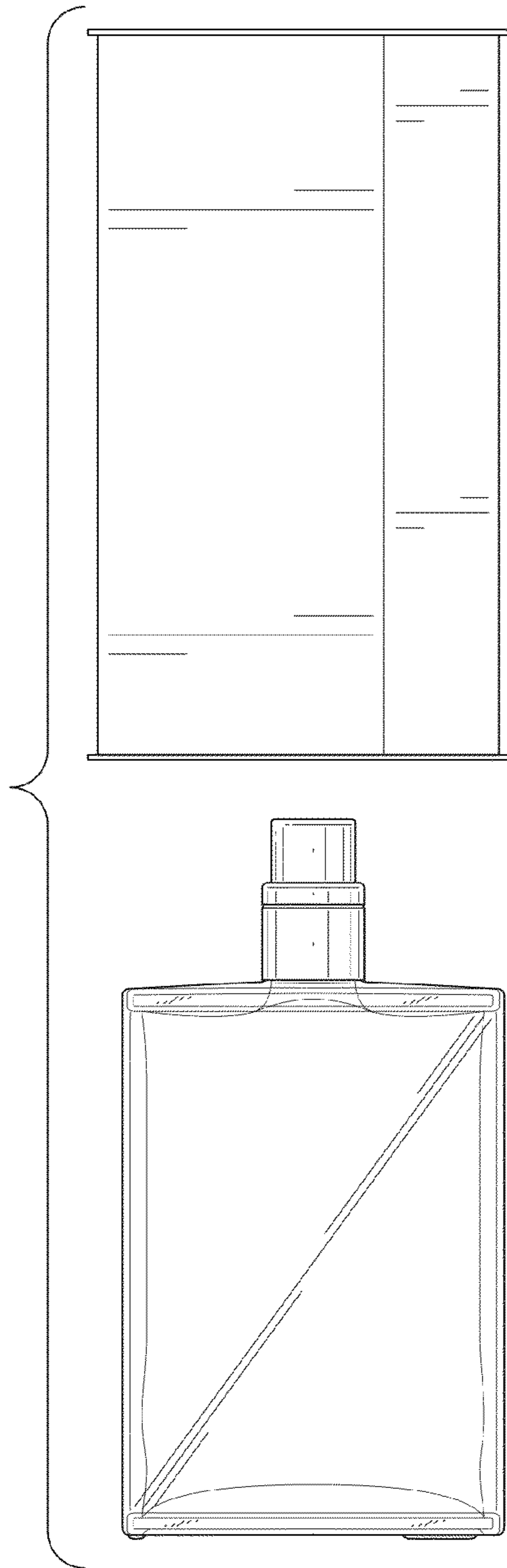


FIG. 5

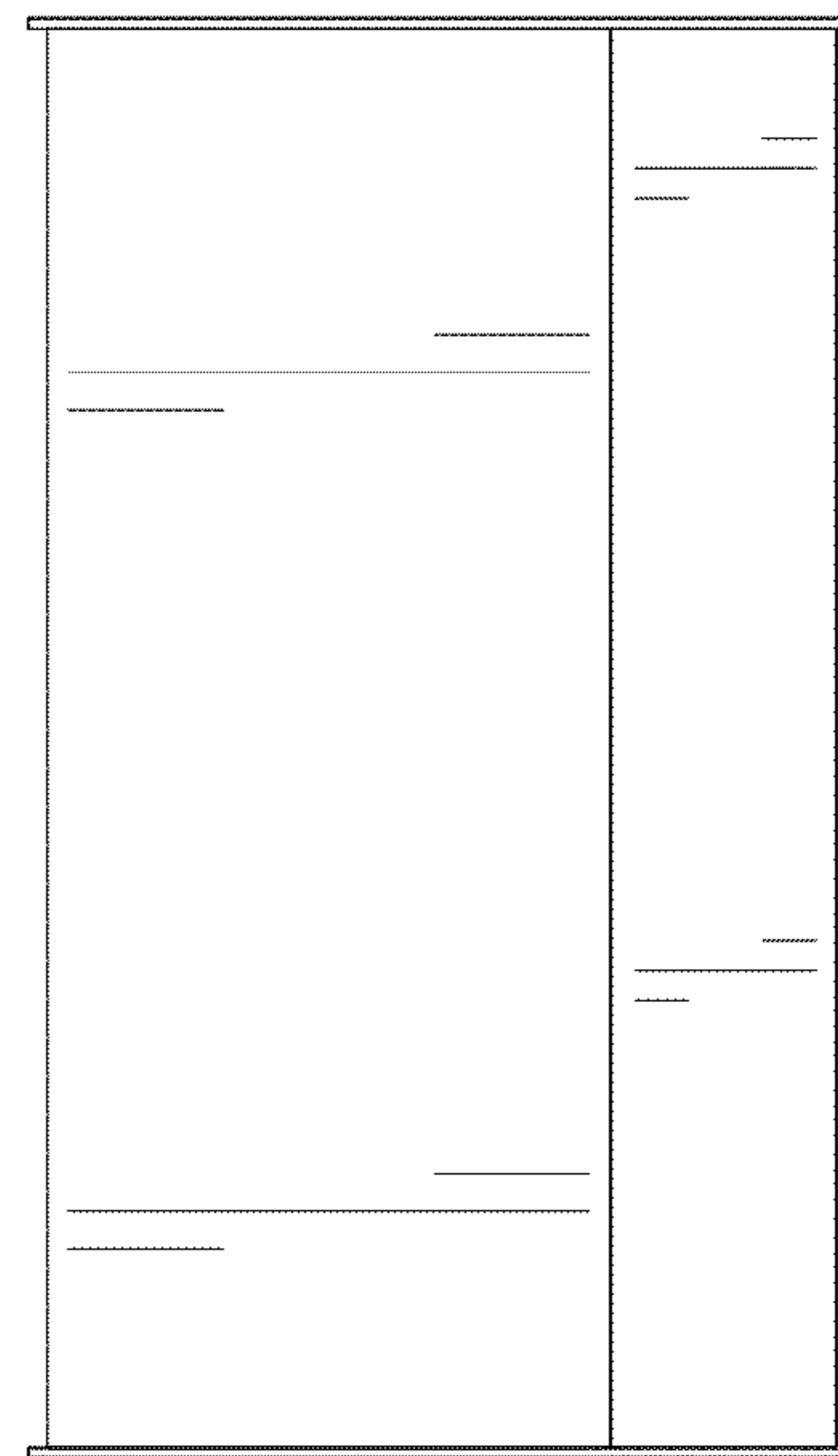


FIG. 6

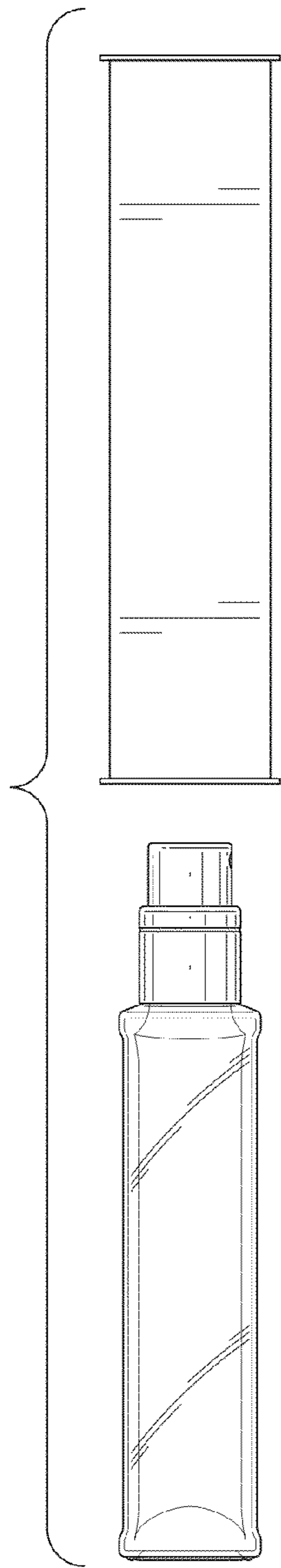


FIG. 7

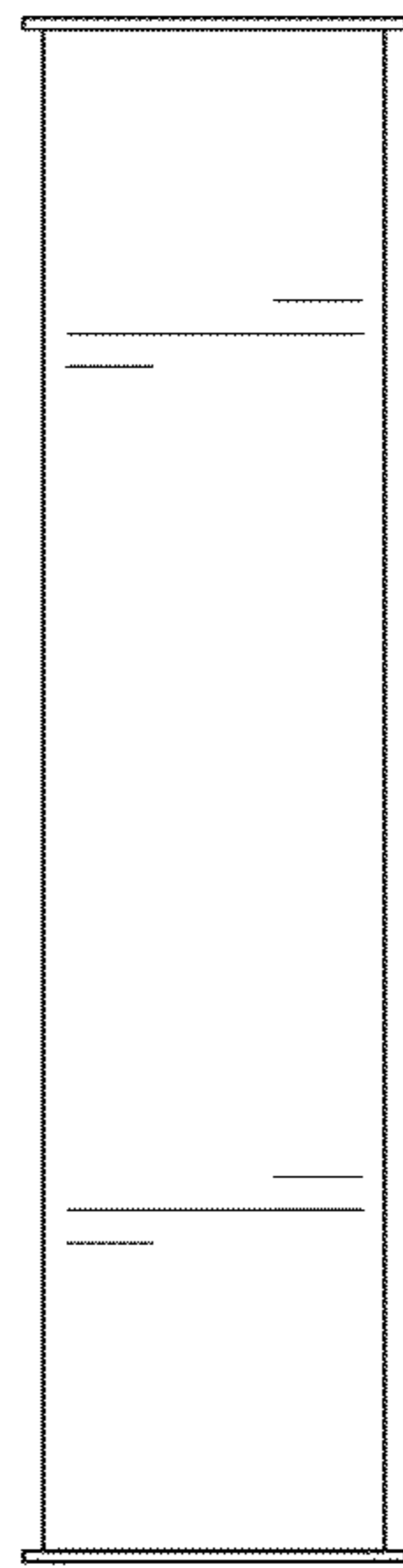


FIG. 8

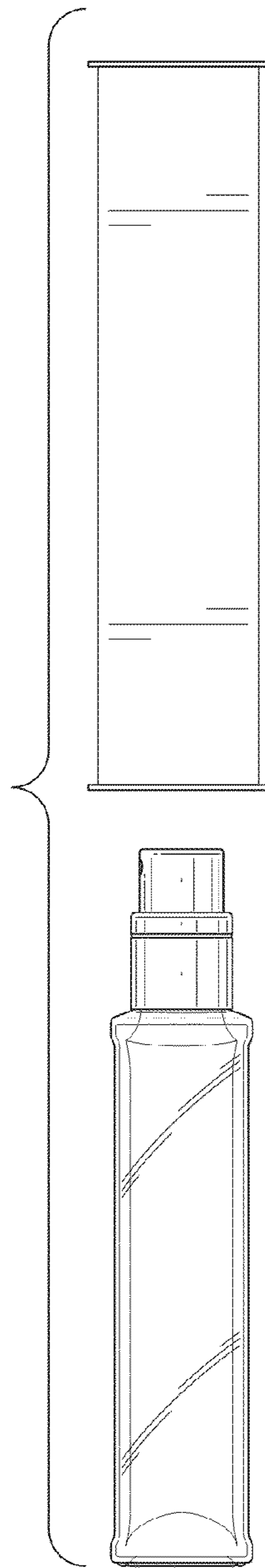


FIG. 9

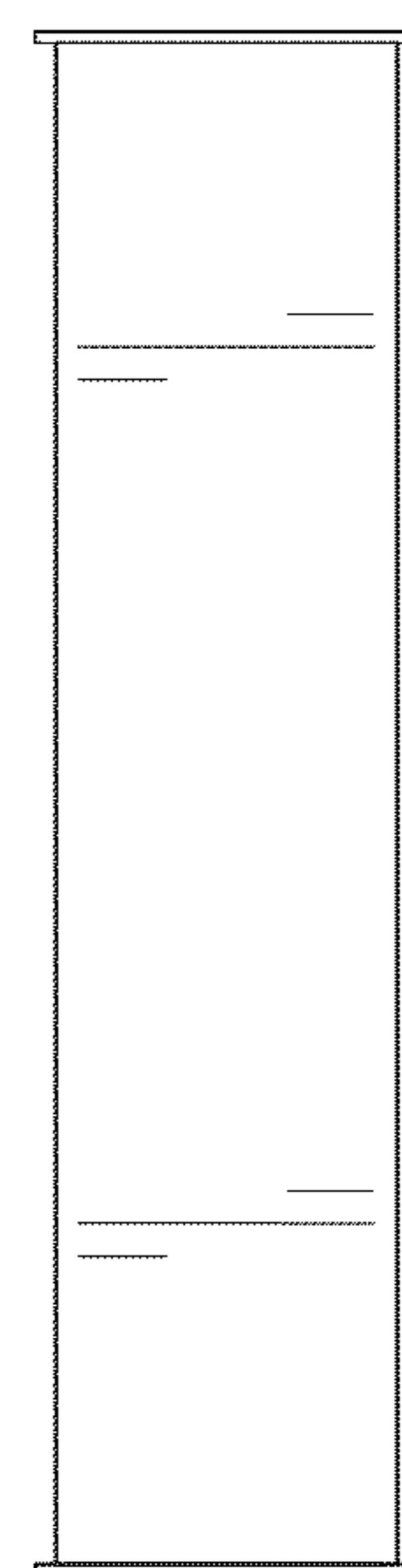


FIG. 10

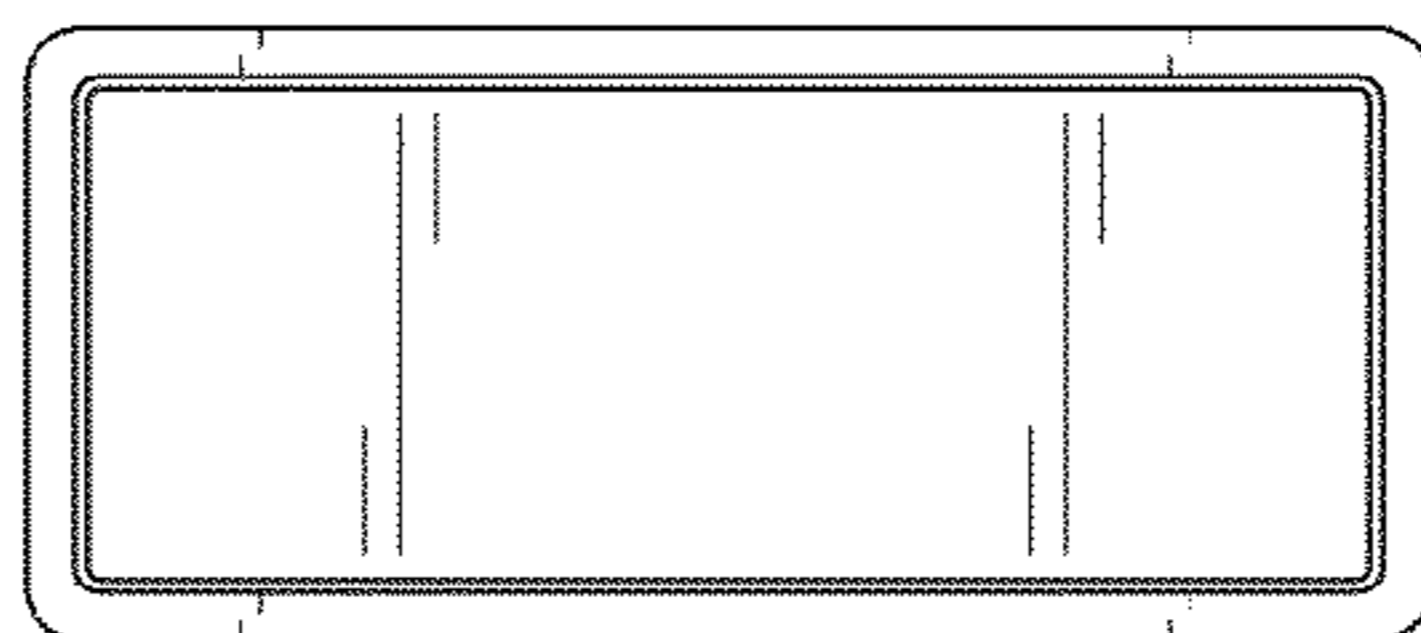


FIG. 11

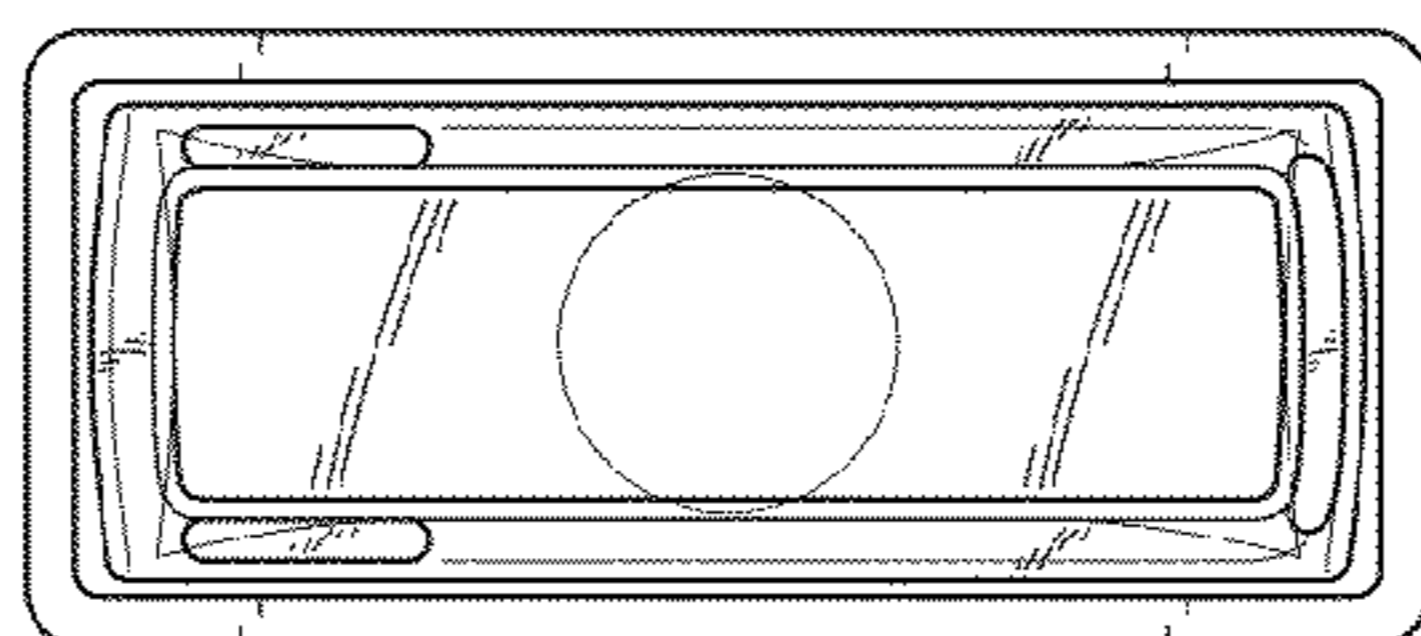


FIG. 12

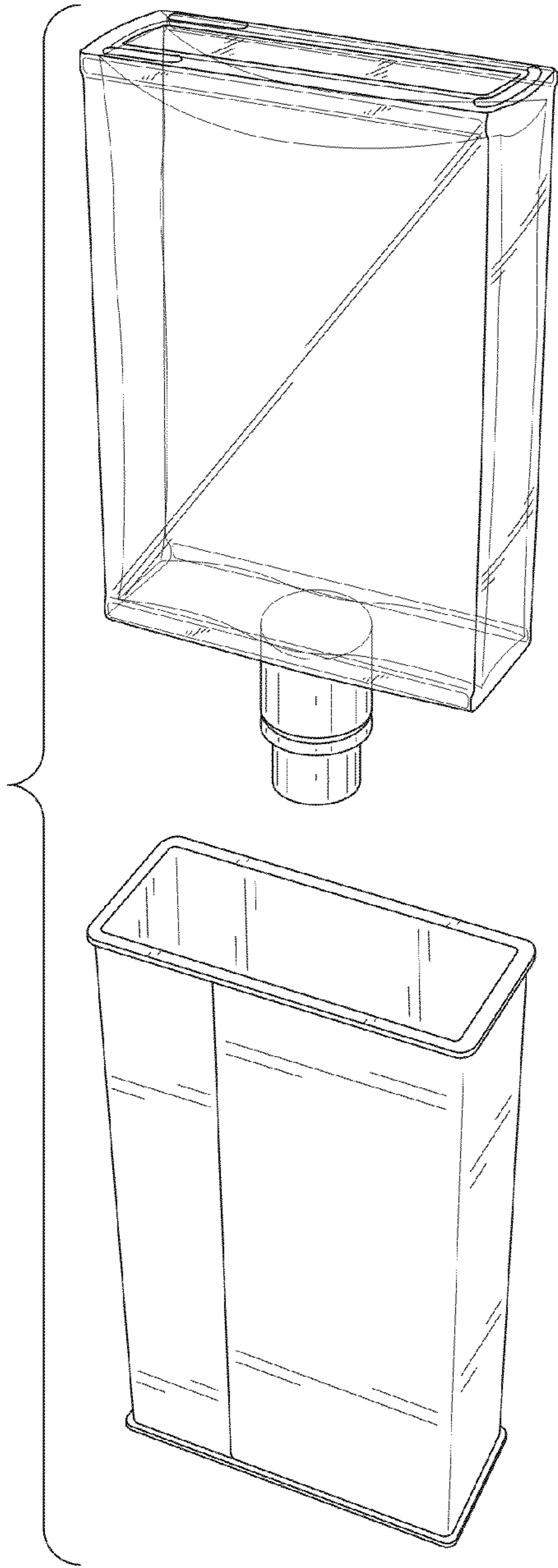


FIG. 13

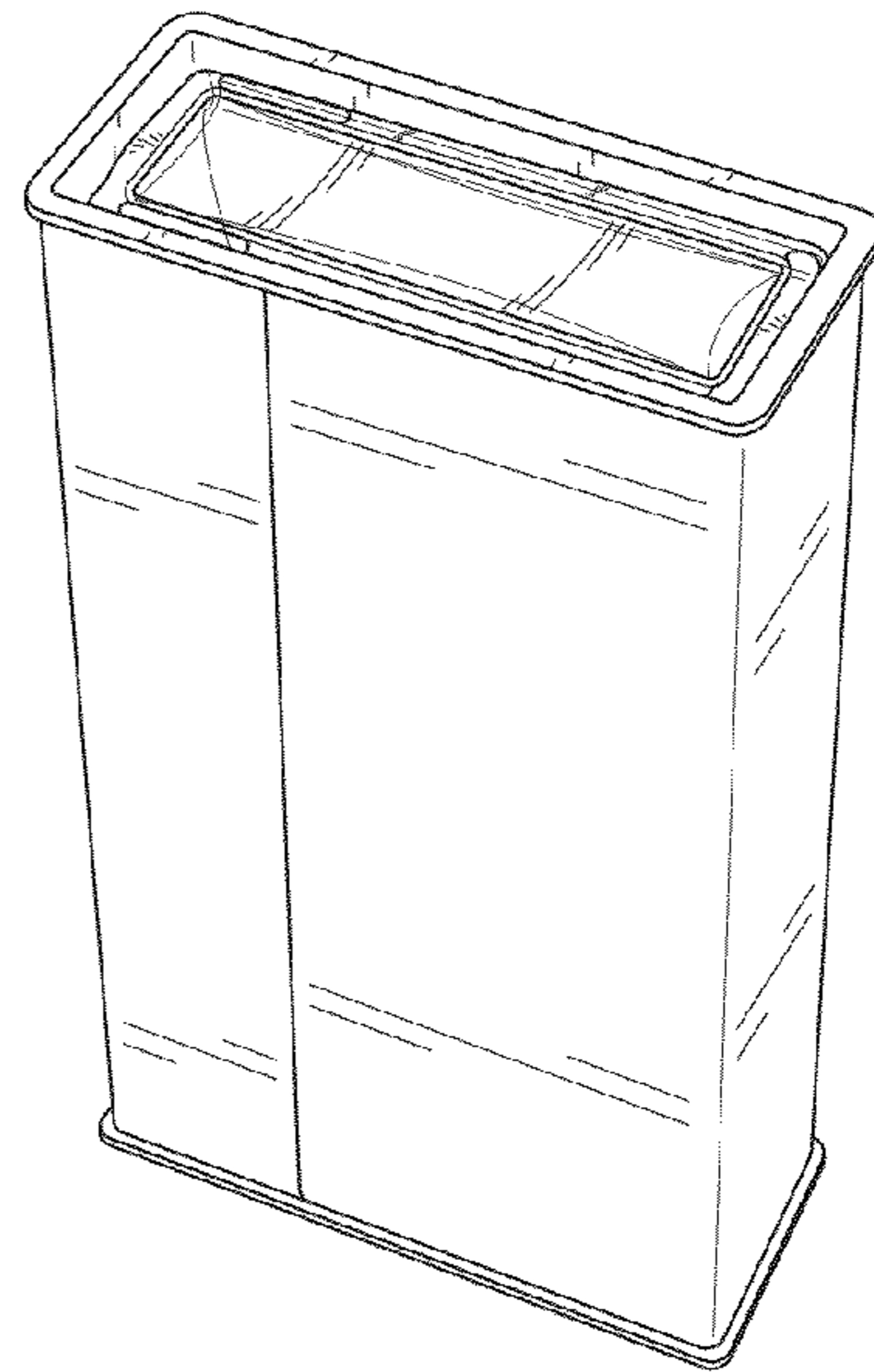


FIG. 14