



US00D736643S

(12) **United States Design Patent**
Mettler et al.

(10) **Patent No.:** **US D736,643 S**

(45) **Date of Patent:** **** Aug. 18, 2015**

(54) **PERSONAL CARE PRODUCT CONTAINER**

(71) Applicant: **Access Business Group International LLC**, Ada, MI (US)

(72) Inventors: **Mark F. Mettler**, Spring Lake, MI (US); **Jay R. Dittmer**, Ada, MI (US); **Joe D. Doucet**, Brooklyn, NY (US)

(73) Assignee: **Access Business Group International LLC**, Ada, MI (US)

(**) Term: **14 Years**

(21) Appl. No.: **29/486,852**

(22) Filed: **Apr. 3, 2014**

(51) **LOC (10) Cl.** **09-01**

(52) **U.S. Cl.**
USPC **D9/574**

(58) **Field of Classification Search**

USPC D3/202, 203.2, 901; D4/116; D7/313, D7/401.1, 510, 619.1; D9/430, 502, 504, D9/519, 520, 522, 523, 526, 529, 530, 558, D9/559, 560, 563, 564, 569, 571, 574, 682, D9/686, 687, 689, 719, 774; D19/93; D21/684; D23/211.1-211.2, 366; D24/121, 124, 197, 224; D28/4, 7, 20, D28/66, 76, 82, 83, 85, 88, 89, 91.1; D26/9; D32/29.1; 215/62.22, 220, 329, 215/382-385, 396, 398; 206/58.1; 229/5.5; 239/57
CPC A45D 33/003; A45D 33/22; A45D 34/00; A45D 40/30; A61J 1/03; A61J 1/05; A47G 19/22; A47G 19/2205; A47G 19/2266; B65D 1/02; B65D 1/0223; B65D 1/08; B65D 1/10

See application file for complete search history.

(56) **References Cited**

U.S. PATENT DOCUMENTS

D96,279	S	*	7/1935	Roerich	D9/774
3,048,316	A	*	8/1962	Roos et al.	229/5.5
D321,476	S	*	11/1991	Alcover	D32/29.1
D321,566	S	*	11/1991	Hoelterscheidt	D26/9
6,923,347	B2	*	8/2005	Winckels	222/206
D569,891	S	*	5/2008	Dittmer et al.	D16/235
D582,283	S	*	12/2008	O'Donahue	D9/529
D596,036	S	*	7/2009	Yamamoto	D9/529
D640,925	S	*	7/2011	Rodriguez et al.	D9/529
D691,888	S	*	10/2013	Mettler et al.	D9/504
D710,205	S	*	8/2014	Moretti	D9/529
D721,270	S	*	1/2015	Dittmer et al.	D9/430

* cited by examiner

Primary Examiner — Thomas Johannes

Assistant Examiner — Catherine Posthauer

(74) *Attorney, Agent, or Firm* — Warner Norcross & Judd LLP

(57) **CLAIM**

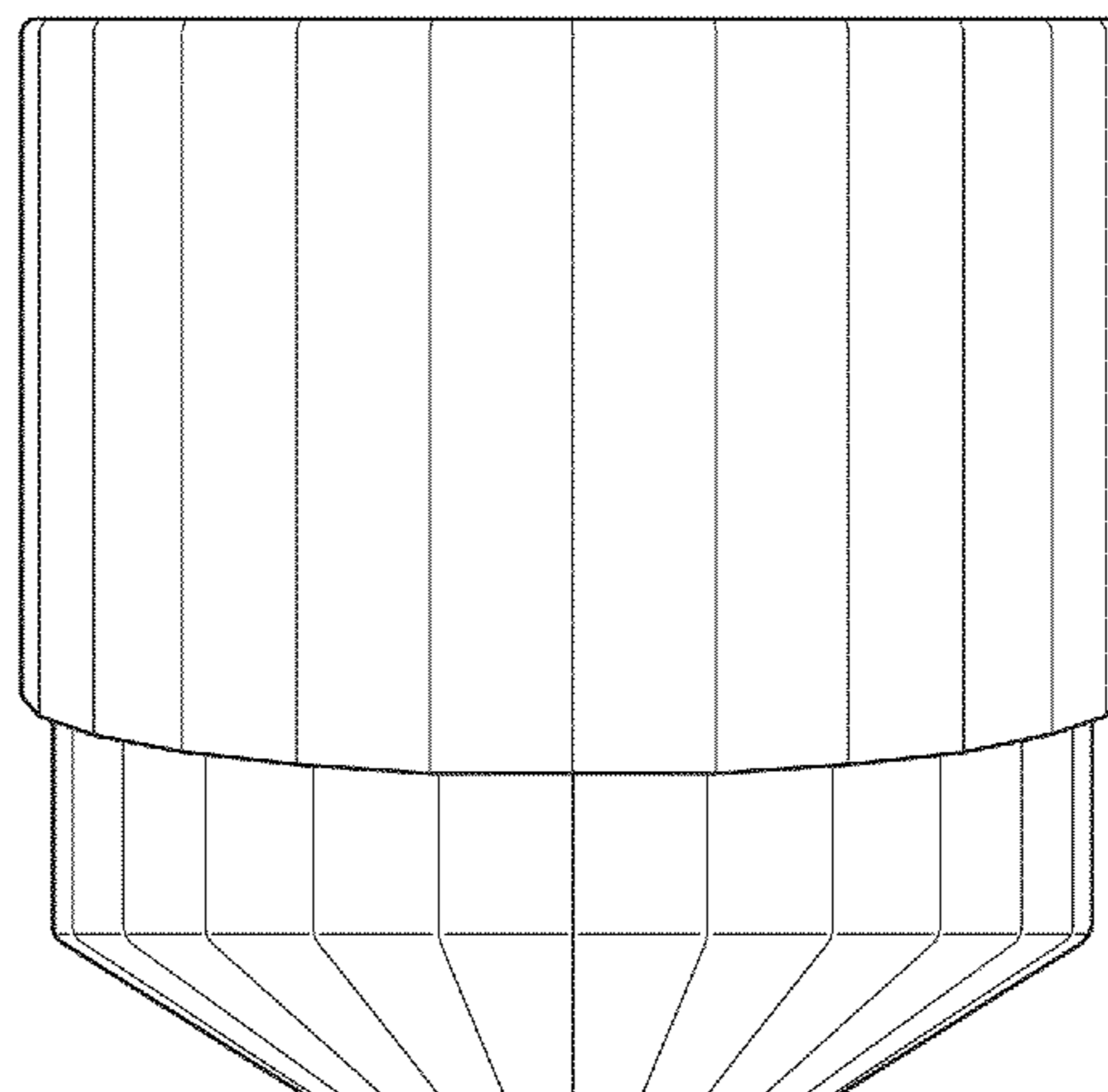
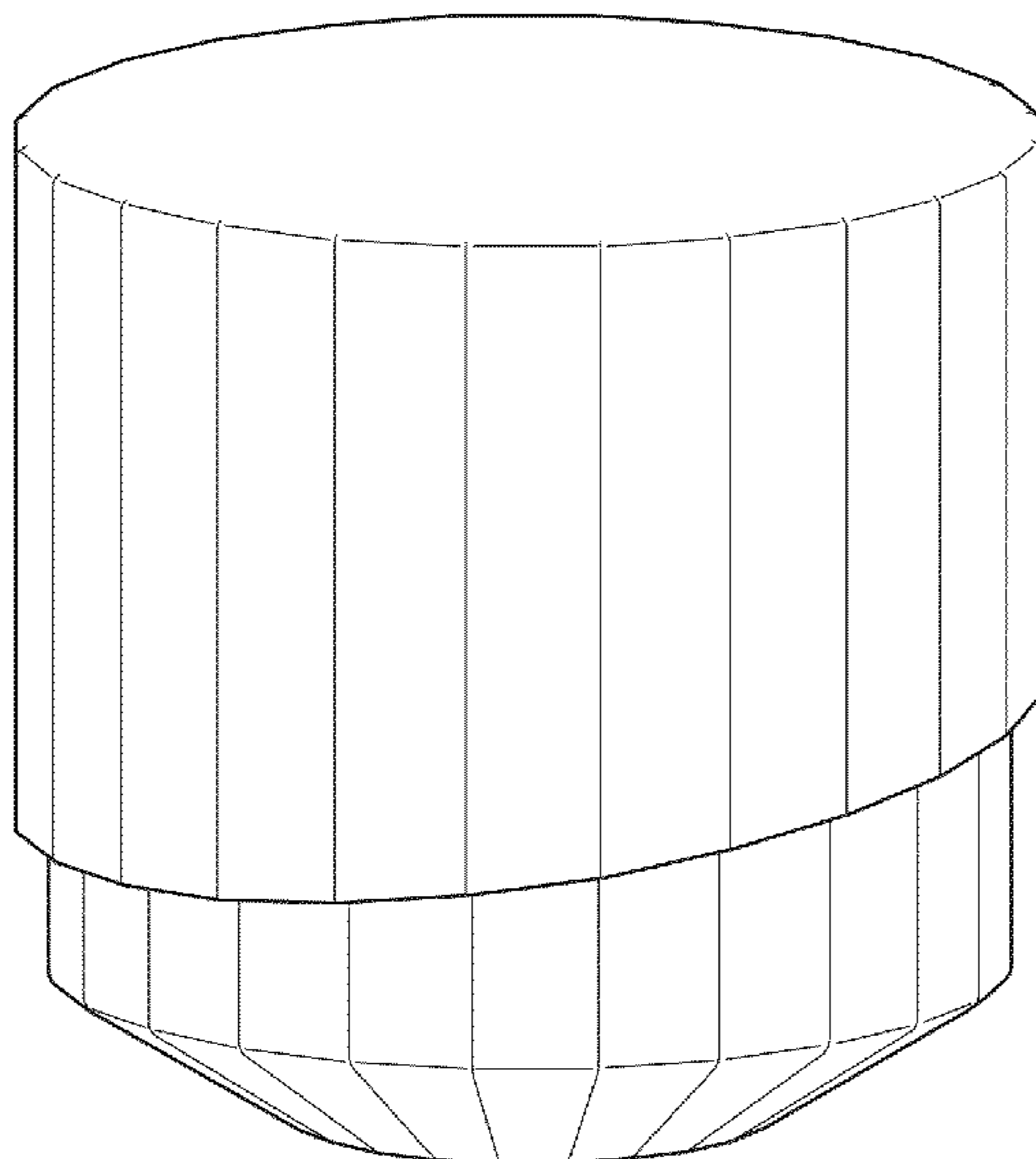
We claim a personal care product container, as shown and described.

DESCRIPTION

FIG. 1 is an enlarged perspective view of a personal care product container showing our new design; FIG. 2 is a left side view thereof; FIG. 3 is a right side view thereof; FIG. 4 is a front view thereof; FIG. 5 is a rear view thereof; FIG. 6 is a top view thereof; and, FIG. 7 is a bottom view thereof.

The broken lines are shown for the purpose of illustrating unclaimed portions of the personal care product container and form no part of the claimed design.

1 Claim, 4 Drawing Sheets



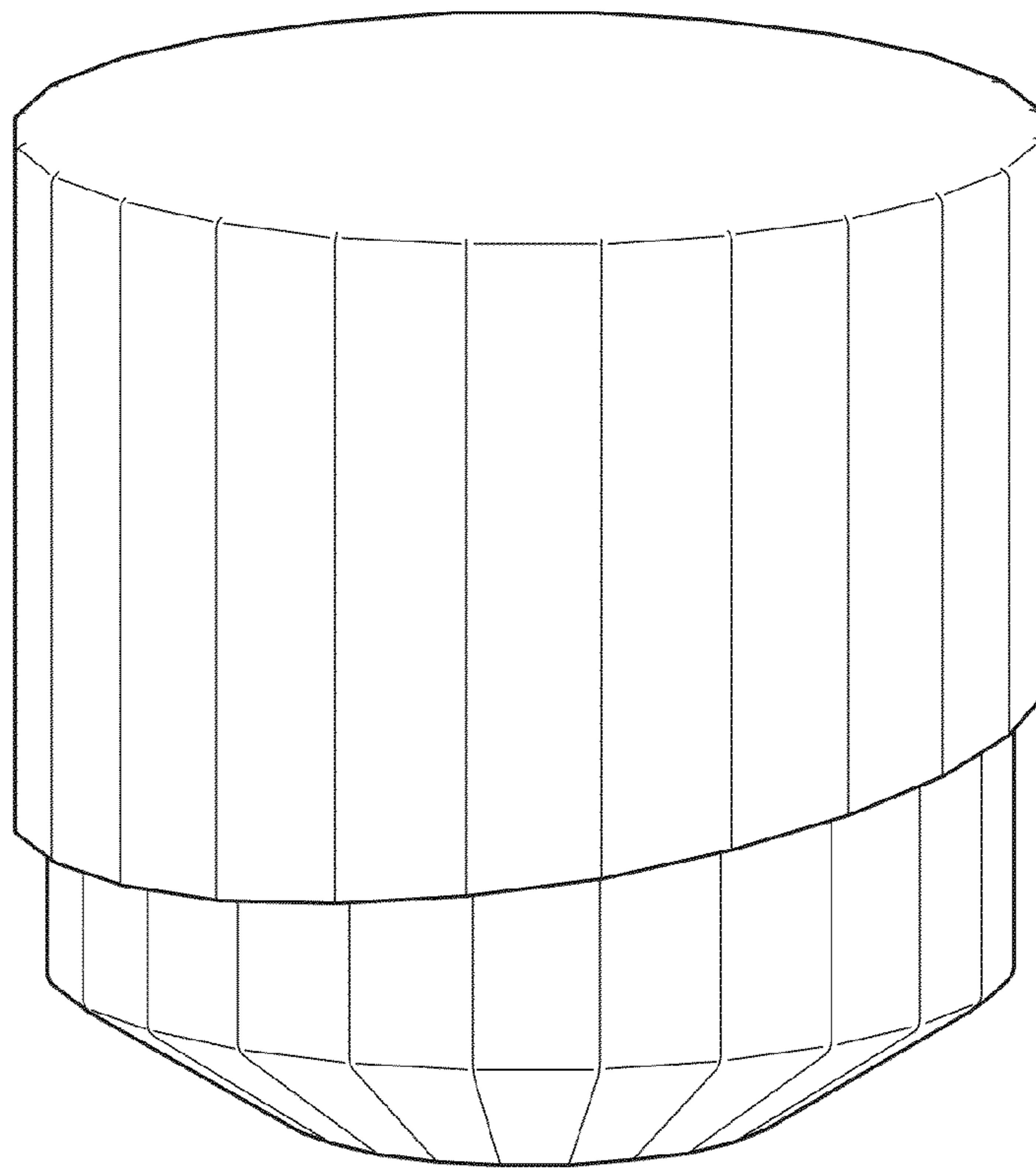


Fig. 1

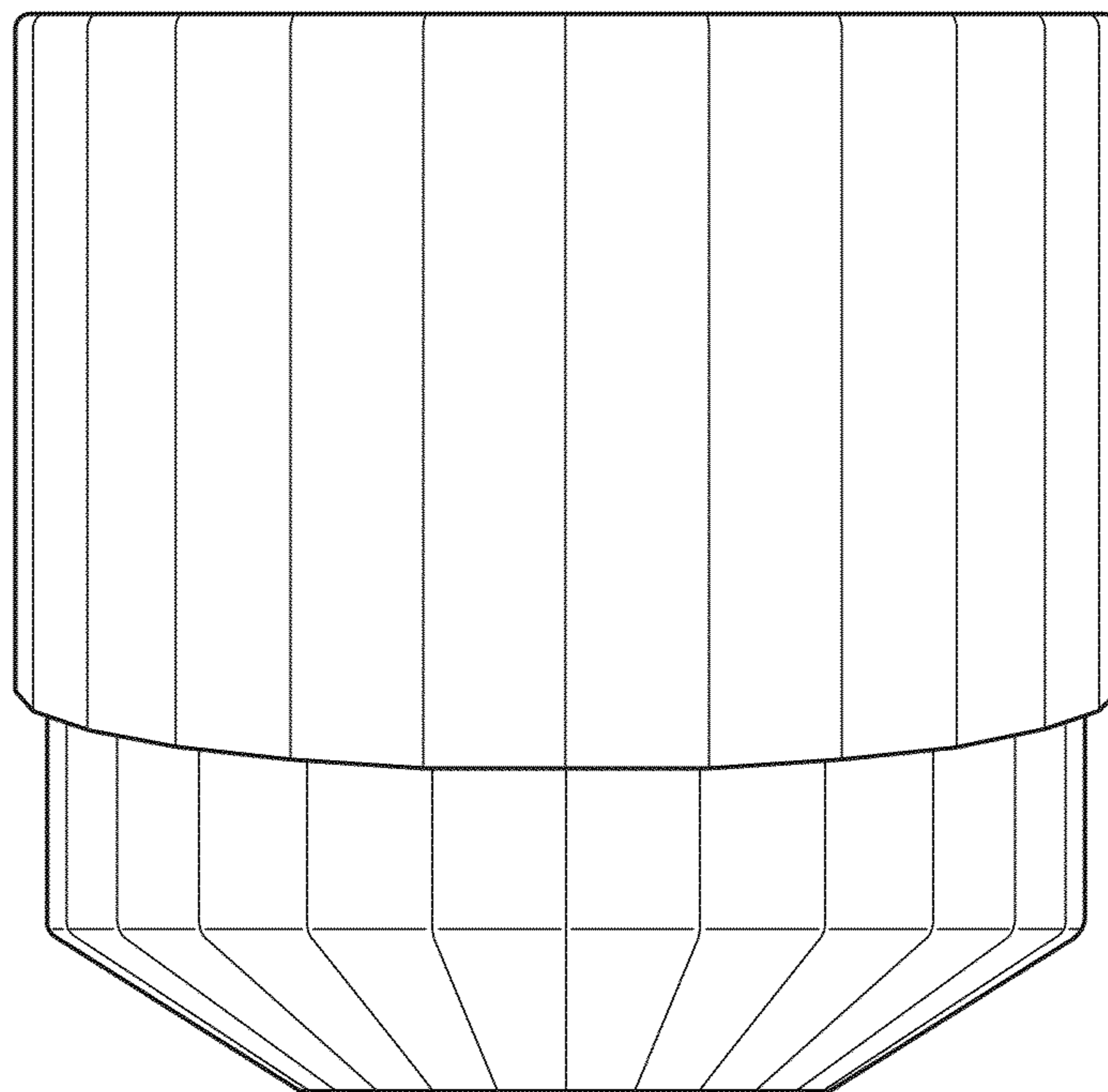


Fig. 2

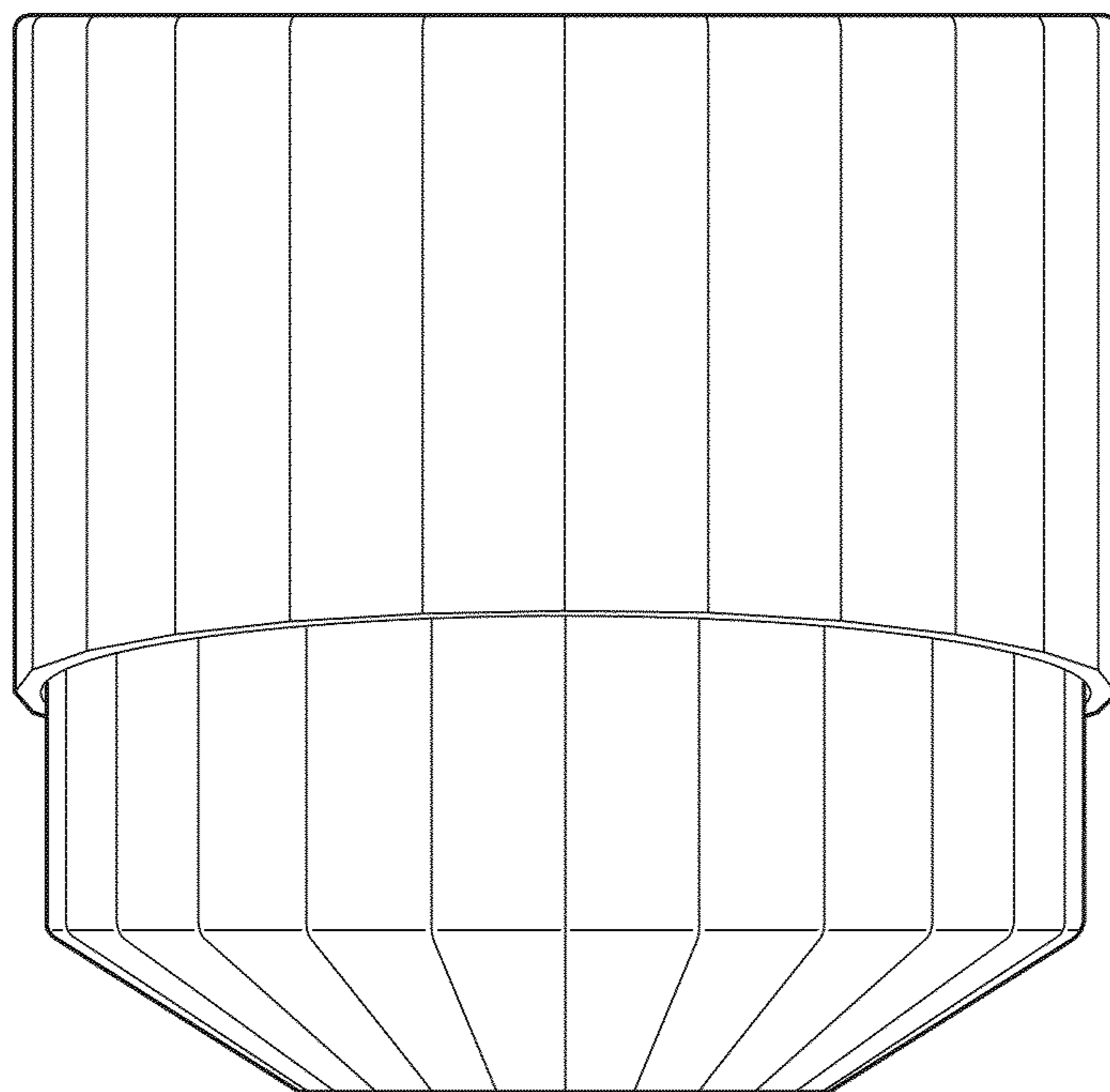


Fig. 3

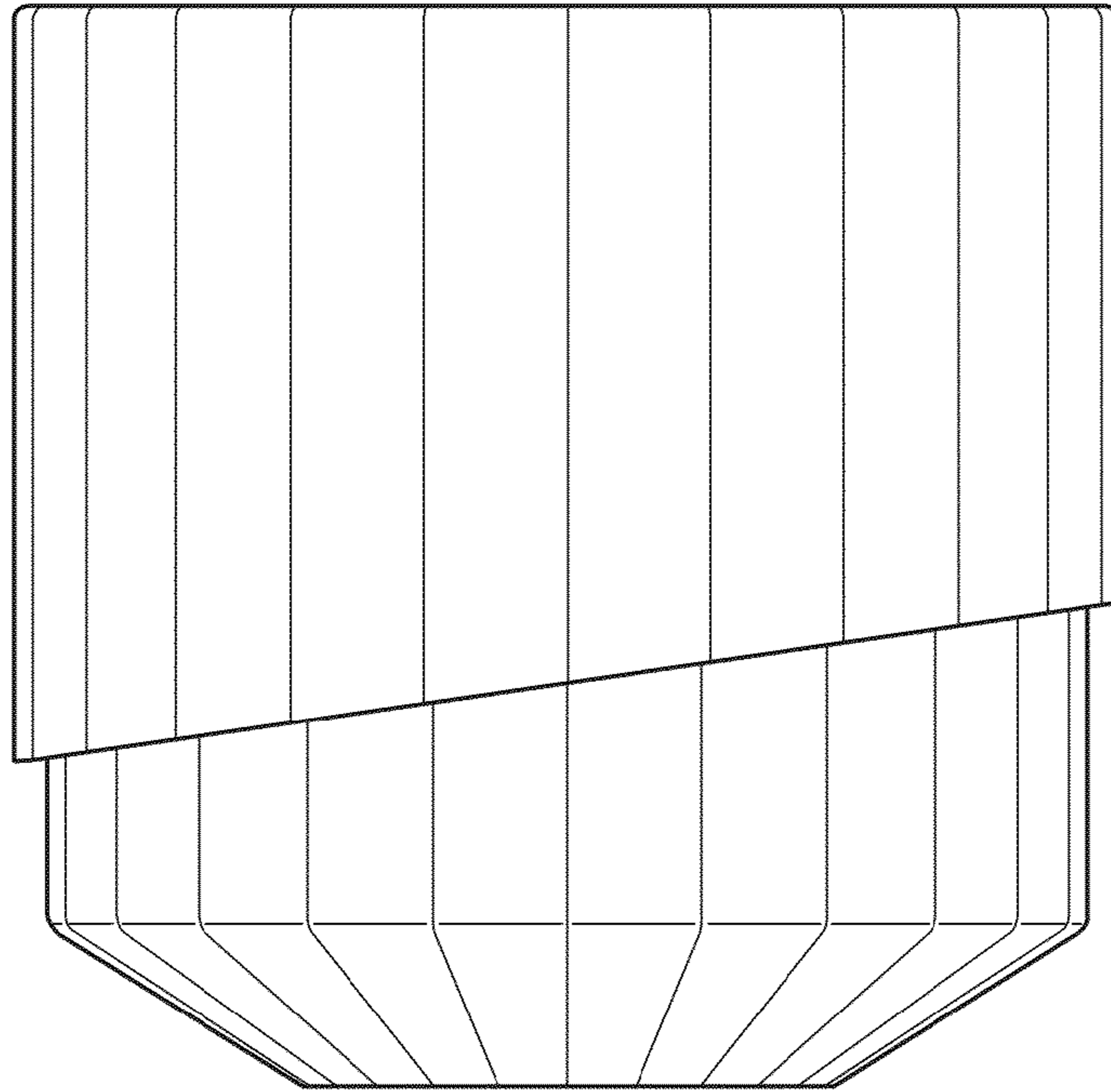


Fig. 4

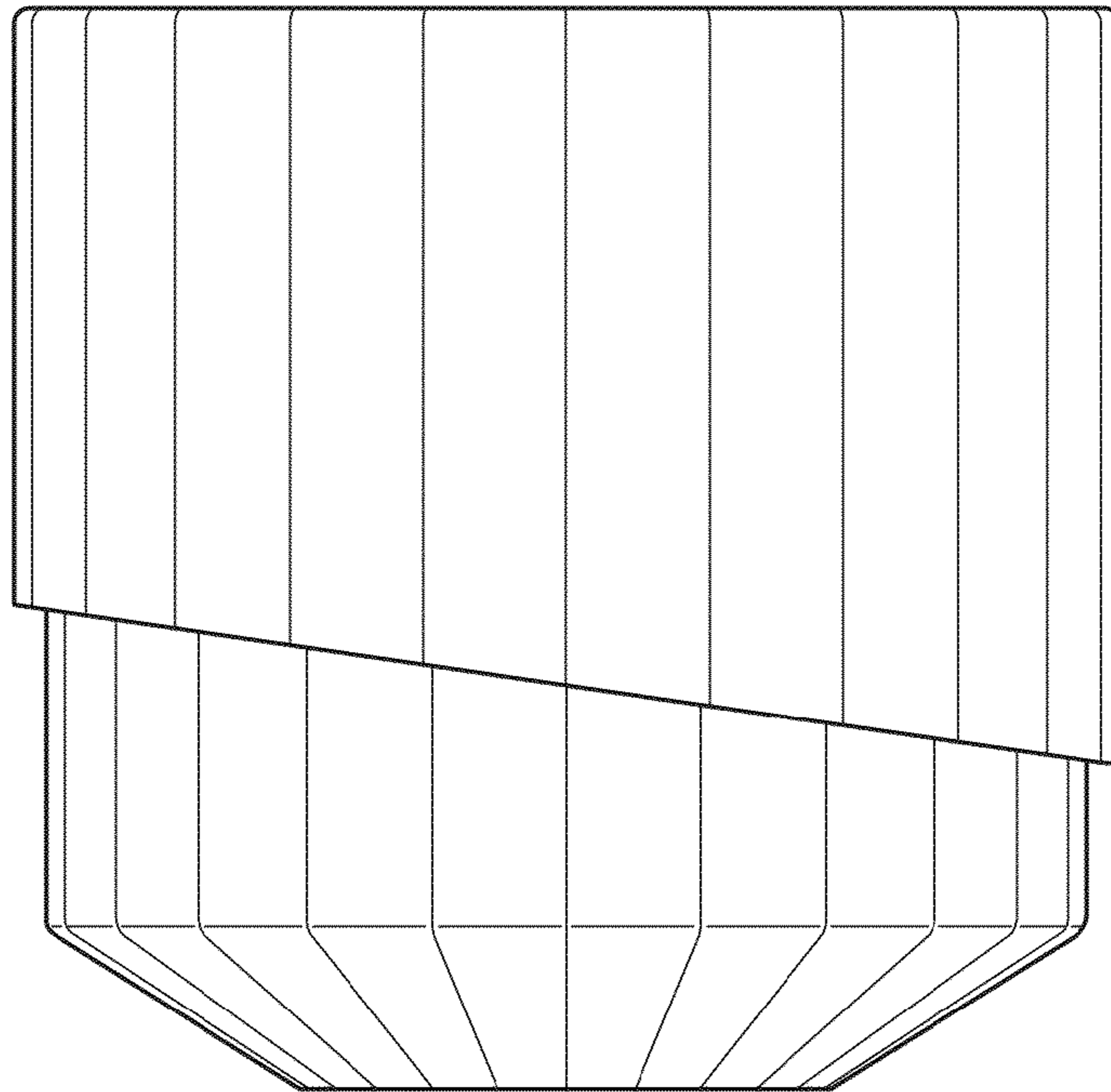


Fig. 5

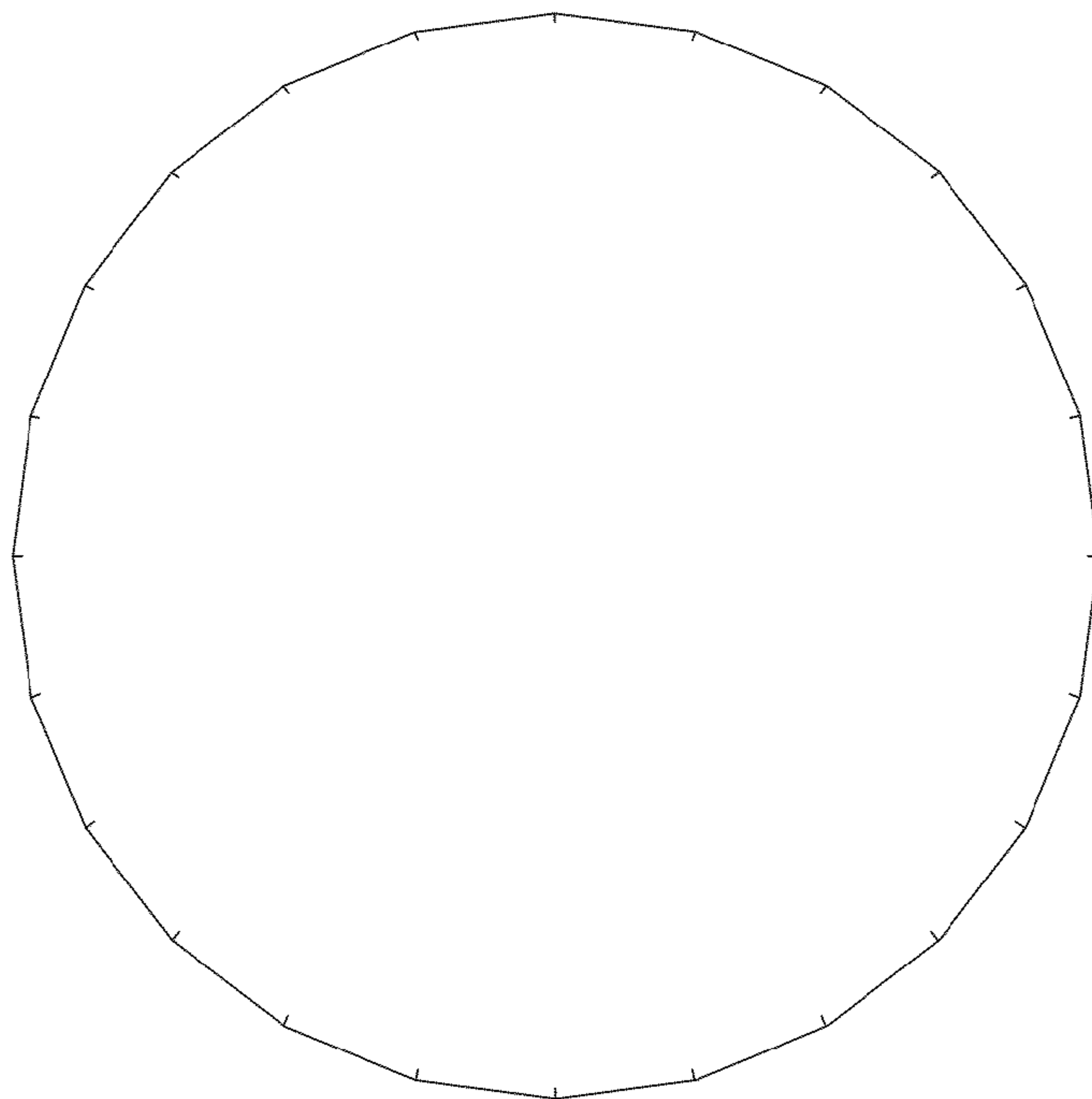


Fig. 6

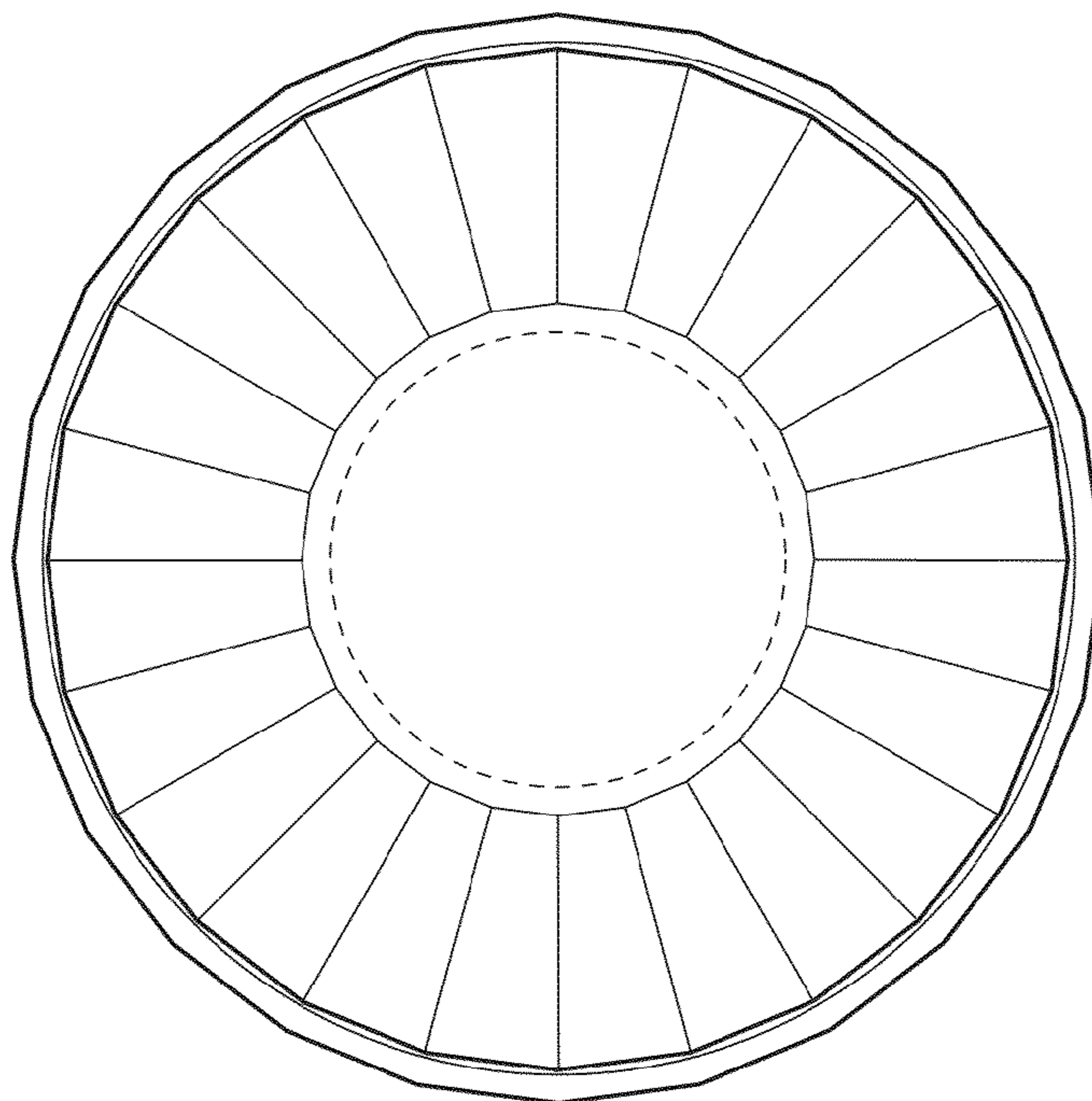


Fig. 7