



US00D736631S

(12) **United States Design Patent**  
**Dube et al.**

(10) **Patent No.:** **US D736,631 S**  
(45) **Date of Patent:** **\*\* Aug. 18, 2015**

(54) **BOTTLE**

(71) Applicant: **Tampico Beverages, Inc.**, Chicago, IL (US)

(72) Inventors: **Andre Dube**, Chicago, IL (US); **Marta Gerdes**, Chicago, IL (US); **Adam Ryan**, Chicago, IL (US); **Jim Warner**, Chicago, IL (US); **Jihoon Kim**, Chicago, IL (US); **Bryan Shova**, Chicago, IL (US); **Jennifer Bae**, Chicago, IL (US)

(73) Assignee: **Tampico Beverages, Inc.**, Chicago, IL (US)

(\*\*) Term: **14 Years**

(21) Appl. No.: **29/469,098**

(22) Filed: **Oct. 7, 2013**

(51) **LOC (10) Cl.** ..... **09-01**

(52) **U.S. Cl.**  
USPC ..... **D9/502**

(58) **Field of Classification Search**  
USPC ..... D9/500, 502-505, 516, 520, 530, D9/537-545, 548-550, 557-558, 562, 715, D9/719; D24/197; 215/11.1, 40, 42, 379, 215/381-384; 220/660, 669-670, 672, 675  
CPC ..... B65D 1/00; B65D 1/02; B65D 1/0223; B65D 23/00; B65D 83/00; B65D 91/00; B65D 91/02; B65D 2501/00; B65D 2501/0009  
See application file for complete search history.

(56) **References Cited**

U.S. PATENT DOCUMENTS

D113,430 S \* 2/1939 Musselman ..... D9/502  
D152,959 S \* 3/1949 Graf ..... D9/502  
D194,811 S \* 3/1963 Worthington ..... D9/502  
D195,103 S \* 4/1963 Houghton ..... D9/502

D212,320 S \* 10/1968 Hills ..... D9/502  
D212,321 S \* 10/1968 Hills ..... D9/502  
D250,933 S \* 1/1979 Saunders ..... D9/764  
D260,239 S \* 8/1981 Barrash ..... D9/549  
D279,354 S \* 6/1985 Marcus ..... D9/502  
D297,308 S \* 8/1988 Lyons ..... D9/502  
D313,931 S \* 1/1991 Malvoisin ..... D9/502  
D314,136 S \* 1/1991 Malvoisin ..... D9/502  
D314,137 S \* 1/1991 Malvoisin ..... D9/502  
D314,138 S \* 1/1991 Malvoisin ..... D9/502  
D379,150 S \* 5/1997 Richardson ..... D9/500  
D379,152 S \* 5/1997 Richardson ..... D9/537  
D379,153 S \* 5/1997 Richardson ..... D9/537  
D399,424 S \* 10/1998 Young ..... D9/500  
D411,457 S \* 6/1999 Ruda et al. .... D9/538  
D432,020 S \* 10/2000 Steward et al. .... D9/540  
D637,908 S \* 5/2011 Fleischhacker et al. .... D9/502  
D637,909 S \* 5/2011 Fleischhacker et al. .... D9/502

\* cited by examiner

*Primary Examiner* — Ian Simmons

*Assistant Examiner* — Dana L Meyrow

(74) *Attorney, Agent, or Firm* — DLA Piper LLP (US); R. Blake Johnston

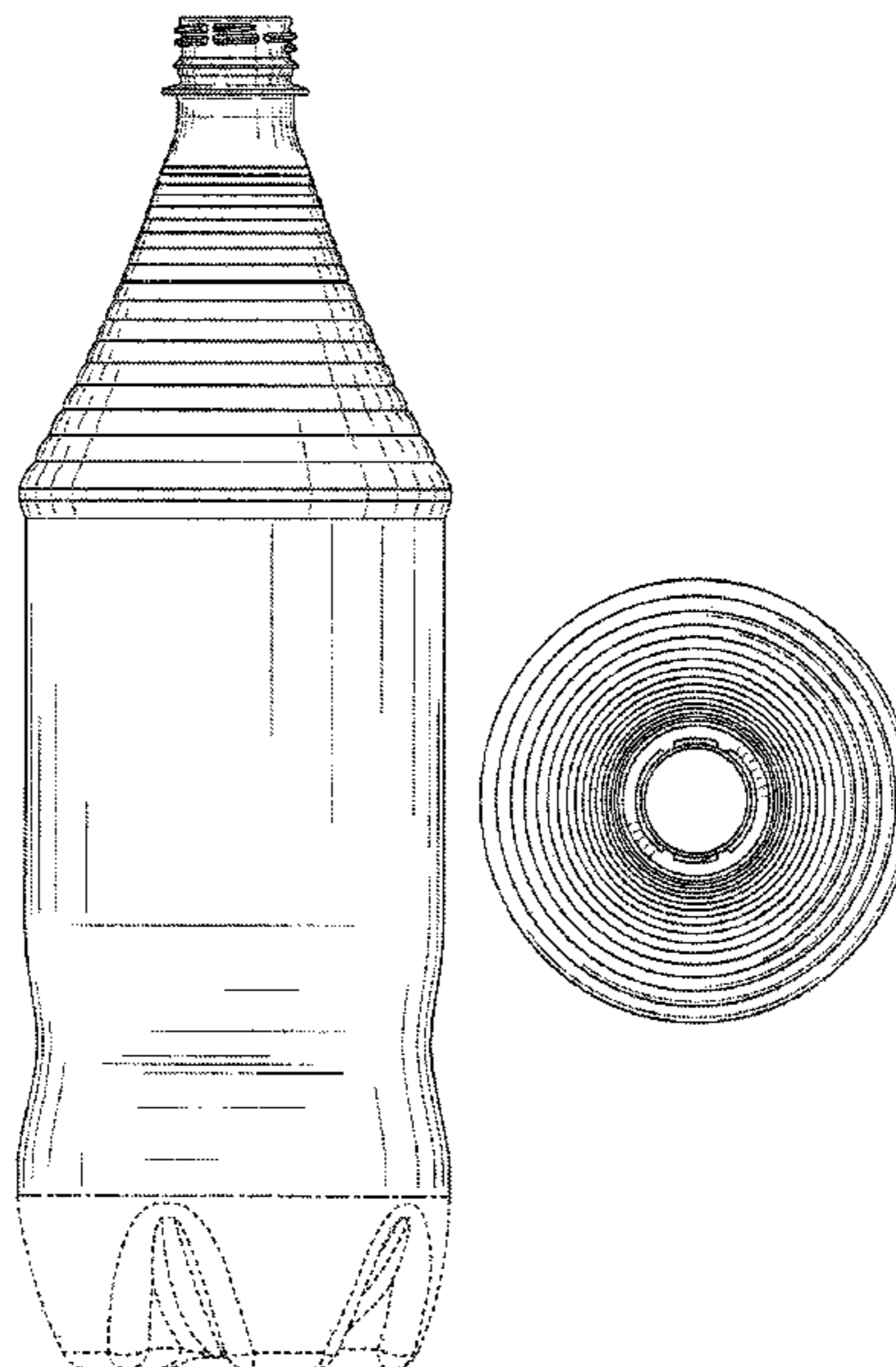
(57) **CLAIM**

The ornamental design for a bottle, as shown and described.

**DESCRIPTION**

FIG. 1 is a perspective view of the bottle;  
FIG. 2 is a front elevational view of the bottle;  
FIG. 3 is a rear elevational view of the bottle;  
FIG. 4 is a right side elevational view of the bottle;  
FIG. 5 is a left side elevational view of the bottle;  
FIG. 6 is a top plan view of the bottle; and,  
FIG. 7 is a bottom plan view of the bottle.  
The broken lines shown are included for the purpose of illustrating the unclaimed portions of the article and form no part of the claimed design.

**1 Claim, 4 Drawing Sheets**



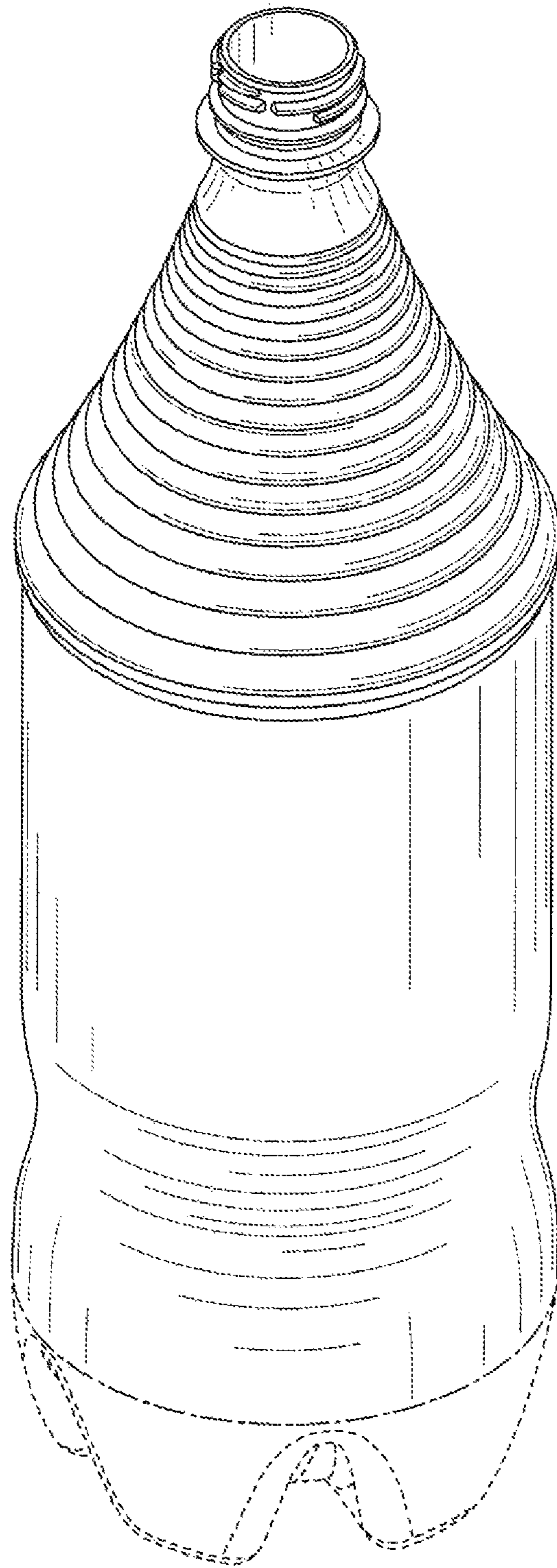


FIG. 1

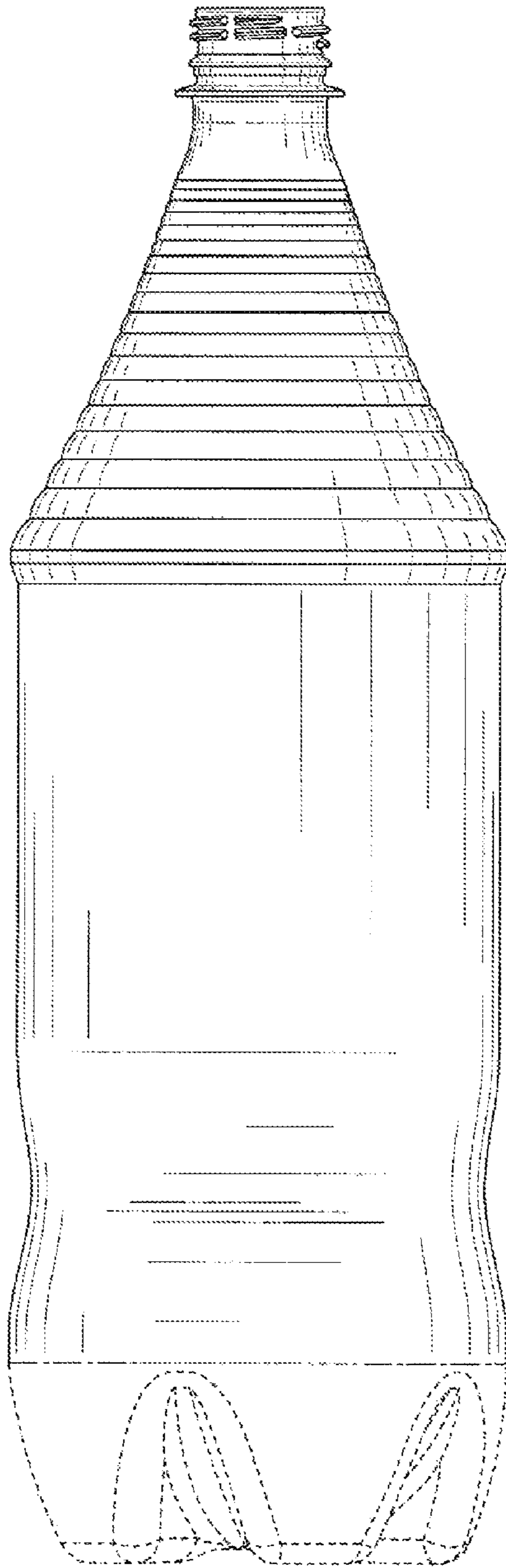


FIG. 2

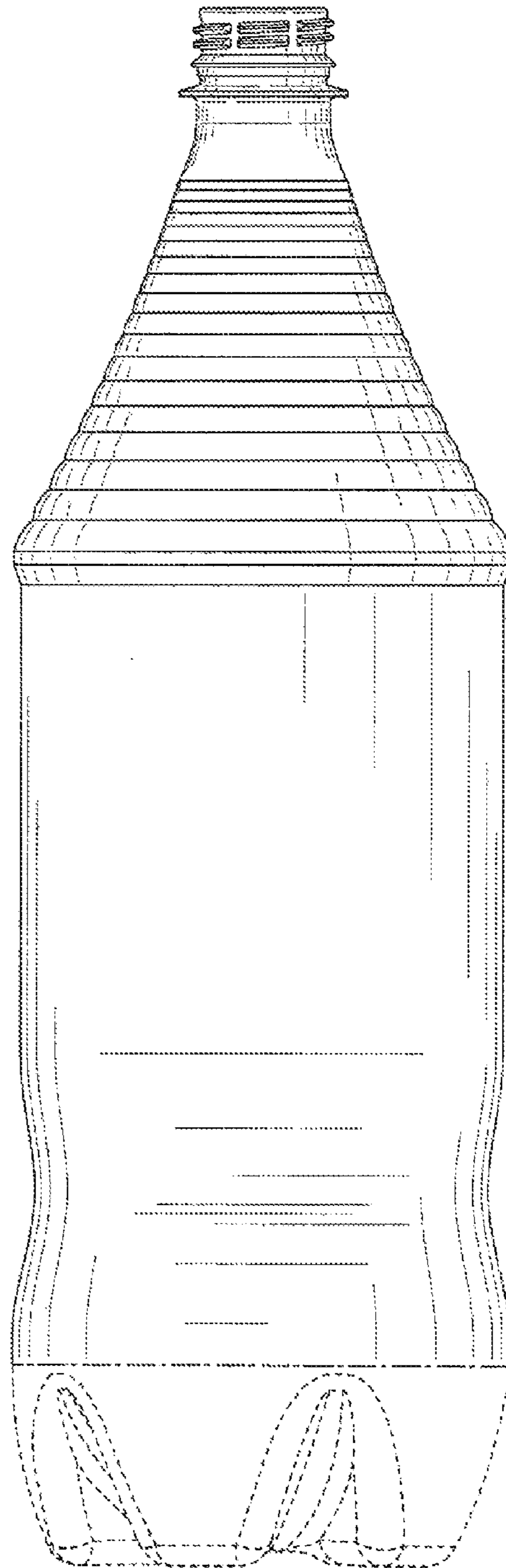


FIG. 3



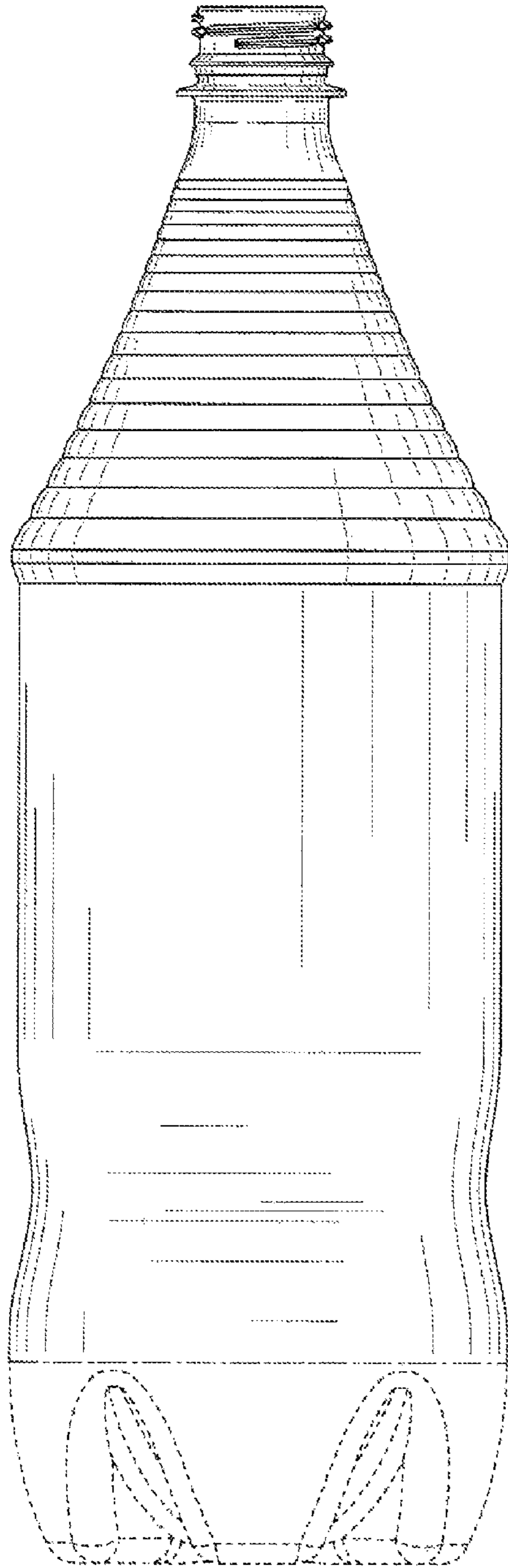


FIG. 4

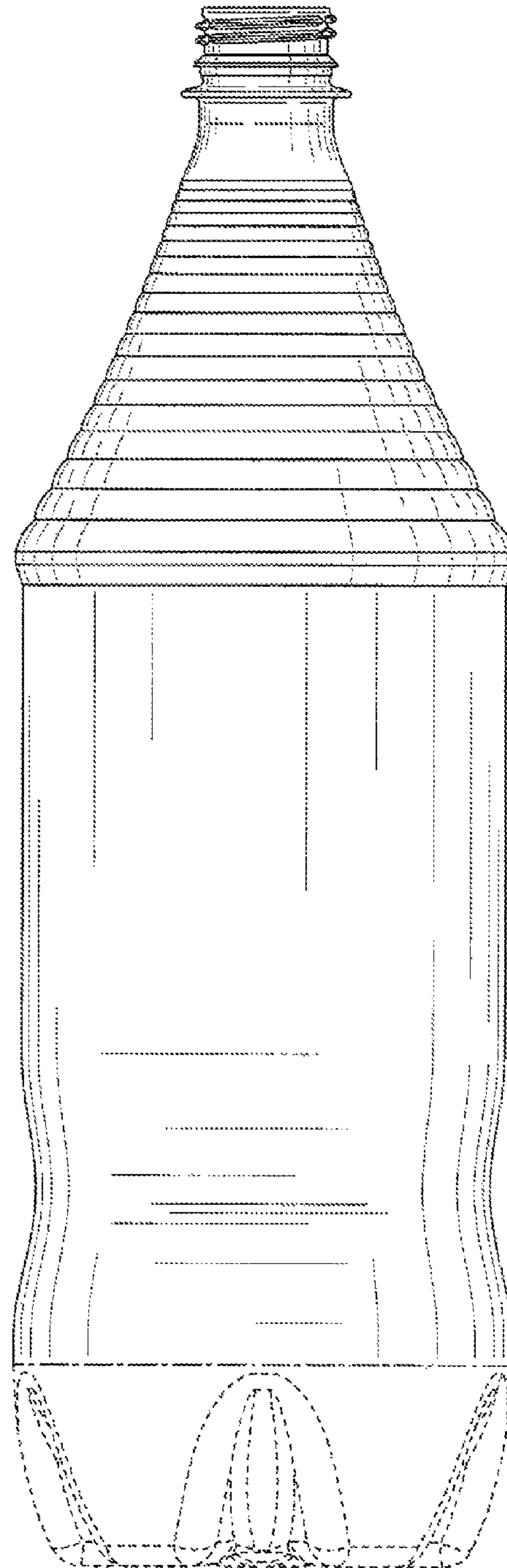


FIG. 5

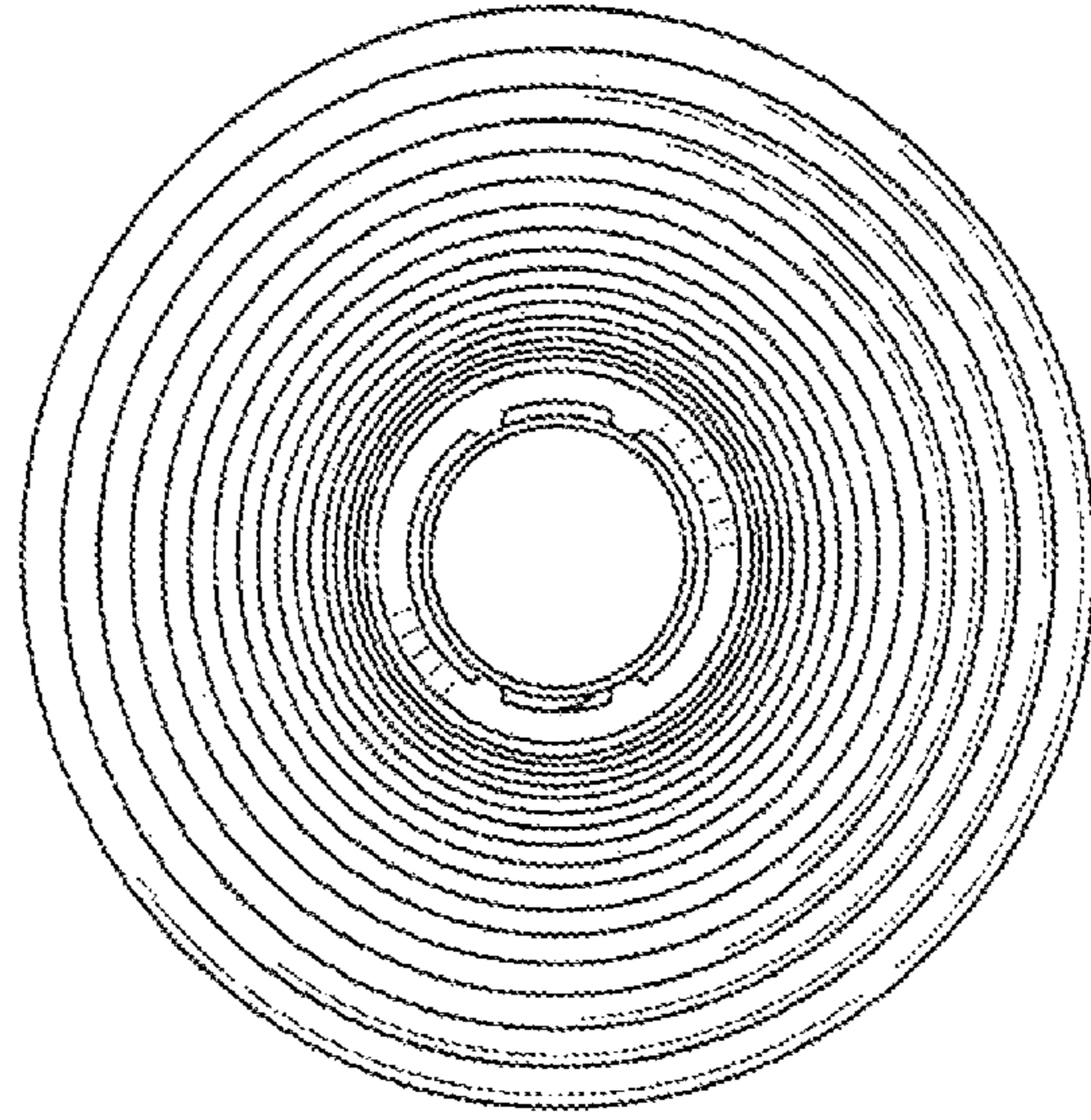


FIG. 6

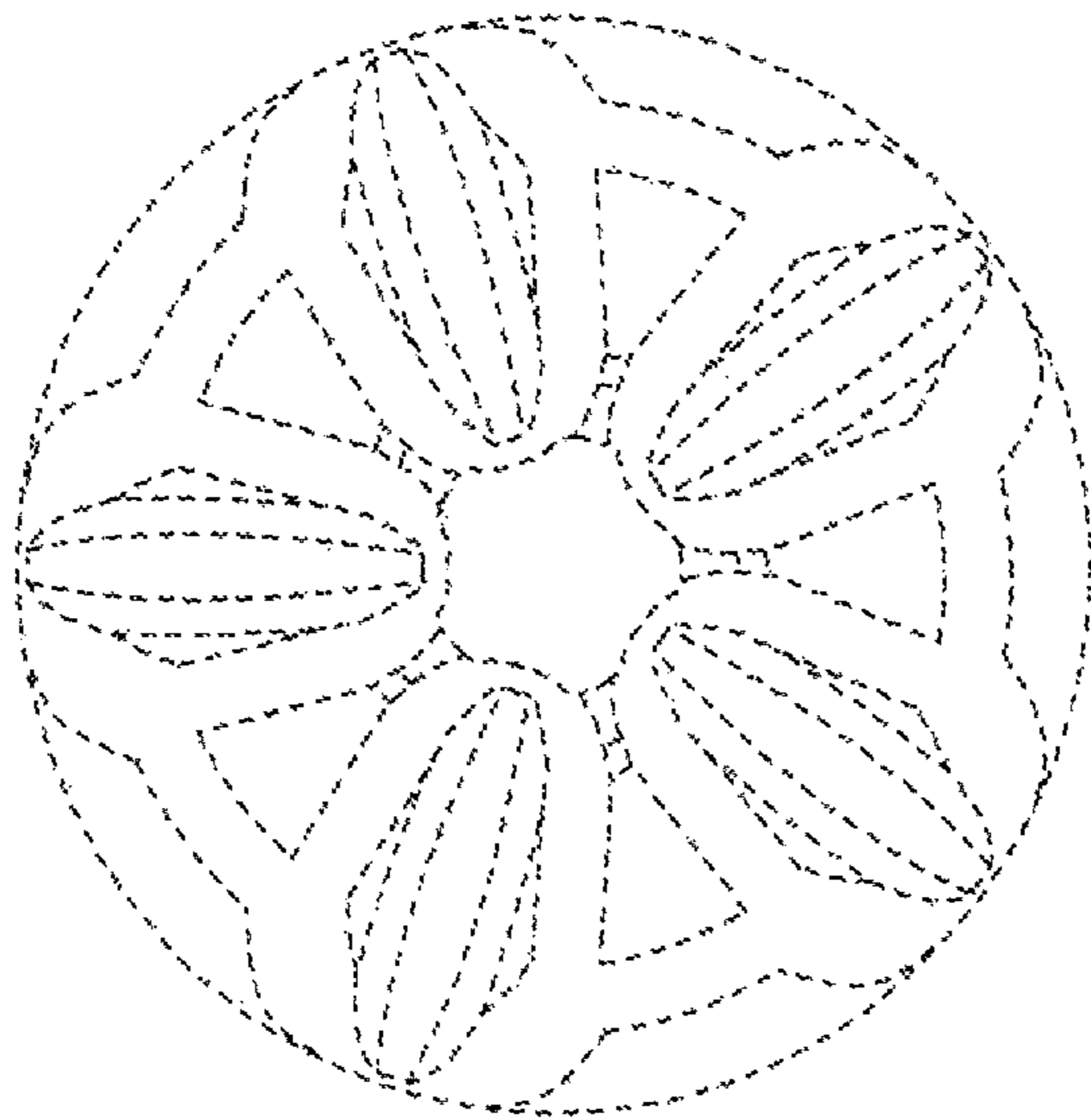


FIG. 7