



US00D736627S

(12) **United States Design Patent**
Fleischhacker

(10) **Patent No.:** **US D736,627 S**

(45) **Date of Patent:** **** Aug. 18, 2015**

(54) **PLASTIC CONTAINER**

(71) Applicant: **Plastipak Packaging, Inc.**, Plymouth, MI (US)

(72) Inventor: **Kyle Fleischhacker**, Detroit, MI (US)

(73) Assignee: **Plastipak Packaging, Inc.**, Plymouth, MI (US)

(**) Term: **14 Years**

(21) Appl. No.: **29/489,216**

(22) Filed: **Apr. 28, 2014**

(51) **LOC (10) Cl.** **09-01**

(52) **U.S. Cl.**
USPC **D9/500**

(58) **Field of Classification Search**
USPC D9/500, 502-505, 516, 520, 530,
D9/537-545, 548-550, 558, 715, 719;
215/11.1, 370-371, 375, 379,
215/381-384; 220/660, 669, 675
CPC B65D 1/00; B65D 1/02; B65D 1/0223;
B65D 1/0284; B65D 23/00; B65D 23/001;
B65D 83/00; B65D 91/00; B65D 91/02;
B65D 2501/00; B65D 2501/0009

See application file for complete search history.

(56) **References Cited**

U.S. PATENT DOCUMENTS

D462,620 S * 9/2002 Ashby D9/550
D574,252 S * 8/2008 Ryan et al. D9/600
D580,770 S * 11/2008 Matauch D9/551
D651,901 S * 1/2012 Miller et al. D9/516
D654,362 S * 2/2012 Weber-Trinkfass et al. ... D9/503

D658,995 S * 5/2012 Potts D9/500
D664,852 S * 8/2012 Weber-Trinkfass et al. ... D9/503
D691,483 S * 10/2013 Fitts et al. D9/550

FOREIGN PATENT DOCUMENTS

EM 001689282-0001 * 3/2010
FR 024078-0001 * 7/2002
WO DM/058299 * 9/2001

OTHER PUBLICATIONS

“Tailgater”, Commercial Designs: Gallery; ALuminex. CCL Container, Bottlecan.com, 1 page, retrieved Oct. 2, 2014, <http://www.bottlecan.com/image_gallery-aluminex.html>.*

* cited by examiner

Primary Examiner — Ian Simmons

Assistant Examiner — Dana Meyrow

(74) *Attorney, Agent, or Firm* — Dykema Gossett PLLC

(57) **CLAIM**

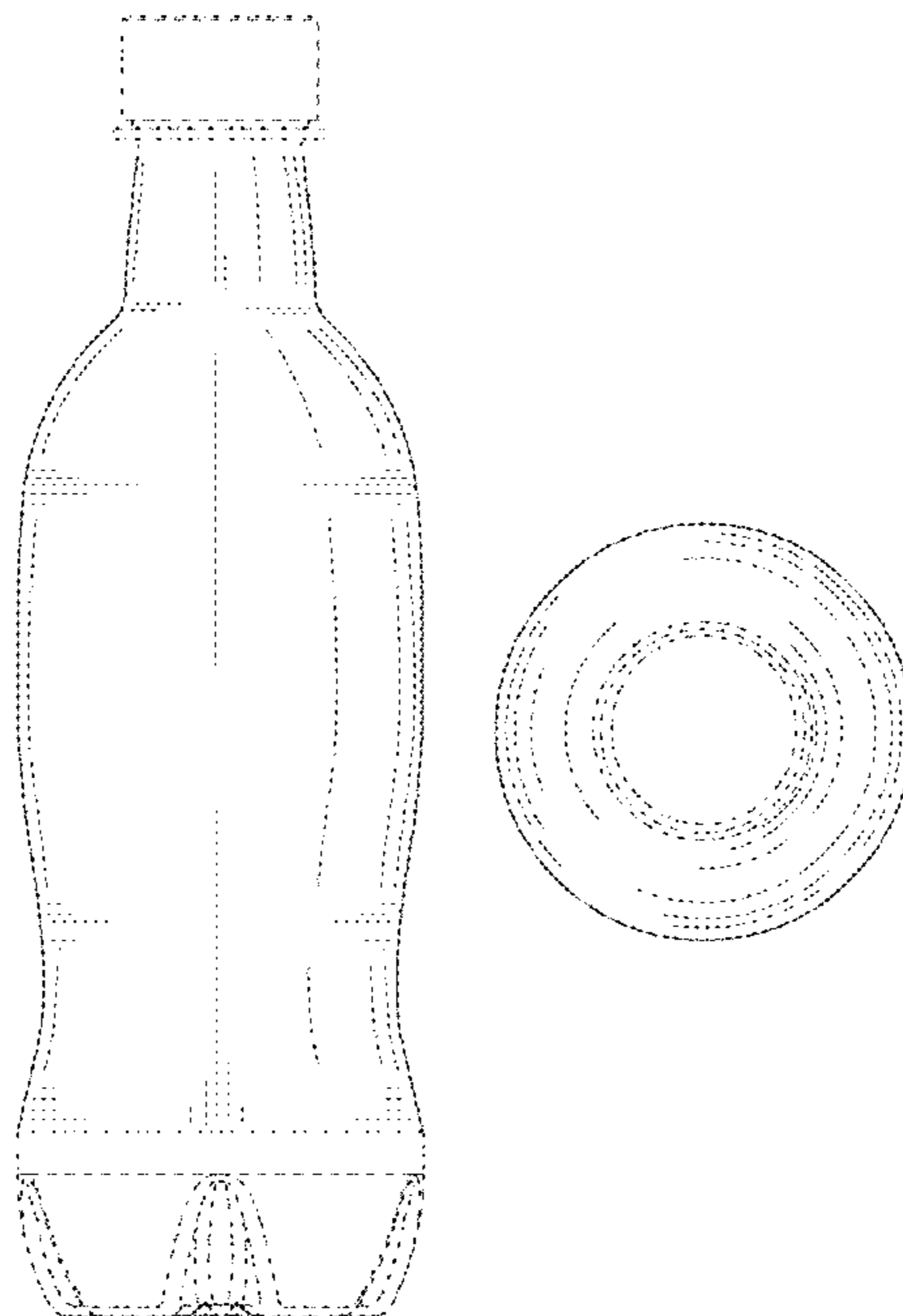
The ornamental design for a plastic container, as shown and described.

DESCRIPTION

FIG. 1 is a top, front, left side perspective view of a plastic container showing our new design;
FIG. 2 is a front elevational view of FIG. 1;
FIG. 3 is a rear elevational view of FIG. 1;
FIG. 4 is a left side elevational view of FIG. 1;
FIG. 5 is a right side elevational view of FIG. 1;
FIG. 6 is a top plan view of FIG. 1; and,
FIG. 7 is a bottom plan view of FIG. 1.

The broken lines shown in the drawings illustrate portions of the plastic container that form no part of the claimed design.

1 Claim, 4 Drawing Sheets



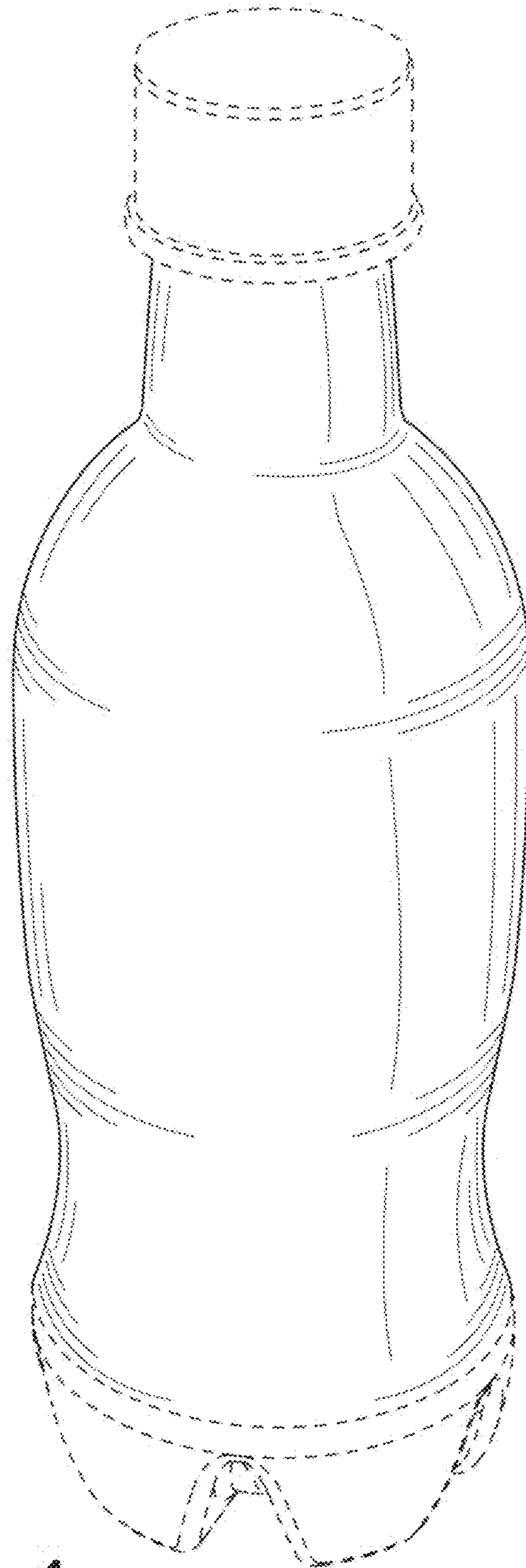


FIG. 1

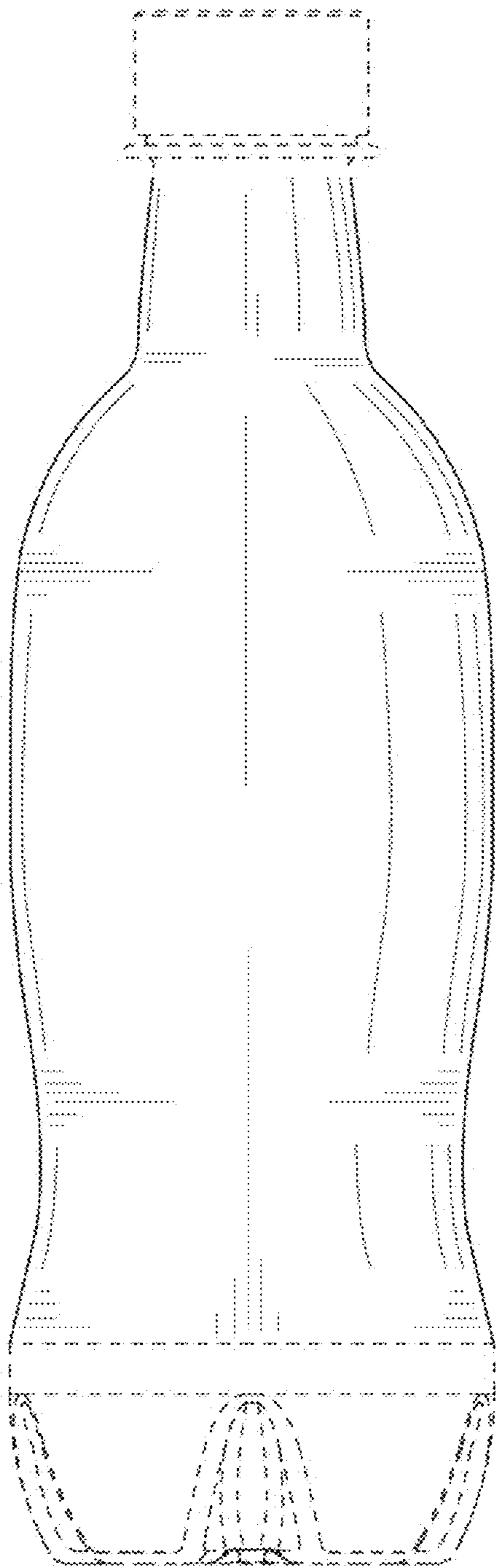


FIG. 2

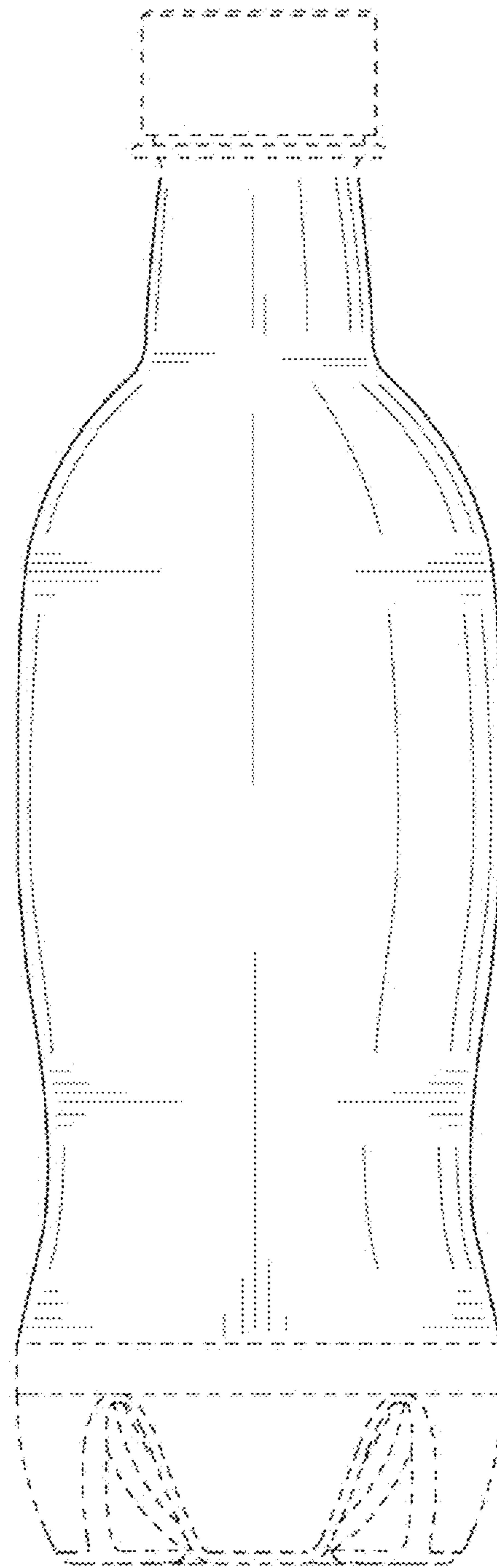


FIG. 3

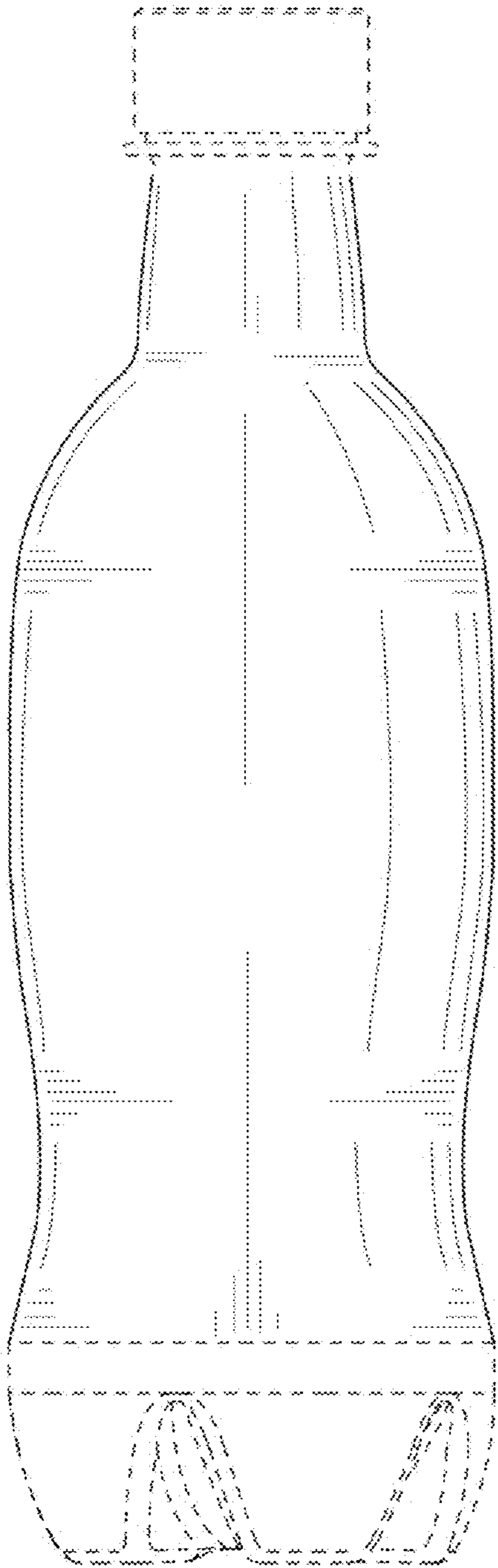


FIG. 4

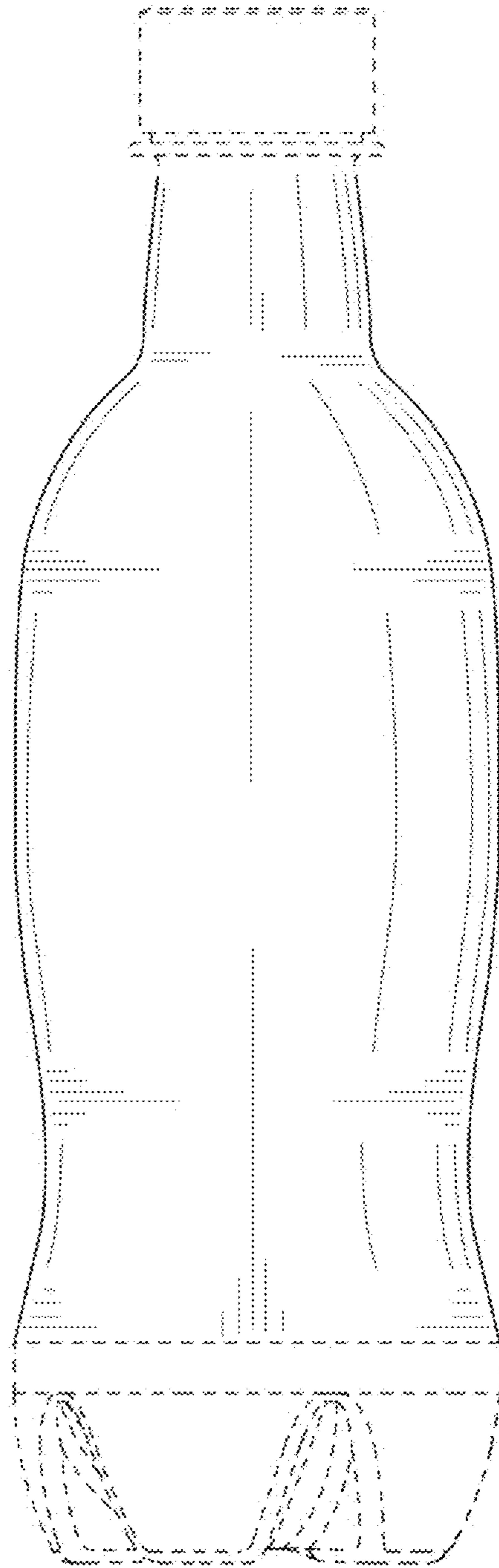


FIG. 5

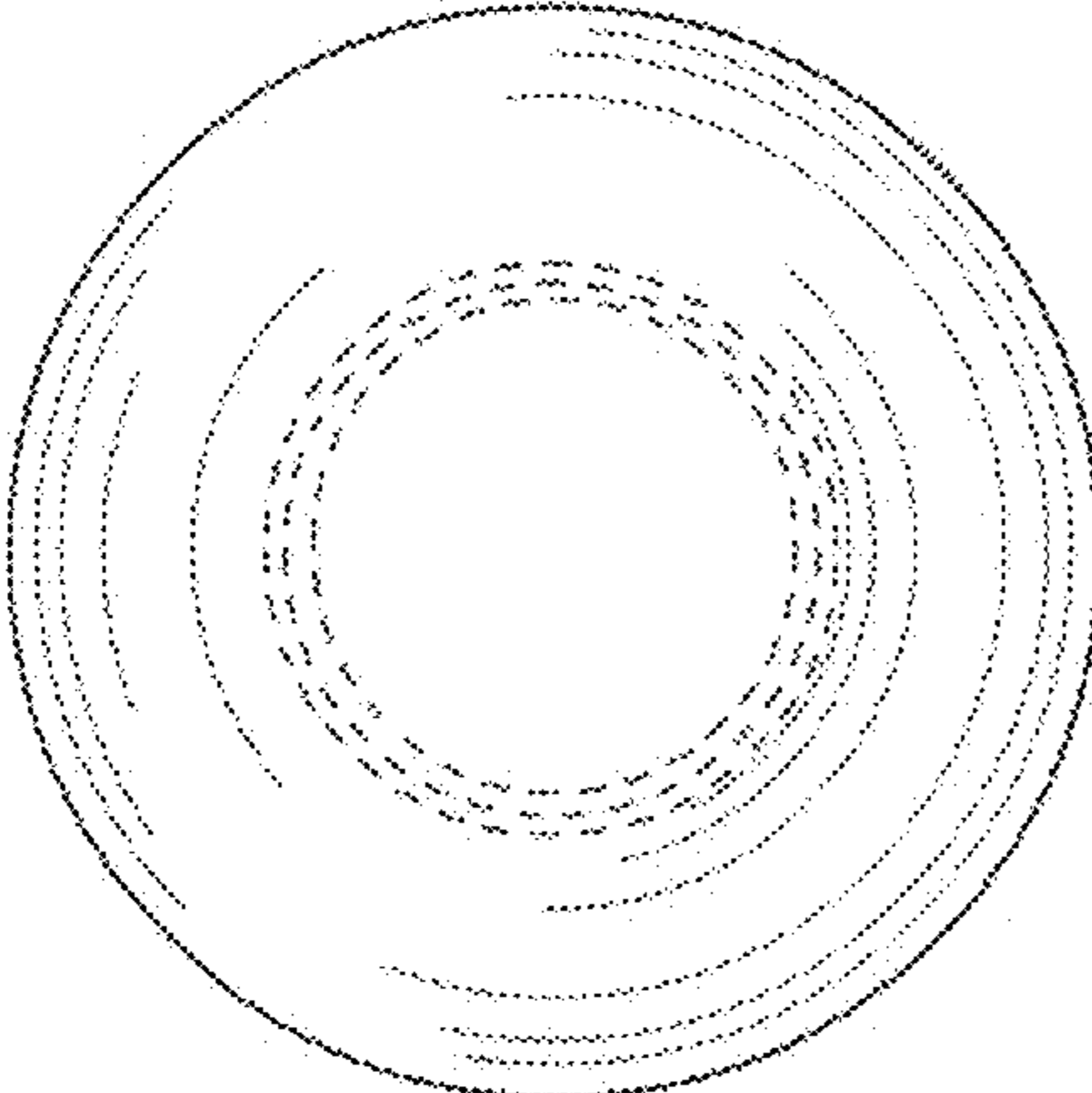


FIG. 6

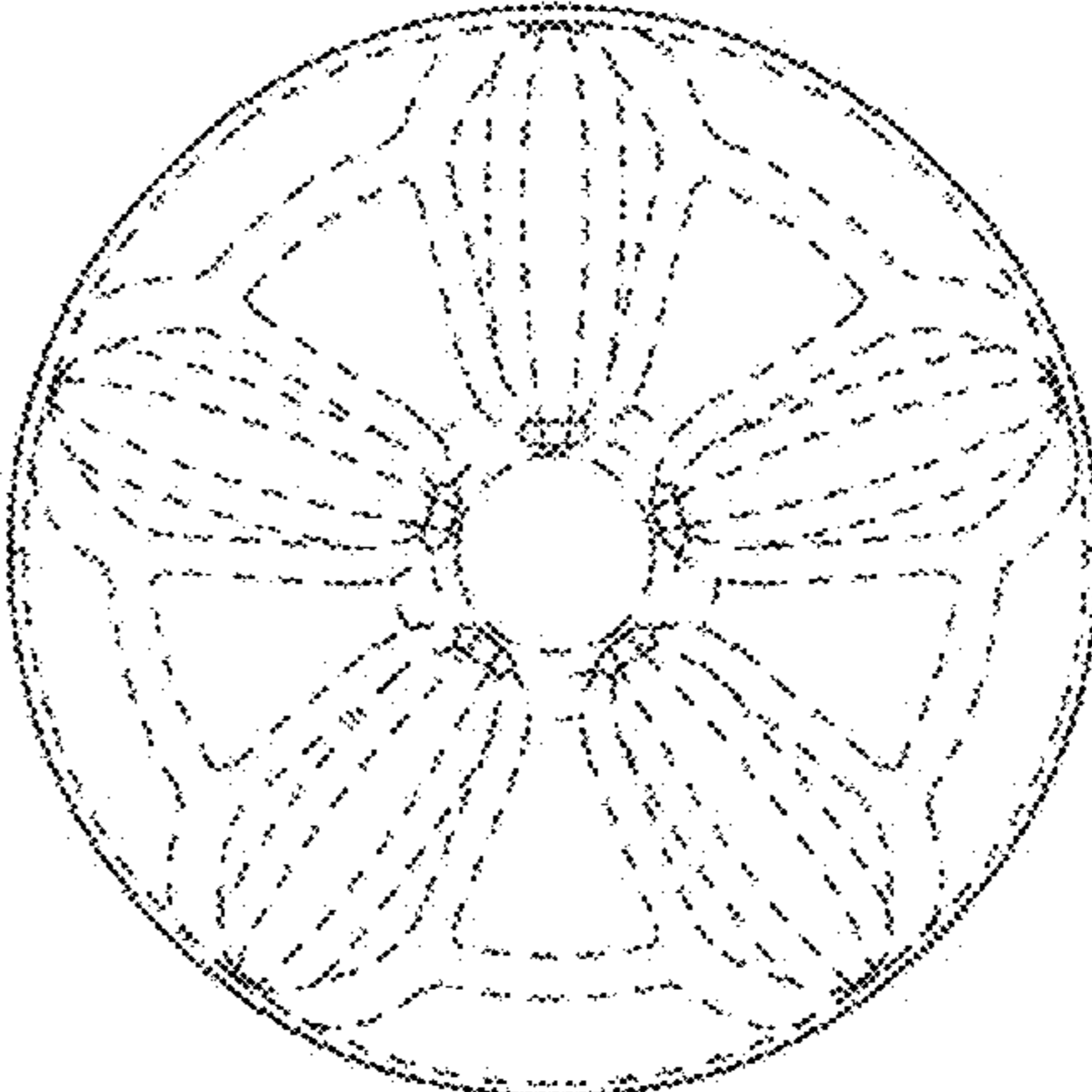


FIG. 7