



US00D736626S

(12) **United States Design Patent**
Limback

(10) **Patent No.:** **US D736,626 S**

(45) **Date of Patent:** **** Aug. 18, 2015**

(54) **PACKAGE FOR PRODUCT**

(71) Applicant: **AVENTISUB II INC.**, Greenville, DE
(US)

(72) Inventor: **Nancy Gail Limback**, Bridgewater, NJ
(US)

(73) Assignee: **AVENTISUB II INC.**, Greenville, DE
(US)

(**) Term: **14 Years**

(21) Appl. No.: **29/514,789**

(22) Filed: **Jan. 16, 2015**

Related U.S. Application Data

(60) Division of application No. 29/457,583, filed on Jun. 11, 2013, now Pat. No. Des. 724,432, which is a continuation of application No. 29/439,685, filed on Dec. 13, 2012, now Pat. No. Des. 703,545.

(51) **LOC (10) Cl.** **09-03**

(52) **U.S. Cl.**
USPC **D9/457**

(58) **Field of Classification Search**

USPC D9/457, 415, 624, 447, 446, 435, 434,
D9/433, 432, 425, 424, 418, 414, 719,
D9/722; 206/277, 349, 476, 382, 485, 490,
206/461, 538, 531, 534.1, 703, 705, 780;
229/313, 225, 222, 212, 209, 208, 149;
40/124.06; D20/22; D19/26
CPC G09F 1/00; G09F 1/02; G09F 1/04;
G09F 5/042; B65D 75/327; B65D 75/38;
B65D 73/00; B42D 15/00; B42D 15/045

See application file for complete search history.

(56) **References Cited**

U.S. PATENT DOCUMENTS

D112,273 S	11/1938	Blunt	
3,246,746 A *	4/1966	Holley	206/462
D271,063 S	10/1983	Compton	
D271,161 S	11/1983	Compton	
D312,276 S	11/1990	Fisherman et al.	
D313,182 S	12/1990	Diepois	
5,078,266 A	1/1992	Rackley	
D325,393 S *	4/1992	Schertz et al.	D19/26
D359,900 S	7/1995	Hawthorne	
D388,457 S	12/1997	Wagner	
D396,489 S	7/1998	Siemon et al.	
D401,274 S	11/1998	Sills et al.	

(Continued)

OTHER PUBLICATIONS

Notice of Allowance dated Dec. 30, 2013 issued in U.S. Appl. No. 29/439,685.

Primary Examiner — Susan Bennett Hattan

Assistant Examiner — Marie Fast Horse

(74) *Attorney, Agent, or Firm* — Scully, Scott, Murphy & Presser, P.C.

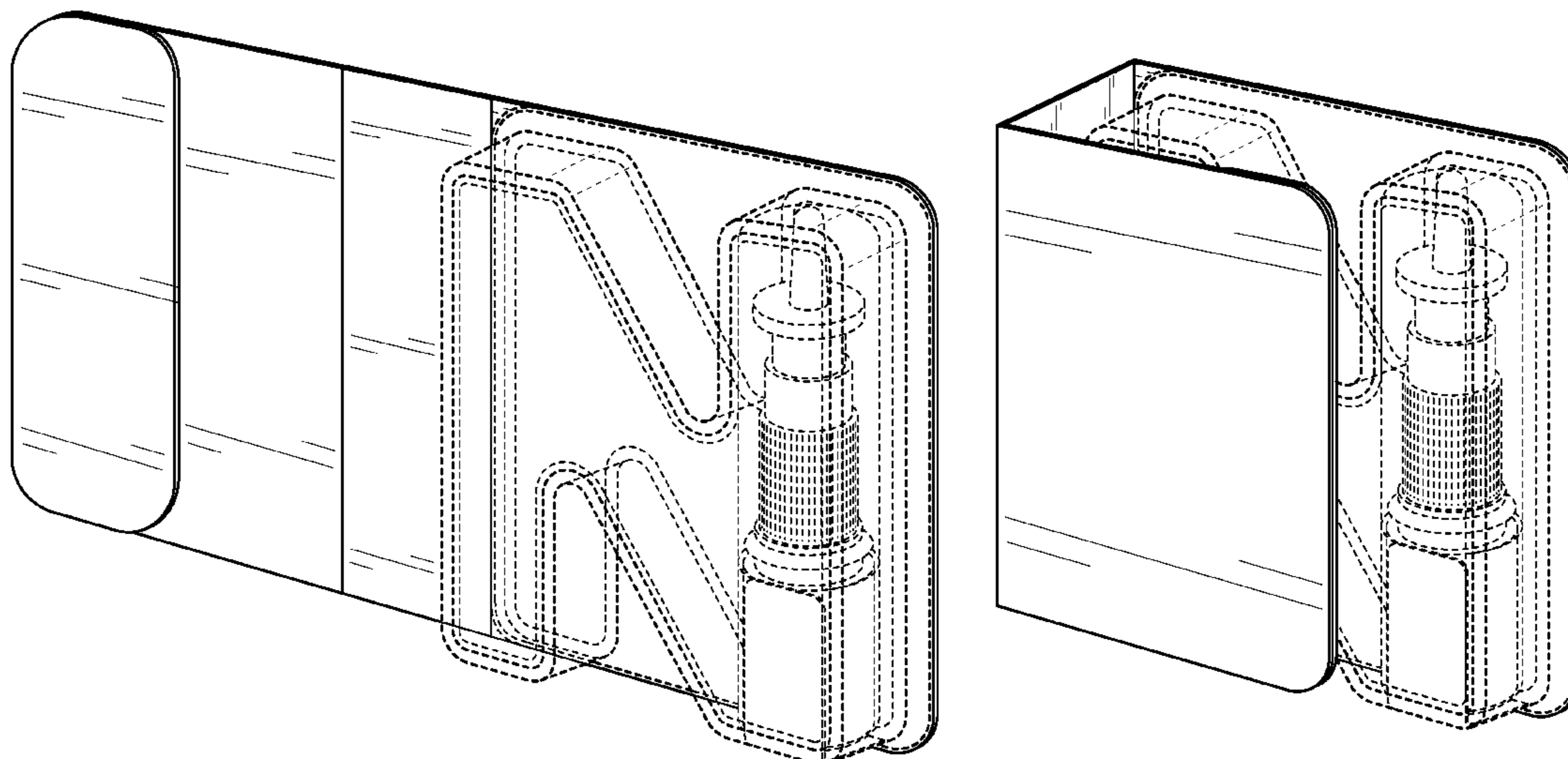
(57) **CLAIM**

The ornamental design for a package for product, as shown and described.

DESCRIPTION

FIG. 1 is a perspective view of a package for product showing my new design;
FIG. 2 is a front view thereof;
FIG. 3 is a rear view thereof;
FIG. 4 is a side view thereof;
FIG. 5 is an opposite side view thereof;
FIG. 6 is a top view thereof;
FIG. 7 is a bottom view thereof;
FIG. 8 is another perspective view thereof; and,
FIG. 9 is another front view thereof.
The broken lines depict parts of the package for product that form no part of the claimed design.

1 Claim, 7 Drawing Sheets



(56)

References Cited

U.S. PATENT DOCUMENTS

5,984,099	A	11/1999	Shimizu et al.					
6,024,222	A *	2/2000	Friberg et al.	206/531				
D426,262	S	6/2000	Humphrey					
D439,512	S	3/2001	Wootton					
D448,799	S	10/2001	Moor					
D456,841	S	5/2002	Bock					
D462,987	S	9/2002	Ruscetta et al.					
D468,348	S	1/2003	Nishikawa					
6,659,271	B2	12/2003	Parsons					
6,874,636	B2	4/2005	Paliotta et al.					
6,913,149	B2	7/2005	Gelardi et al.					
D509,848	S	9/2005	Whittington et al.					
D510,949	S	10/2005	Whittington et al.					
D523,473	S	6/2006	Regala					
D550,769	S	9/2007	Pollard					
7,325,689	B2	2/2008	Buss					
D564,019	S	3/2008	Matsuzawa					
7,360,652	B2	4/2008	Arnold					
7,748,535	B2	7/2010	Grosskopf					
7,896,161	B2	3/2011	Reilley et al.					
D642,615	S	8/2011	Naimi					
D644,690	S	9/2011	Mott, Sr. et al.					
					D647,560	S	10/2011	Naimi
					8,079,470	B2	12/2011	Trajkovich
					D655,751	S *	3/2012	Sato et al.
					8,151,988	B2	4/2012	Smith et al.
					D658,990	S	5/2012	Specker et al.
					D669,121	S *	10/2012	May
					8,413,813	B2	4/2013	Grosskopf
					D682,350	S *	5/2013	Hagerty
					D684,626	S *	6/2013	Lam et al.
					8,459,453	B2	6/2013	Parker et al.
					D724,432	S *	3/2015	Limback
					2001/0030140	A1 *	10/2001	Mundt
					2004/0026293	A1	2/2004	Hughes
					2007/0017847	A1	1/2007	Leifeld
					2007/0056879	A1	3/2007	Euzen et al.
					2007/0068844	A1	3/2007	Weston
					2008/0110791	A1 *	5/2008	Specker
					2009/0178949	A1 *	7/2009	Reilley et al.
					2009/0194445	A1	8/2009	Mongan et al.
					2009/0194452	A1	8/2009	Hession et al.
					2010/0264153	A1	10/2010	Bellamah et al.
					2010/0294683	A1	11/2010	Mish et al.
					2012/0160862	A1 *	6/2012	Gutierrez
					2013/0213845	A1 *	8/2013	Tsao et al.

* cited by examiner

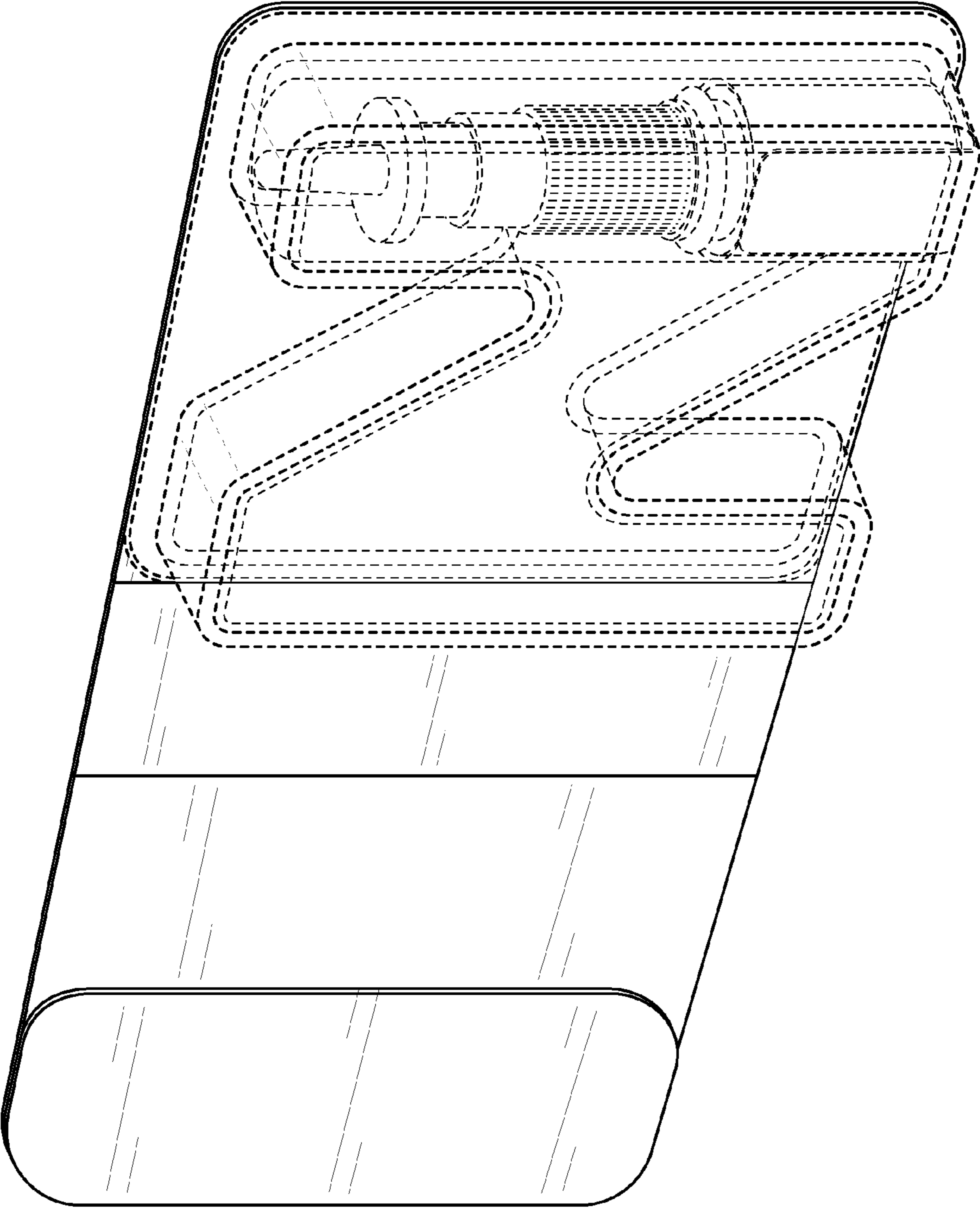


FIG. 1

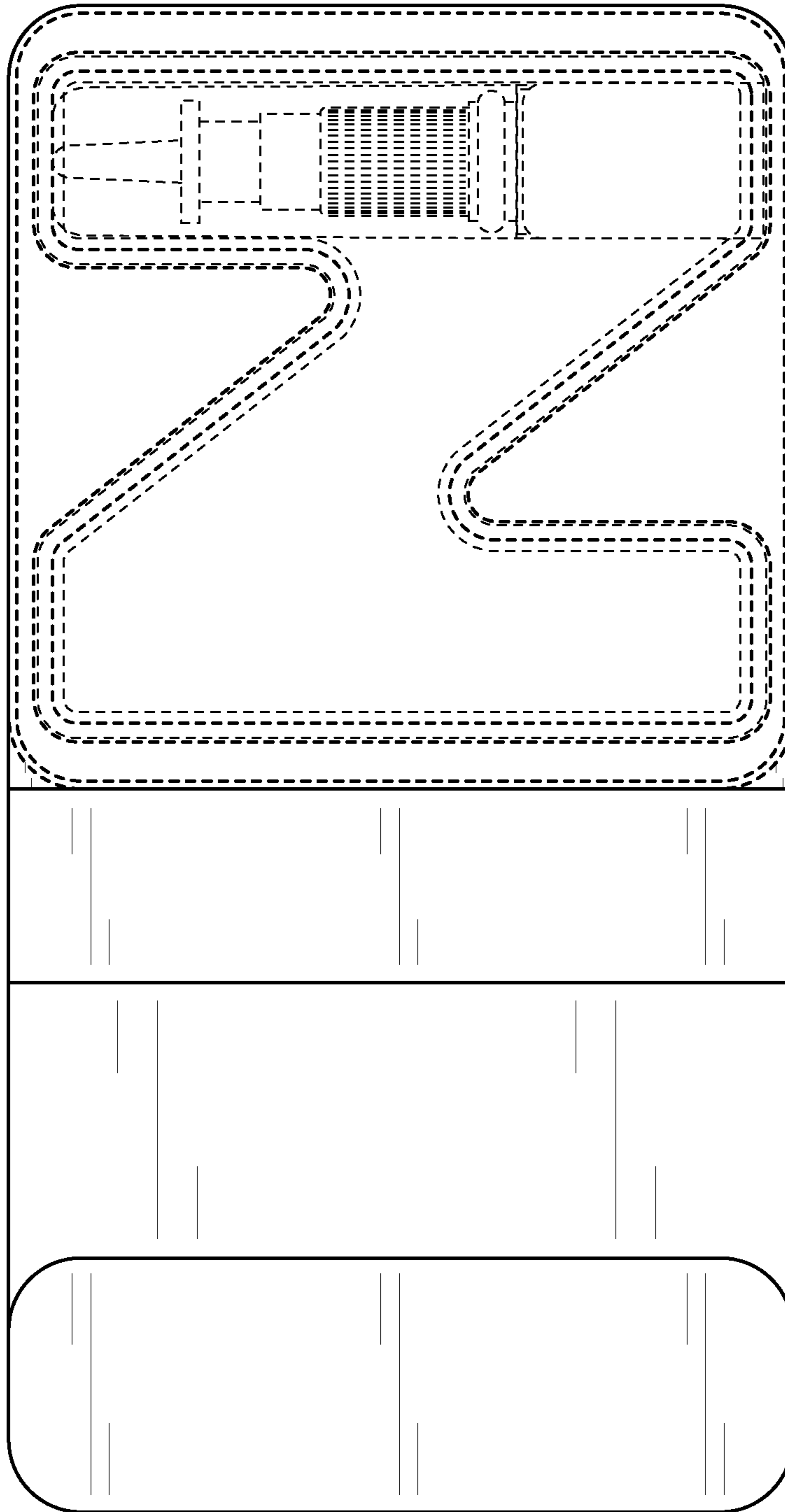


FIG. 2

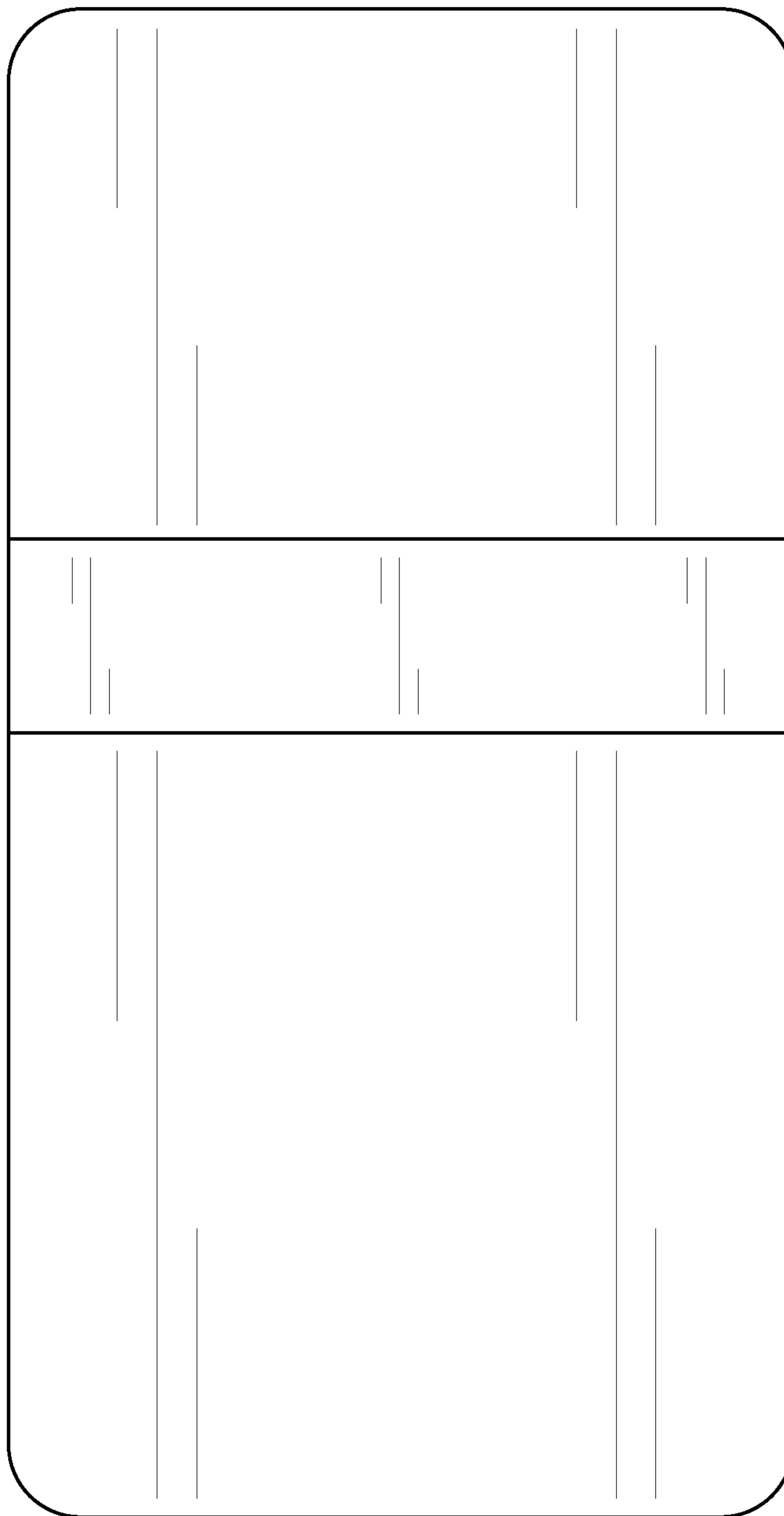


FIG. 3

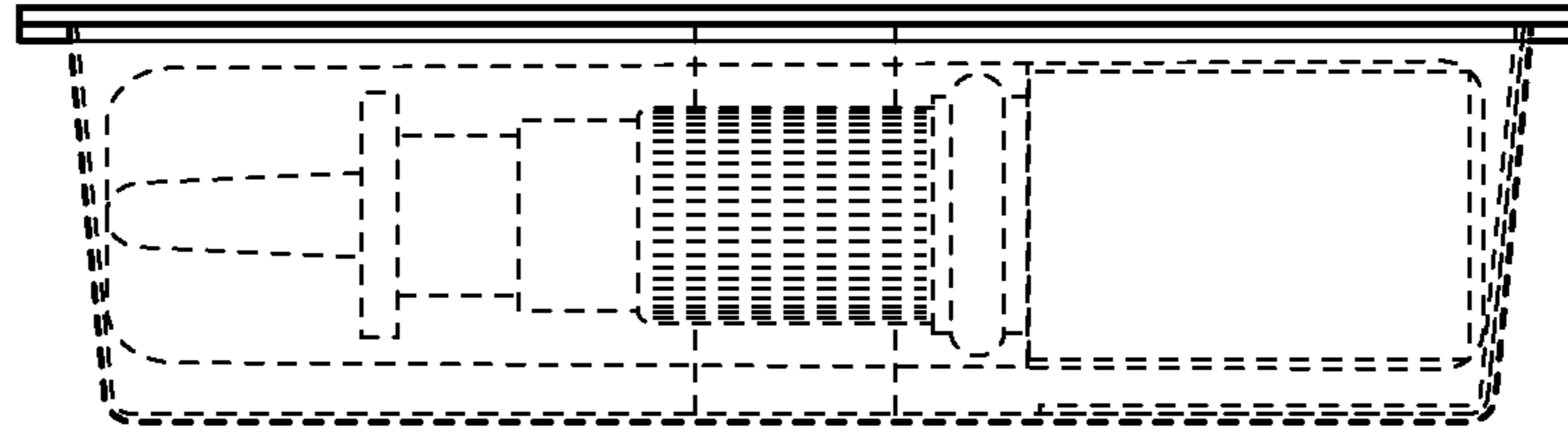


FIG. 4

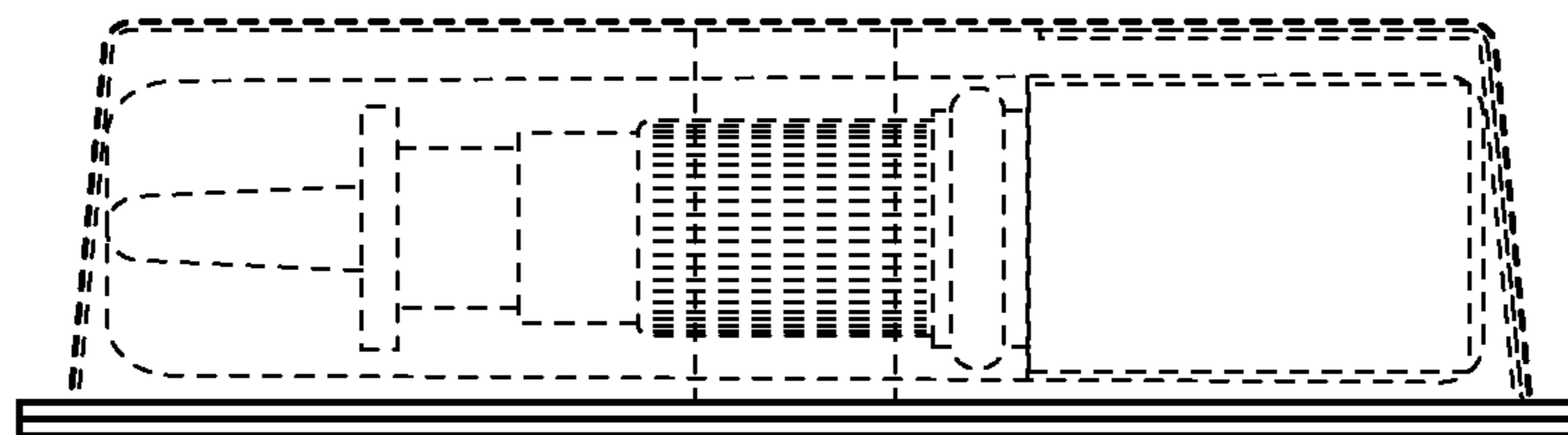


FIG. 5

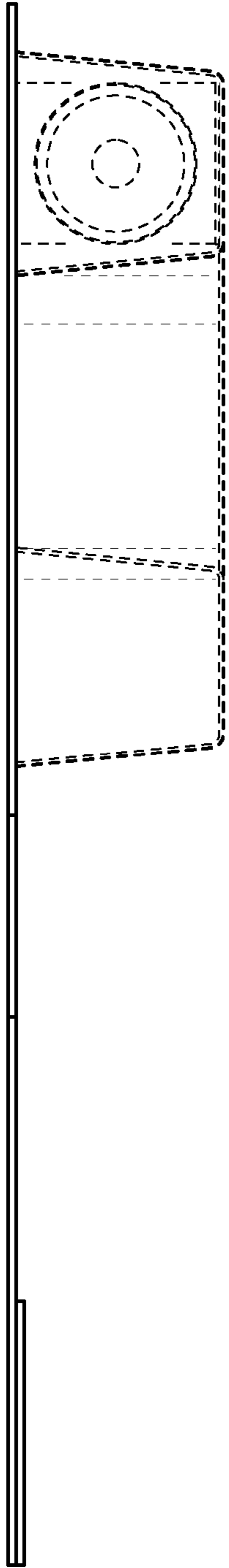


FIG. 6

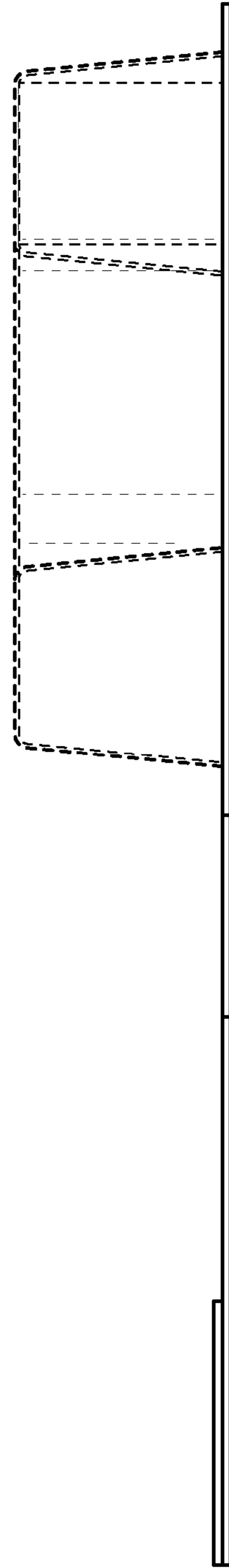


FIG. 7

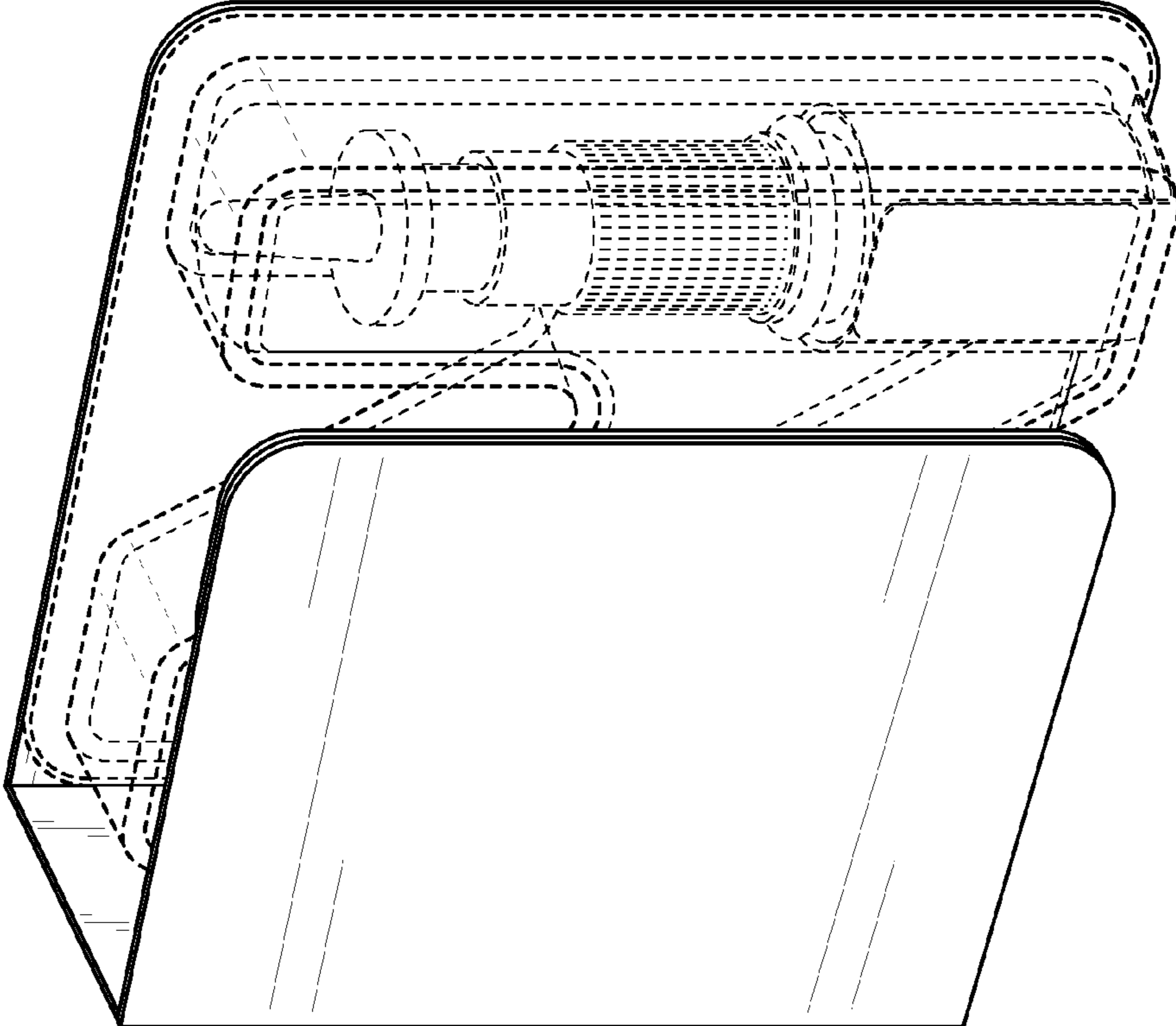


FIG. 8

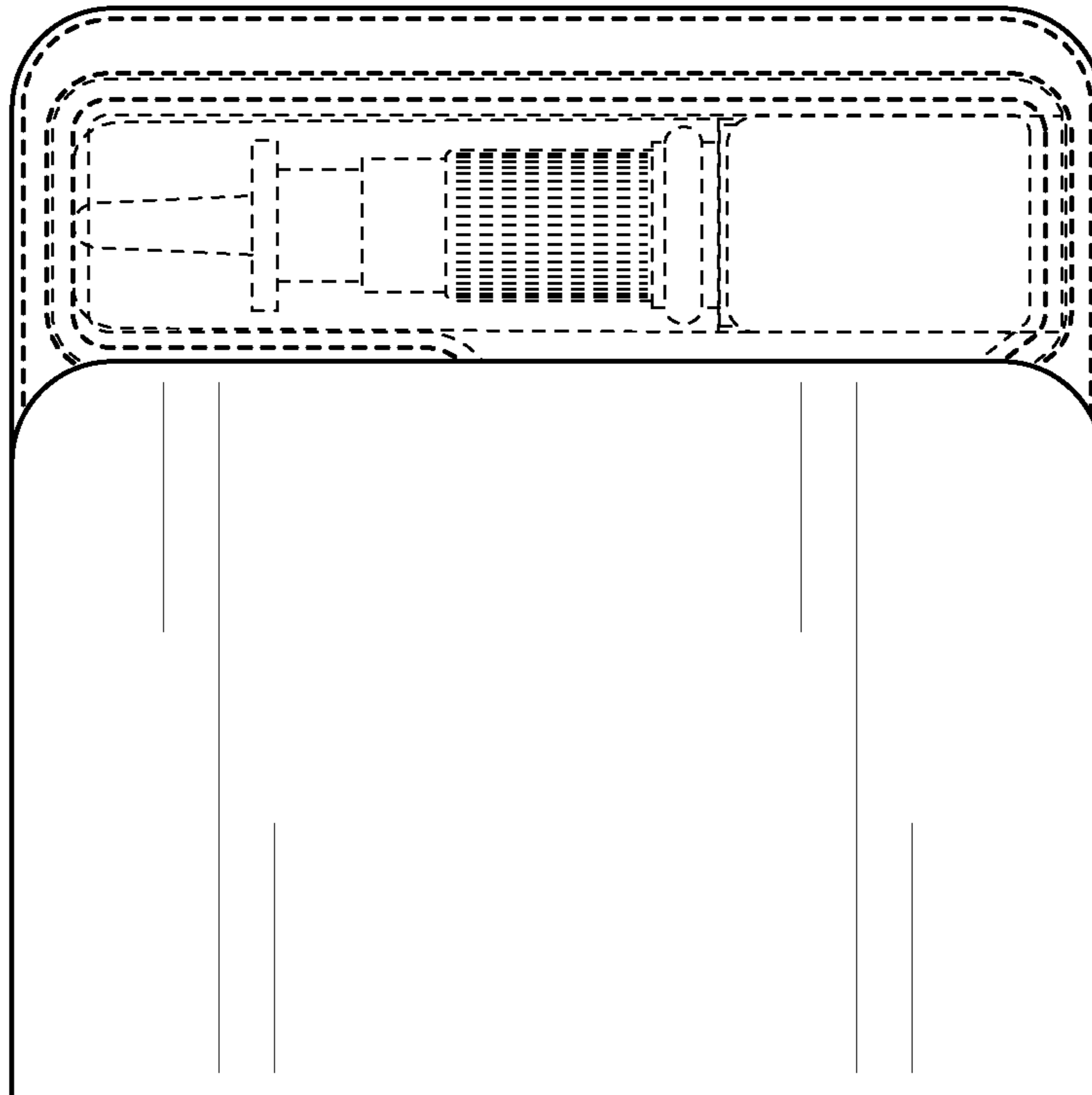


FIG. 9