



US00D736625S

(12) **United States Design Patent**  
**Laureano**

(10) **Patent No.:** **US D736,625 S**  
(45) **Date of Patent:** **\*\* Aug. 18, 2015**

(54) **BOTTLE CAP**

*Primary Examiner* — Robert M Spear

(71) Applicant: **Emmanuel Laureano**, Union City, CA  
(US)

(72) Inventor: **Emmanuel Laureano**, Union City, CA  
(US)

(\*\*) Term: **14 Years**

(21) Appl. No.: **29/509,108**

(22) Filed: **Nov. 14, 2014**

**Related U.S. Application Data**

(62) Division of application No. 29/479,425, filed on Jan. 15, 2014, now Pat. No. Des. 720,222.

(51) **LOC (10) Cl.** ..... **09-07**

(52) **U.S. Cl.**  
USPC ..... **D9/454**

(58) **Field of Classification Search**  
USPC ..... D9/434, 435, 440, 447, 449, 451, 452,  
D9/453, 454, 705, 707-710; D7/387, 392,  
D7/392.1; 215/252; 220/288, 711, 714,  
220/717; 222/567, 569, 570, 571, 572  
CPC ..... B65D 39/08  
See application file for complete search history.

(56) **References Cited**

**U.S. PATENT DOCUMENTS**

D225,308 S	12/1972	Barefoot
4,202,456 A	5/1980	Silber
5,361,919 A	11/1994	Hull et al.
D445,679 S	7/2001	Malmborg
D469,693 S	2/2003	Weiss et al.
6,702,642 B1	3/2004	Parein
D547,657 S	7/2007	Tacchella
D556,037 S	11/2007	D'Amato
7,371,146 B2	5/2008	Scarborough
D679,590 S	4/2013	Stull et al.

(Continued)

(57) **CLAIM**

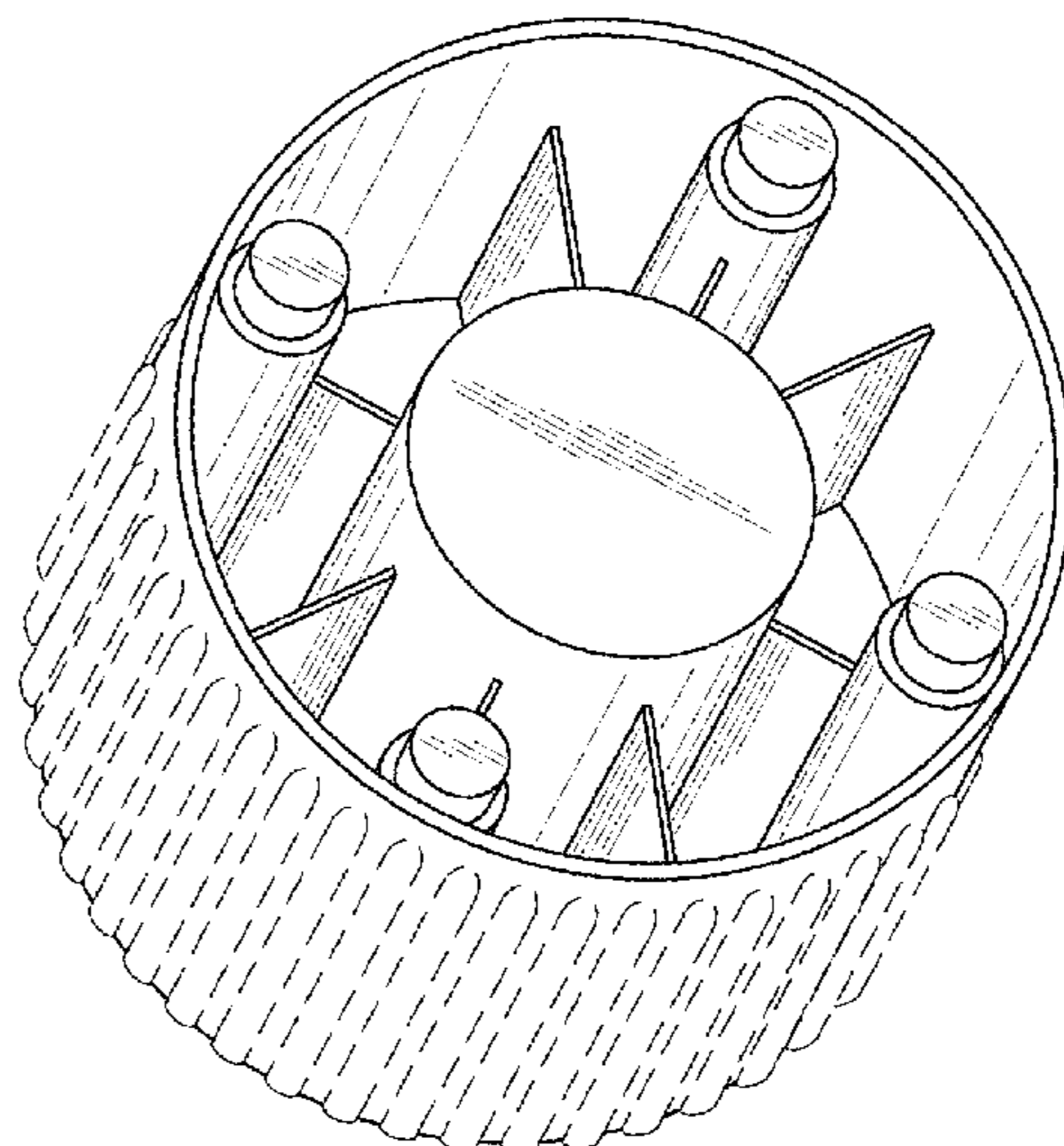
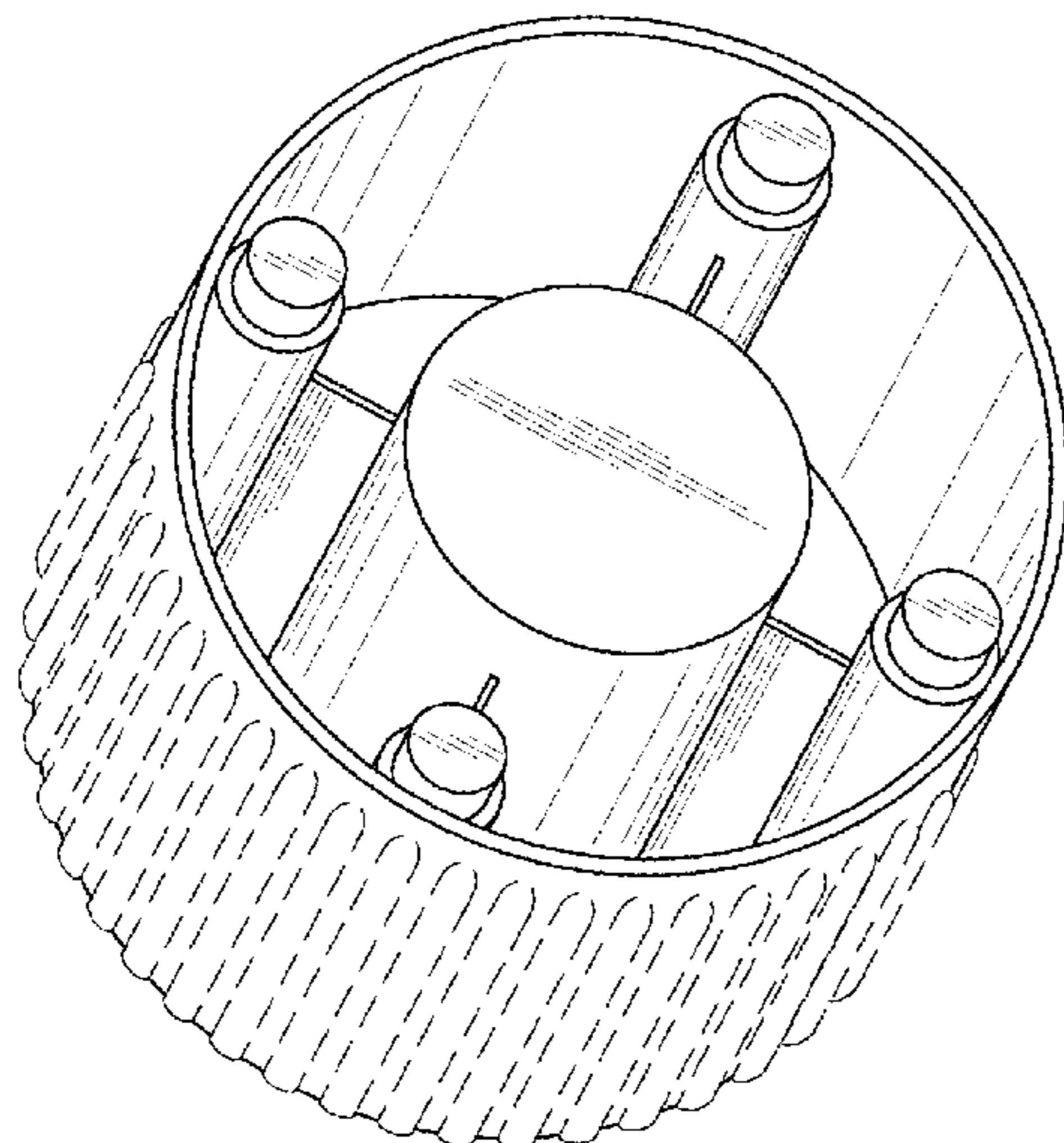
The ornamental design for a bottle cap, as shown and described.

**DESCRIPTION**

FIG. 1 is a top perspective view of a first embodiment of a bottle cap;  
 FIG. 2 is a bottom perspective view of the bottle cap shown in FIG. 1;  
 FIG. 3 is a front view of the bottle cap shown in FIG. 1;  
 FIG. 4 is a rear view of the bottle cap shown in FIG. 1;  
 FIG. 5 is a left side elevational view of the bottle cap shown in FIG. 1;  
 FIG. 6 is a right side elevational view of the bottle cap shown in FIG. 1;  
 FIG. 7 is a top plan view of the bottle cap shown in FIG. 1;  
 FIG. 8 is a bottom plan view of the bottle cap shown in FIG. 1;  
 FIG. 9 is a top perspective view of a second embodiment of a bottle cap;  
 FIG. 10 is a bottom perspective view of the bottle cap shown in FIG. 9;  
 FIG. 11 is a front view of the bottle cap shown in FIG. 9;  
 FIG. 12 is a rear view of the bottle cap shown in FIG. 9;  
 FIG. 13 is a left side elevational view of the bottle cap shown in FIG. 9;  
 FIG. 14 is a right side elevational view of the bottle cap shown in FIG. 9;  
 FIG. 15 is a top plan view of the bottle cap shown in FIG. 9;  
 and,  
 FIG. 16 is a bottom plan view of the bottle cap shown in FIG. 9.

The broken lines in the drawings represent unclaimed environmental subject matter and form no part of the claim.

**1 Claim, 10 Drawing Sheets**



(56)

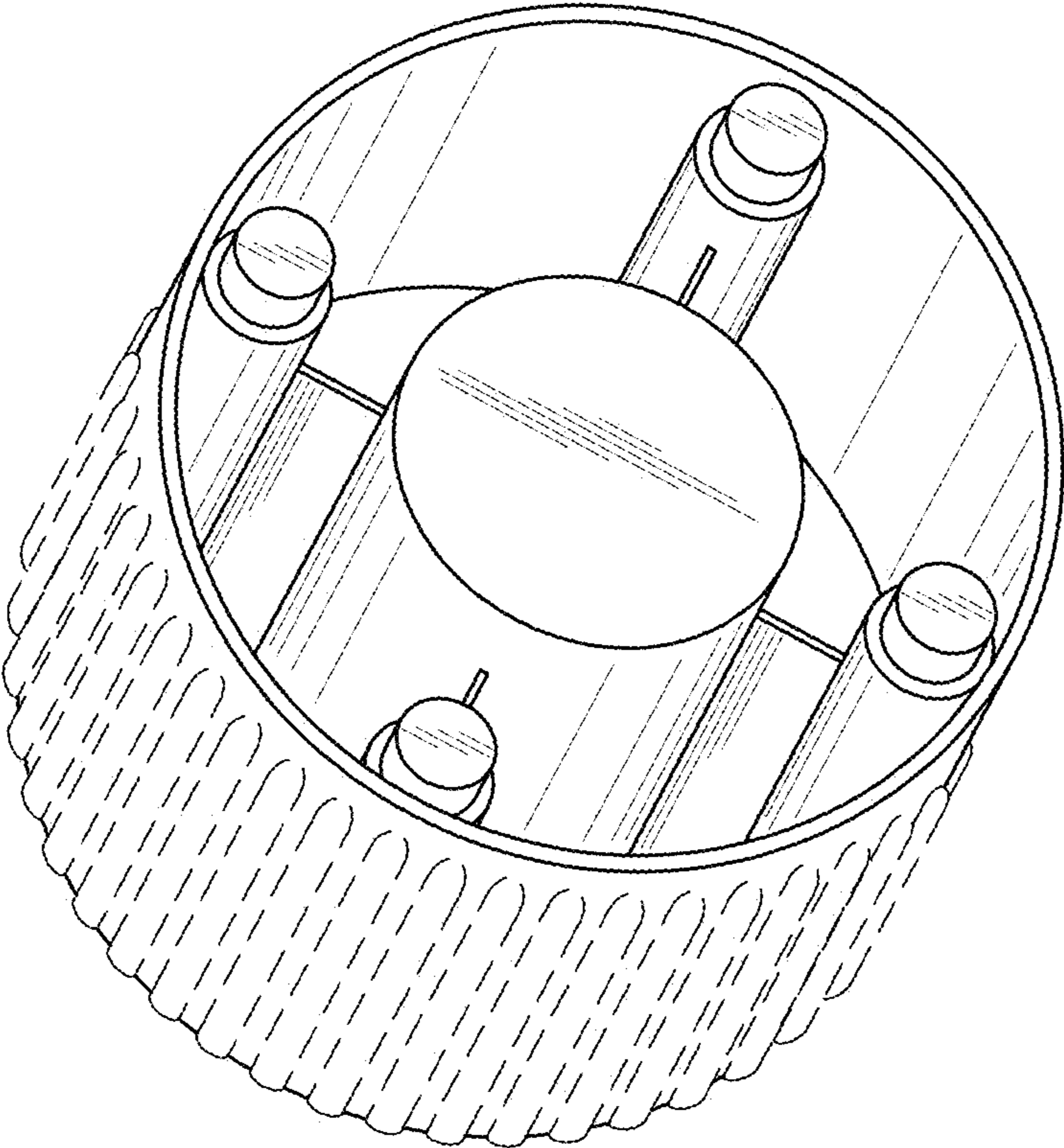
**References Cited**

U.S. PATENT DOCUMENTS

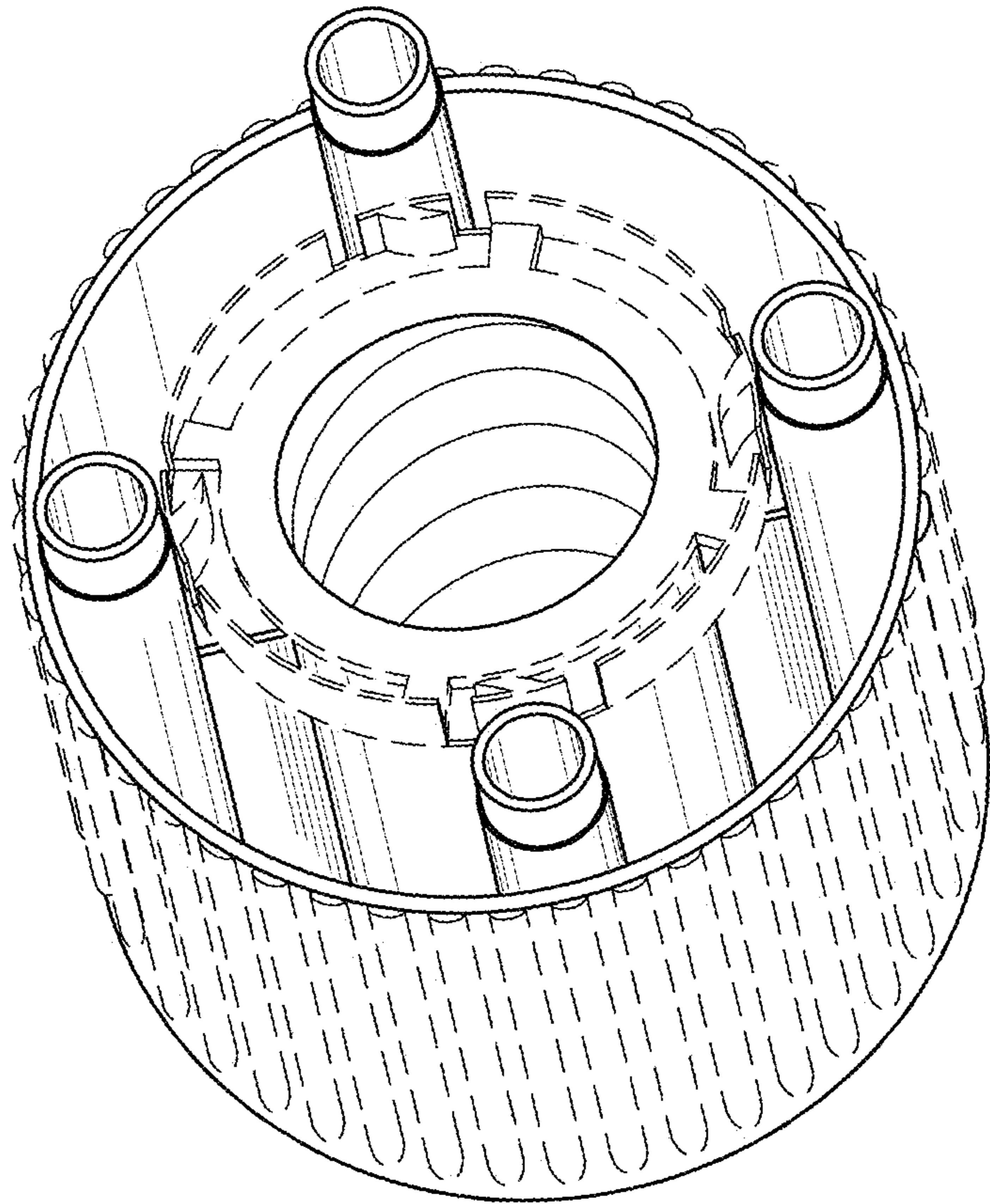
D679,598 S 4/2013 Miceli et al.  
D679,999 S 4/2013 Miceli et al.  
D680,000 S 4/2013 Miceli et al.  
D680,001 S 4/2013 Miceli et al.

D680,002 S 4/2013 Miceli et al.  
D683,625 S 6/2013 Araujo et al.  
D684,057 S 6/2013 Kwon  
D706,631 S 6/2014 Wilson et al.  
D720,222 S \* 12/2014 Laureano ..... D9/453  
2011/0139745 A1 6/2011 Ezra et al.  
2013/0090033 A1 4/2013 Vollers et al.

\* cited by examiner

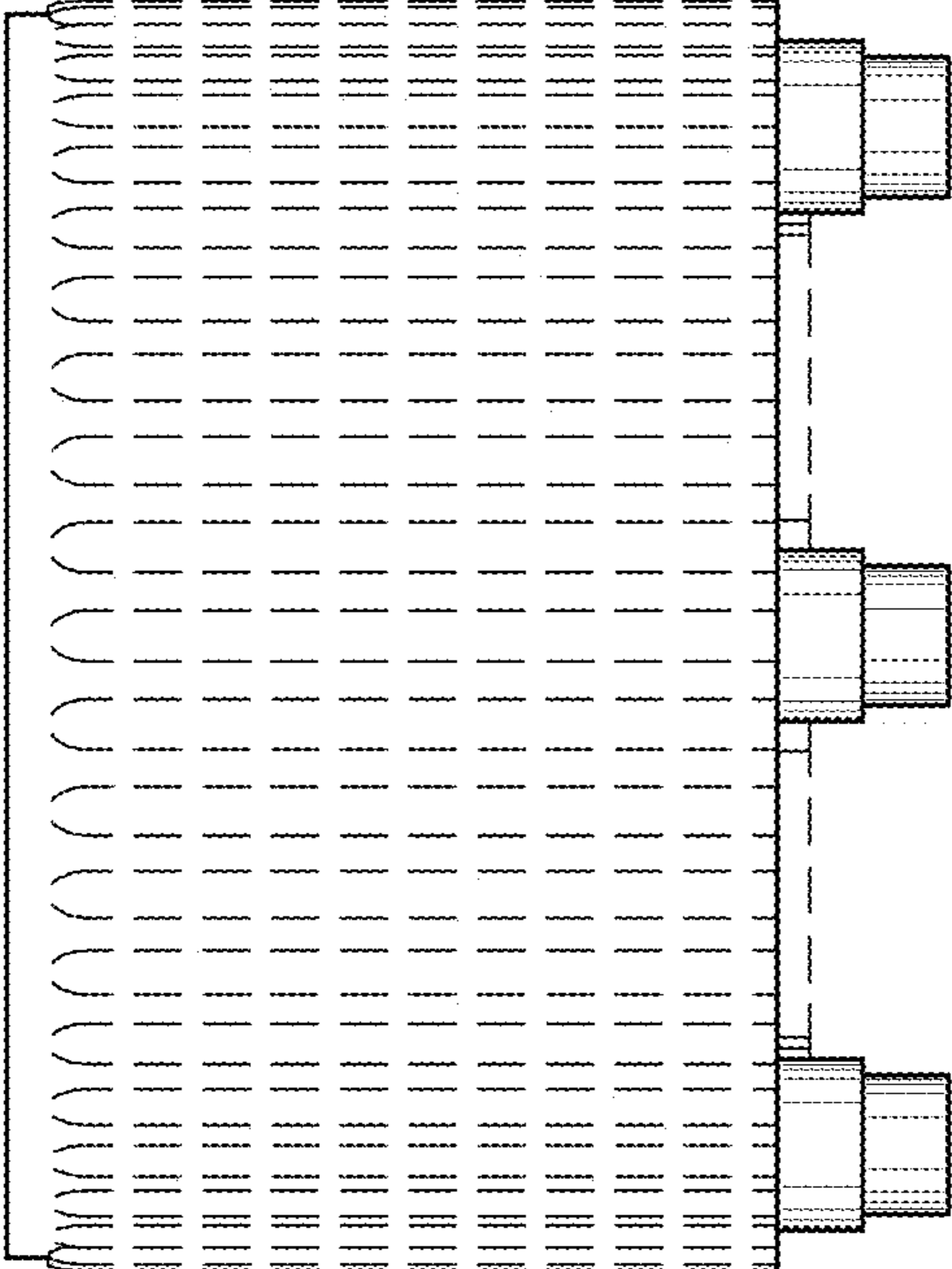


**FIG. 1**

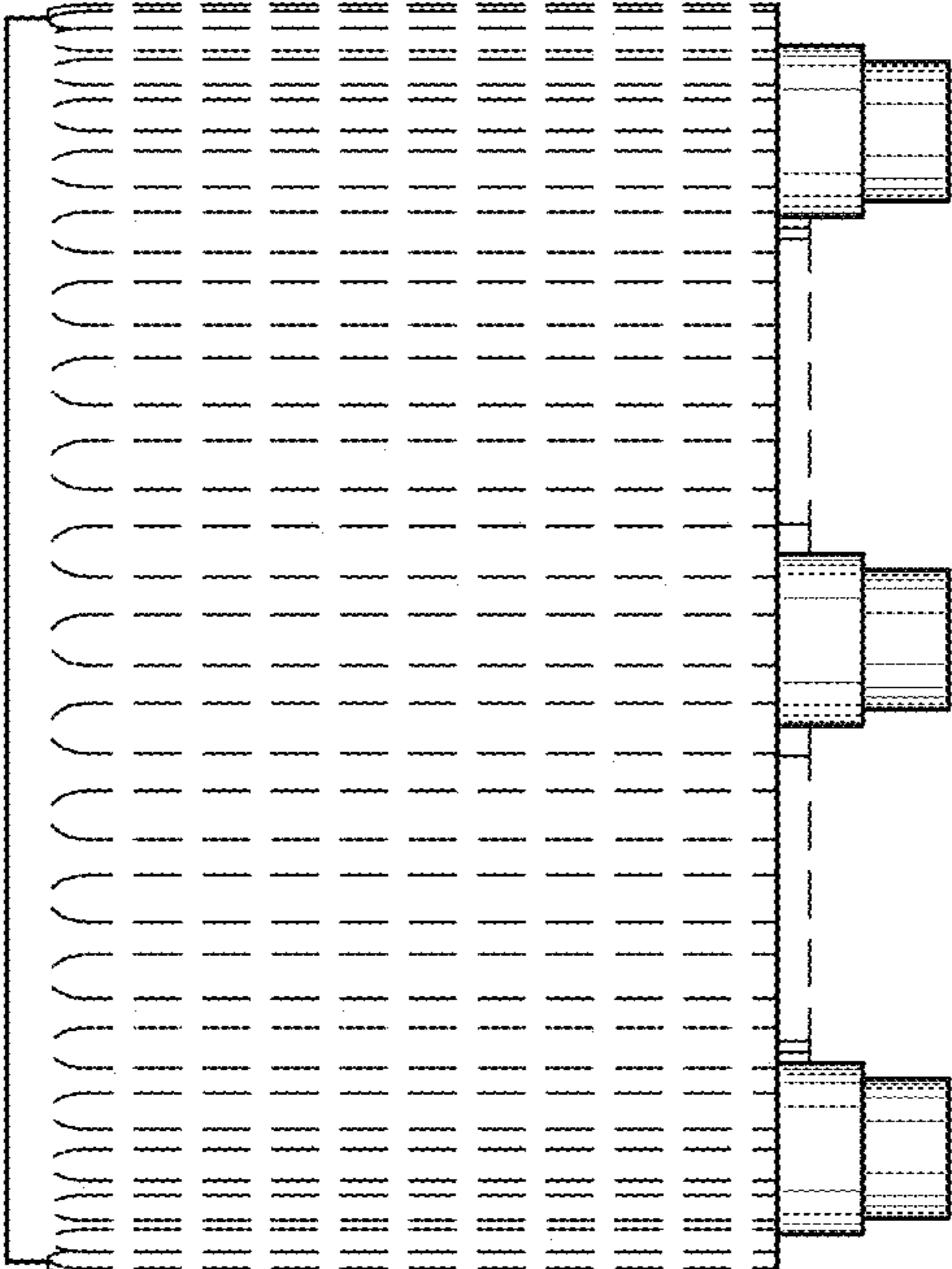


**FIG. 2**





**FIG. 4**



**FIG. 3**

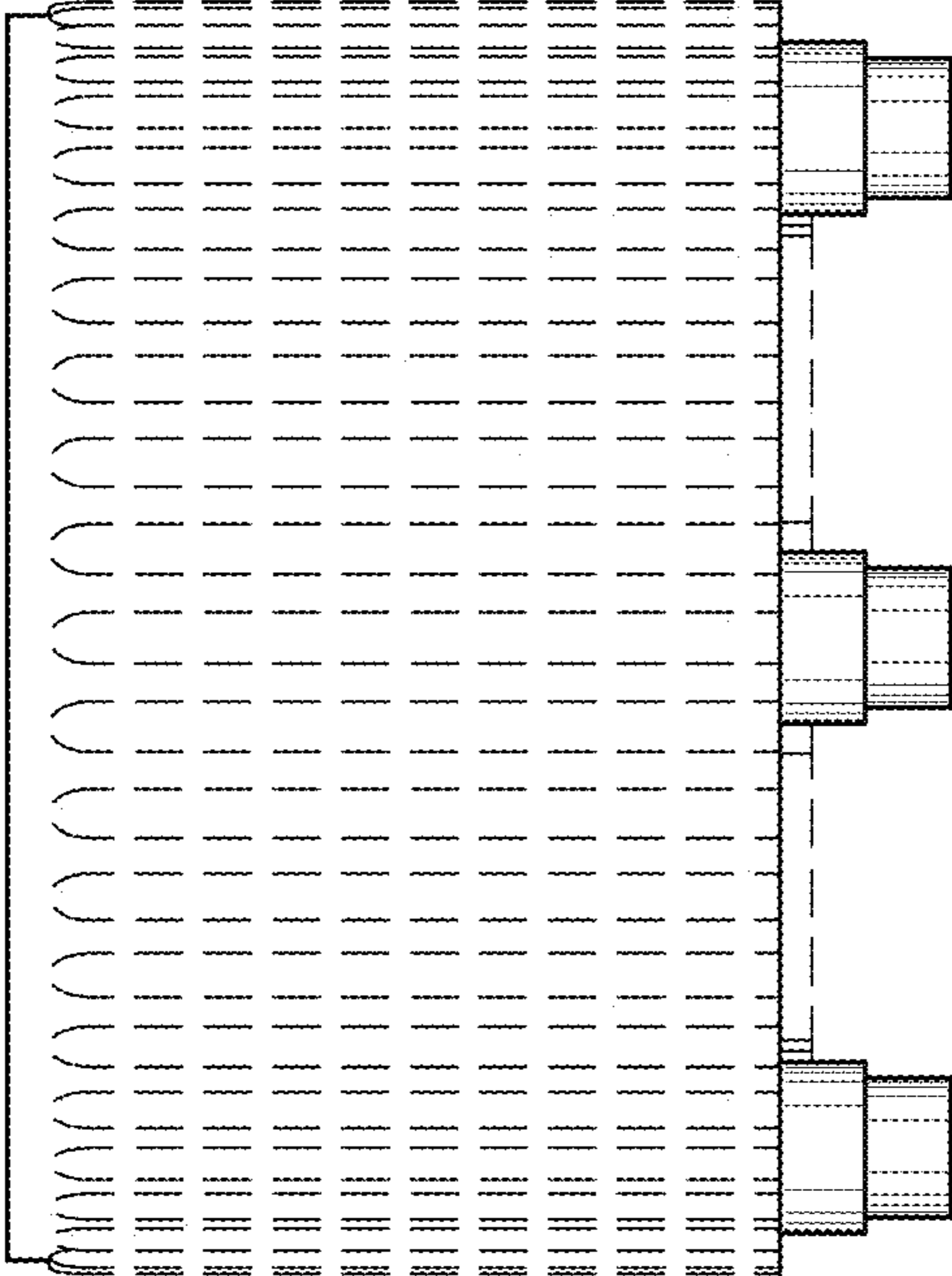


FIG. 5

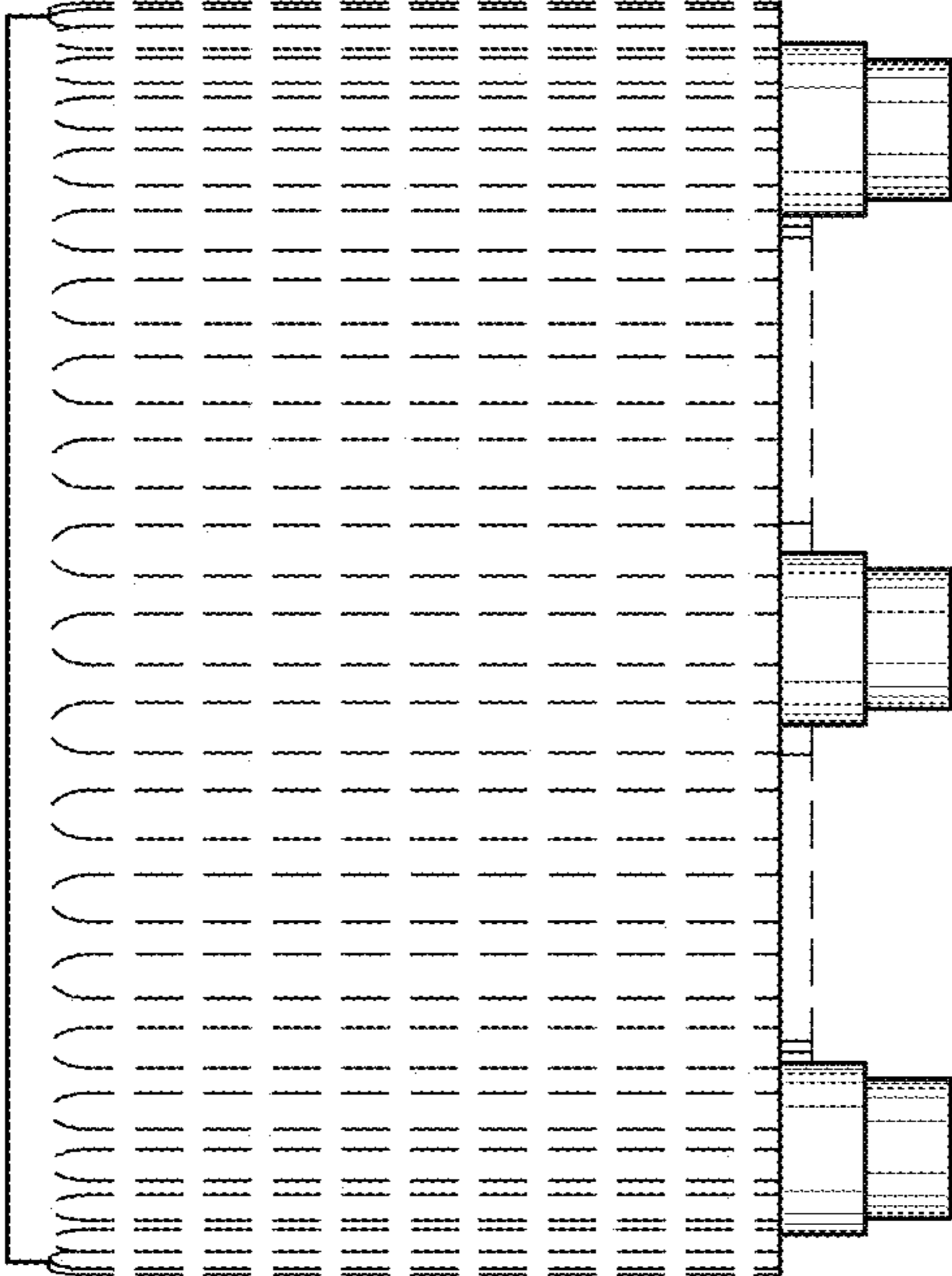
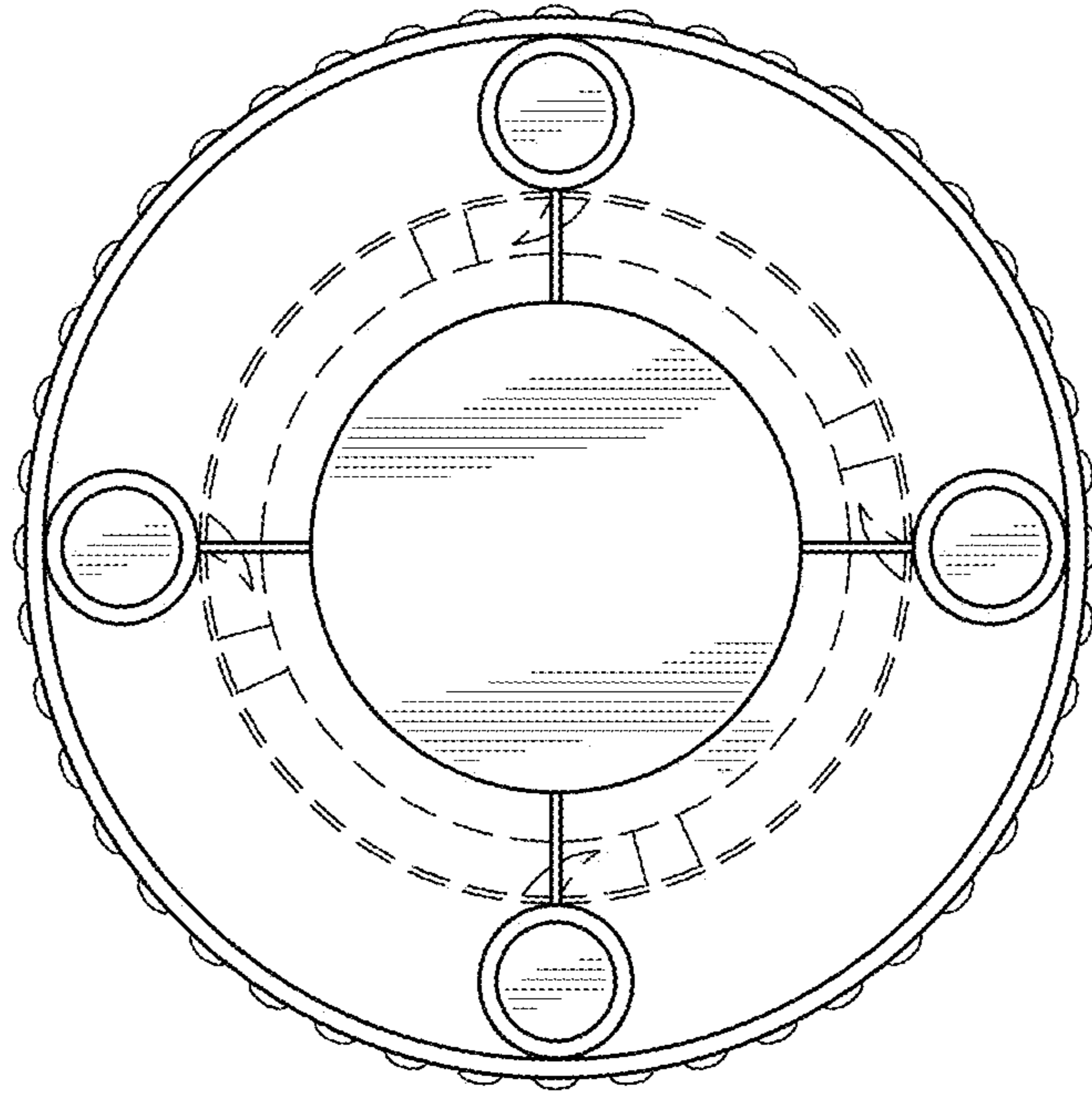
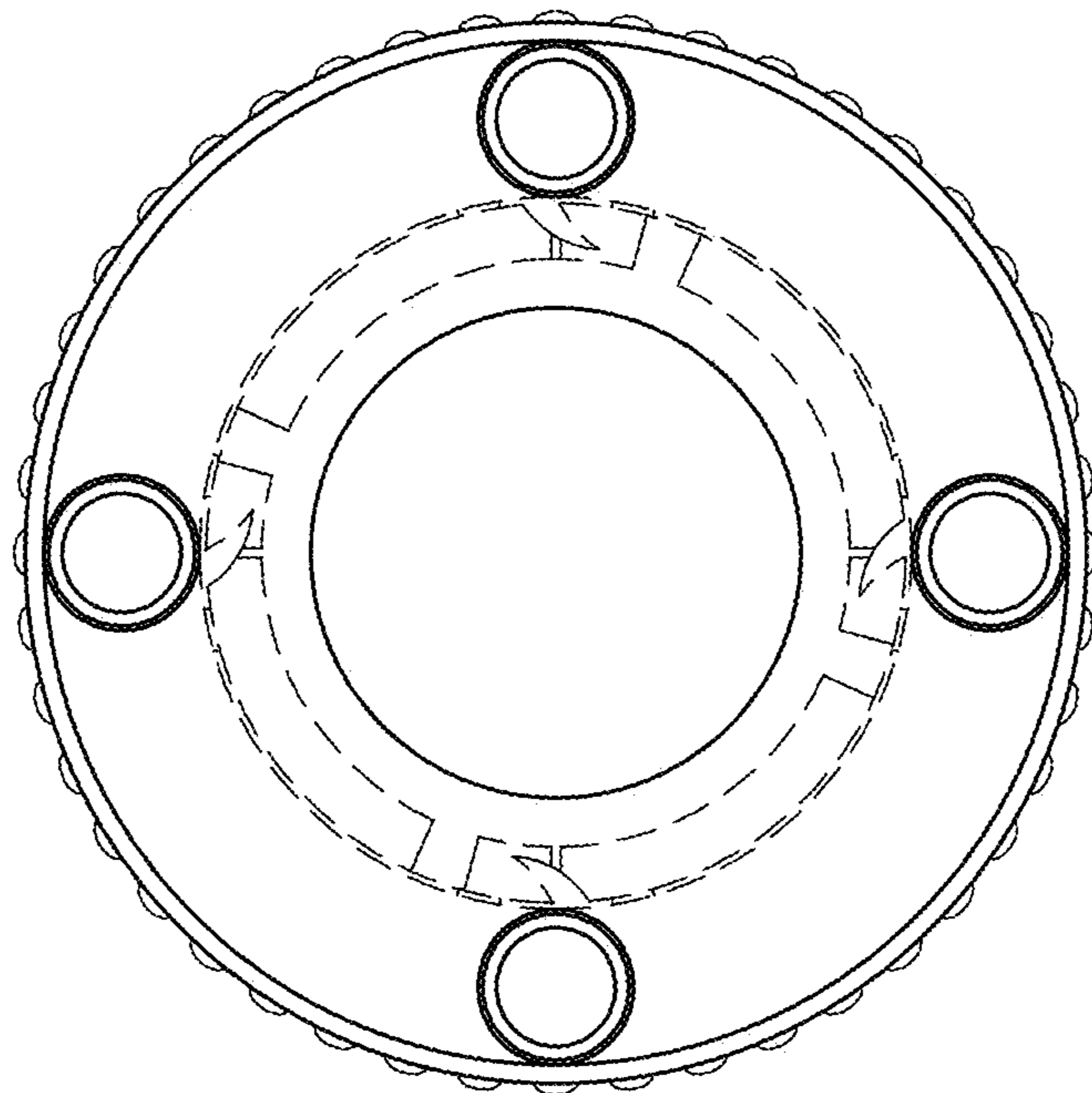


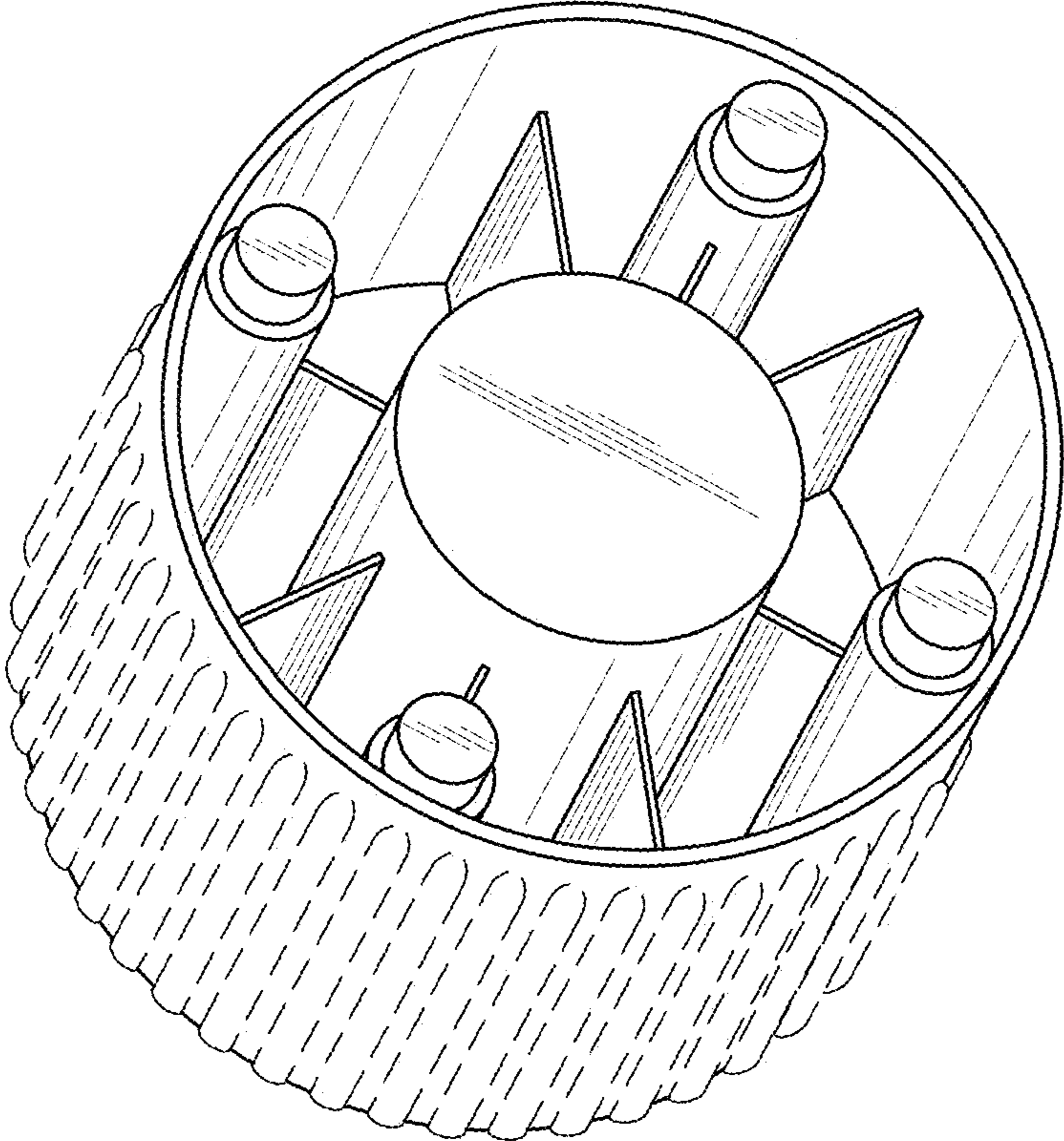
FIG. 6



**FIG. 7**

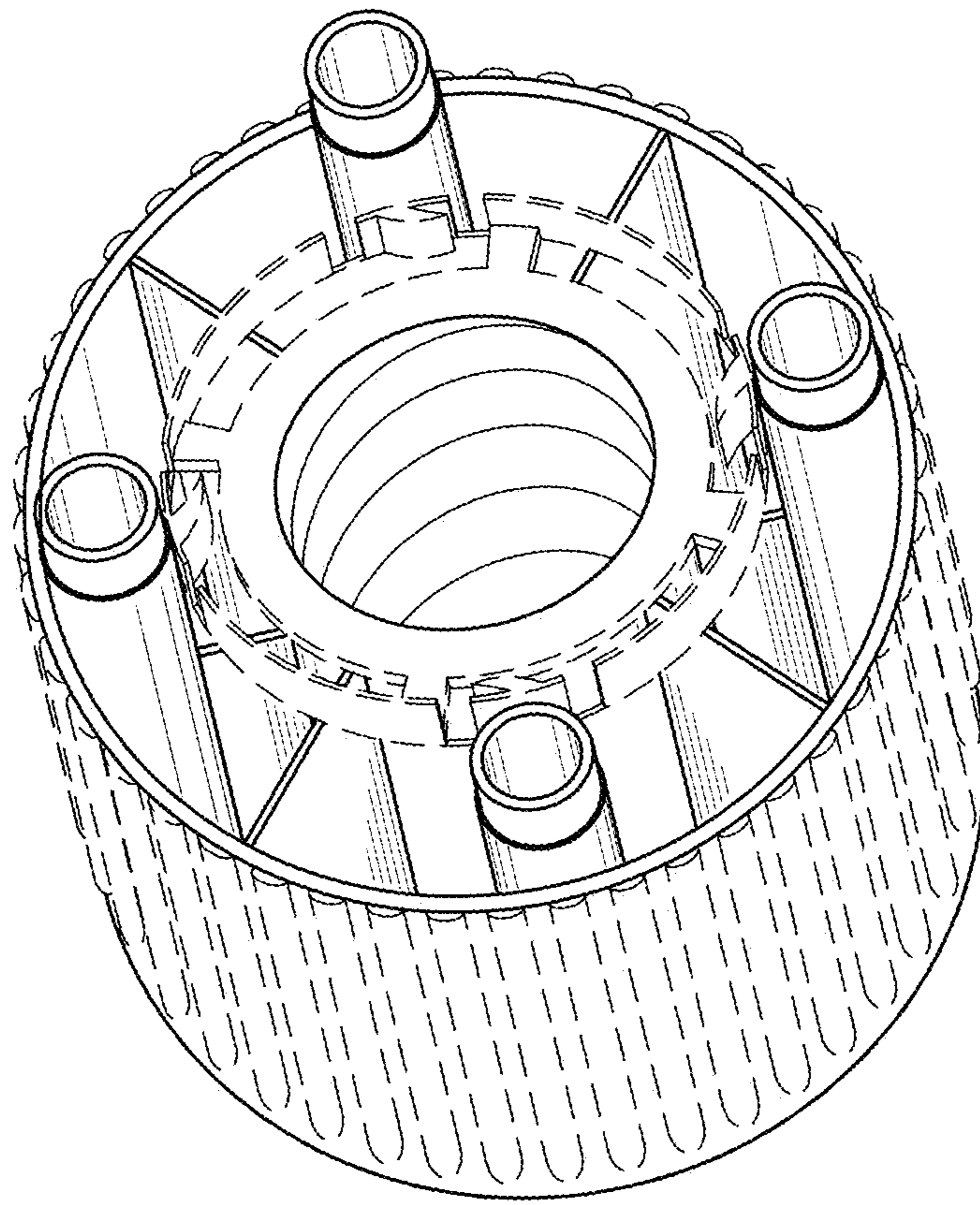


**FIG. 8**

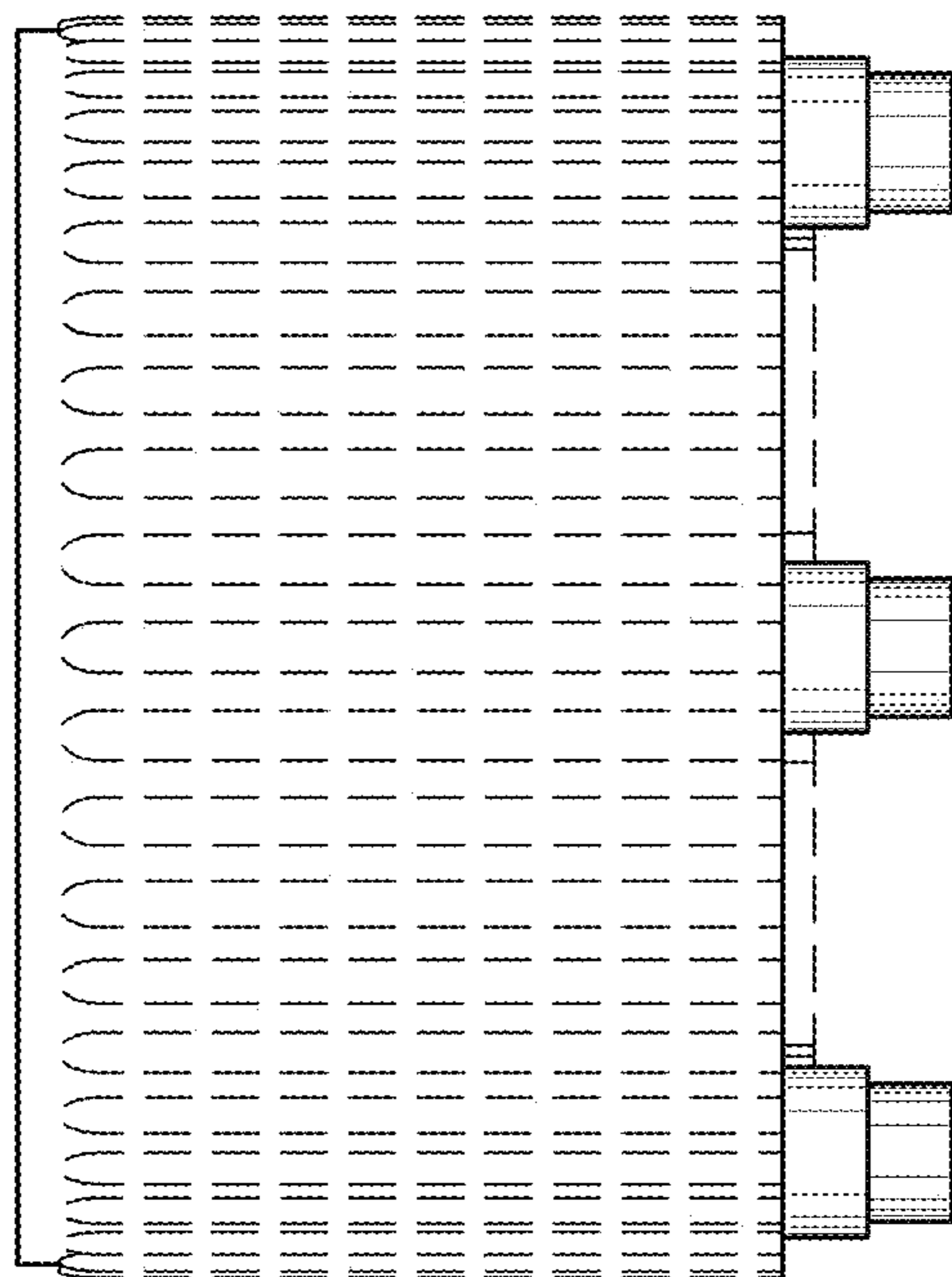


**FIG. 9**

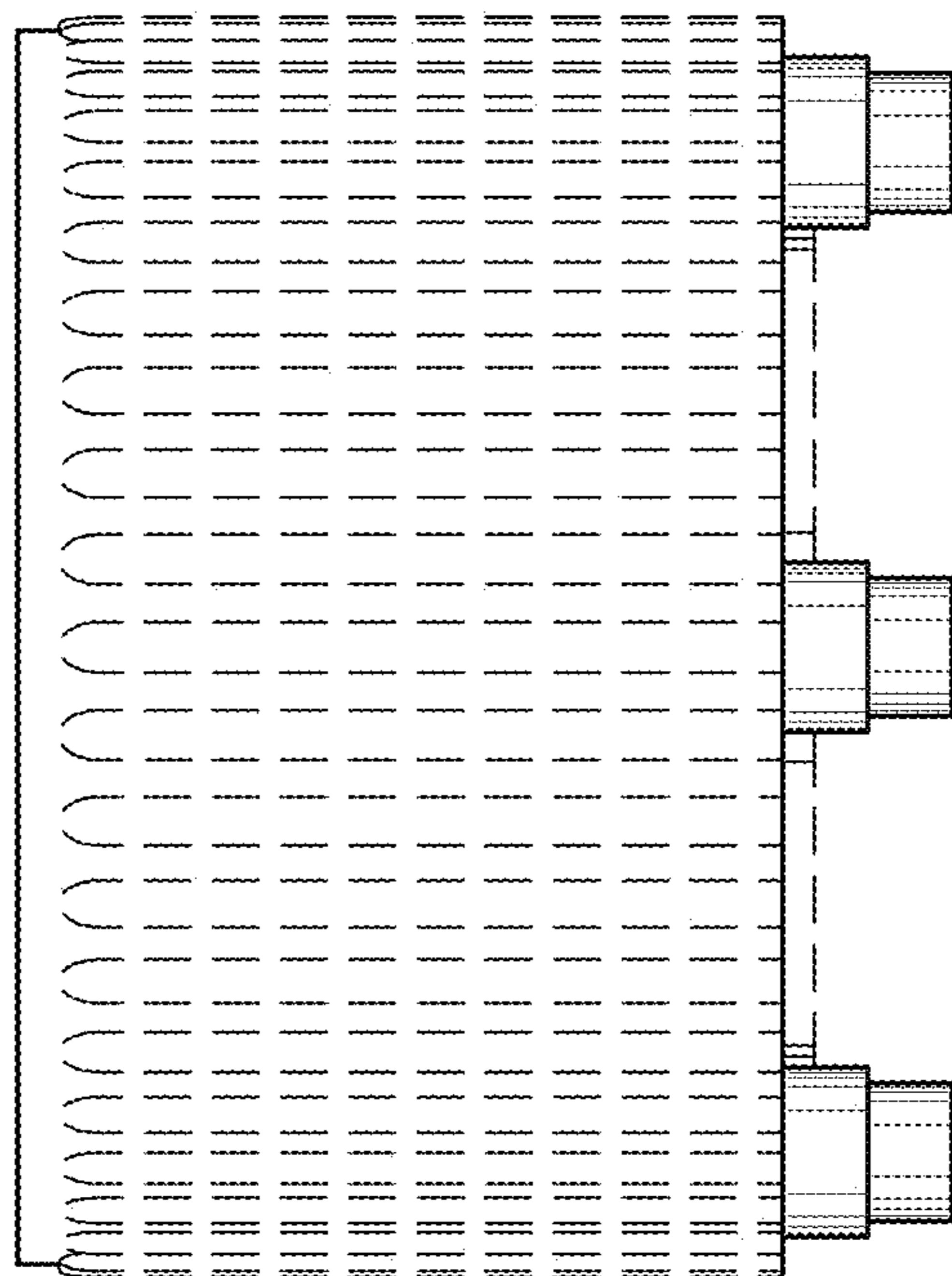




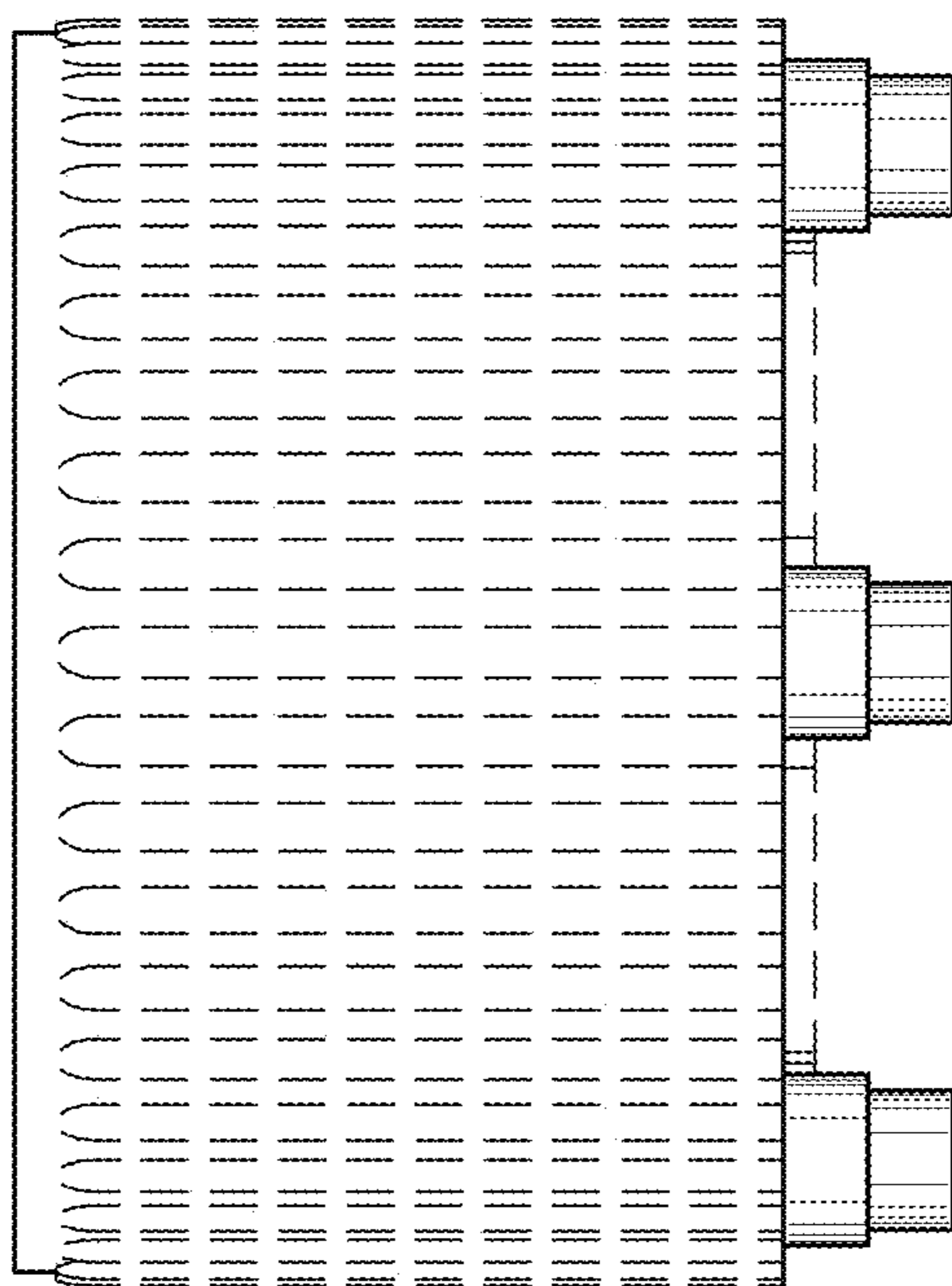
**FIG. 10**



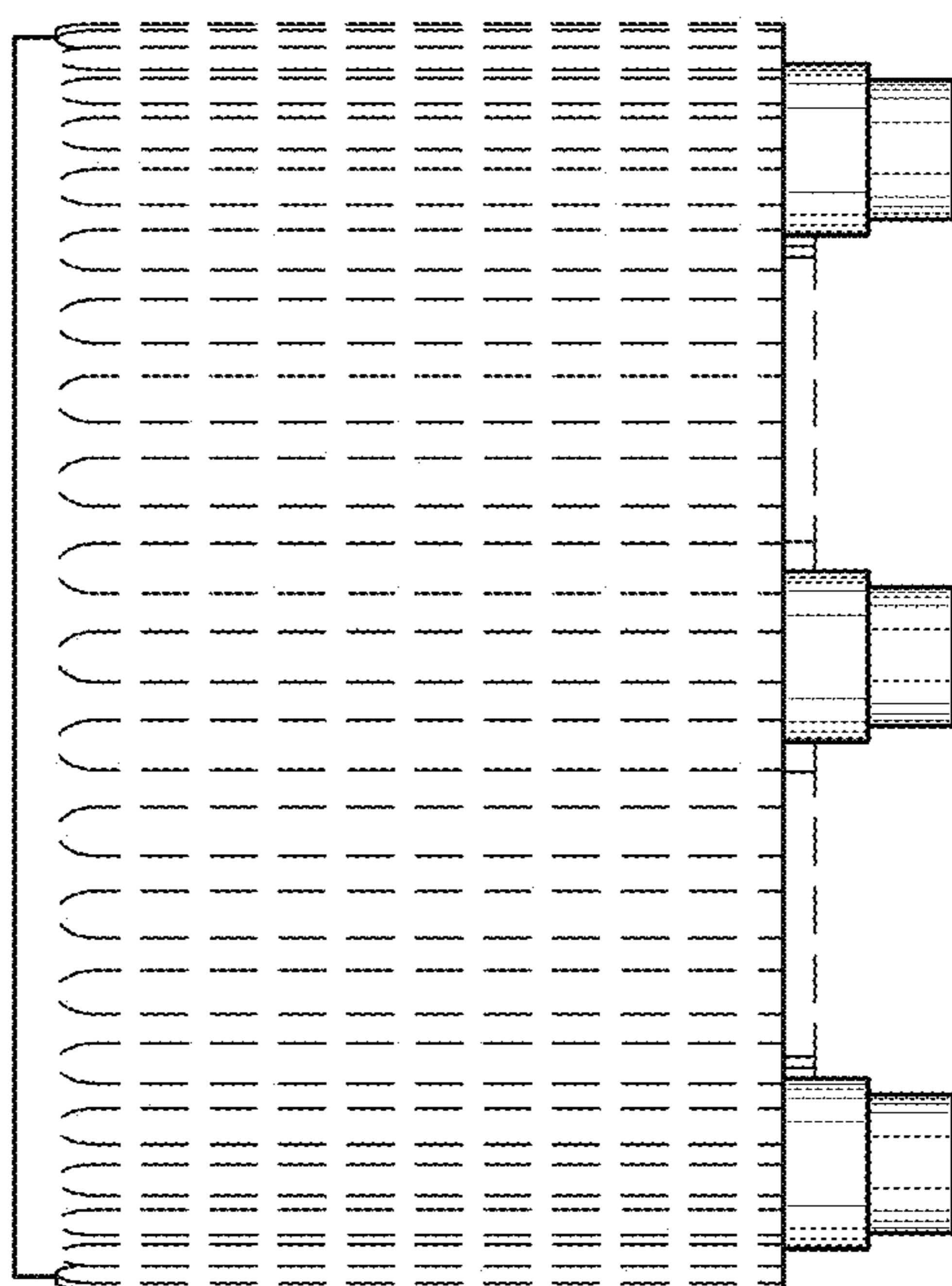
**FIG. 11**



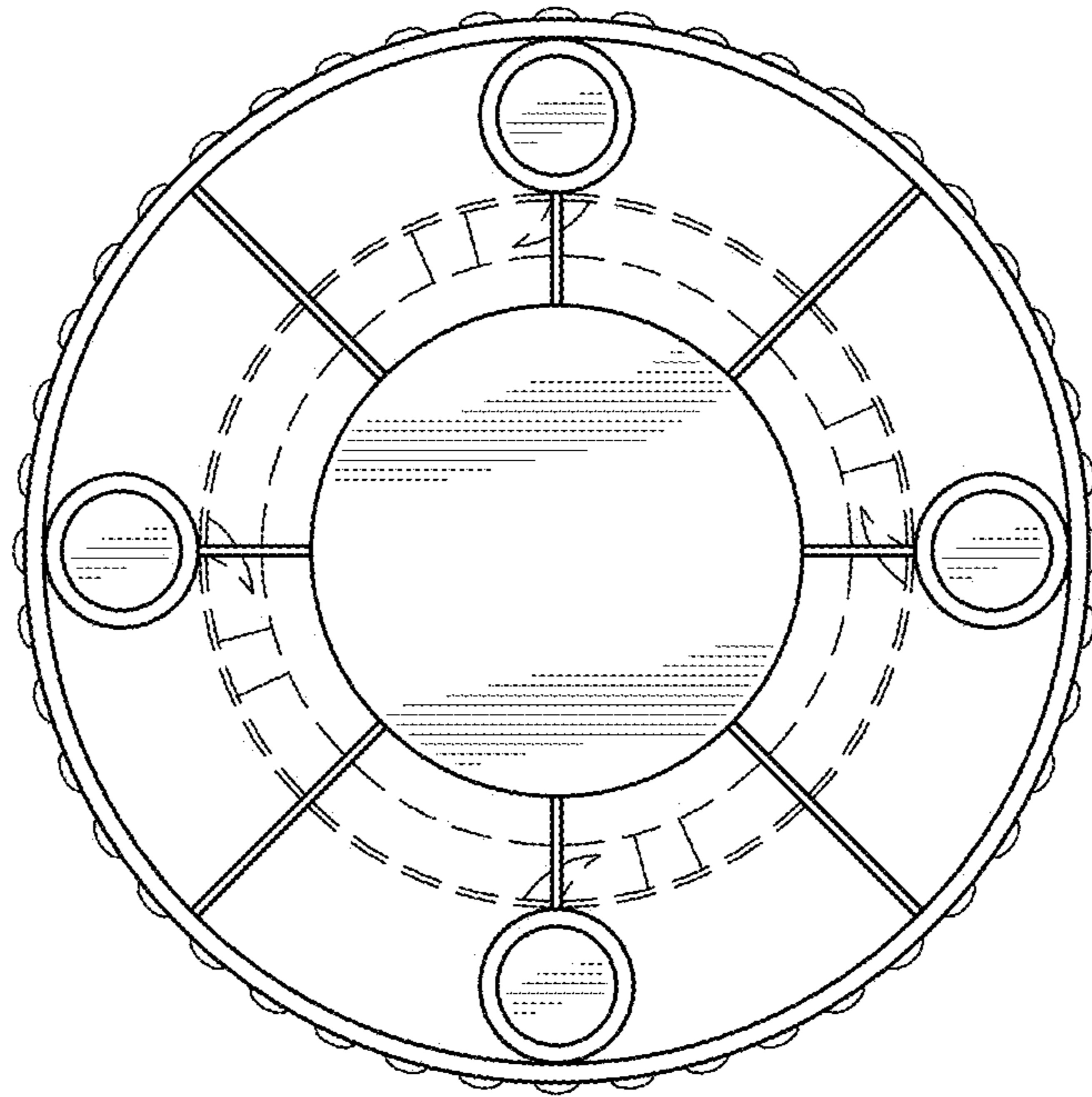
**FIG. 12**



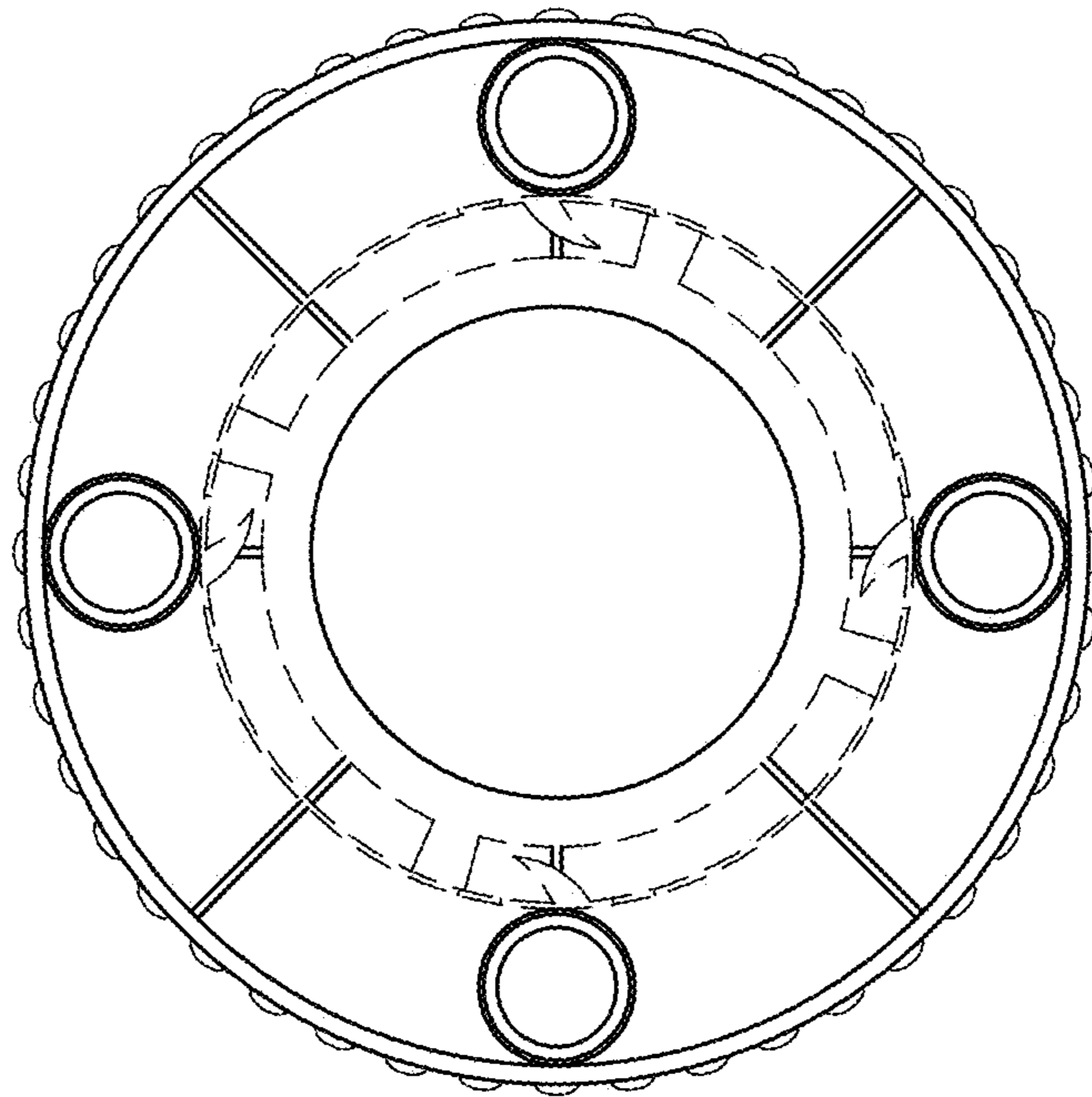
**FIG. 13**



**FIG. 14**



**FIG. 15**



**FIG. 16**