



US00D736624S

(12) **United States Design Patent**  
**Berlepsch**

(10) **Patent No.:** **US D736,624 S**

(45) **Date of Patent:** **\*\* Aug. 18, 2015**

(54) **CAP**  
(71) Applicant: **The Procter & Gamble Company,**  
Cincinnati, OH (US)  
(72) Inventor: **Joseph Allen Berlepsch,** Hamilton, OH  
(US)

(73) Assignee: **The Procter & Gamble Company,**  
Cincinnati, OH (US)

(\*\*) Term: **14 Years**

(21) Appl. No.: **29/493,688**

(22) Filed: **Jun. 12, 2014**

(51) **LOC (10) Cl.** ..... **09-03**

(52) **U.S. Cl.**  
USPC ..... **D9/451**

(58) **Field of Classification Search**  
USPC ..... D7/510-511, 514-520, 604, 613, 619.2,  
D7/623, 628, 527, 392, 392.1; D9/600,  
D9/655-664, 434-435, 439, 441,  
D9/451-454; 206/457, 527, 540; 220/890  
CPC ..... B65D 51/245; B65D 5/4258; B65D  
2203/00; B65D 2203/02; B65D 81/60; B65D  
81/365; B65D 81/366; B65D 81/368  
See application file for complete search history.

(56) **References Cited**

**U.S. PATENT DOCUMENTS**

D337,264 S \* 7/1993 Paglina ..... D9/661  
D337,267 S \* 7/1993 Paglina ..... D9/661  
D338,157 S \* 8/1993 Desgrippes ..... D9/663  
D352,906 S \* 11/1994 Gobe ..... D9/663  
D353,773 S \* 12/1994 Desgrippes ..... D9/451  
D534,427 S \* 1/2007 Crawford ..... D9/453  
D535,879 S \* 1/2007 Crawford et al. .... D9/451

D546,684 S \* 7/2007 Crawford et al. .... D9/451  
D598,284 S \* 8/2009 Floyd et al. .... D9/451  
D612,239 S \* 3/2010 Marotti et al. .... D9/452  
D638,295 S \* 5/2011 Heidel et al. .... D9/454  
D682,694 S \* 5/2013 van den Hoonaard ..... D9/451  
D703,051 S \* 4/2014 Riley et al. .... D9/503  
D704,556 S \* 5/2014 van den Hoonaard ..... D9/451

\* cited by examiner

*Primary Examiner* — Sandra Morris

(74) *Attorney, Agent, or Firm* — James F. McBride; Steven  
W. Miller

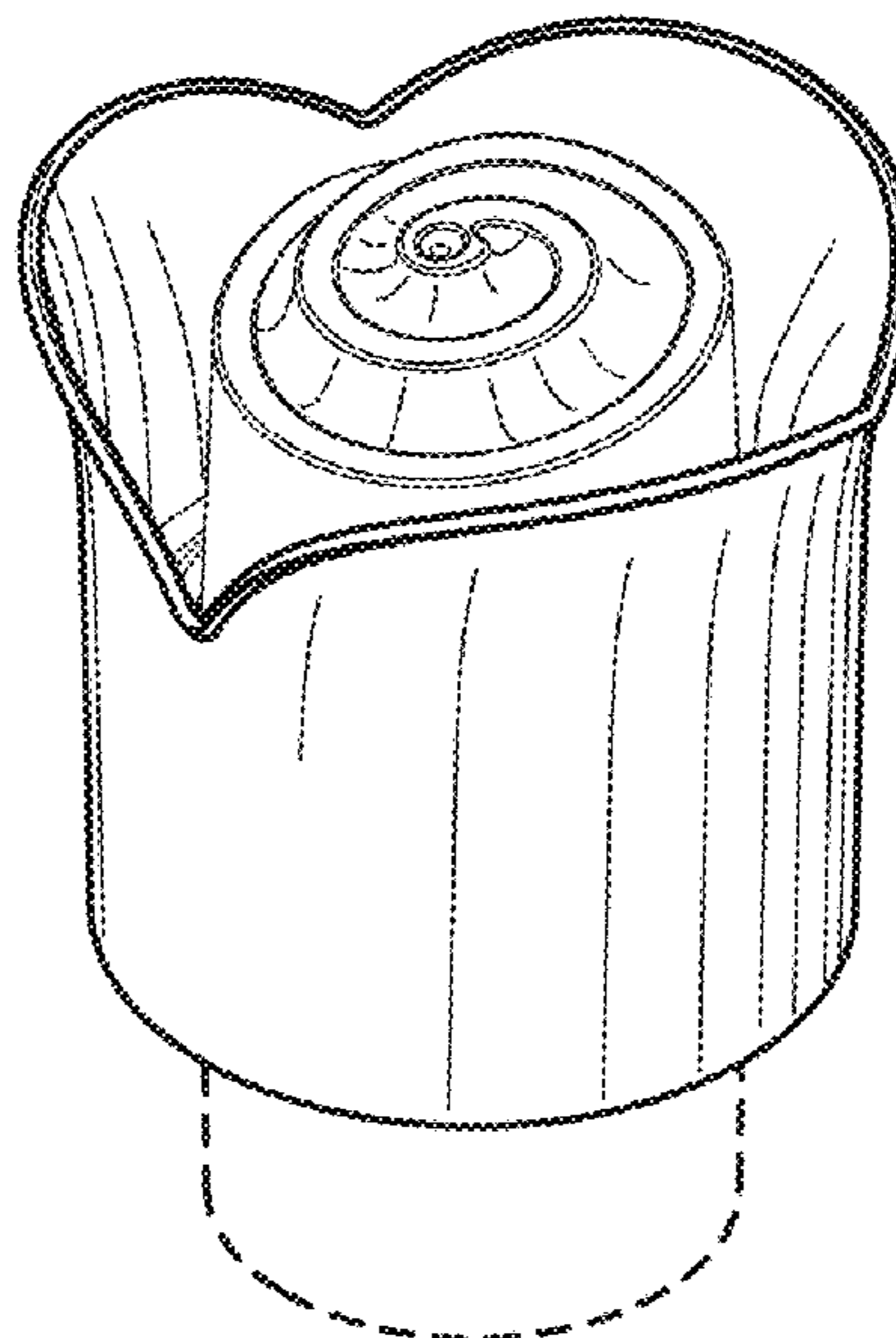
(57) **CLAIM**

The ornamental design for a cap, as shown and described.

**DESCRIPTION**

FIG. 1 is a perspective view of an embodiment of a cap;  
FIG. 2 is a front view of the cap of FIG. 1;  
FIG. 3 is a back view of the cap of FIG. 1;  
FIG. 4 is a side view of the cap of FIG. 1;  
FIG. 5 is a side view of the cap of FIG. 1, opposite the side  
view shown in FIG. 4;  
FIG. 6 is a top view of the cap of FIG. 1; and  
FIG. 7 is a bottom view of the cap of FIG. 1;  
FIG. 8 is a perspective view of a second embodiment of a cap;  
FIG. 9 is a front view of the cap of FIG. 8;  
FIG. 10 is a back view of the cap of FIG. 8;  
FIG. 11 is a side view of the cap of FIG. 8;  
FIG. 12 is a side view of the cap of FIG. 8, opposite the side  
view shown in FIG. 11;  
FIG. 13 is a top view of the cap of FIG. 8; and,  
FIG. 14 is a bottom view of the cap of FIG. 8.  
The broken line showing is for illustrative purposes only, and  
forms no part of the claimed design.

**1 Claim, 2 Drawing Sheets**



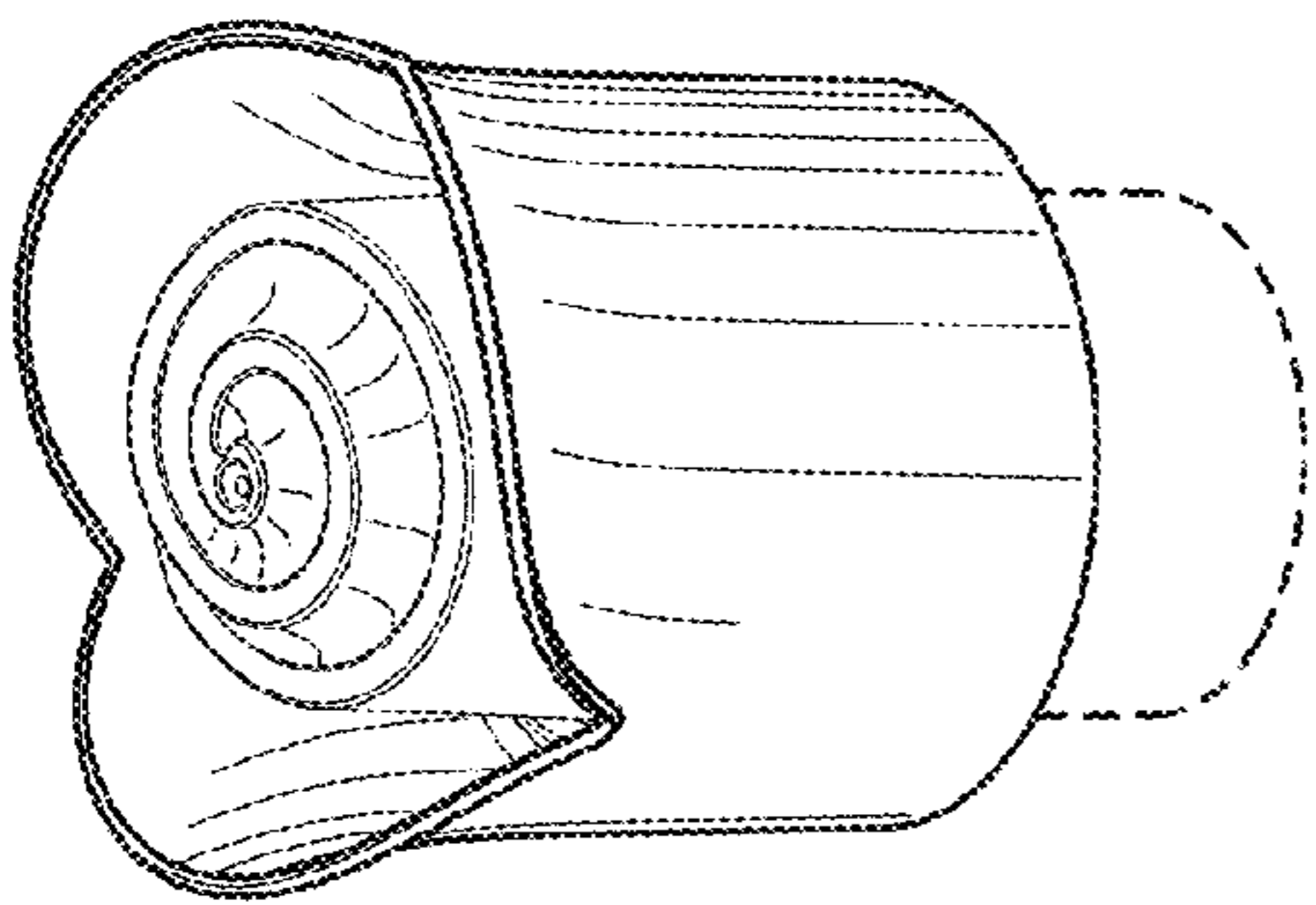


Fig. 1

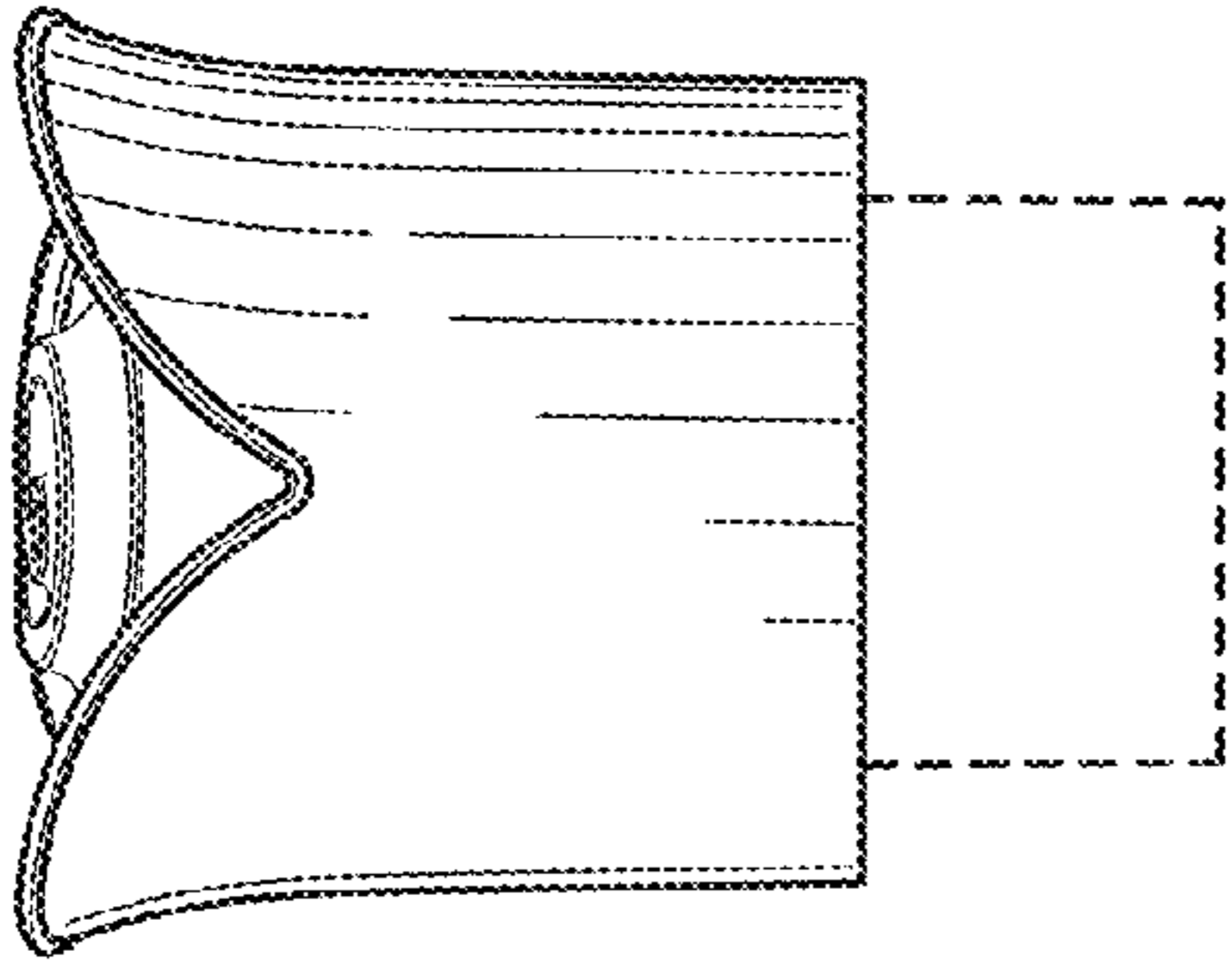


Fig. 2

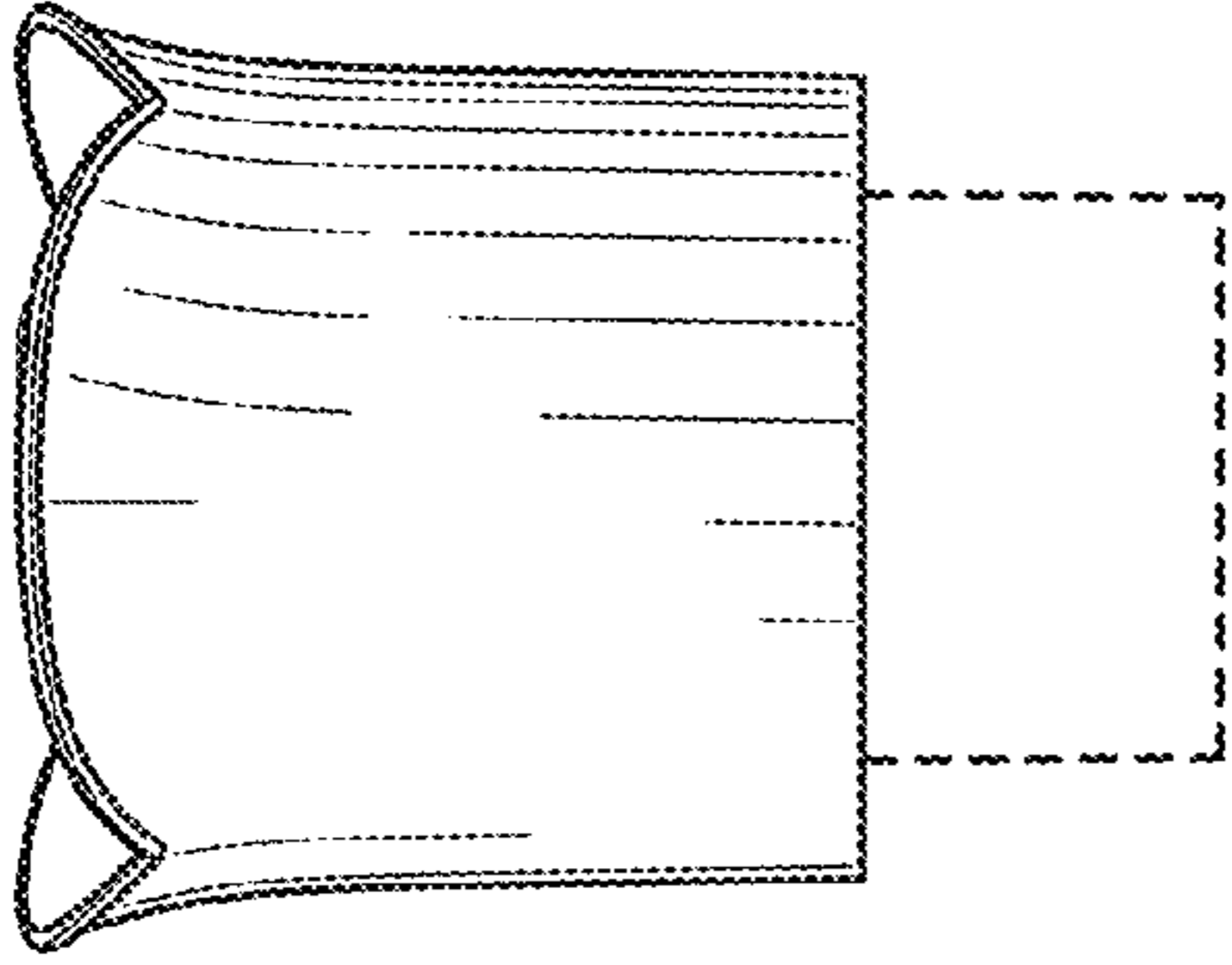


Fig. 3

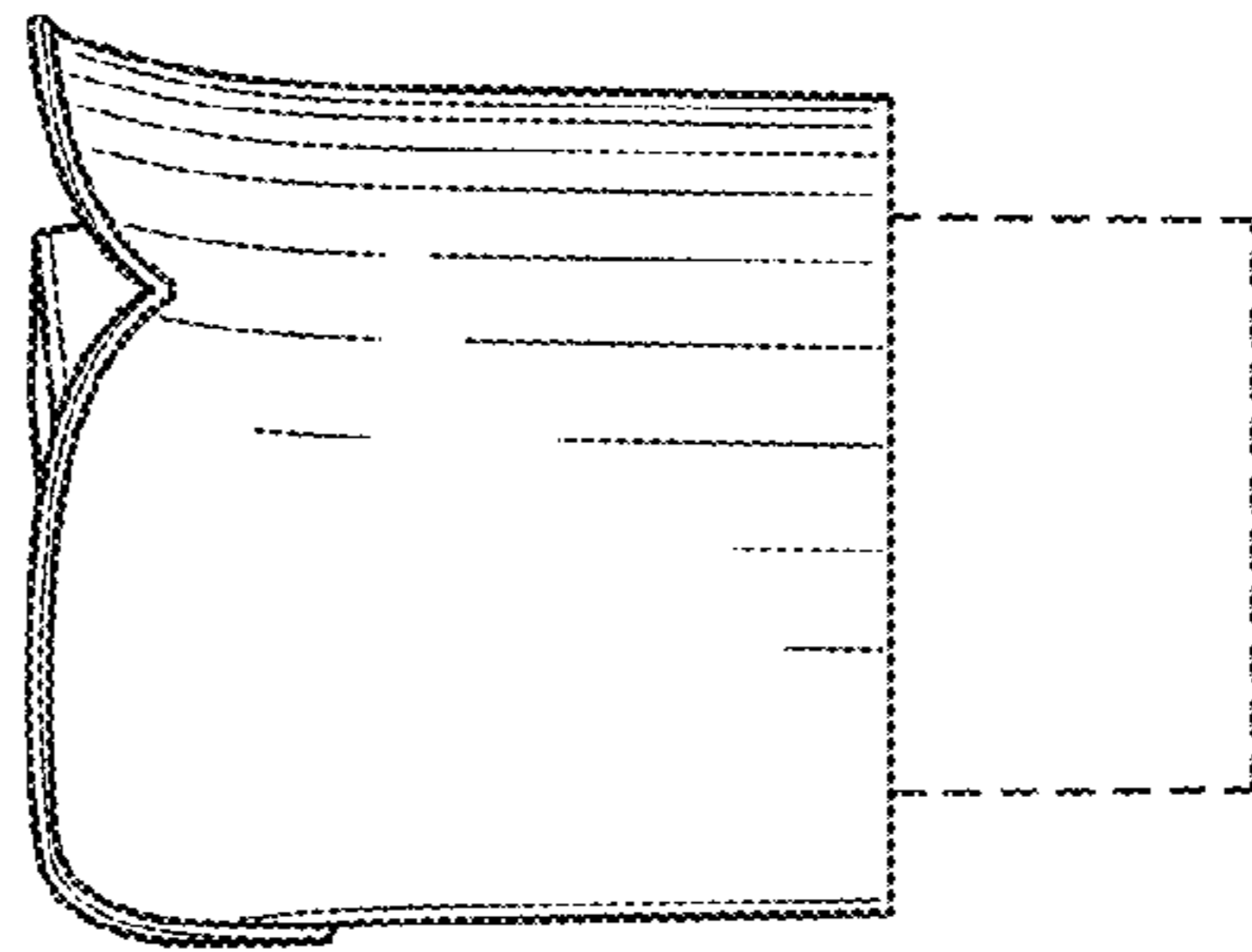


Fig. 4

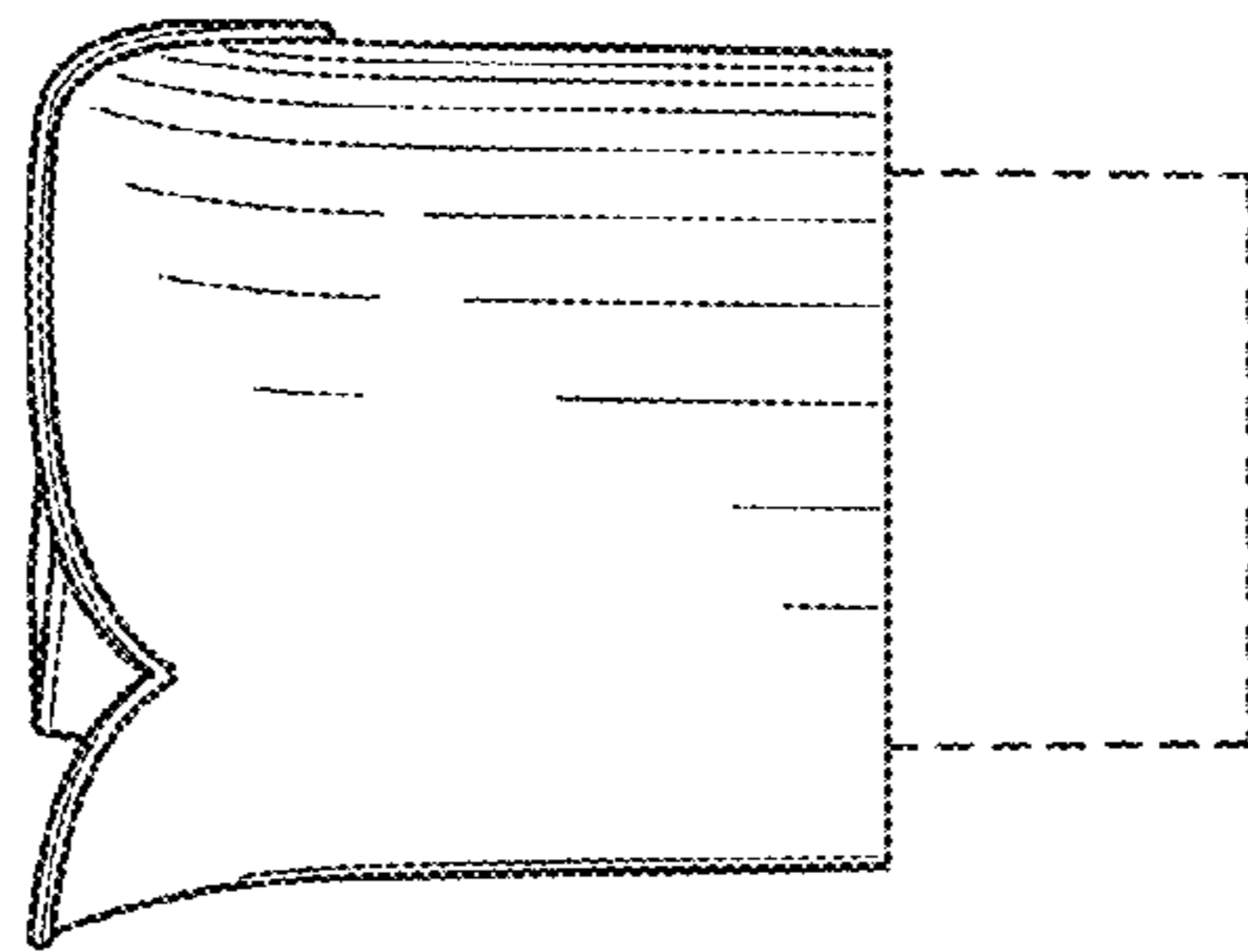


Fig. 5

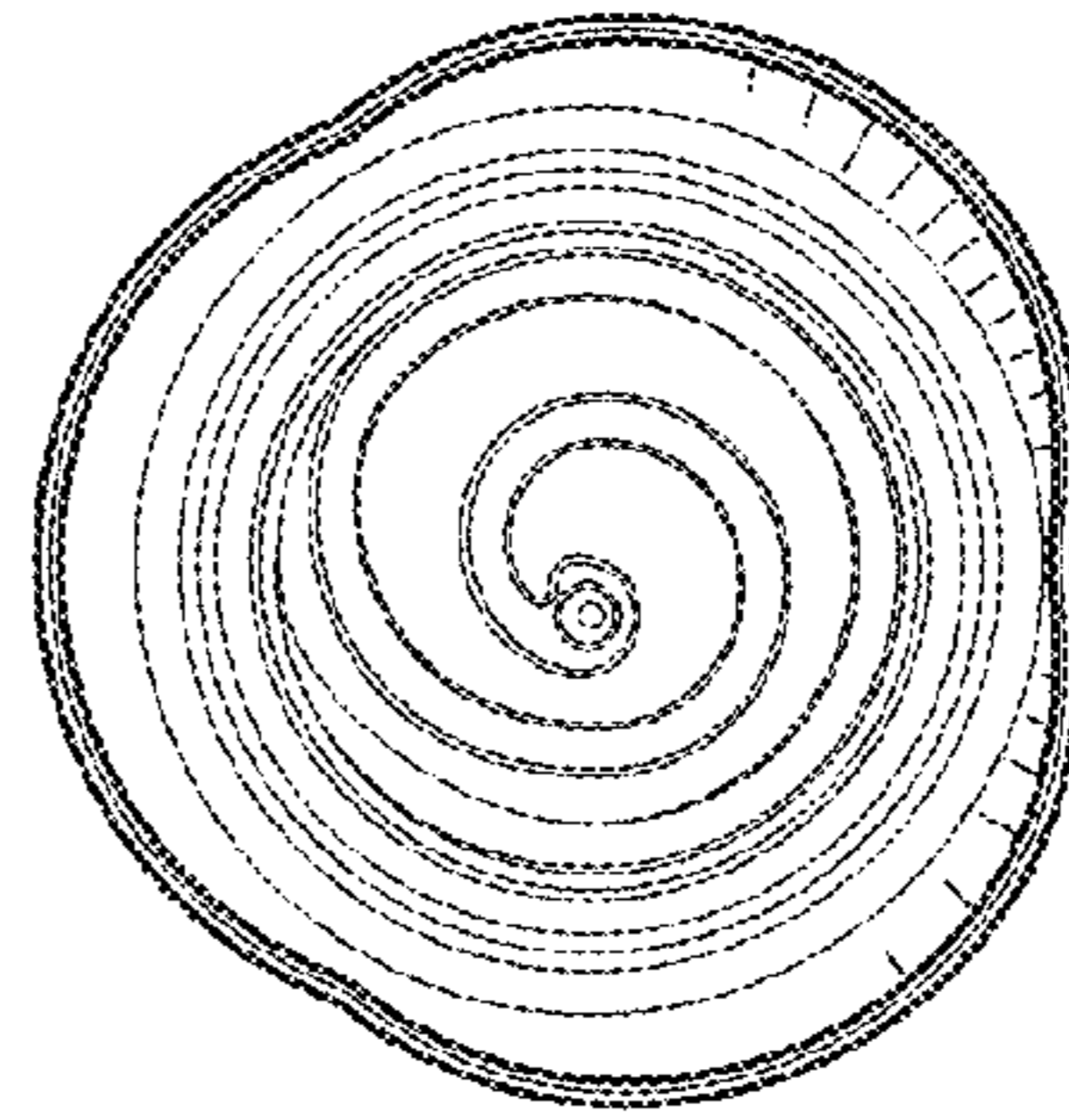


Fig. 6

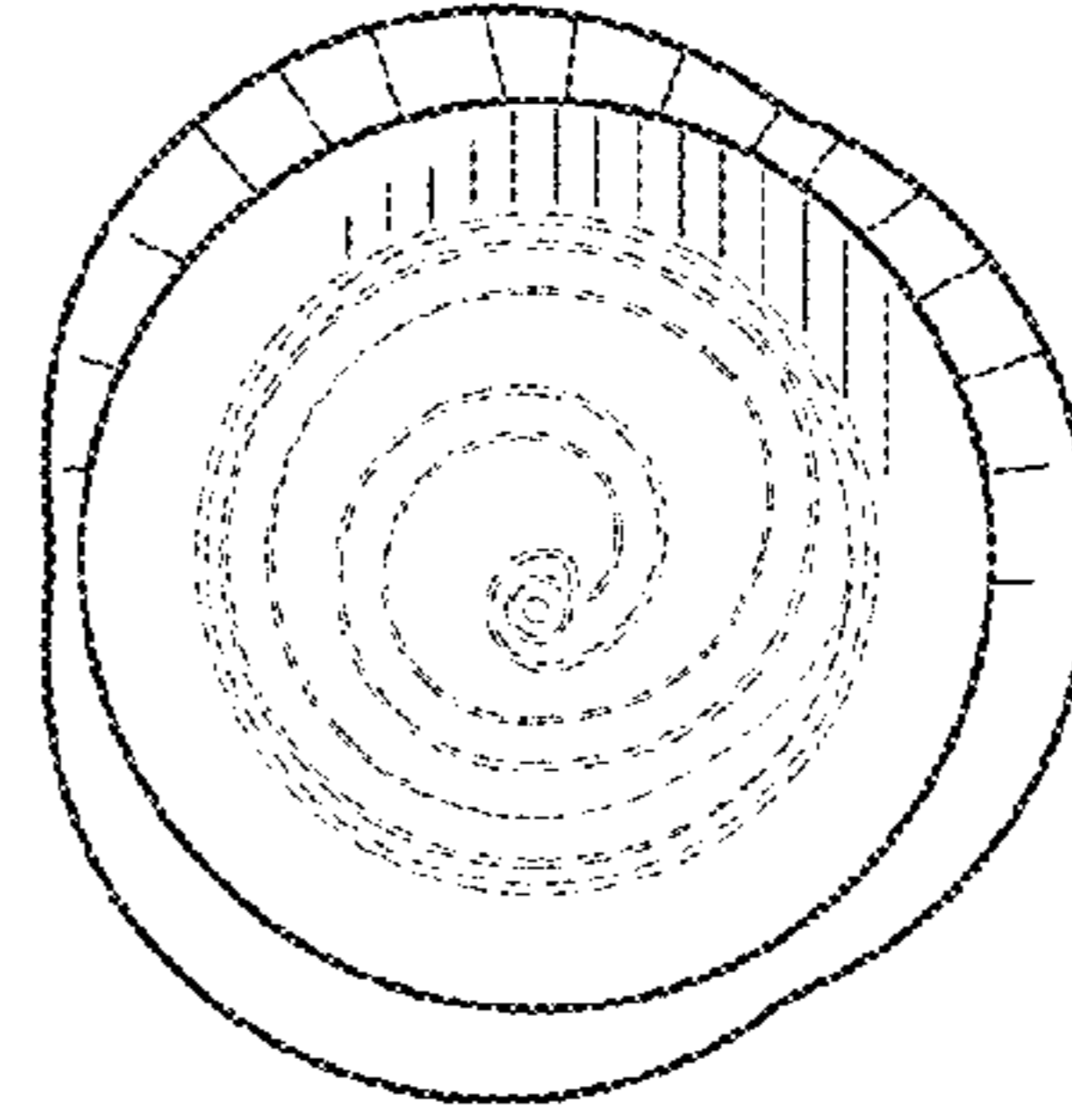


Fig. 7

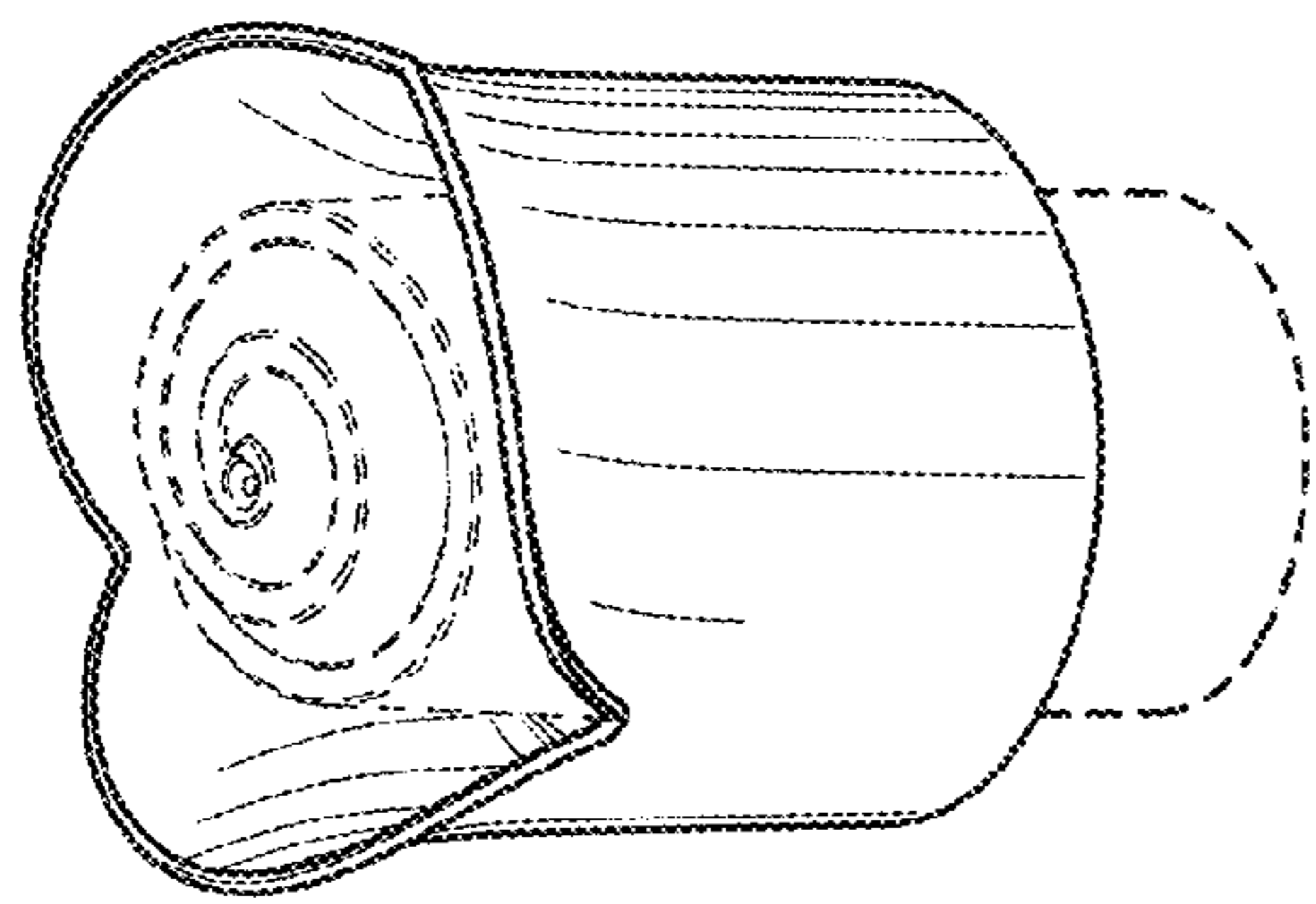


Fig. 8

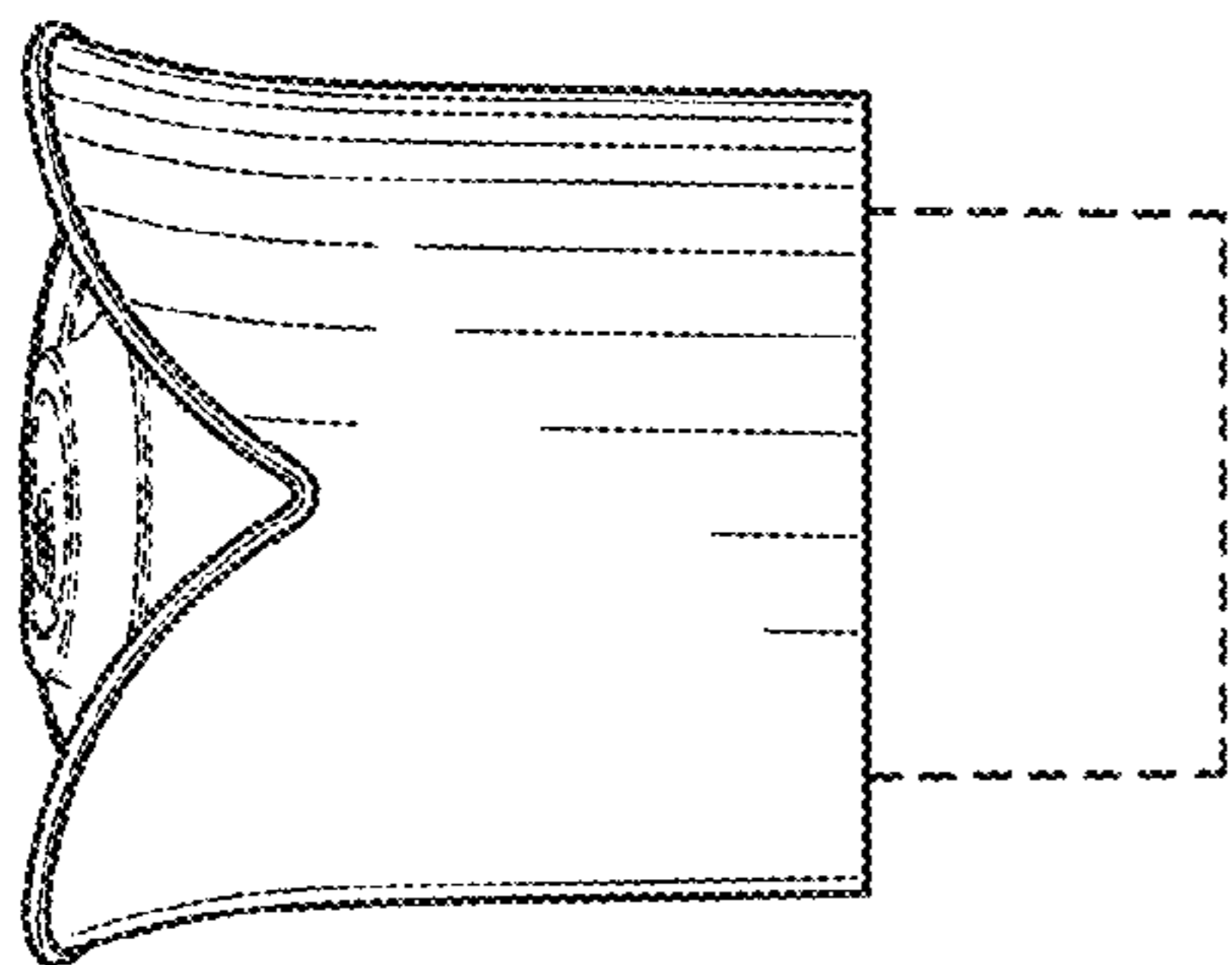


Fig. 9

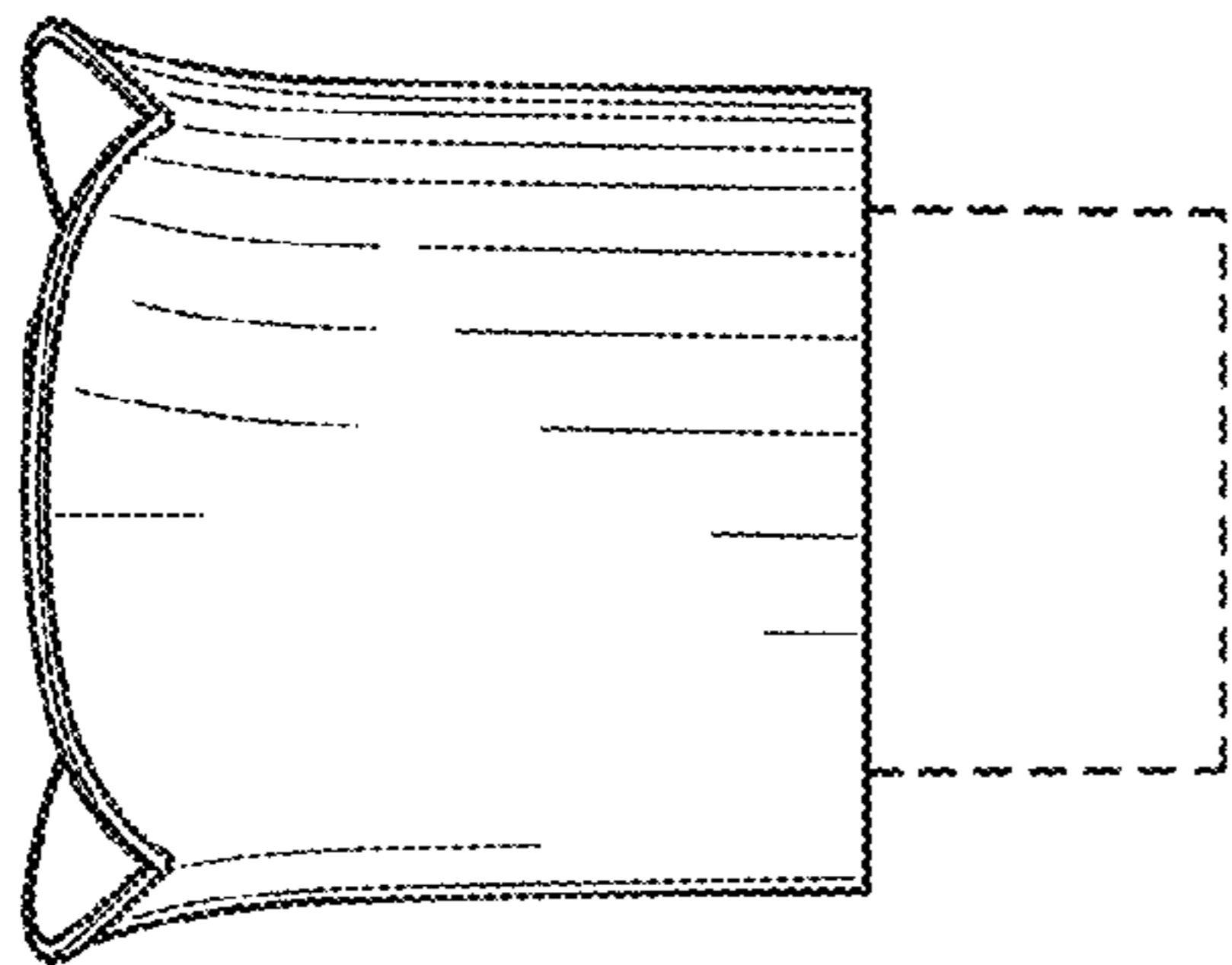


Fig. 10

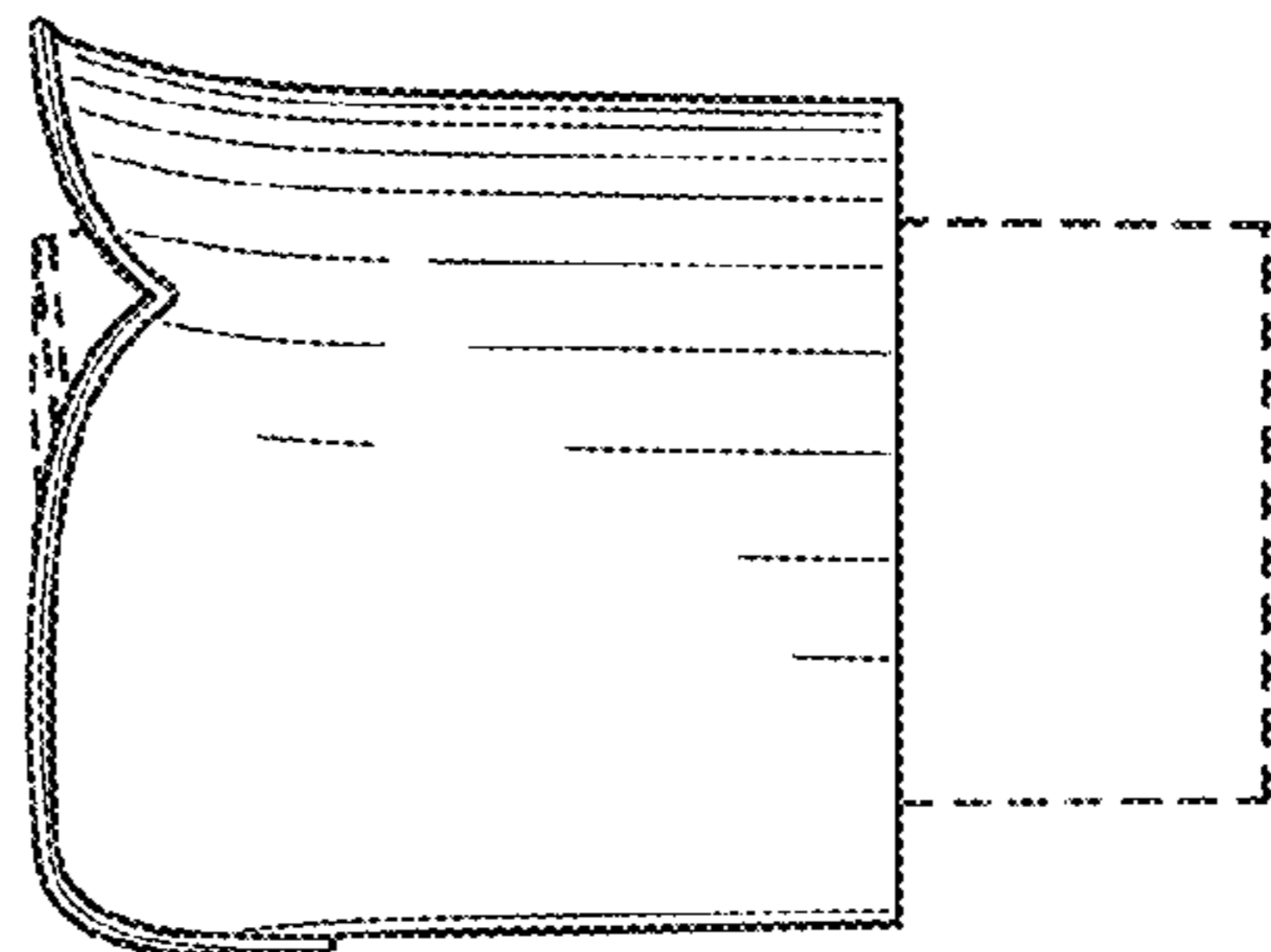


Fig. 11

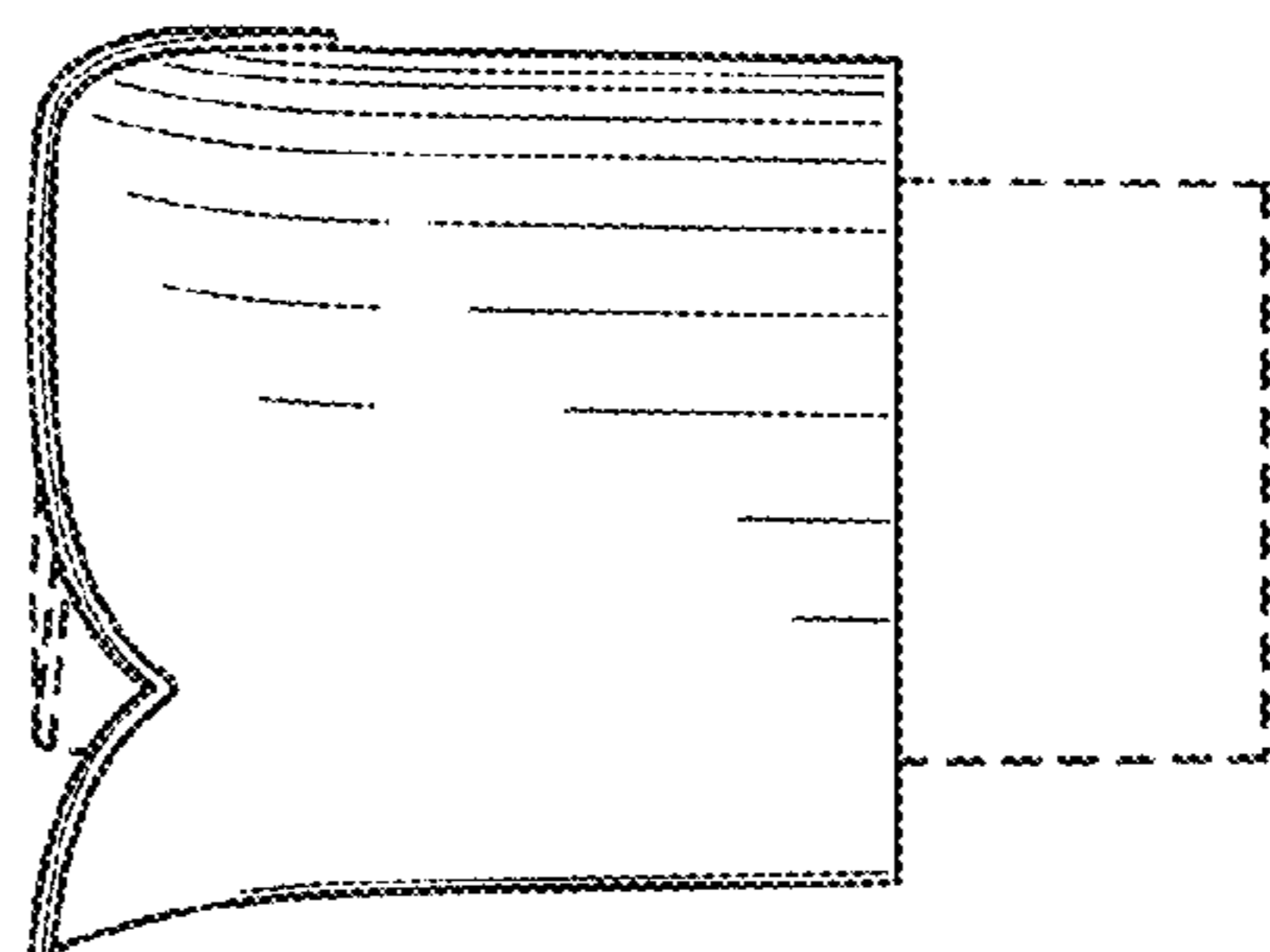


Fig. 12

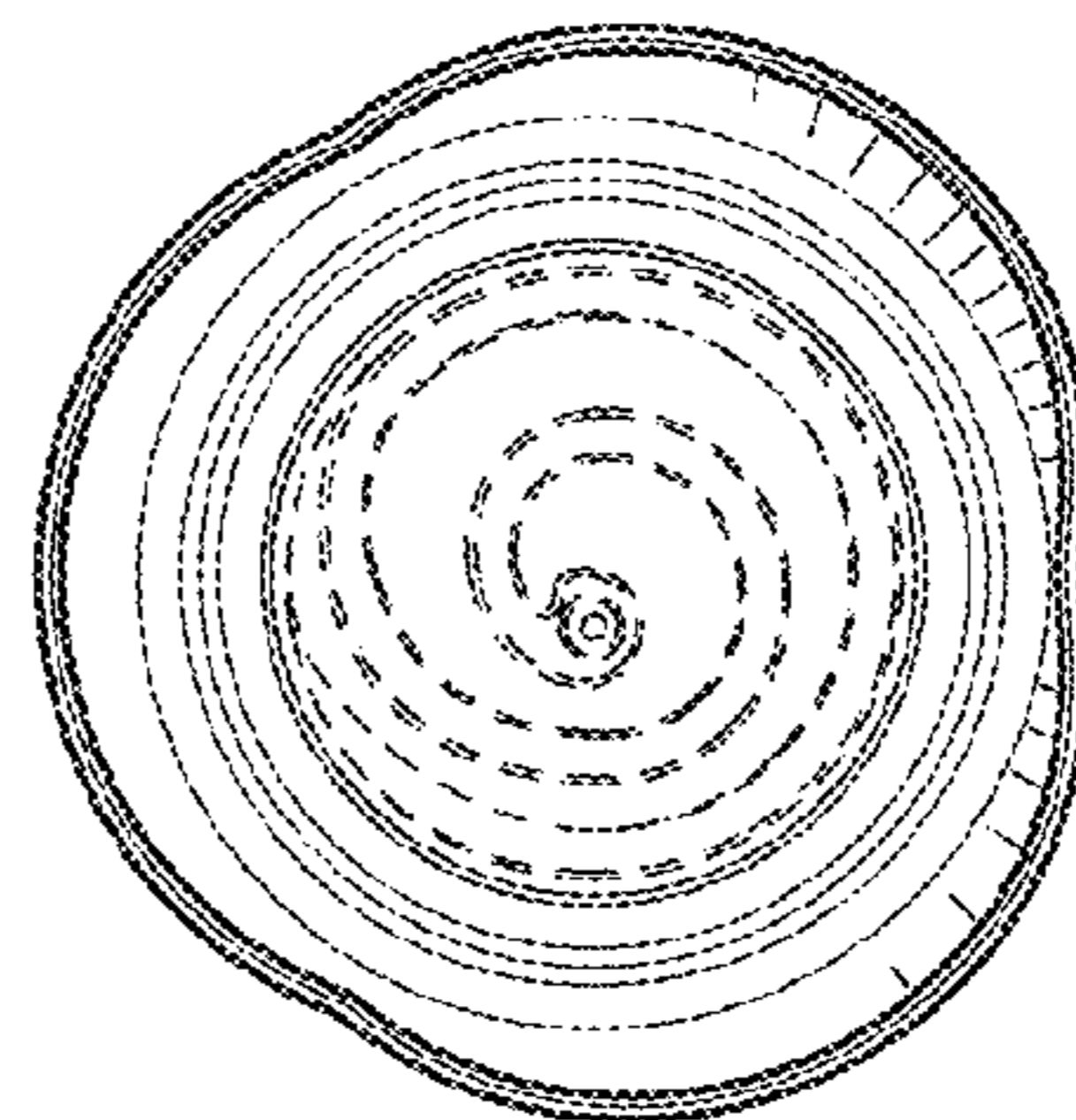


Fig. 13

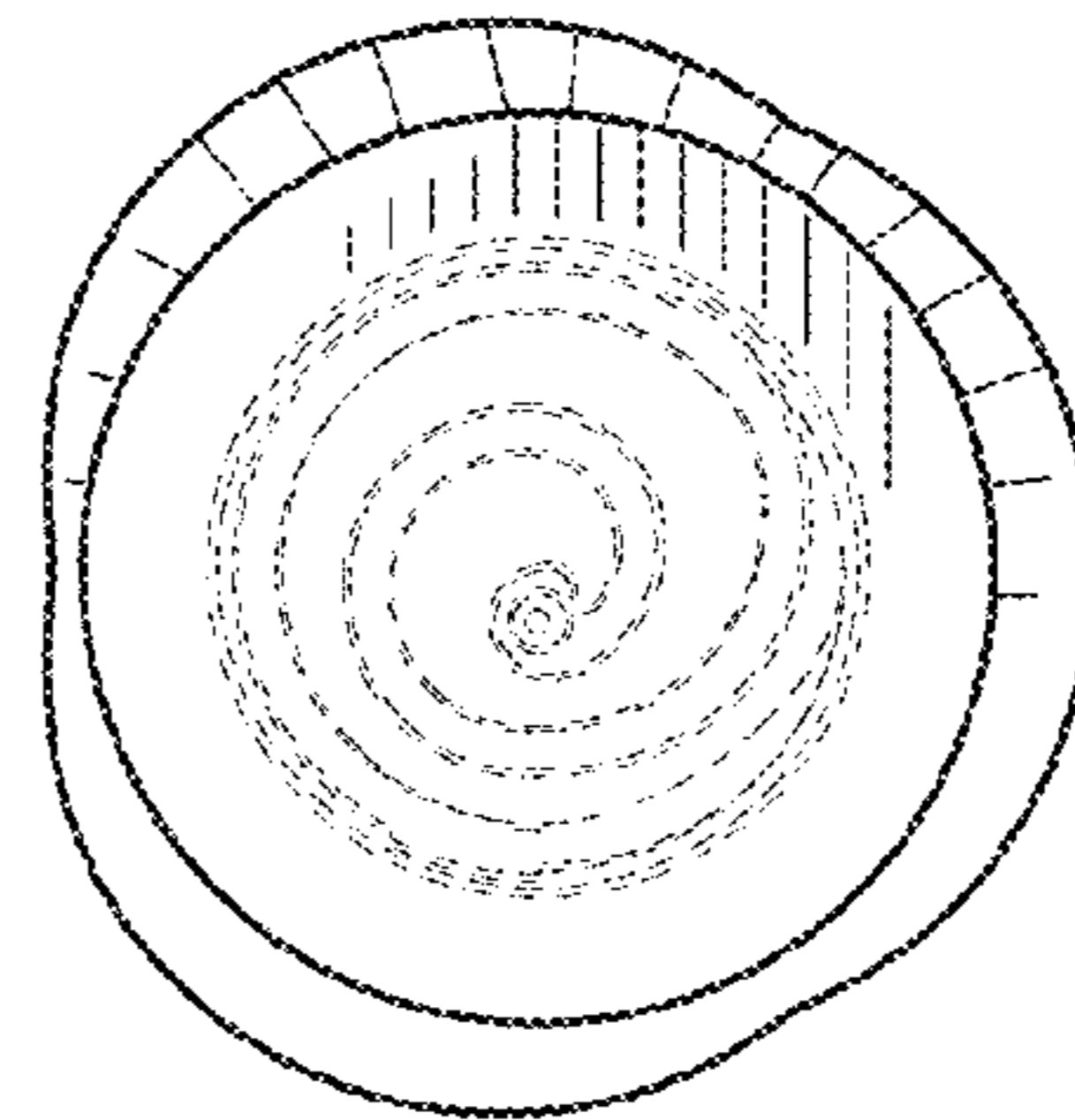


Fig. 14