



US00D736623S

(12) **United States Design Patent**
Brannock

(10) **Patent No.:** **US D736,623 S**

(45) **Date of Patent:** **** Aug. 18, 2015**

- (54) **LID WITH EGG SHAPED BASIN**
- (71) Applicant: **Harl-Bella Holdings, LLC**, San Juan Capistrano, CA (US)
- (72) Inventor: **Samuel Lincoln Brannock**, San Juan Capistrano, CA (US)
- (73) Assignee: **Harl-Bella Holdings, LLC**, San Juan Capistrano, CA (US)

3,302,858 A 2/1967 Miller
 3,341,062 A 9/1967 Phillips
 3,727,808 A 4/1973 Fitzgerald
 3,730,399 A 5/1973 Dibrell

(Continued)

FOREIGN PATENT DOCUMENTS

AU 2007100927 A4 11/2007
 CA 1236426 5/1988

(Continued)

OTHER PUBLICATIONS

- (**) Term: **14 Years**
- (21) Appl. No.: **29/485,228**
- (22) Filed: **Mar. 17, 2014**

The Geo Lid; Green Bean Packaging, LLC; www.thegeolid.com; Web; 2012-2014; retrieved Jan. 2014.

(Continued)

Related U.S. Application Data

- (63) Continuation-in-part of application No. 13/962,878, filed on Aug. 8, 2013, now Pat. No. 8,881,938.
- (51) **LOC (10) Cl.** **09-07**
- (52) **U.S. Cl.**
USPC **D9/447**
- (58) **Field of Classification Search**
USPC D6/452-545; D7/300, 321, 392.1, D7/396.2, 500, 507, 509, 510, 511, 900; D9/434-44, 452-455, 682, 685; 215/200, 235, 236, 252, 254, 329, 215/355-364; 220/203.04-203.07, 220, 220/254.1, 254.4, 556, 703, 704, 705
See application file for complete search history.

Primary Examiner — Robert M Spear
Assistant Examiner — Marissa J Cash
 (74) *Attorney, Agent, or Firm* — Fish & Tsang LLP

(57) **CLAIM**

I claim the ornamental design for a lid with egg shaped basin, as shown and described.

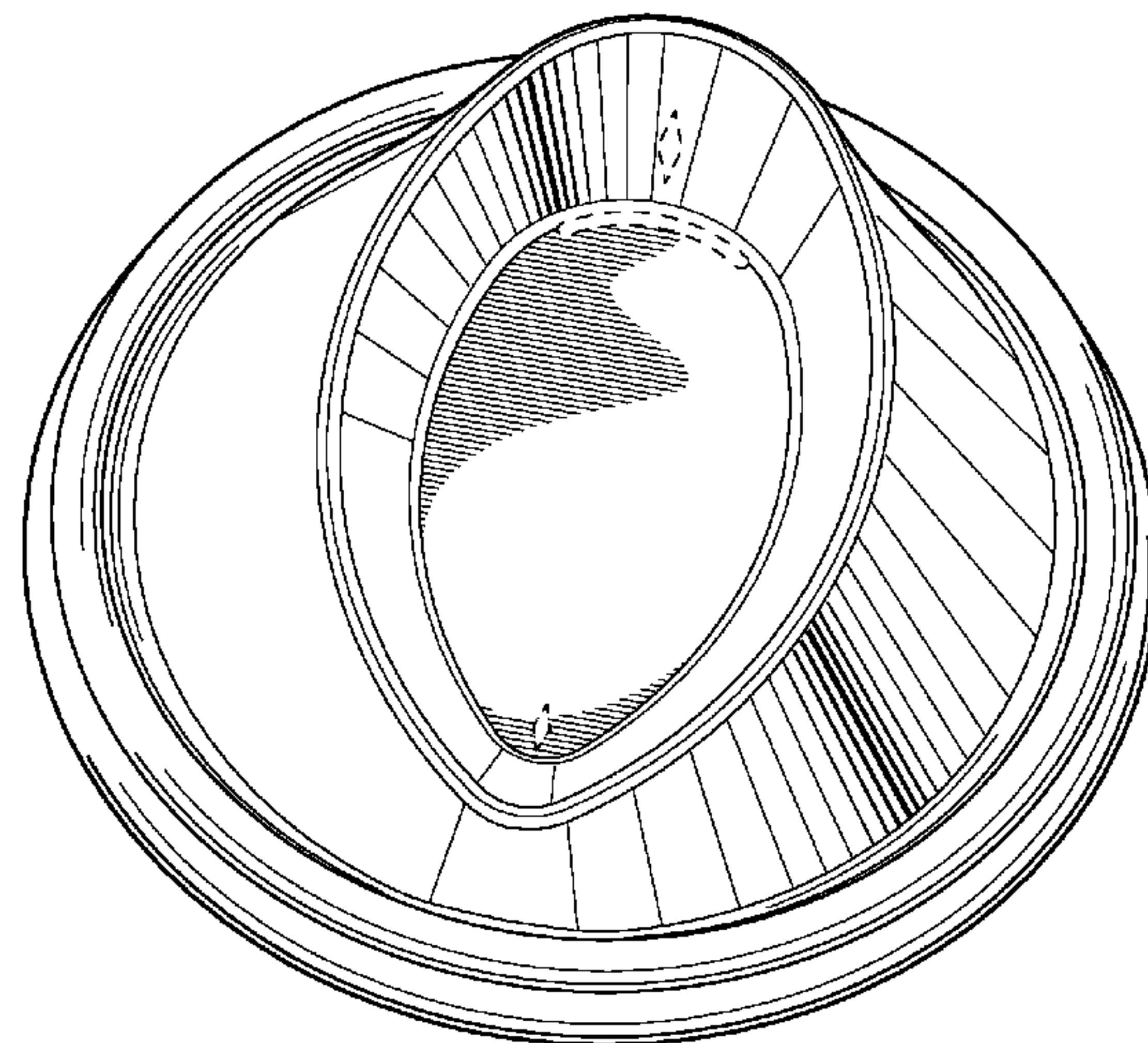
DESCRIPTION

FIG. 1 is a top, rear, left side perspective view.
 FIG. 2 is a front elevation view.
 FIG. 3 is a rear elevation view.
 FIG. 4 is a right side elevation view, the left side elevation view being a mirror image.
 FIG. 5 is a top plan view.
 FIG. 6 is a bottom plan view; and,
 FIG. 7 is a cross section view taken along line 7-7 of FIG. 3.
 The dominant features of my design reside in the lid's basin, which is egg or oval shaped. The broken lines in the drawings represent unclaimed environmental subject matter and form no part of the claim.

1 Claim, 3 Drawing Sheets

(56) **References Cited**
U.S. PATENT DOCUMENTS

562,440 A 6/1896 Vanderall
 2,003,657 A 6/1935 Stubblefield
 2,600,478 A 6/1952 Campomar
 2,646,670 A 7/1953 Spalding
 2,661,889 A 12/1953 Phinney
 2,753,049 A 7/1956 Gaines
 3,090,542 A 5/1963 Miller



(56)

References Cited

U.S. PATENT DOCUMENTS

3,777,968	A	12/1973	Law	5,503,289	A	4/1996	Fox	
3,800,999	A	4/1974	Serritella	5,540,350	A	7/1996	Lansky	
3,806,023	A	4/1974	Barnett	D373,927	S	9/1996	Kramer	
3,860,162	A	1/1975	Schutz	5,613,619	A	3/1997	Van Melle	
3,868,043	A	2/1975	Freemyer	D382,203	S	8/1997	Fonville	
3,895,743	A	7/1975	Christian	5,699,927	A	12/1997	Lane	
3,920,146	A	11/1975	Baller	5,706,972	A	1/1998	Sousa	
3,938,695	A	2/1976	Ruff	D390,465	S	2/1998	Frye	
3,977,559	A	8/1976	Lombardi	5,799,814	A	9/1998	Schaefer	
3,977,562	A	8/1976	Wedzik	5,820,016	A	10/1998	Stropkay	
3,994,411	A	11/1976	Elfelt	5,839,601	A	11/1998	Van Melle	
4,056,210	A	11/1977	Boyle	5,897,019	A	4/1999	Stropkay	
4,081,103	A	3/1978	Zoellick	5,911,331	A	6/1999	Boller	
4,085,861	A	4/1978	Ruff	5,947,323	A	9/1999	Freek	
4,090,660	A	5/1978	Schram	5,979,689	A	11/1999	Lansky	
4,106,660	A	8/1978	Boyle	6,076,450	A	6/2000	DiGiorgio, Jr.	
4,113,135	A	9/1978	Yamazaki	6,089,397	A	7/2000	Van Melle	
4,138,033	A	2/1979	Payne	6,102,236	A	8/2000	Ohlsson	
4,141,462	A	2/1979	Rucci	6,138,854	A	10/2000	Kaneko	
4,183,443	A	1/1980	DeParales	D438,064	S *	2/2001	Indekeu	D7/586
4,184,604	A	1/1980	Amberg	6,199,711	B1	3/2001	Lansky	
4,202,459	A	5/1980	DeParales	D447,412	S	9/2001	Durdon	
4,210,272	A	7/1980	Sequin	D450,583	S	11/2001	Freed	
4,215,793	A	8/1980	Packard	6,311,863	B1	11/2001	Fleming	
D256,887	S	9/1980	Swade	6,375,033	B1	4/2002	Fleming	
D256,888	S	9/1980	Swade	6,378,718	B1	4/2002	Maggi	
D256,889	S	9/1980	Swade	6,419,105	B1	7/2002	Bruce	
4,245,752	A	1/1981	Prueher	6,419,112	B1	7/2002	Bruce	
4,253,582	A	3/1981	Shields	6,488,170	B1	12/2002	Johnson	
D259,403	S	6/1981	Frazier, Jr.	6,505,753	B1	1/2003	Freek	
4,285,442	A	8/1981	Wedzik	D470,008	S	2/2003	Trombly	
4,319,691	A	3/1982	Hament	D473,791	S	4/2003	Loris	
4,322,014	A	3/1982	Philip	6,553,696	B1	4/2003	Foster, Sr.	
4,322,015	A	3/1982	Bailey	6,612,456	B1	9/2003	Hundley	
4,331,255	A	5/1982	Fournier	D490,709	S *	6/2004	Bezek	D9/444
4,350,260	A	9/1982	Prueher	D493,718	S	8/2004	Durdon	
4,361,249	A	11/1982	Tuneski	6,783,019	B2	8/2004	Zettle	
D267,633	S	1/1983	Christian	D499,306	S *	12/2004	Laib	D7/586
4,412,629	A	11/1983	Dart	6,889,859	B1	5/2005	Leon	
D271,857	S	12/1983	Callahan	6,889,860	B2	5/2005	Mazzarolo	
D274,502	S	7/1984	Little	6,929,143	B2	8/2005	Mazzarolo	
4,473,167	A	9/1984	Bailey	6,948,633	B2	9/2005	Freek	
4,489,848	A	12/1984	Braude	D522,858	S *	6/2006	Snedden et al.	D9/435
4,502,608	A	3/1985	Mills	D525,826	S	8/2006	Kugler	
4,503,992	A	3/1985	Sitko	D527,219	S	8/2006	Trombly	
4,518,096	A	5/1985	Winstead	7,100,790	B2	9/2006	Dark	
4,566,605	A	1/1986	Rogers	7,134,569	B2	11/2006	Freek	
4,574,970	A	3/1986	Schwarz	7,134,570	B1	11/2006	Heath	
4,582,214	A	4/1986	Dart	D533,778	S	12/2006	Hollis	
4,619,372	A	10/1986	McFarland	7,168,589	B2	1/2007	Dark	
4,627,537	A	12/1986	Rogers	D536,923	S *	2/2007	Roth et al.	D7/392.1
4,670,352	A	6/1987	Kurz	D539,646	S	4/2007	Hollis	
4,738,373	A	4/1988	DeParales	D540,112	S *	4/2007	Nichols et al.	D7/354
4,747,509	A	5/1988	Florkiewicz	D540,165	S	4/2007	Hollis	
4,753,365	A	6/1988	Seppala	D540,166	S	4/2007	Hollis	
4,760,934	A	8/1988	Netsch	D540,672	S	4/2007	Hollis	
D299,010	S	12/1988	Wall	D540,673	S	4/2007	Hollis	
4,818,461	A	4/1989	Batson	D540,674	S	4/2007	Hollis	
4,828,137	A	5/1989	Batson	D540,675	S	4/2007	Hollis	
4,877,391	A	10/1989	Batson	D541,153	S	4/2007	Hollis	
4,898,299	A	2/1990	Herbst	D541,650	S	5/2007	Hollis	
4,949,865	A	8/1990	Turner	D541,651	S	5/2007	Hollis	
4,986,437	A	1/1991	Farmer	D544,793	S	6/2007	Hollis	
5,090,584	A	2/1992	Roberts	7,275,652	B2	10/2007	Morris	
5,143,248	A	9/1992	Sawatsky	D556,573	S	12/2007	Hollis	
5,150,816	A	9/1992	DeCastro	D556,574	S	12/2007	Hollis	
5,197,624	A	3/1993	Dodaro	D563,167	S *	3/2008	Snedden et al.	D7/505
D355,846	S	2/1995	Denney	D563,728	S *	3/2008	Welch, III	D7/553.4
5,390,810	A	2/1995	Stroble	D570,213	S	6/2008	Newman	
5,392,949	A	2/1995	McKenna	D570,685	S	6/2008	Koennecke	
5,431,276	A	7/1995	Lialin	D570,686	S	6/2008	Hollis	
D362,156	S	9/1995	Goto	7,484,638	B2	2/2009	Mazzarolo	
D365,247	S	12/1995	Sokolski	D612,237	S	3/2010	Richey	
5,490,609	A	2/1996	Lane	D612,687	S	3/2010	Gilbert	
D369,109	S	4/1996	Proshan	D615,413	S	5/2010	Gilbert	
				D622,103	S	8/2010	Gilbert	
				D627,192	S	11/2010	Gilbert	
				D632,174	S	2/2011	Charbonnet	
				7,954,659	B2	6/2011	Zuares	

(56)

References Cited

U.S. PATENT DOCUMENTS

7,959,028 B2 6/2011 Leon
 D652,718 S * 1/2012 Caldwell et al. D9/434
 8,113,379 B2 2/2012 Cai
 D661,186 S * 6/2012 Snyder D9/436
 8,272,318 B2 9/2012 Skalski
 D692,277 S * 10/2013 Smiedt et al. D7/510
 D704,054 S 5/2014 Fleming
 D704,055 S 5/2014 Fleming
 2002/0074337 A1 6/2002 Melton
 2002/0100757 A1 8/2002 Shih
 2003/0089713 A1 5/2003 Belt
 2003/0089714 A1 5/2003 Dart
 2003/0168455 A1 9/2003 Zettle
 2004/0195239 A1 10/2004 Rush
 2005/0224495 A1 10/2005 Kartinian
 2007/0012709 A1 1/2007 Durdon
 2007/0045316 A1 3/2007 Arnljots
 2007/0075079 A1 4/2007 Stokes
 2007/0075081 A1 4/2007 Stokes
 2007/0114236 A1 5/2007 Shiffer
 2007/0251948 A1 11/2007 Baker
 2008/0000921 A1 1/2008 Leon
 2008/0041862 A1 2/2008 Bal
 2008/0047966 A1 2/2008 Carson
 2008/0061069 A1 3/2008 Edelstein
 2008/0105696 A1 5/2008 Dart
 2008/0217345 A1 9/2008 Hansen
 2009/0026219 A1 1/2009 Bal
 2009/0250479 A1 10/2009 Kaufman
 2009/0266829 A1 10/2009 Bailey
 2010/0012657 A1 1/2010 Levey
 2010/0059535 A1 3/2010 Syrkos
 2010/0206874 A1 8/2010 Masurier
 2010/0243652 A1 9/2010 Richey
 2010/0252555 A1 10/2010 Syed
 2010/0288768 A1 11/2010 Booth
 2010/0288827 A1 11/2010 Booth
 2010/0301048 A1 12/2010 Tokunaga
 2011/0062158 A1 3/2011 Hung
 2011/0100854 A1 5/2011 Chapin
 2011/0114655 A1 5/2011 Bailey
 2011/0155732 A1 6/2011 Sprunger
 2011/0180560 A1 7/2011 Hung
 2011/0233209 A1 9/2011 Tu
 2011/0266294 A1 11/2011 Charbonnet
 2011/0278314 A1 11/2011 Bendix
 2011/0284564 A1 11/2011 Hsieh
 2011/0290815 A1 12/2011 Weld
 2012/0000923 A1 1/2012 Powell
 2012/0152968 A1 6/2012 Bailey
 2012/0199584 A1 8/2012 Pensak
 2012/0205390 A1 8/2012 Portman
 2012/0210880 A1 8/2012 Kolesnyk
 2012/0219685 A1 8/2012 Radow
 2012/0263831 A1 10/2012 Skalski
 2013/0277379 A1 10/2013 Charbonnet
 2014/0042177 A1 2/2014 Fleming

FOREIGN PATENT DOCUMENTS

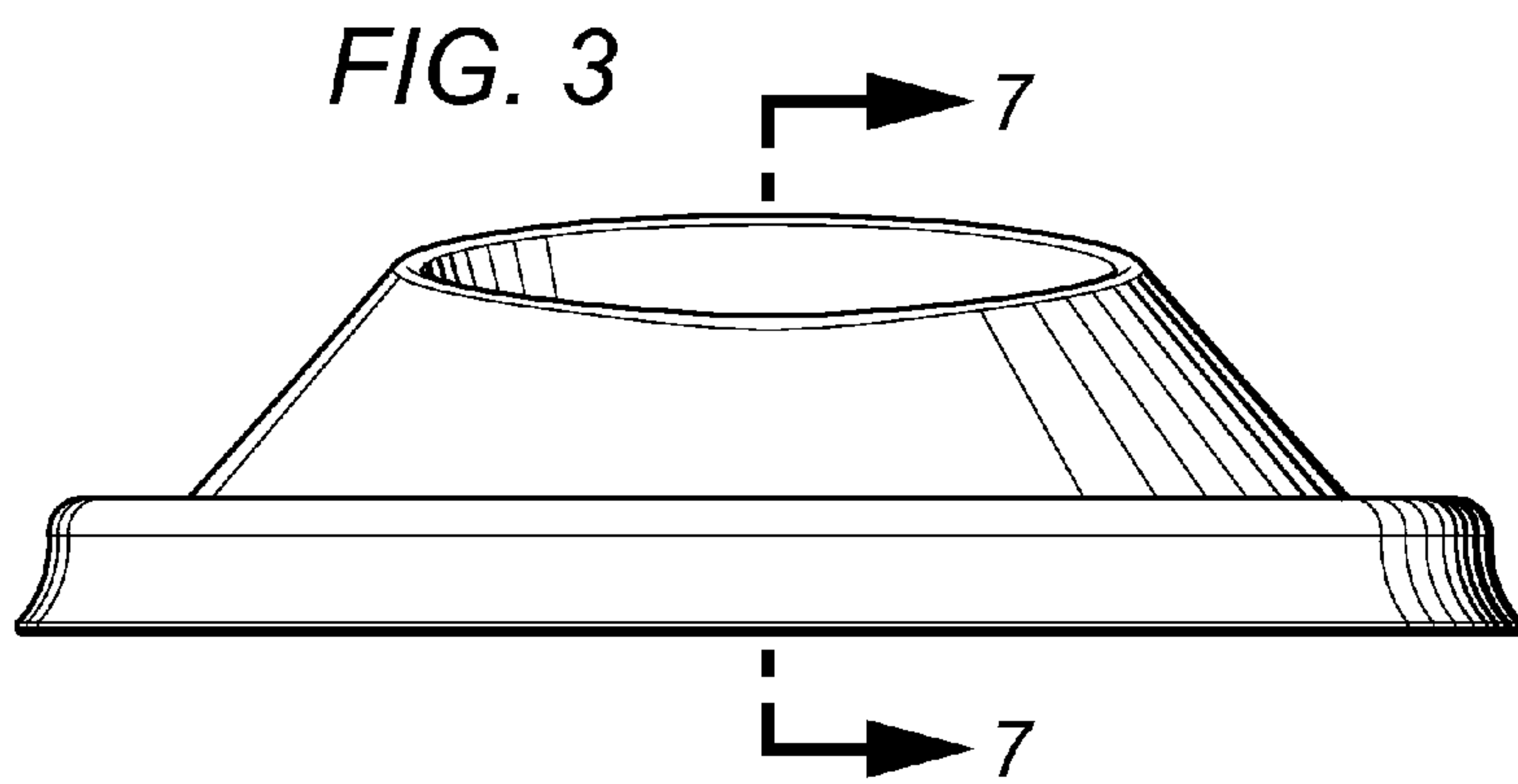
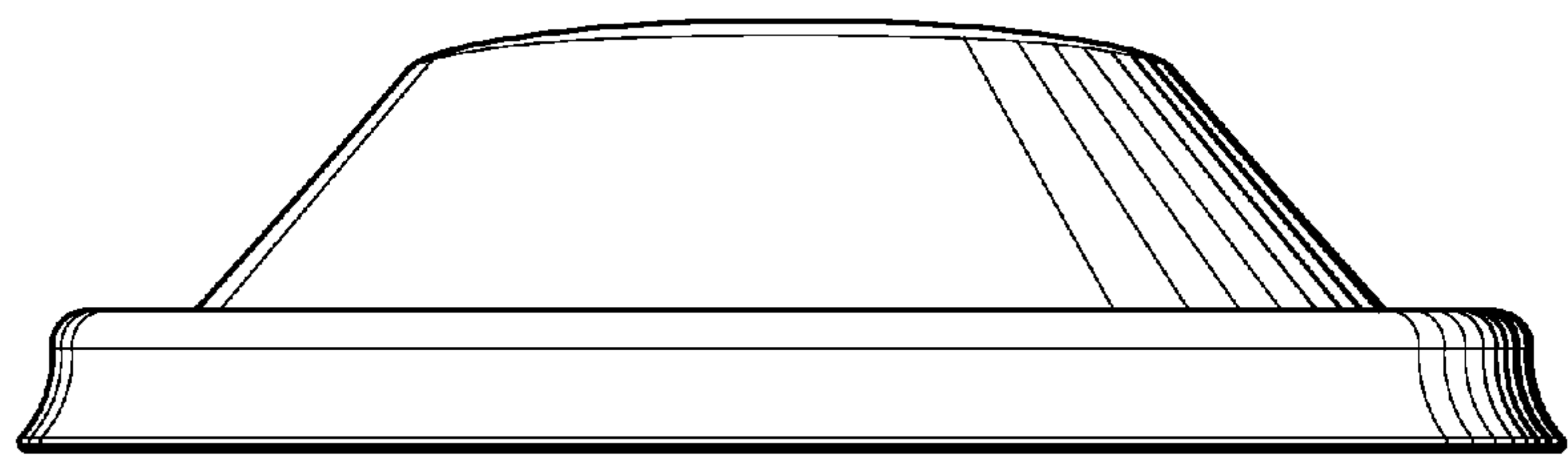
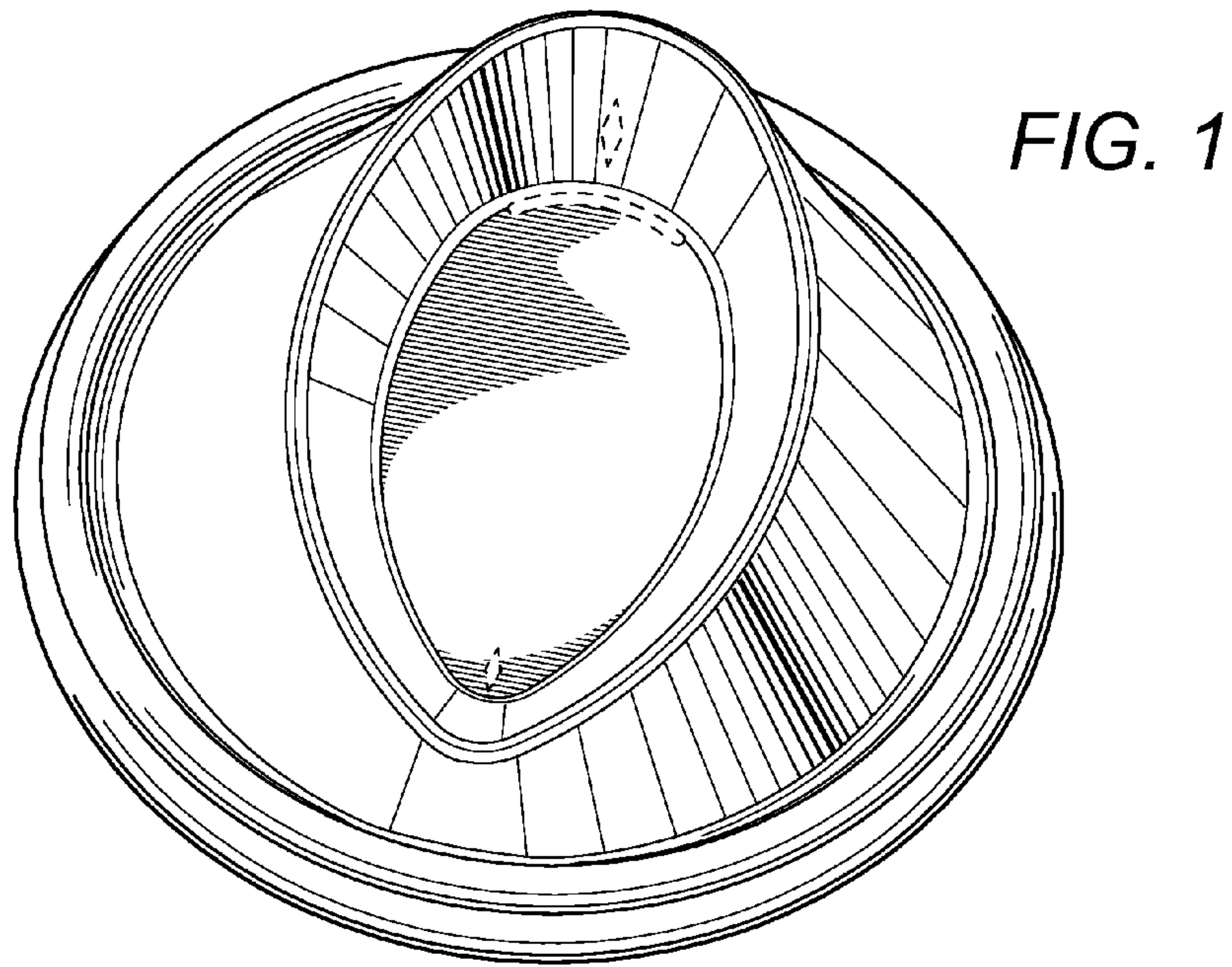
CA 1324342 11/1993
 CA 2031703 5/1996

CA 2136579 A1 5/1996
 CA 2169339 C 5/1999
 CA 2245369 A1 9/2000
 CA 2622689 A1 8/2009
 CN 1248951 A 3/2000
 CN 2603023 Y 2/2004
 CN 2870658 3/2006
 CN 201068255 Y 6/2008
 CN 201079228 7/2008
 CN 201750772 U 2/2011
 CN 201938947 U 8/2011
 DE 202010005134 U1 8/2010
 DE 202010013715 U1 12/2010
 EP 0367483 A2 10/1989
 EP 0398122 A1 11/1990
 EP 427684 A2 5/1991
 EP 2248735 A1 11/2010
 EP 2295338 A1 3/2011
 GB 1599589 10/1981
 GB 2219930 A 12/1989
 GB 2243149 A 10/1991
 GB 2473041 A 3/2011
 GB 2473042 A 3/2011
 GB 2473043 A 3/2011
 JP 09124057 A 5/1997
 JP 09142469 A 6/1997
 JP 2000103469 A 4/2000
 JP 2000287808 A 10/2000
 JP 2001206413 A 7/2001
 JP 2004244051 A 9/2004
 JP 2008308225 A 12/2005
 JP 2008308224 A 12/2008
 JP 2011255944 A 12/2011
 KR 1020020021950 A 3/2002
 KR 200409095 Y1 2/2006
 KR 2020110008147 U 8/2011
 TW 465326 U 11/2001
 TW M318382 U 9/2007
 TW M323449 U 12/2007
 TW M323450 U 12/2007
 TW M333128 U 6/2008
 TW I298997 7/2008
 TW 200846256 A 12/2008
 TW M384844 U 7/2010
 TW M386271 U 8/2010
 TW D138422 S 1/2011
 TW M405420 U 6/2011
 WO 0146027 A1 6/2001
 WO WO0156899 A1 8/2001
 WO 2004087510 A2 10/2004
 WO 2007078265 A2 7/2007
 WO 2008018798 A1 2/2008
 WO 2009008587 A1 1/2009
 WO WO2009022745 A1 2/2009
 WO 2009126555 10/2009
 WO 2011024012 A1 3/2011
 WO 2011082333 7/2011
 WO 2012104385 A1 8/2012
 WO 2013142160 A1 9/2013

OTHER PUBLICATIONS

<http://www.singleservecoffee.com/archives/040040.php>, Ecotop
 Reusable Coffee Cup Lid, May 15, 2012.
 US 6,003,721, 12/1999, Fleming (withdrawn)

* cited by examiner



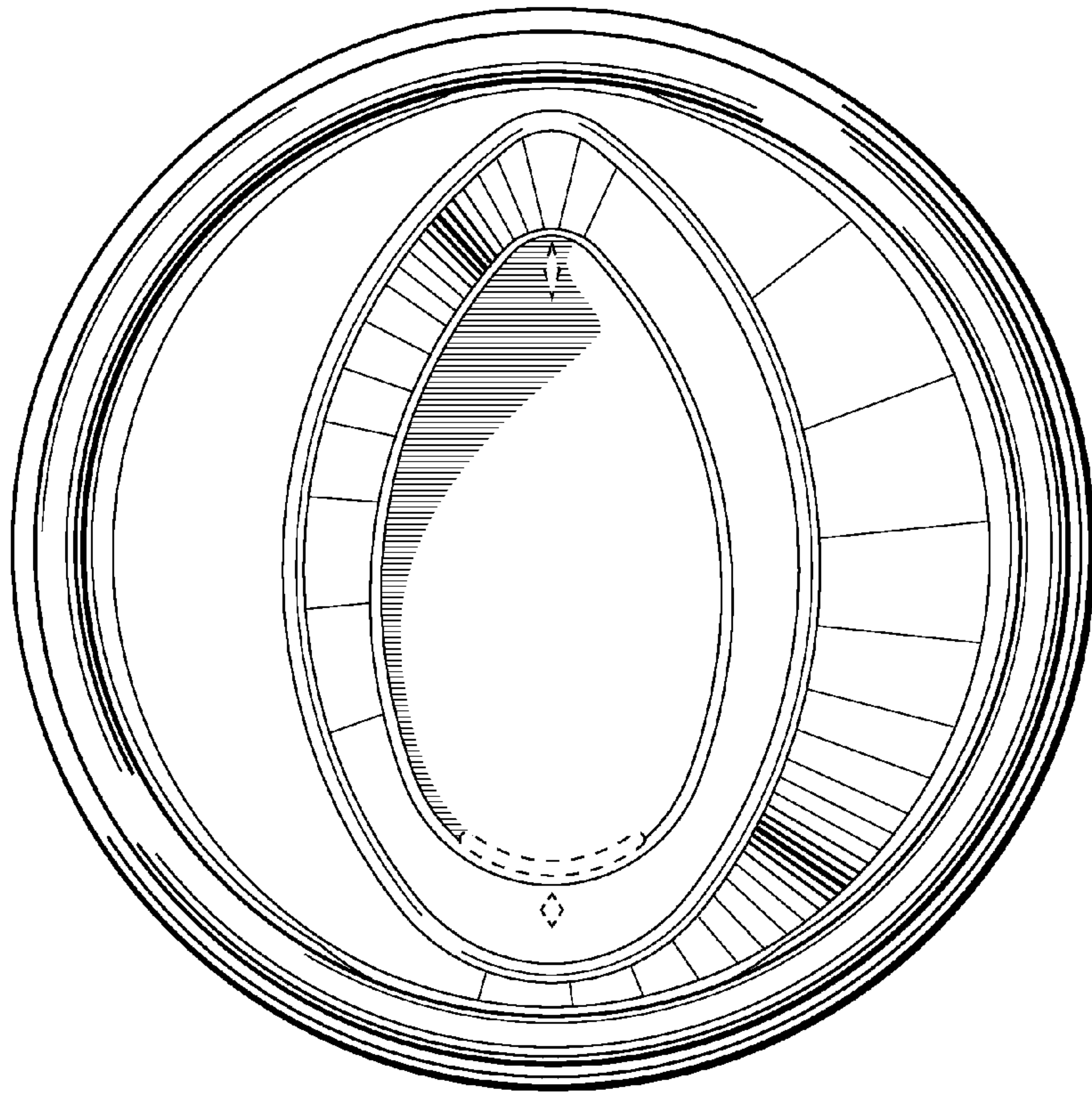


FIG. 5

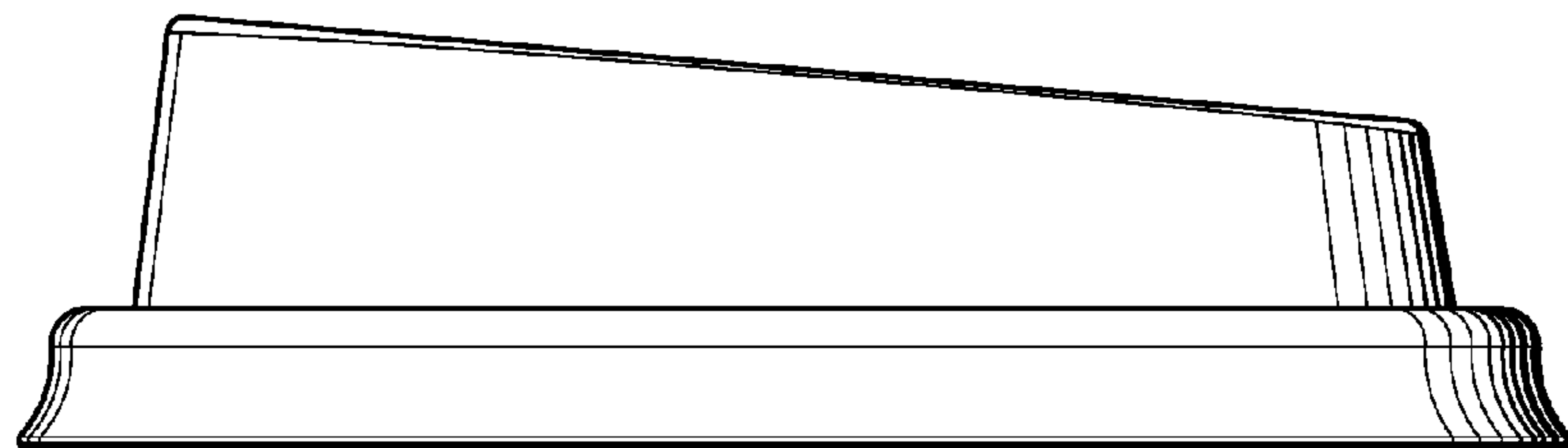


FIG. 4

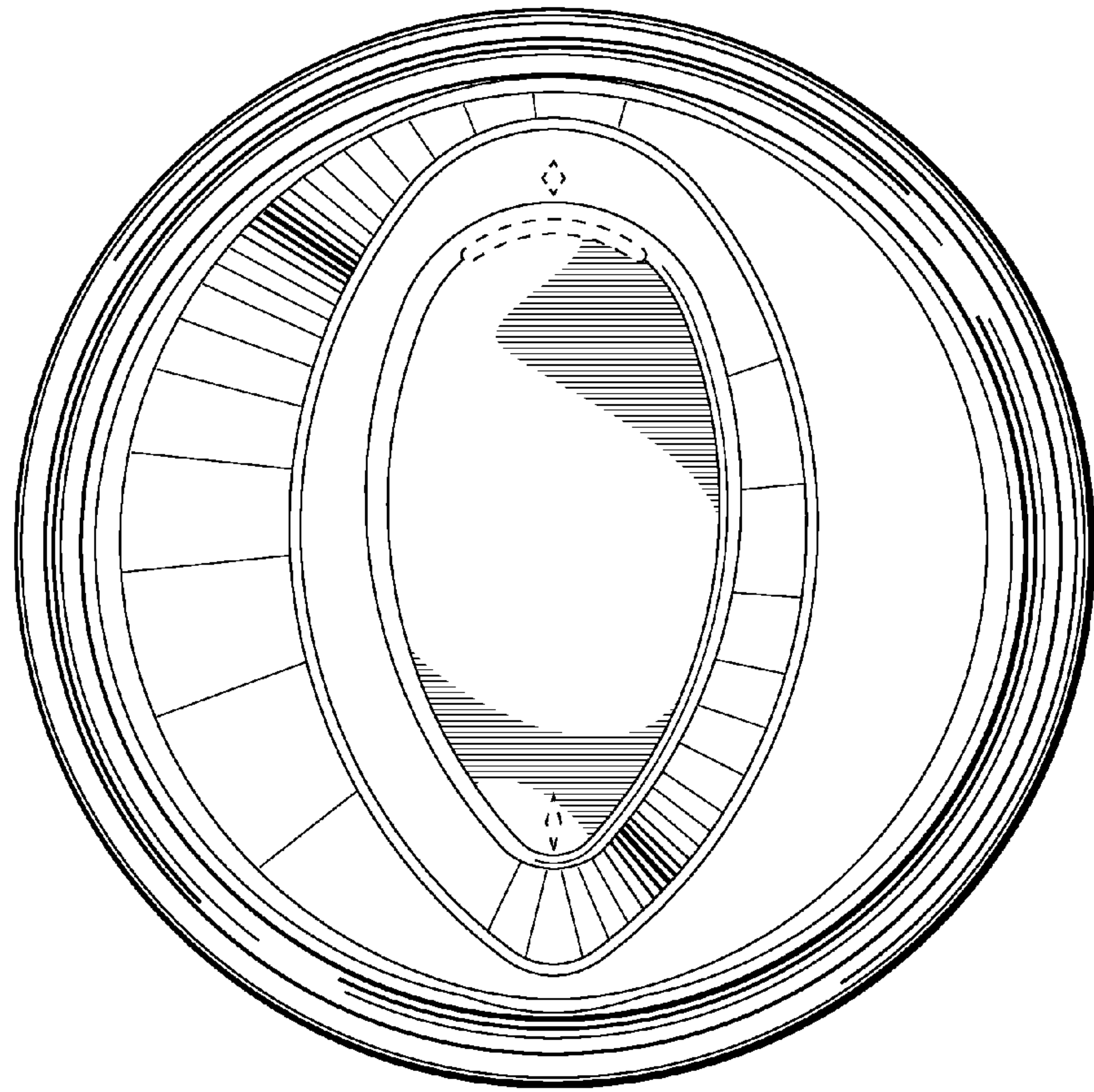


FIG. 6

FIG. 7

