



US00D736622S

(12) **United States Design Patent**
Nishijima et al.

(10) **Patent No.:** **US D736,622 S**

(45) **Date of Patent:** **** Aug. 18, 2015**

- (54) **WATER BOTTLE FITMENT**
- (71) Applicant: **Brita LP**, Oakland, CA (US)
- (72) Inventors: **Rick T. Nishijima**, Pleasanton, CA (US);
Gertrude Nyairo, Oakland, CA (US);
Barbara Saucedo, Livermore, CA (US)
- (73) Assignee: **Brita LP**, Oakland, CA (US)
- (**) Term: **14 Years**
- (21) Appl. No.: **29/475,943**
- (22) Filed: **Dec. 9, 2013**
- (51) **LOC (10) Cl.** **09-07**
- (52) **U.S. Cl.**
USPC **D9/447**
- (58) **Field of Classification Search**
USPC D7/300, 300.1, 317, 376, 387, 392, 397,
D7/398, 510, 511, 619.1; D9/434, 435,
D9/436, 440, 443, 444, 445, 447, 449, 450,
D9/452, 453, 499, 503, 708, 709;
D24/108, 127; 215/200, 201, 208, 211,
215/223, 386; 220/495.03, 711, 717;
222/212, 325, 386.5, 541.1, 545, 566,
222/567, 570
CPC B65D 2575/583; B65D 75/5883
See application file for complete search history.

- D549,821 S * 8/2007 Lofvenholm et al. D24/127
- D558,596 S 1/2008 Berman
- D566,554 S * 4/2008 Braukmann et al. D9/453
- D571,672 S 6/2008 Murray
- D573,897 S 7/2008 Berman
- D574,241 S * 8/2008 Braukmann et al. D9/453
- D581,808 S 12/2008 Schwartz
- D583,255 S 12/2008 Castor
- D585,763 S 2/2009 Friebe et al.
- D588,470 S 3/2009 Berman
- D589,819 S 4/2009 Nomura et al.
- D591,108 S * 4/2009 Pesach et al. D7/510
- D609,112 S 2/2010 Koyanagi
- D619,906 S 7/2010 Carignan et al.

(Continued)

OTHER PUBLICATIONS

The Green Head. Vapur Anti-Bottle. [2011], [site visited Jan. 28, 2015]. Available from Internet, <URL:http://www.thegreenhead.com/2011/03/vapur-anti-bottle.php>.*

Primary Examiner — Robert M Spear
Assistant Examiner — Darcey E Heflin

(74) *Attorney, Agent, or Firm* — Stacy H. Combs

(57) **CLAIM**

The ornamental design for a water bottle fitment, as shown and described.

DESCRIPTION

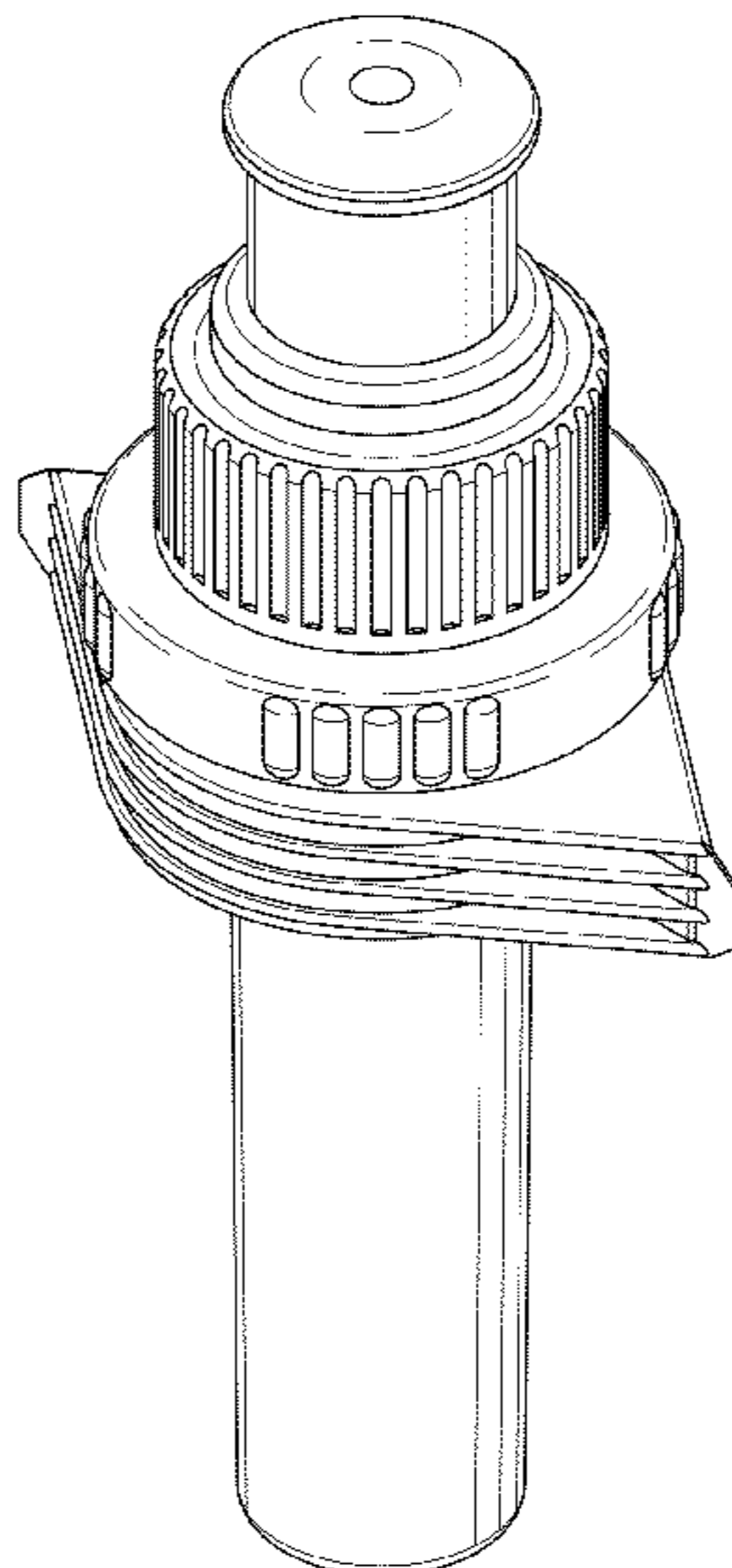
FIG. 1 is a perspective view of a water bottle fitment showing the new design;
FIG. 2 is a front view thereof;
FIG. 3 is a side view thereof;
FIG. 4 is a back view thereof, opposite of FIG. 2;
FIG. 5 is a side view thereof, opposite of FIG. 3;
FIG. 6 is a top view thereof; and,
FIG. 7 is a bottom view thereof.
In the drawings, the broken lines depict environmental subject matter only that form no part of the claim.

1 Claim, 4 Drawing Sheets

(56) **References Cited**

U.S. PATENT DOCUMENTS

- 6,273,307 B1 * 8/2001 Gross et al. 222/566
- D448,988 S 10/2001 Bell et al.
- D451,804 S 12/2001 Bell
- D476,565 S * 7/2003 Rosen D9/447
- D489,978 S * 5/2004 Brown D9/440
- D495,599 S * 9/2004 Biesecker D9/435
- D508,202 S * 8/2005 Dobson et al. D9/447
- D517,864 S * 3/2006 Yu D7/510



(56)

References Cited

U.S. PATENT DOCUMENTS

D621,660 S *	8/2010	Smiedt et al.	D7/510	D667,313 S	9/2012	Hensen	
D622,612 S	8/2010	Randall		D676,335 S	2/2013	Murray	
D627,237 S	11/2010	Ueda et al.		D676,336 S	2/2013	Murray	
D639,185 S	6/2011	Hung		D677,170 S	3/2013	Neset	
D644,123 S	8/2011	Blau		D682,117 S	5/2013	Murray	
D656,038 S	3/2012	Molayem		D716,151 S *	10/2014	Bell et al.	D9/708
D657,194 S *	4/2012	McIntire et al.	D7/510	2005/0139622 A1 *	6/2005	Saulle	222/541.1
D664,863 S	8/2012	Kristoff		2009/0057347 A1	3/2009	Leys et al.	
D666,922 S	9/2012	Khan		2011/0132941 A1 *	6/2011	Kim	222/566
				2011/0147421 A1 *	6/2011	Bonet Pedrol	222/566
				2013/0011085 A1	1/2013	Umenaka	

* cited by examiner

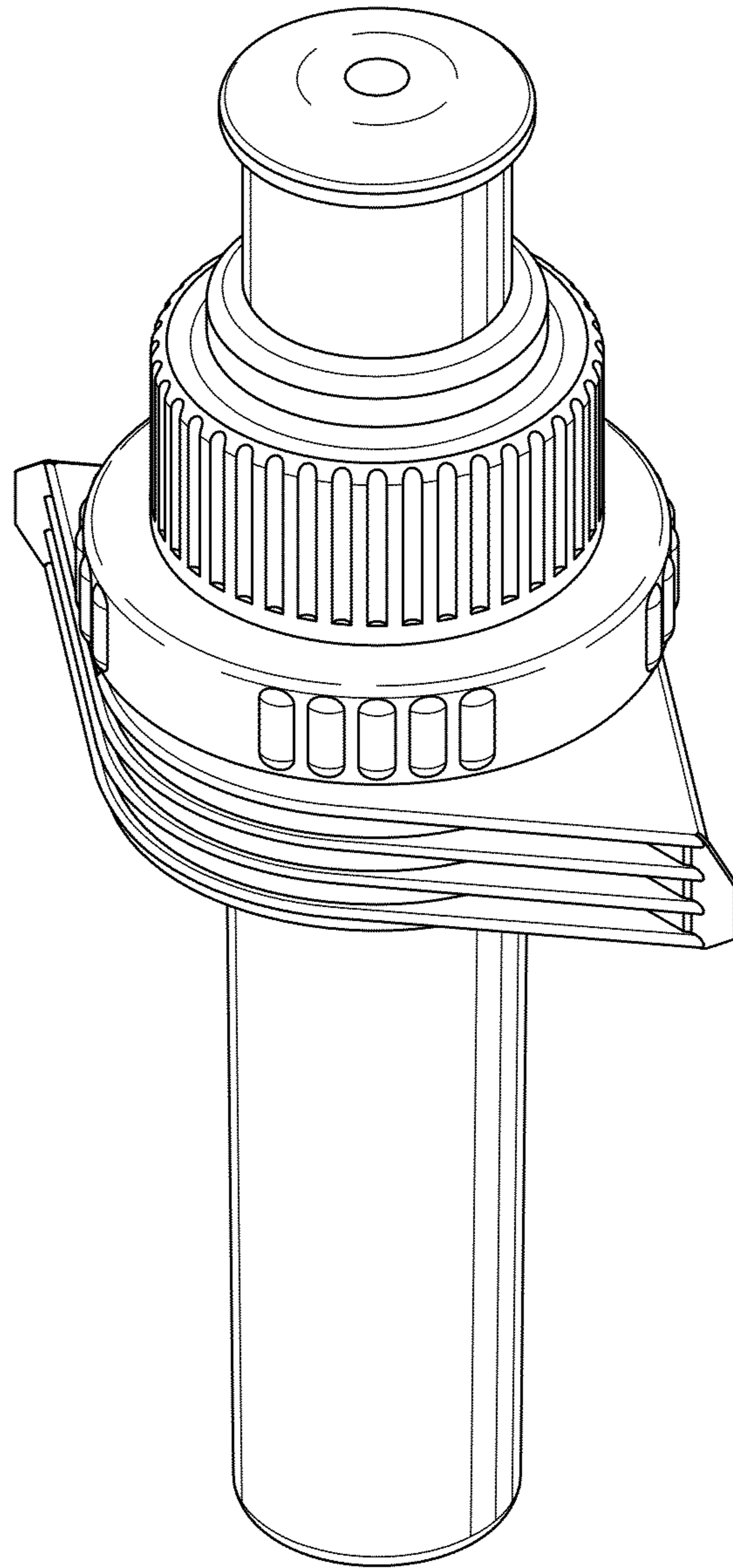


FIG. 1

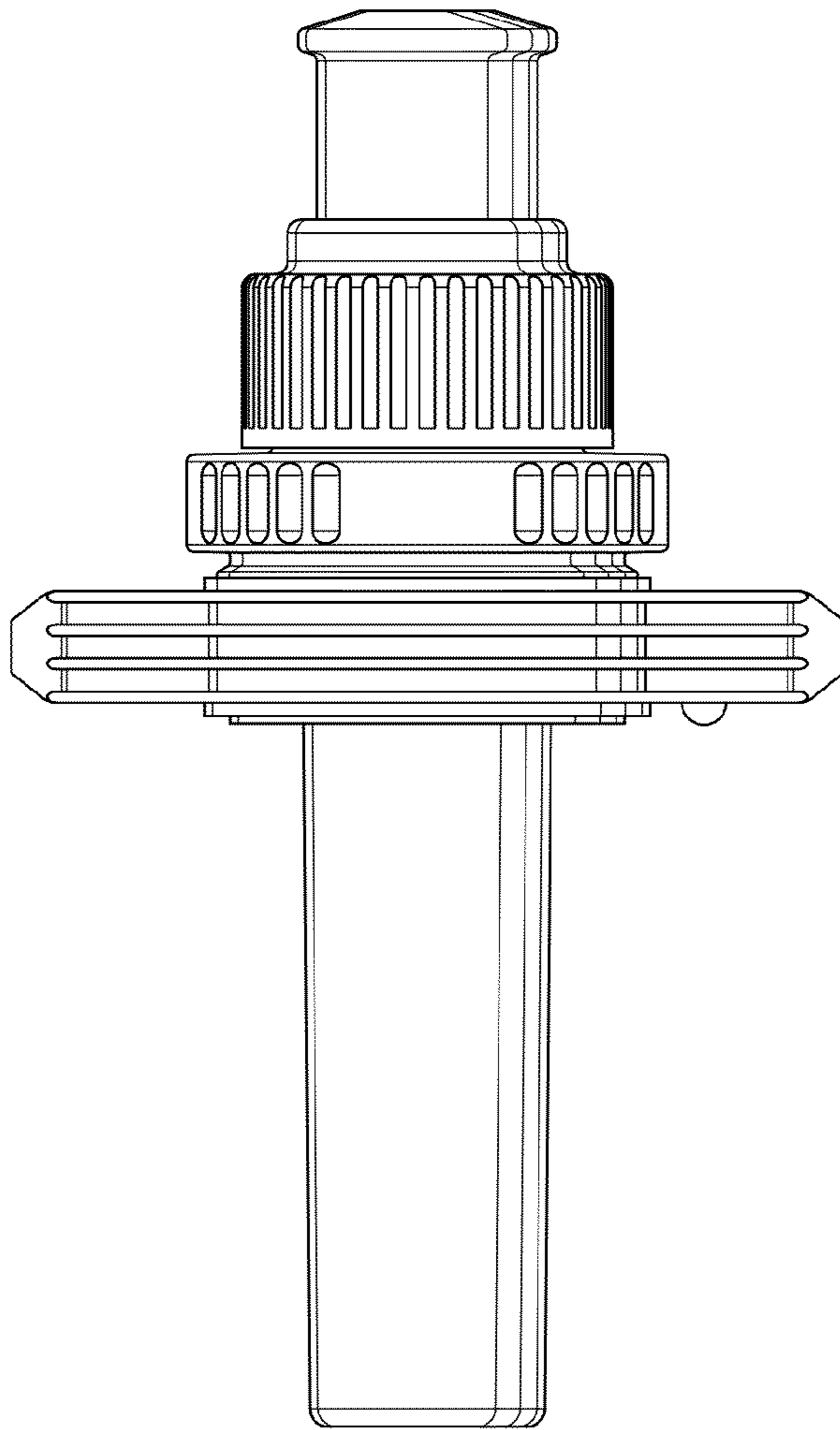


FIG. 2

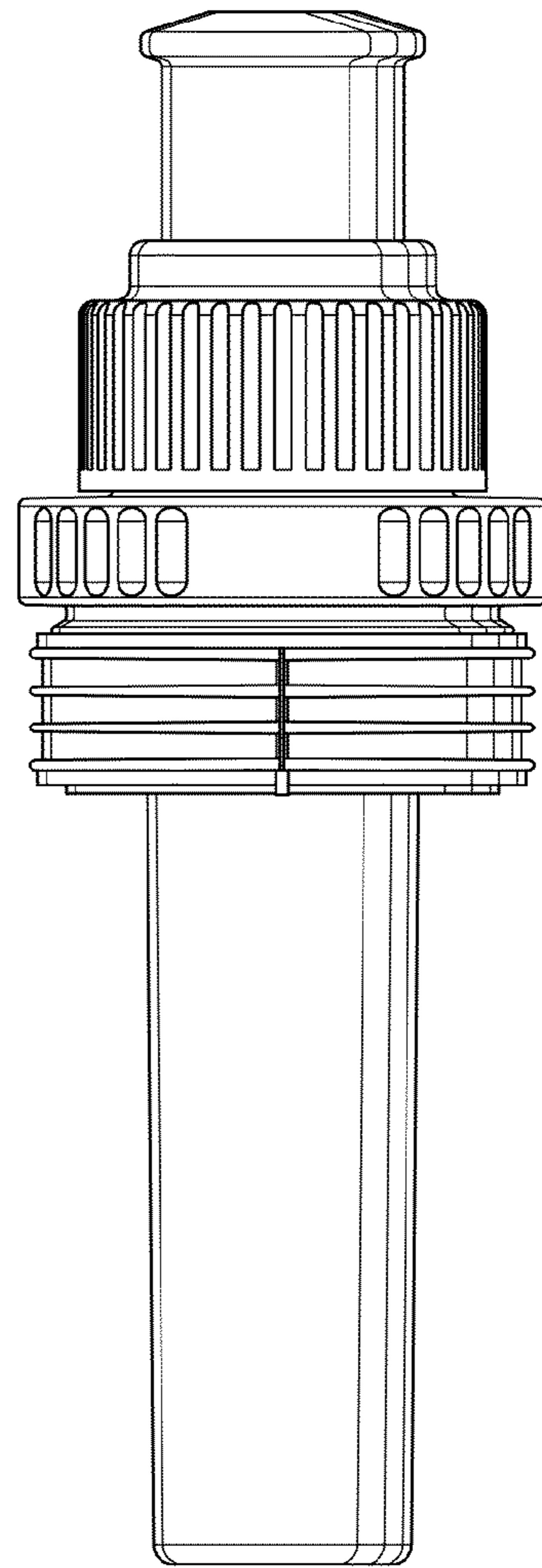


FIG. 3

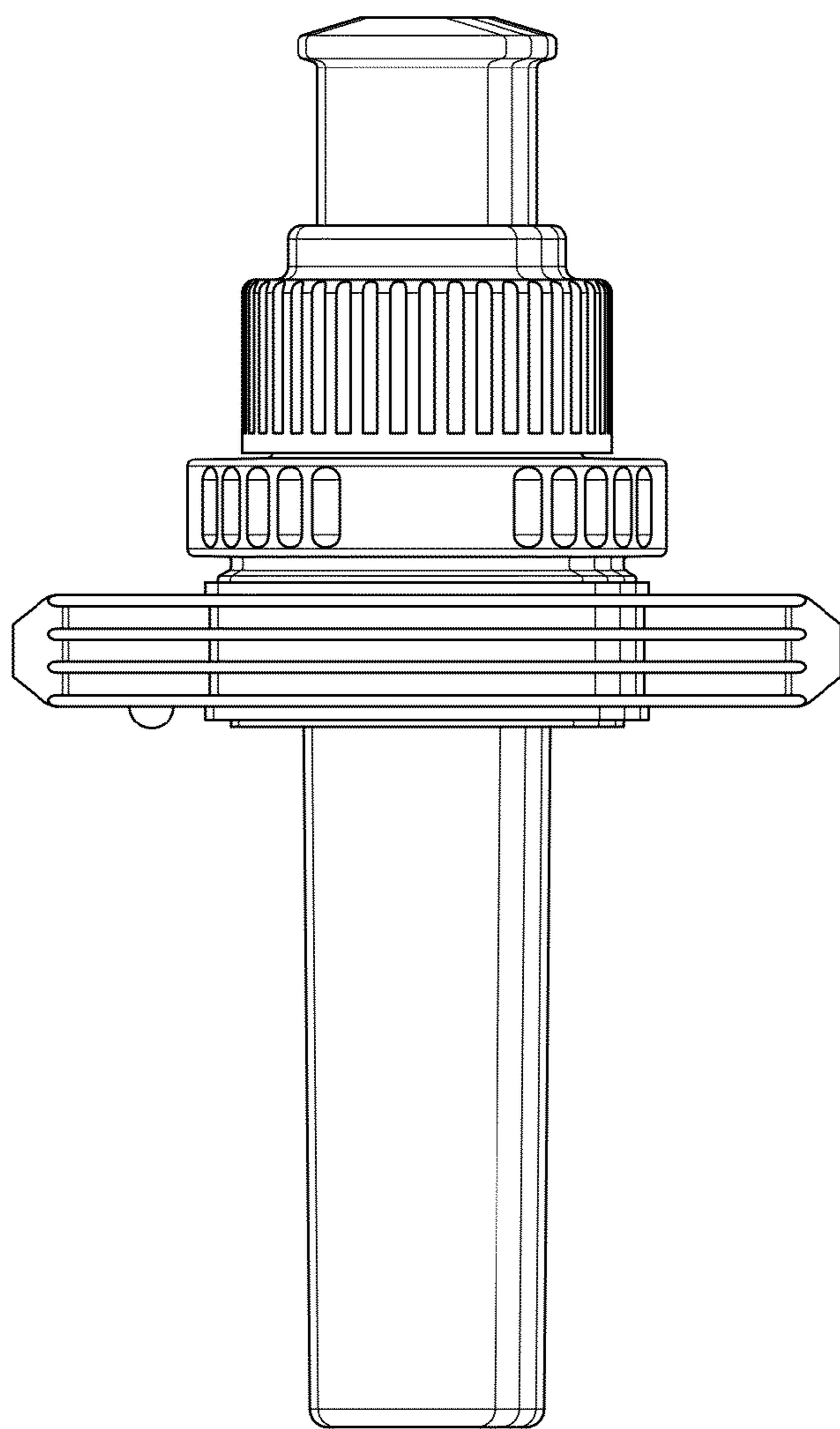


FIG. 4

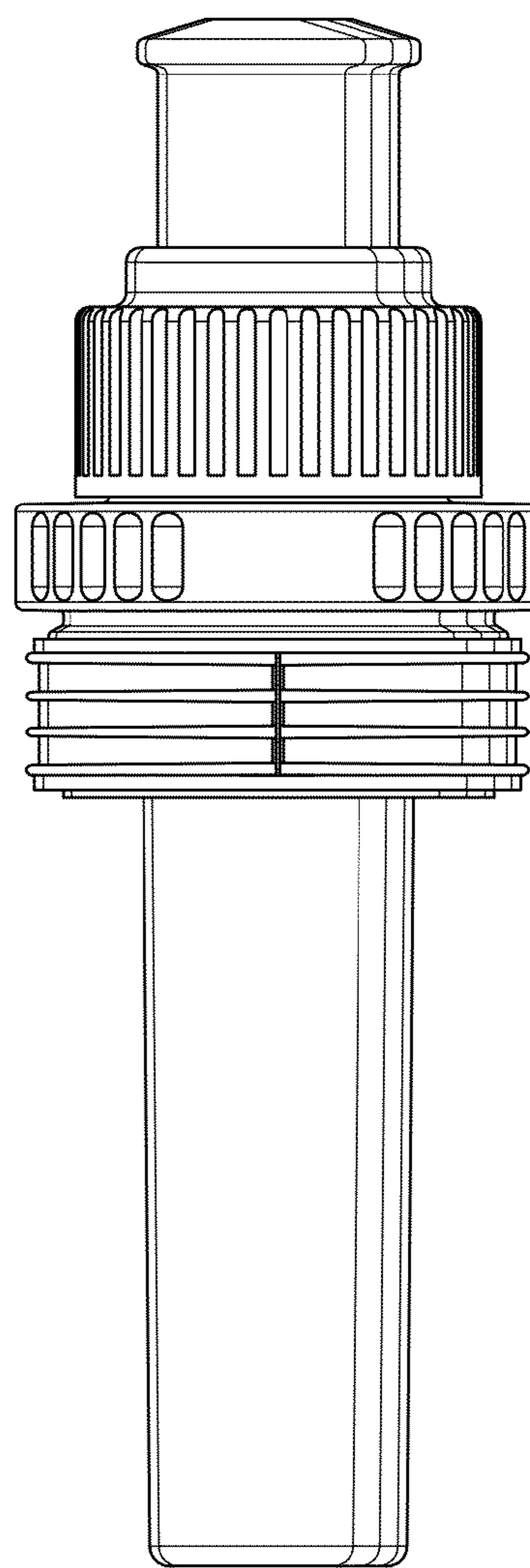


FIG. 5

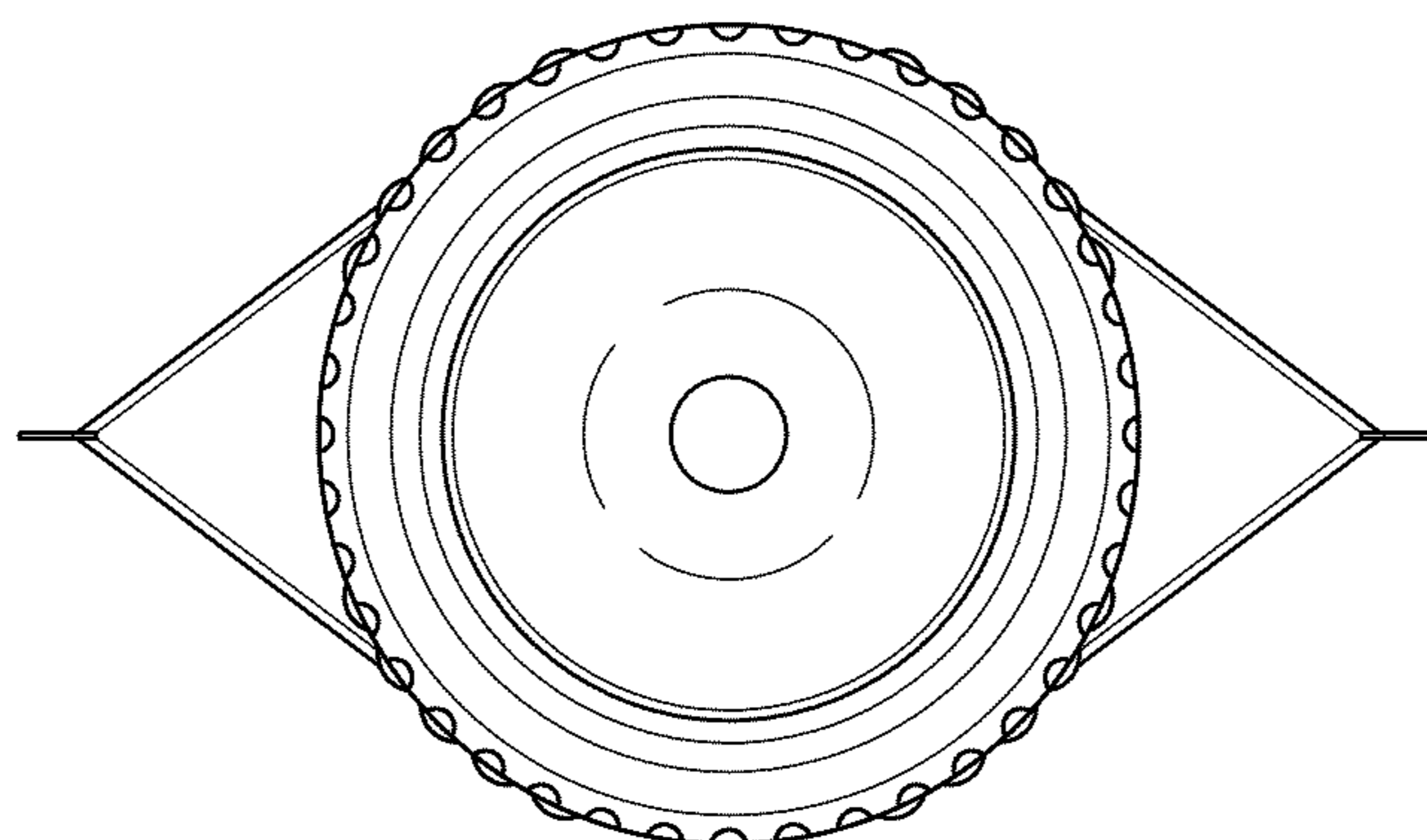


FIG. 6

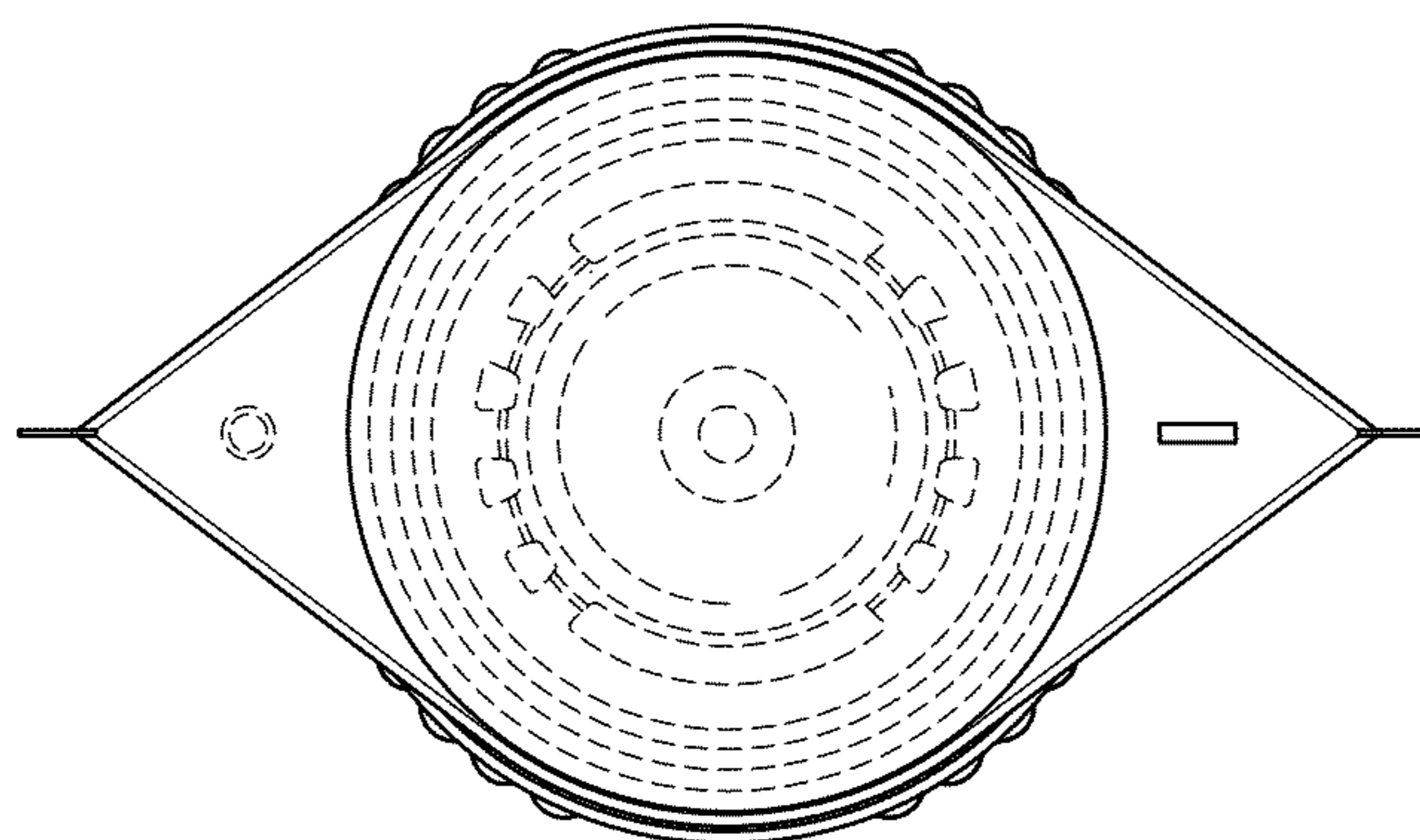


FIG. 7