



US00D736621S

(12) **United States Design Patent**  
**Ivancic**

(10) **Patent No.:** **US D736,621 S**

(45) **Date of Patent:** **\*\* Aug. 18, 2015**

(54) **MEDICINE BOTTLE LID DISPLAY**

(71) Applicant: **Denis Ivancic**, Pazin (HR)

(72) Inventor: **Denis Ivancic**, Pazin (HR)

(\*\*) Term: **14 Years**

(21) Appl. No.: **29/456,712**

(22) Filed: **Jun. 3, 2013**

(30) **Foreign Application Priority Data**

Nov. 29, 2012 (HR) ..... D 20120305 A

(51) **LOC (10) Cl.** ..... **09-07**

(52) **U.S. Cl.**  
USPC ..... **D9/436**

(58) **Field of Classification Search**  
USPC ..... D7/396.2, 392.1, 510, 509, 511, 624.1;  
D9/435, 439, 440, 445, 447, 449, 450,  
D9/454, 500, 503-505, 452; 220/254.3,  
220/705, 709, 713, 714; D21/794, 706;  
D27/190; 368/10; 221/5, 8  
CPC ..... A47G 19/22-19/23; A47G 23/03  
See application file for complete search history.

(56) **References Cited**

**U.S. PATENT DOCUMENTS**

2,766,796 A \* 10/1956 Tupper ..... 220/521  
2,961,108 A \* 11/1960 Johnson ..... 215/228  
D258,017 S \* 1/1981 Steinkamp et al. .... D6/312  
D291,970 S \* 9/1987 Downing et al. .... D9/436  
D343,019 S \* 1/1994 Garrity ..... D26/37  
5,846,089 A \* 12/1998 Weiss et al. .... 434/365  
D491,549 S \* 6/2004 Zeitman ..... D14/509  
D511,985 S \* 11/2005 Kelly, Jr. .... D10/106.1

D536,968 S \* 2/2007 Keller ..... D9/439  
7,680,001 B1 \* 3/2010 D'Annunzio et al. .... 368/10  
D639,497 S \* 6/2011 Ogawa et al. .... D26/120  
D675,097 S \* 1/2013 Burke, Jr. .... D9/454  
D689,701 S \* 9/2013 Mischel et al. .... D6/309  
8,708,192 B2 \* 4/2014 Flowers et al. .... 221/5  
2003/0099158 A1 \* 5/2003 De la Huerga ..... 368/10  
2004/0008583 A1 \* 1/2004 Lee ..... 368/10  
2006/0071011 A1 \* 4/2006 Varvarelis et al. .... 221/9  
2009/0052283 A1 \* 2/2009 Puzia ..... 368/10  
2014/0036638 A1 \* 2/2014 Gough et al. .... 368/10

\* cited by examiner

*Primary Examiner* — Susan Bennett Hattan

*Assistant Examiner* — Brett Miller

(74) *Attorney, Agent, or Firm* — Birch, Stewart, Kolash & Birch, LLP

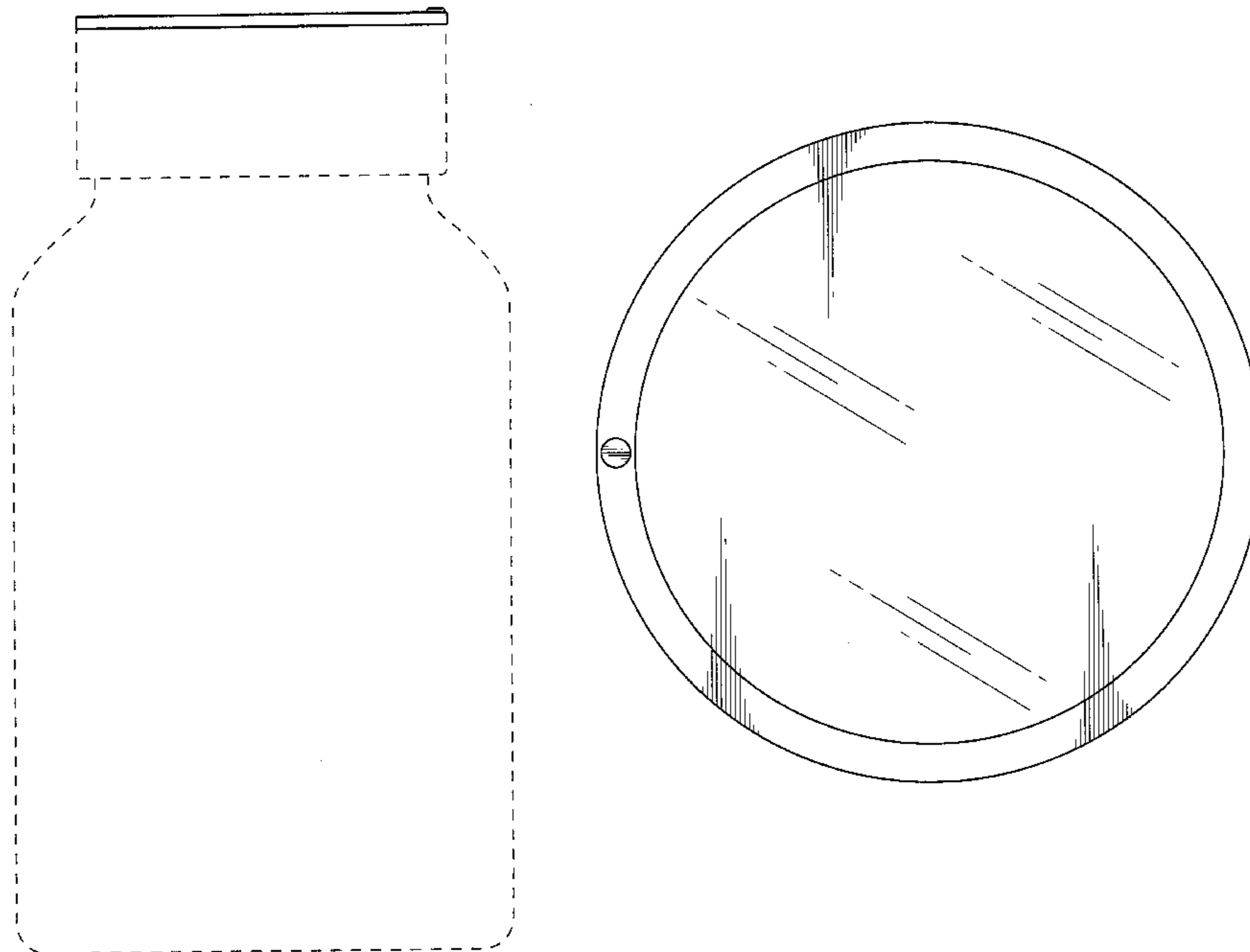
(57) **CLAIM**

The ornamental design for a medicine bottle lid display, as shown and described.

**DESCRIPTION**

FIG. 1 is a left side elevation view of a medicine bottle lid display;  
FIG. 2 is a right side elevation thereof;  
FIG. 3 is a front elevation view thereof, the rear view being a mirror image; and,  
FIG. 4 is a top plan view thereof.  
The bottom of the medicine bottle lid display is flat and unornamented.  
The medicine bottle and medicine bottle lid to which the display is attached are partially shown in broken lines for illustrative purposes only and forms no part of the claimed design.

**1 Claim, 4 Drawing Sheets**



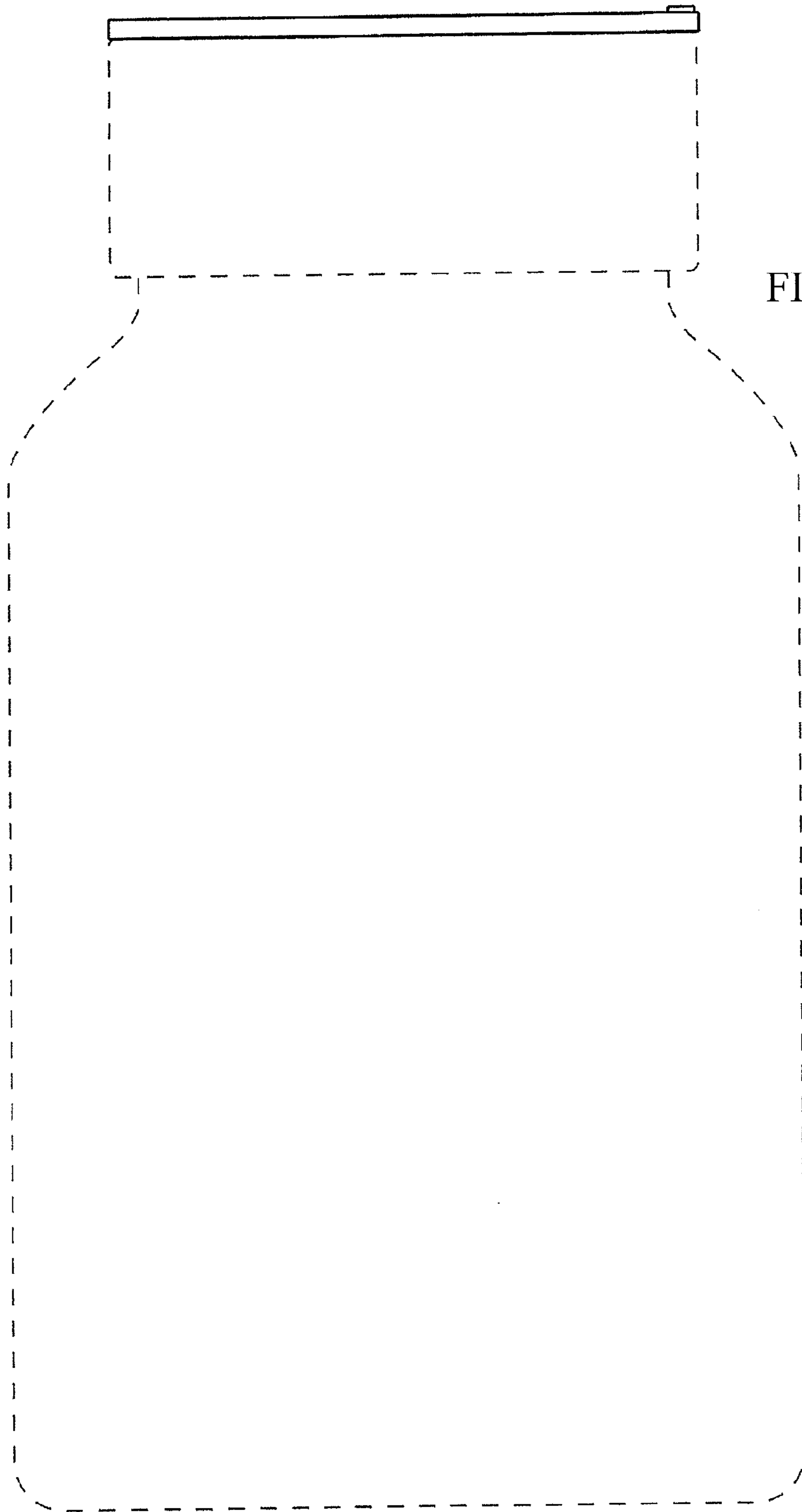


FIG. 1

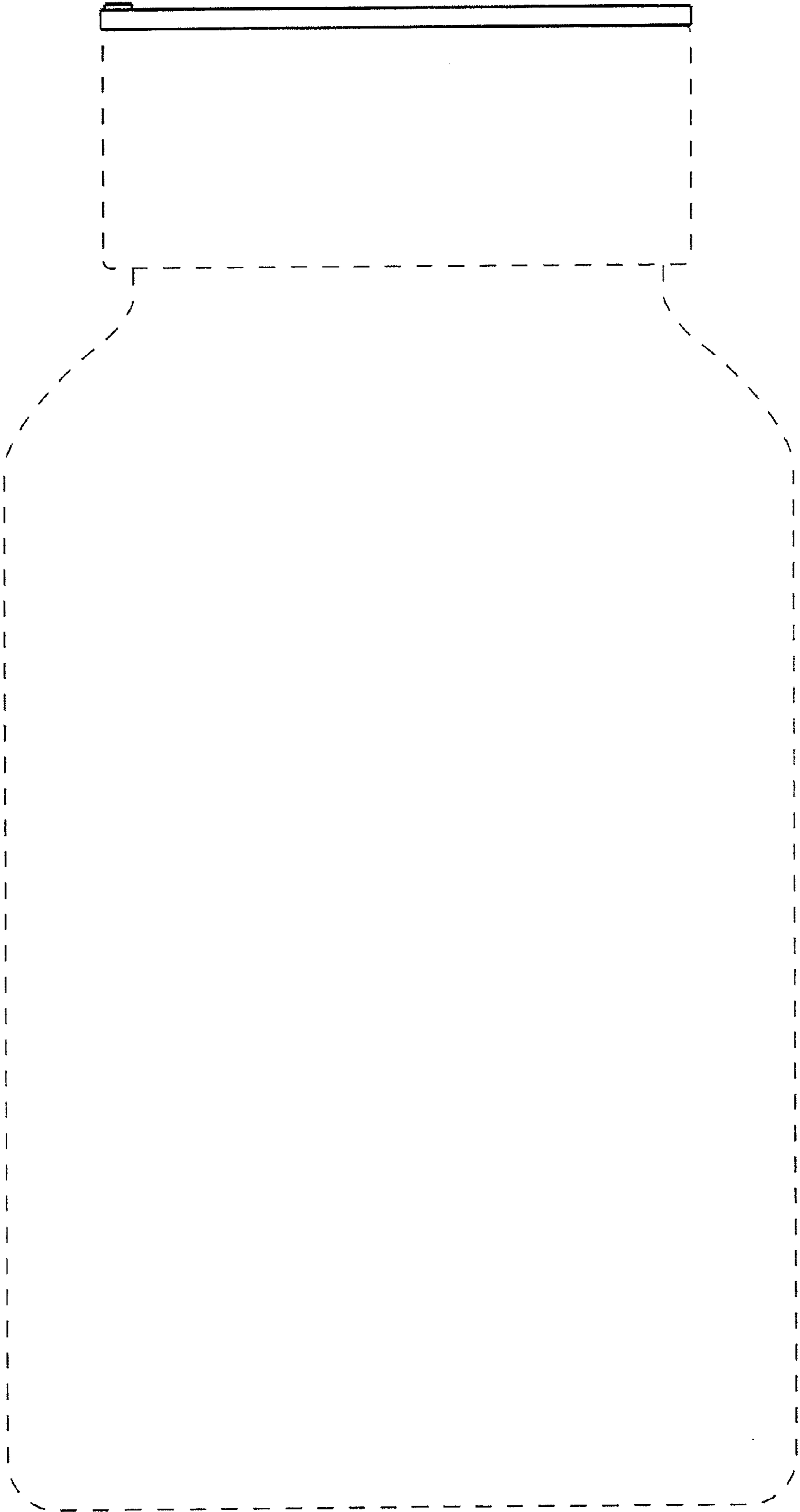


FIG. 2

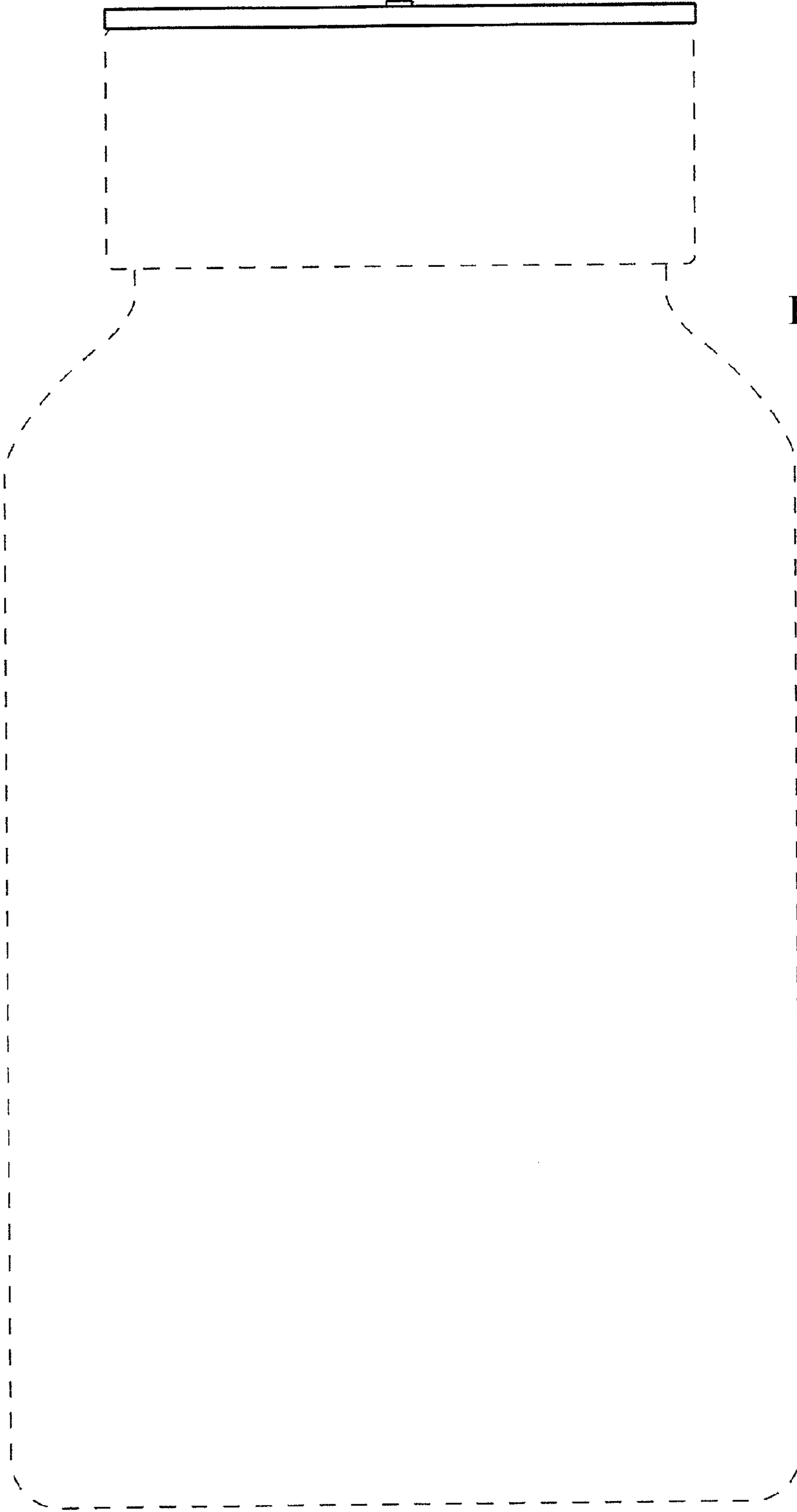


FIG. 3

FIG. 4

