



US00D736618S

(12) **United States Design Patent**
Andre et al.

(10) **Patent No.:** **US D736,618 S**
(45) **Date of Patent:** **** Aug. 18, 2015**

(54) **PACKAGING**

(71) Applicant: **Apple Inc.**, Cupertino, CA (US)
(72) Inventors: **Bartley K. Andre**, Menlo Park, CA (US); **Daniel J. Coster**, San Francisco, CA (US); **Daniele De Iuliis**, San Francisco, CA (US); **Richard P. Howarth**, San Francisco, CA (US); **Jonathan P. Ive**, San Francisco, CA (US); **Steve Jobs**, Palo Alto, CA (US); **Duncan Robert Kerr**, San Francisco, CA (US); **Shin Nishibori**, Kailua, HI (US); **Matthew Dean Rohrbach**, San Francisco, CA (US); **Peter Russell-Clarke**, San Francisco, CA (US); **Douglas B. Satzger**, Menlo Park, CA (US); **Calvin Q. Seid**, Palo Alto, CA (US); **Christopher J. Stringer**, Woodside, CA (US); **Eugene Antony Whang**, San Francisco, CA (US); **Rico Zörkendörfer**, San Francisco, CA (US)

(73) Assignee: **Apple Inc.**, Cupertino, CA (US)
(**) Term: **14 Years**

(21) Appl. No.: **29/479,657**
(22) Filed: **Jan. 17, 2014**

Related U.S. Application Data

(60) Continuation of application No. 29/446,118, filed on Feb. 20, 2013, now Pat. No. Des. 701,757, which is a
(Continued)

(51) **LOC (10) Cl.** **09-03**
(52) **U.S. Cl.**
USPC **D9/432**

(58) **Field of Classification Search**
USPC D9/414-434, 442-445, 456-457, 542, D9/563, 600, 614-624, 655, 657, 658, 661, D9/695, 697-699, 707-708, 711, D9/772-776; D7/601, 602, 538, 540, D7/550.1; D3/202, 203.5, 203.6, 205
CPC B65D 5/00; B65D 5/001; B65D 5/0015; B65D 5/0227-5/0045; B65D 5/18; B65D 5/2033; B65D 5/38; B65D 5/40; B65D 1/22; B65D 1/225; B65D 1/24; B65D 1/34; B65D 1/38

See application file for complete search history.

(56) **References Cited**

U.S. PATENT DOCUMENTS

1,315,593 A 9/1919 Binder
(Continued)

FOREIGN PATENT DOCUMENTS

EM 00056403-0001 8/2006
(Continued)

OTHER PUBLICATIONS

Search Report for Taiwanese Design Application No. 096306629, dated Jan. 16, 2009.
(Continued)

Primary Examiner — Susan Bennett Hattan

Assistant Examiner — Vy Koenig

(74) *Attorney, Agent, or Firm* — Sterne, Kessler, Goldstein & Fox P.L.L.C.

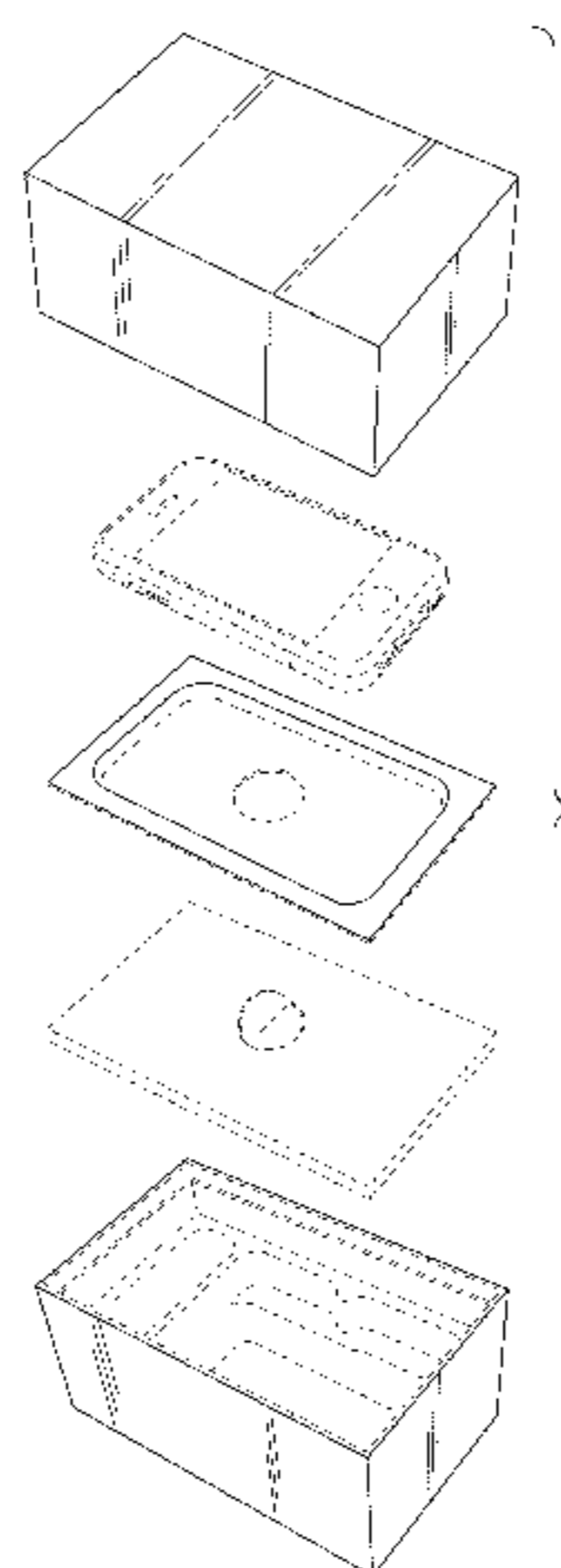
(57) **CLAIM**

The ornamental design for packaging, as shown and described.

DESCRIPTION

FIG. 1 is an exploded perspective view of packaging showing our new design;
FIG. 2 is a front perspective view of FIG. 1 assembled and in a condition of use;
FIG. 3 is a top view of FIG. 2;
FIG. 4 is a bottom view thereof;
FIG. 5 is a side view thereof;
FIG. 6 is another side view thereof;
FIG. 7 is a front view thereof;
FIG. 8 is a front perspective view of the packaging of FIG. 1 partially assembled and in a condition of use; and,
FIG. 9 is a front perspective view of the packaging of FIG. 1 partially assembled and in a condition of use.
The broken lines in the figures show portions of the packaging and environment which form no part of the claimed design.

1 Claim, 7 Drawing Sheets



Related U.S. Application Data

continuation of application No. 29/406,057, filed on Nov. 9, 2011, now Pat. No. Des. 677,563, which is a continuation of application No. 29/384,961, filed on Feb. 7, 2011, now Pat. No. Des. 649,450, which is a continuation of application No. 29/363,450, filed on Jun. 9, 2010, now Pat. No. Des. 633,388, which is a continuation of application No. 29/340,508, filed on Jul. 20, 2009, now Pat. No. Des. 620,795, which is a division of application No. 29/281,505, filed on Jun. 25, 2007, now Pat. No. Des. 596,485.

(56)

References Cited

U.S. PATENT DOCUMENTS

1,518,219	A	12/1924	Peter
1,650,039	A	11/1927	Price
D111,649	S	10/1938	Di Domenico
D114,891	S	5/1939	Fogel
2,316,384	A	4/1943	Abramson
2,606,708	A	8/1952	Irvan
2,722,719	A	11/1955	Altstadter
3,463,309	A	8/1969	Szostek
3,487,921	A	1/1970	Barth et al.
3,850,333	A	11/1974	Reichert
D246,349	S	11/1977	Klupt
D246,439	S	11/1977	Lynn et al.
4,085,845	A	4/1978	Perfect
D248,621	S	7/1978	Hay et al.
4,106,597	A	8/1978	Shook et al.
D257,585	S	12/1980	Neuwirth
4,293,074	A	10/1981	Dunsky
D268,646	S	4/1983	Hudson, Jr.
D280,290	S	8/1985	Bakus
4,542,822	A	9/1985	Kennedy, Jr. et al.
4,606,459	A	8/1986	Luray
4,606,460	A	8/1986	Luray
4,739,353	A	4/1988	Heuer et al.
4,876,136	A	10/1989	Chang et al.
4,953,705	A	9/1990	Evamy
D312,358	S	11/1990	Horne
5,040,678	A	8/1991	Lenmark, Sr. et al.
5,092,354	A	3/1992	Pacelli, Jr.
5,105,941	A	4/1992	Dolan et al.
D331,191	S	11/1992	Ventola et al.
5,251,760	A	10/1993	Smith et al.
5,295,580	A	3/1994	Hicks
5,484,063	A	1/1996	Cuccio et al.
D369,295	S	4/1996	Kobari et al.
D369,469	S	5/1996	Gregory
5,573,119	A	11/1996	Luray
D382,735	S	8/1997	Zapf
D385,156	S	10/1997	Balari
5,694,744	A	12/1997	Jones
D397,552	S	9/1998	Rutledge
D406,463	S	3/1999	Rutledge
5,893,462	A	4/1999	Ridgeway

D411,448	S	6/1999	Baker
5,950,830	A	9/1999	Trigger
5,967,327	A	10/1999	Jones
D417,391	S	12/1999	Szczepanski et al.
6,010,006	A	1/2000	Ridgeway et al.
6,154,360	A	11/2000	Kaczeus, Sr. et al.
6,241,090	B1	6/2001	Kaplinsky
6,302,274	B1	10/2001	Ridgeway
6,305,539	B1	10/2001	Sanders, Jr.
6,367,624	B1	4/2002	Szczepanski et al.
6,400,247	B1	6/2002	King
D490,977	S	6/2004	Freeman
D506,744	S	6/2005	Andre et al.
6,920,981	B2	7/2005	Lofgren et al.
7,086,534	B2	8/2006	Roesel et al.
7,117,993	B2	10/2006	Koike
D541,045	S	4/2007	Peart et al.
7,296,681	B2	11/2007	McDonald et al.
D558,571	S	1/2008	Andre et al.
D558,572	S	1/2008	Andre et al.
D572,588	S	7/2008	Osborn et al.
D580,752	S	11/2008	Andre et al.
D582,267	S	12/2008	Andre et al.
D584,141	S	1/2009	Smith et al.
D584,142	S	1/2009	Andre et al.
7,494,015	B2	2/2009	Bacon et al.
7,506,758	B2	3/2009	Davis-Garrison
7,520,389	B2	4/2009	Lalouette
D596,485	S	7/2009	Andre et al.
D607,317	S	1/2010	Collins
D614,023	S	4/2010	Amos et al.
D616,741	S	6/2010	Andre et al.
D620,795	S	8/2010	Andre et al.
D621,256	S	8/2010	Andre et al.
D624,403	S	9/2010	Hansen et al.
7,878,326	B2	2/2011	Andre et al.
D633,388	S	3/2011	Andre et al.
D649,450	S	11/2011	Andre et al.
D676,323	S	2/2013	Sugden et al.
D677,563	S	3/2013	Andre et al.
D701,757	S *	4/2014	Andre et al. D9/432
2006/0266672	A1	11/2006	Young
2010/0025278	A1	2/2010	Tilton

FOREIGN PATENT DOCUMENTS

JP	61-40925	3/1986
JP	D1066280	4/2000
JP	D1079431	7/2000
KR	30-0253042	2/2000
KR	30-0267299	12/2000
KR	3004262930000	9/2006
TW	0488766	9/1989
TW	D105819	8/2005

OTHER PUBLICATIONS

Search Report fo Taiwanese Design Application No. 097306924, dated Sep. 10, 2009.

* cited by examiner

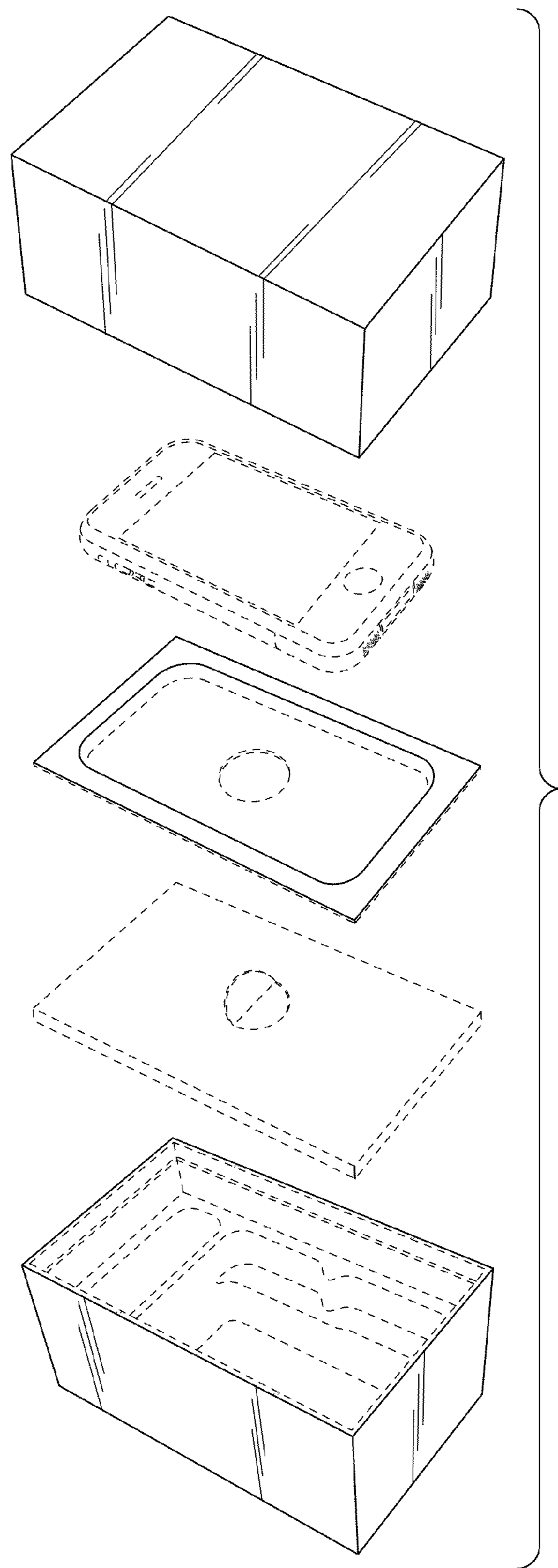


Fig 1

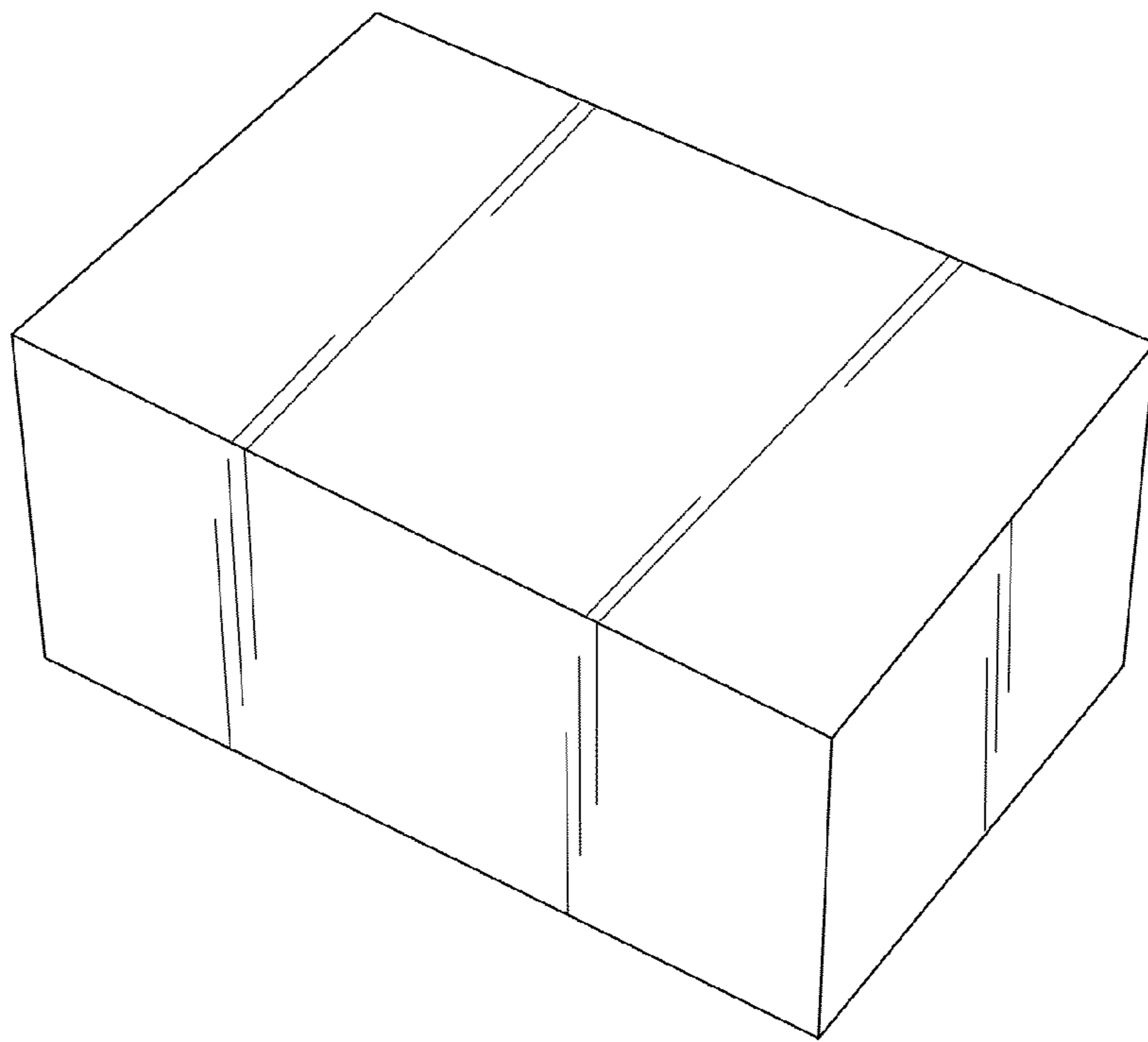


Fig 2

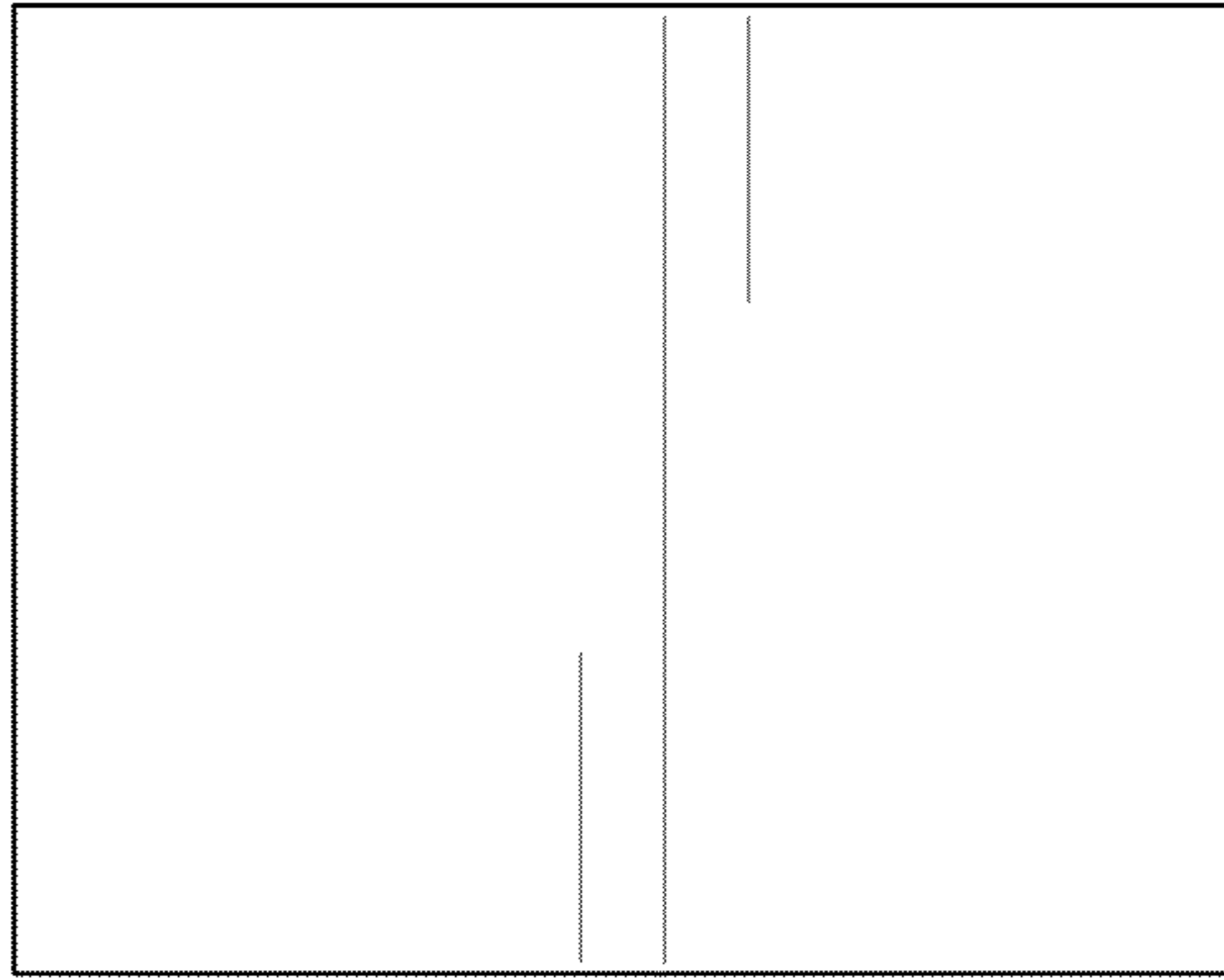


Fig 3

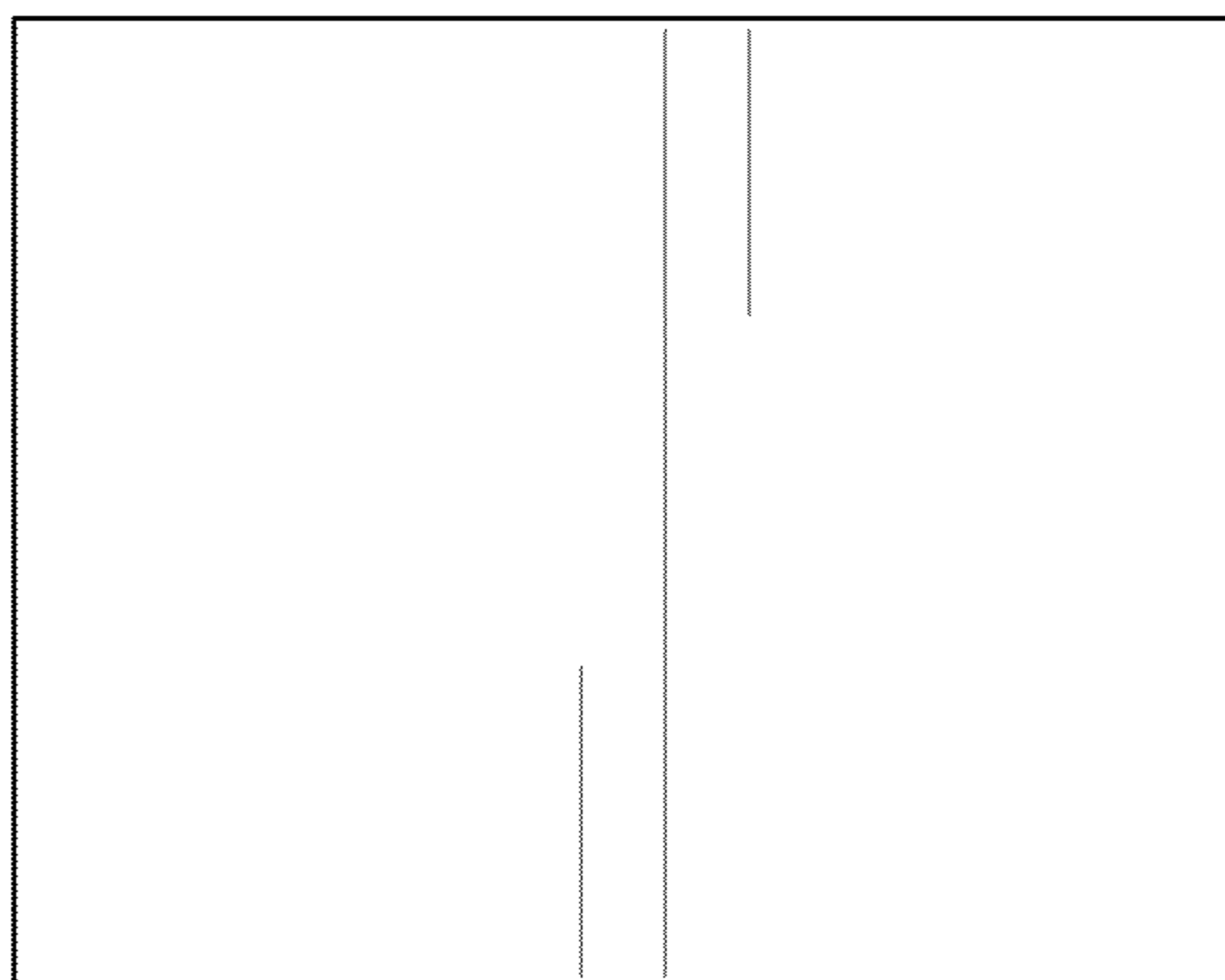


Fig 4

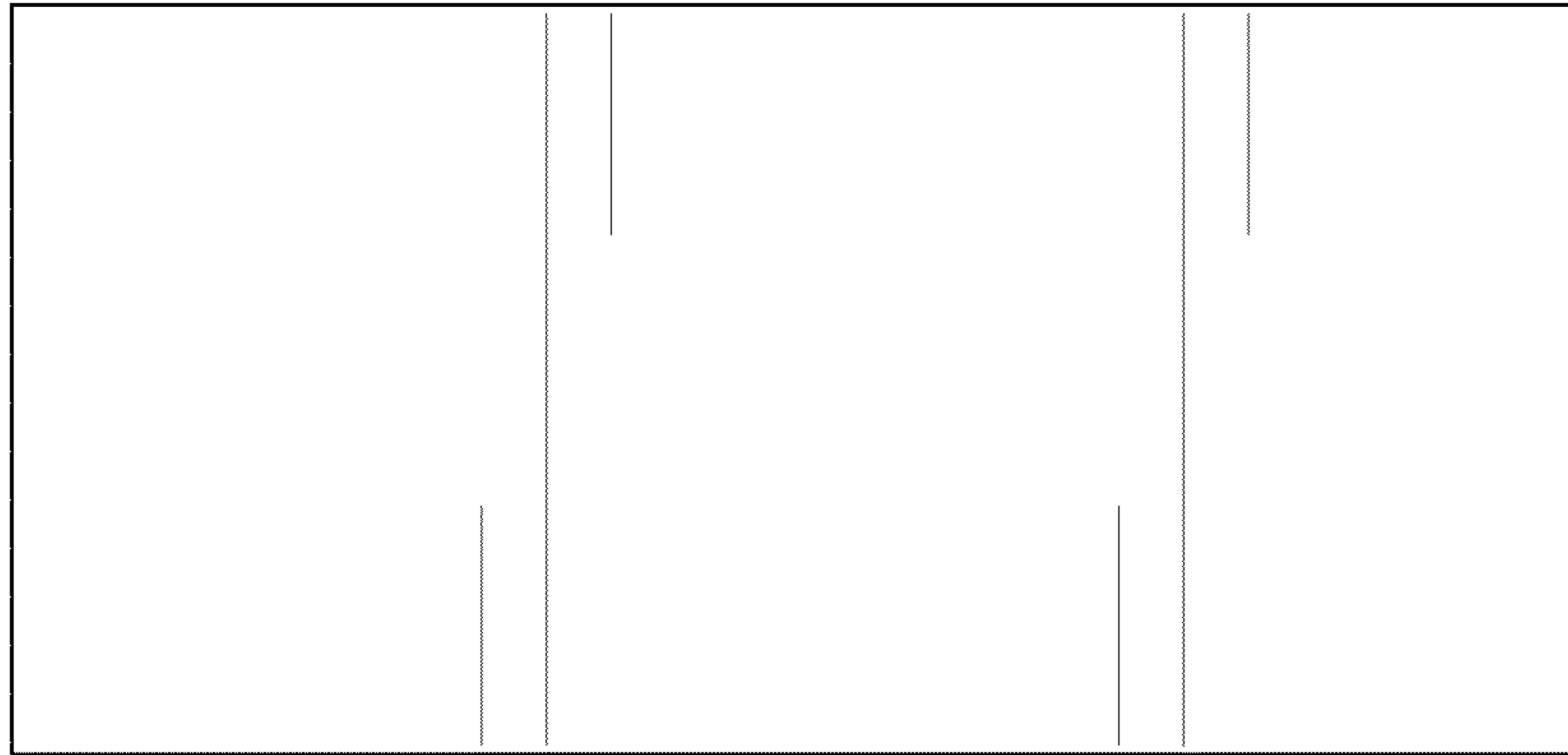


Fig 5

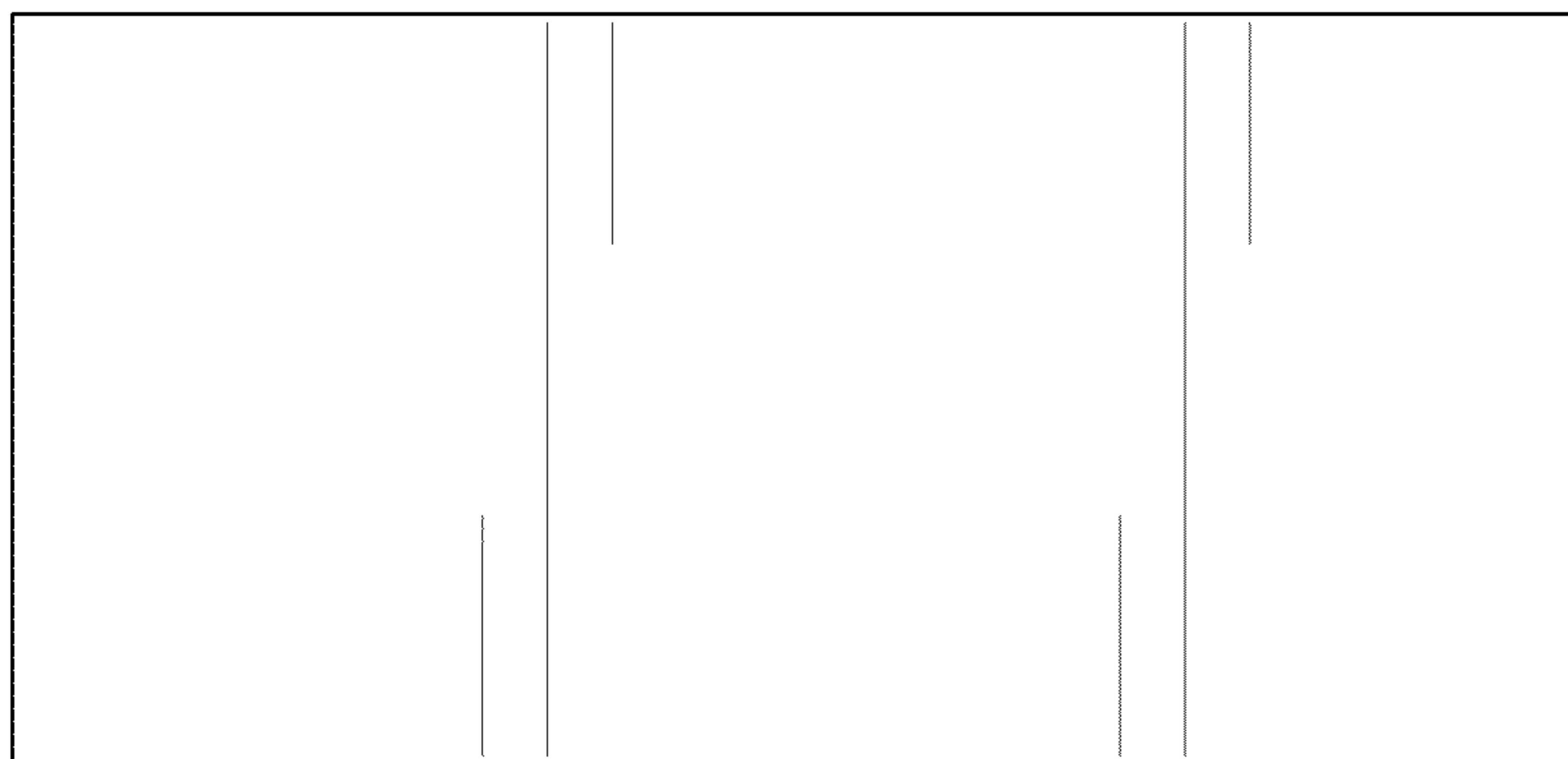


Fig 6

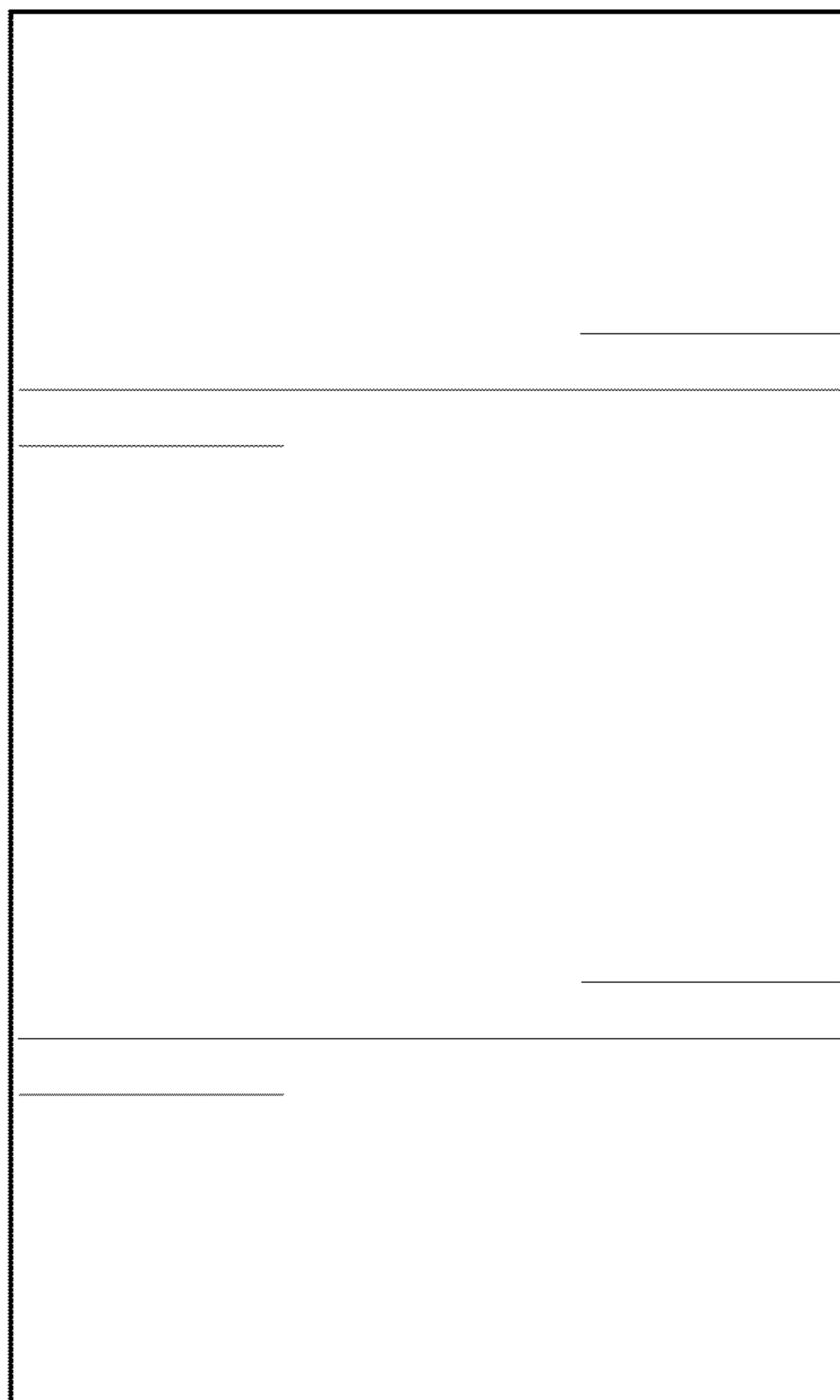


Fig 7

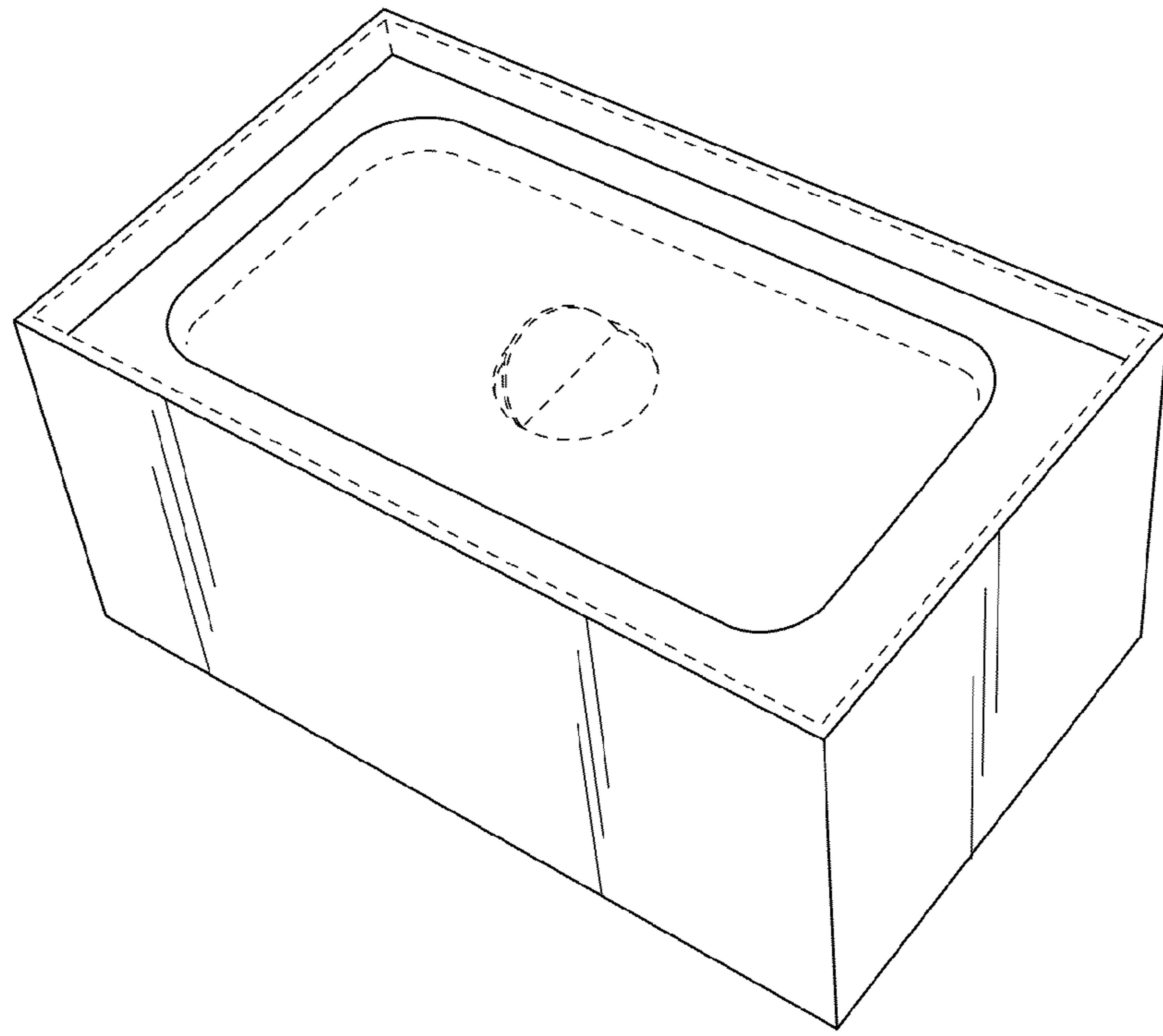


Fig 8

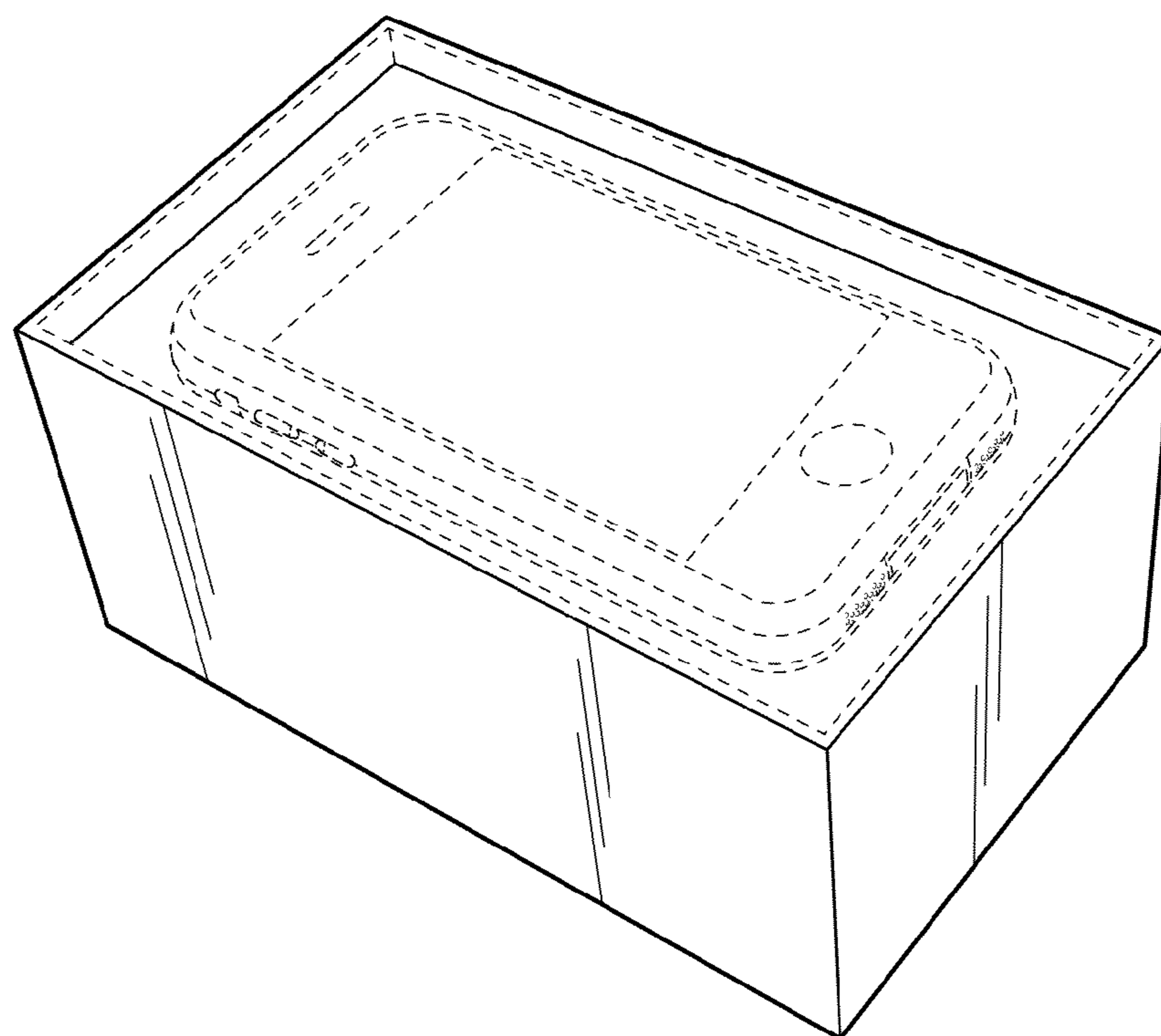


Fig 9