



US00D736617S

(12) **United States Design Patent**  
**Sy**

(10) **Patent No.:** **US D736,617 S**

(45) **Date of Patent:** **\*\* Aug. 18, 2015**

(54) **DESSERT CUP**

(71) Applicant: **Grace Sy**, Yorba Linda, CA (US)

(72) Inventor: **Grace Sy**, Yorba Linda, CA (US)

(\*\*) Term: **14 Years**

(21) Appl. No.: **29/479,206**

(22) Filed: **Jan. 13, 2014**

(51) **LOC (10) Cl.** ..... **09-03**

(52) **U.S. Cl.**

USPC ..... **D9/429; D9/430**

(58) **Field of Classification Search**

USPC ..... D9/414, 416, 424, 425, 427, 428, 429,  
D9/434, 435, 438, 440, 453, 454, 456,  
D9/500-505, 529-531, 538; 426/77, 80,  
426/86, 115, 431; 220/574, 573.1, 203.8,  
220/359.1; D7/400, 677, 675, 672, 584;  
229/123.2; 210/473; 99/295; D11/152,  
D11/153

CPC ..... B65D 2543/00092; B65D 2543/00296;  
B65D 2543/00351; B65D 2543/00731; B65D  
2543/00796; B65D 47/0847; B65D 85/8043;  
B65D 85/8046; B65D 85/60; A47J 31/407;  
A47J 31/3676; A47J 31/3623; A47J 31/22

See application file for complete search history.

(56) **References Cited**

**U.S. PATENT DOCUMENTS**

D73,786 S	*	11/1927	Katzinger	.....	D7/677
D117,347 S		10/1939	Brickley		
D118,461 S		1/1940	Towne		
D183,276 S	*	7/1958	Brickley	.....	D9/429
D264,686 S		6/1982	Davis		
D265,462 S		7/1982	Andrulionis et al.		
D283,097 S		3/1986	Daenen et al.		
D288,052 S		2/1987	Daenen et al.		
D336,041 S		6/1993	Zama		
D366,613 S		1/1996	Fultz		
D375,683 S		11/1996	Schoff		
D438,794 S		3/2001	Miles et al.		

D452,433 S		12/2001	Lazaris		
D452,434 S		12/2001	Sweeney		
D461,431 S	*	8/2002	Ciocchini	.....	D11/152
D482,276 S		11/2003	Wang		
D494,468 S		8/2004	Vovan		
D499,645 S		12/2004	Edwards		
D509,109 S	*	9/2005	Vovan	.....	D7/602
D510,843 S	*	10/2005	Vovan	.....	D7/584
D529,396 S	*	10/2006	Whipple	.....	D9/669
D541,147 S		4/2007	LaMasney		
D587,995 S	*	3/2009	Studee	.....	D9/424
D592,495 S	*	5/2009	Reiterer et al.	.....	D9/416
D627,636 S		11/2010	Fang		
D628,883 S	*	12/2010	Stephens	.....	D9/429
D629,683 S		12/2010	Fang		
D644,924 S	*	9/2011	Lin	.....	D9/429
D682,089 S	*	5/2013	Bourguignon	.....	D9/428
D684,047 S		6/2013	Hodge et al.		

(Continued)

*Primary Examiner* — Philip S Hyder

*Assistant Examiner* — Keith Frank

(74) *Attorney, Agent, or Firm* — Benjamin M. Hanrahan;  
Hanrahan Law Firm, P.A.

(57) **CLAIM**

The ornamental design for a dessert cup, as shown and described.

**DESCRIPTION**

FIG. 1 is a bottom perspective view illustrating my/our design for a dessert cup.

FIG. 2 is a top perspective view thereof.

FIG. 3 is a front view thereof, the rear view being identical thereto.

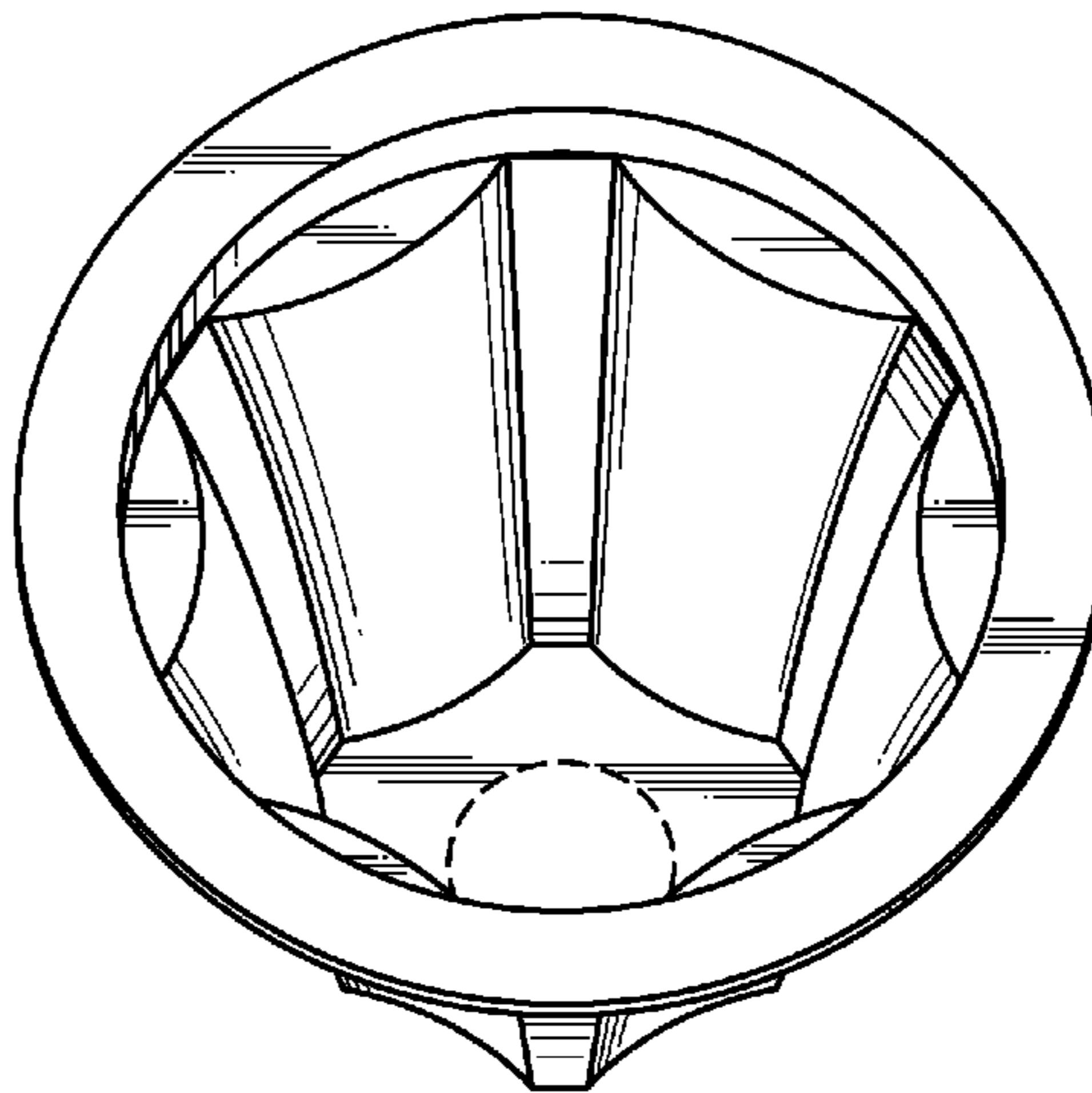
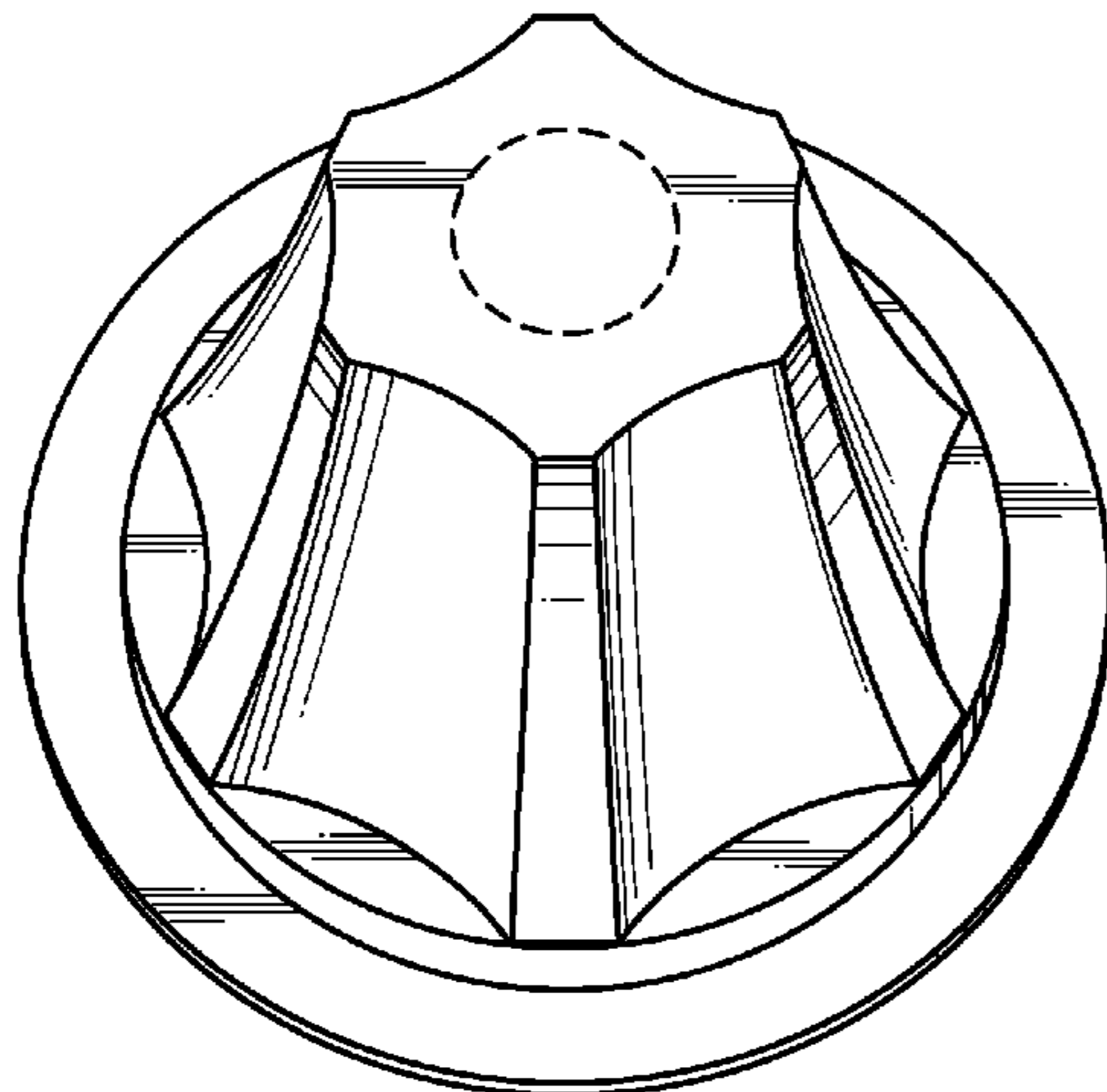
FIG. 4 is a left side view thereof, the right side view being identical thereto.

FIG. 5 is a top view thereof; and,

FIG. 6 is a bottom view thereof.

The broken lines shown in the drawings depict portions of the dessert cup in which the design is embodied that forms no part of the claimed design.

**1 Claim, 5 Drawing Sheets**



(56)

**References Cited**

U.S. PATENT DOCUMENTS

D684,460 S      6/2013 Hodge et al.

D684,856 S      6/2013 Hodge et al.  
D685,631 S \*    7/2013 Rapparini ..... D9/429  
D705,064 S \*    5/2014 Sy ..... D9/500

\* cited by examiner

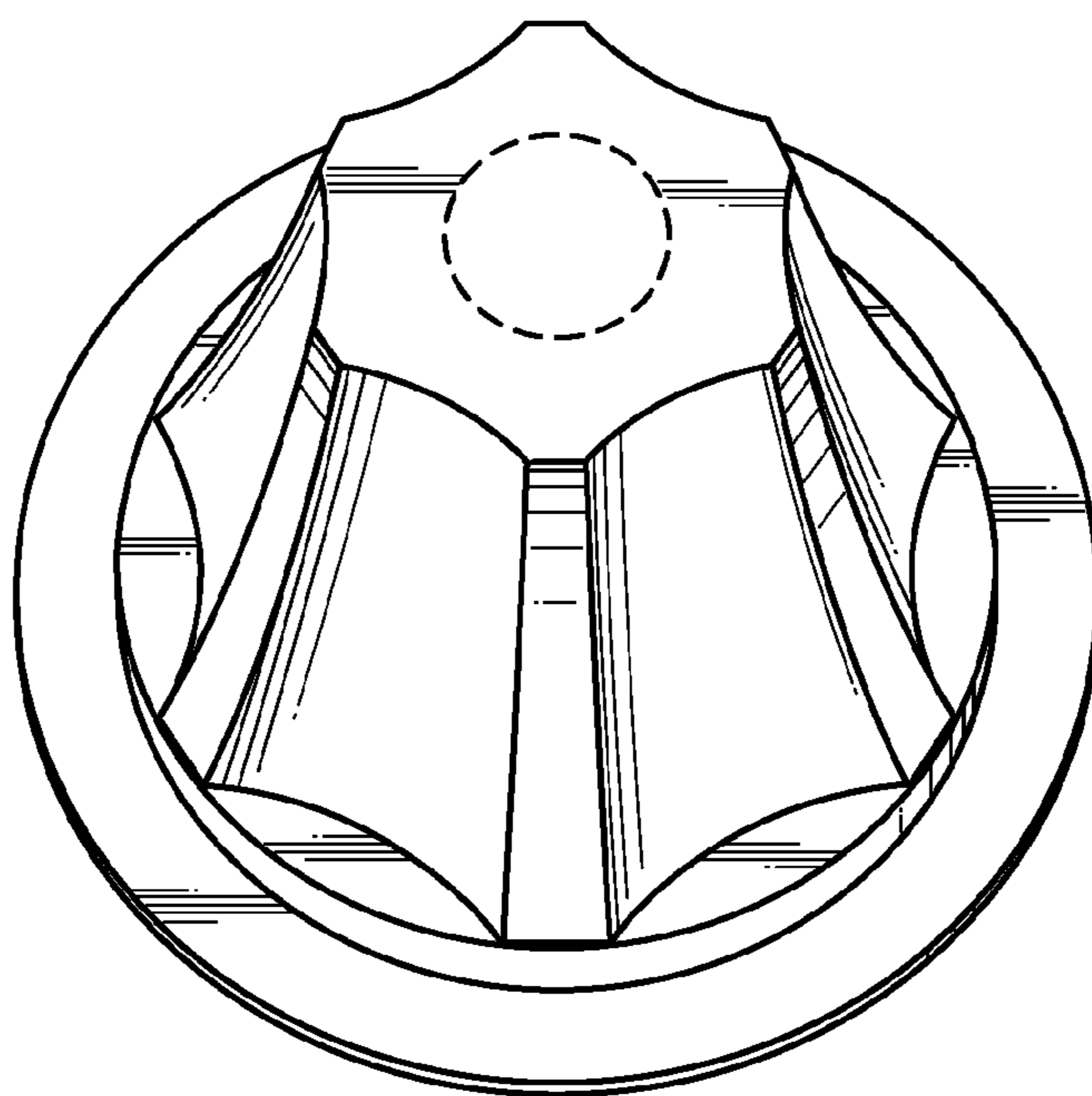


FIG. 1

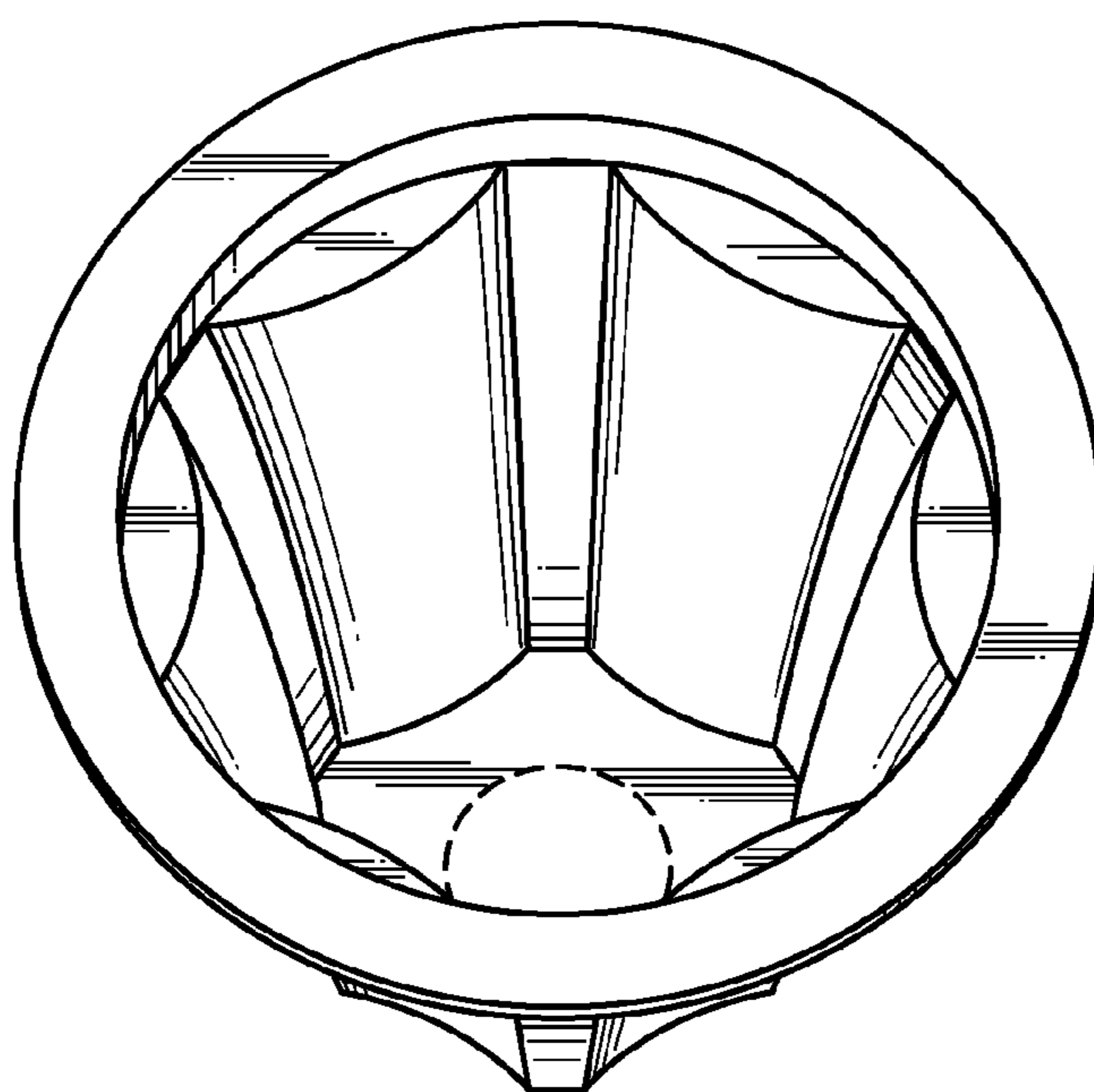


FIG. 2

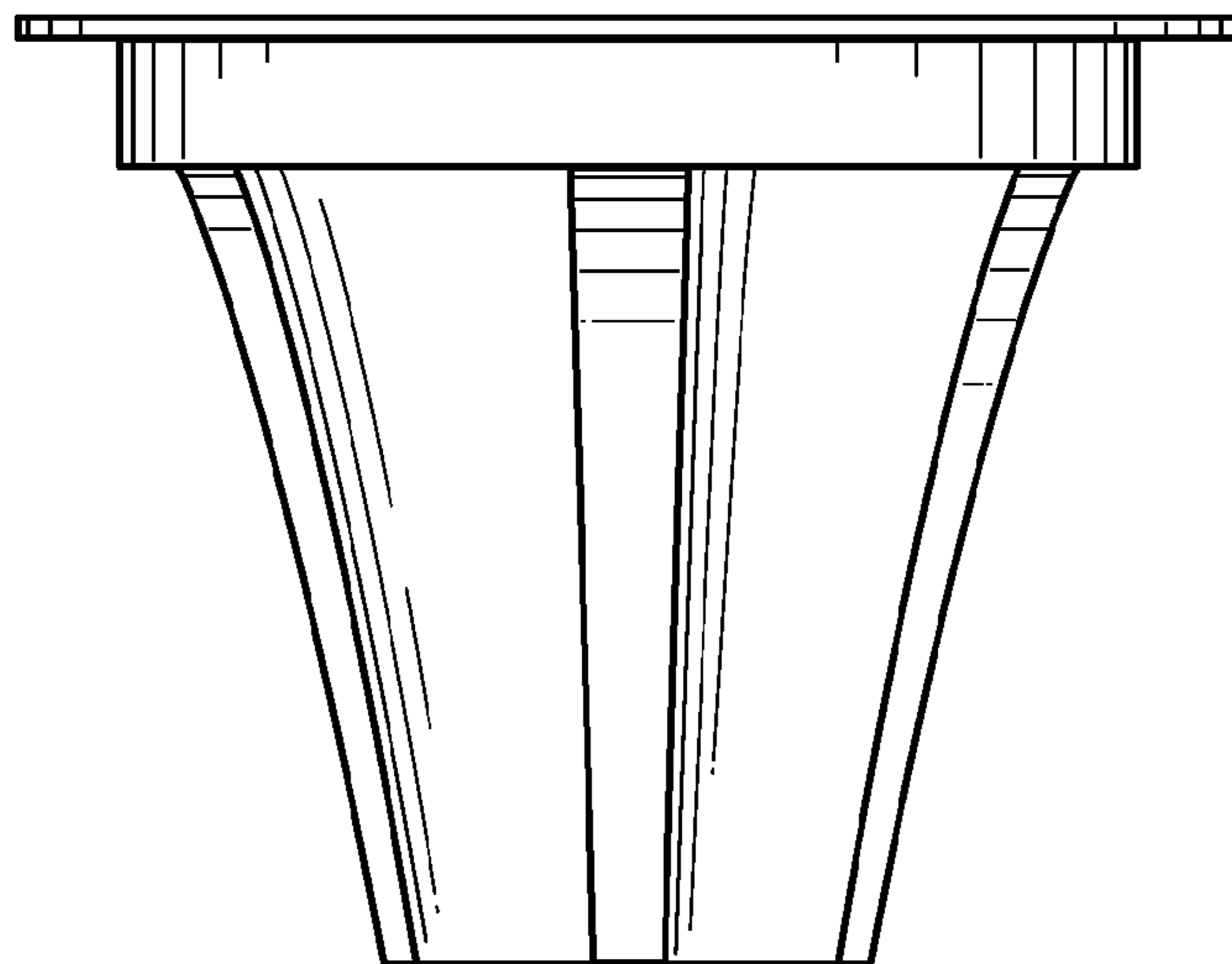


FIG. 3

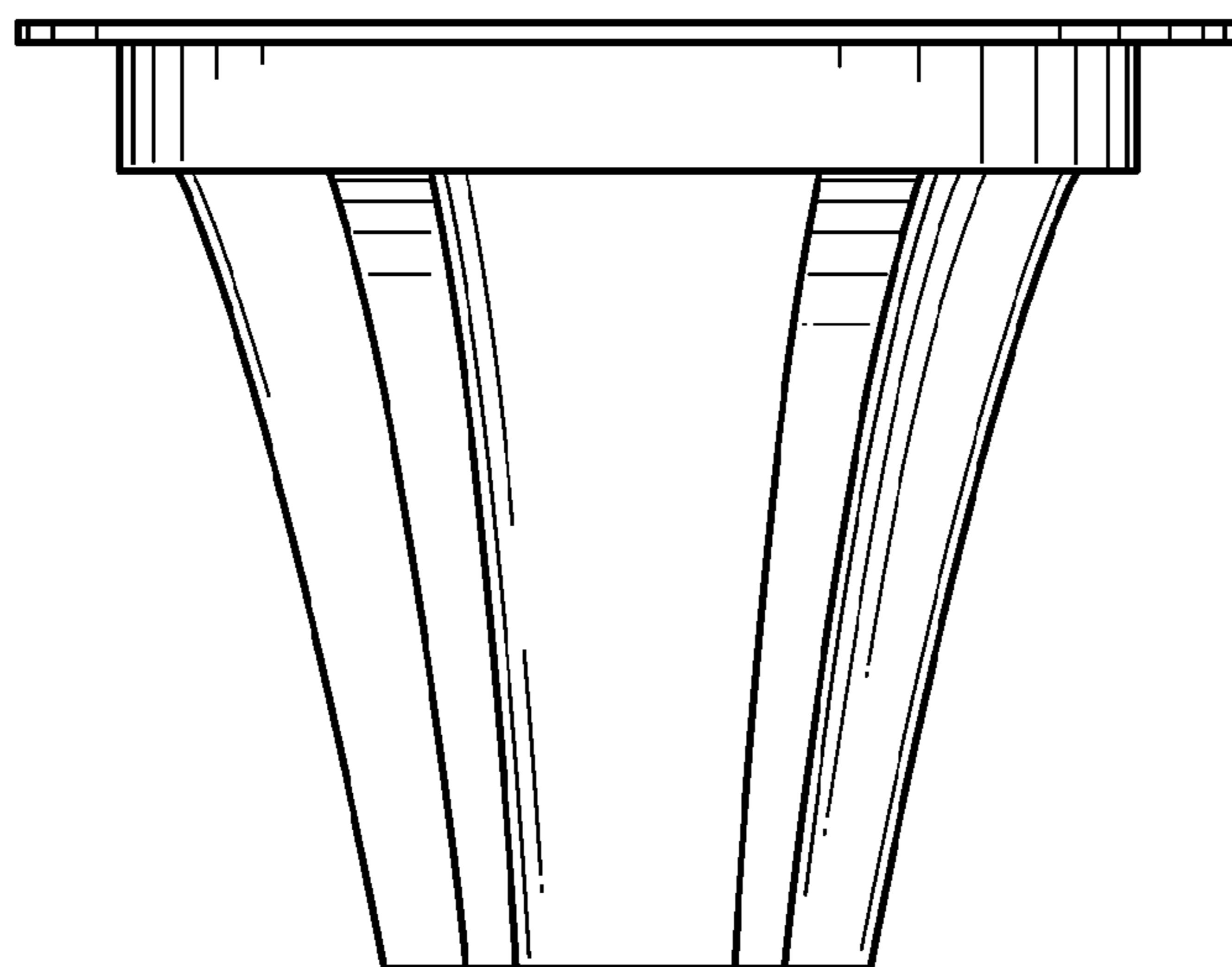


FIG. 4

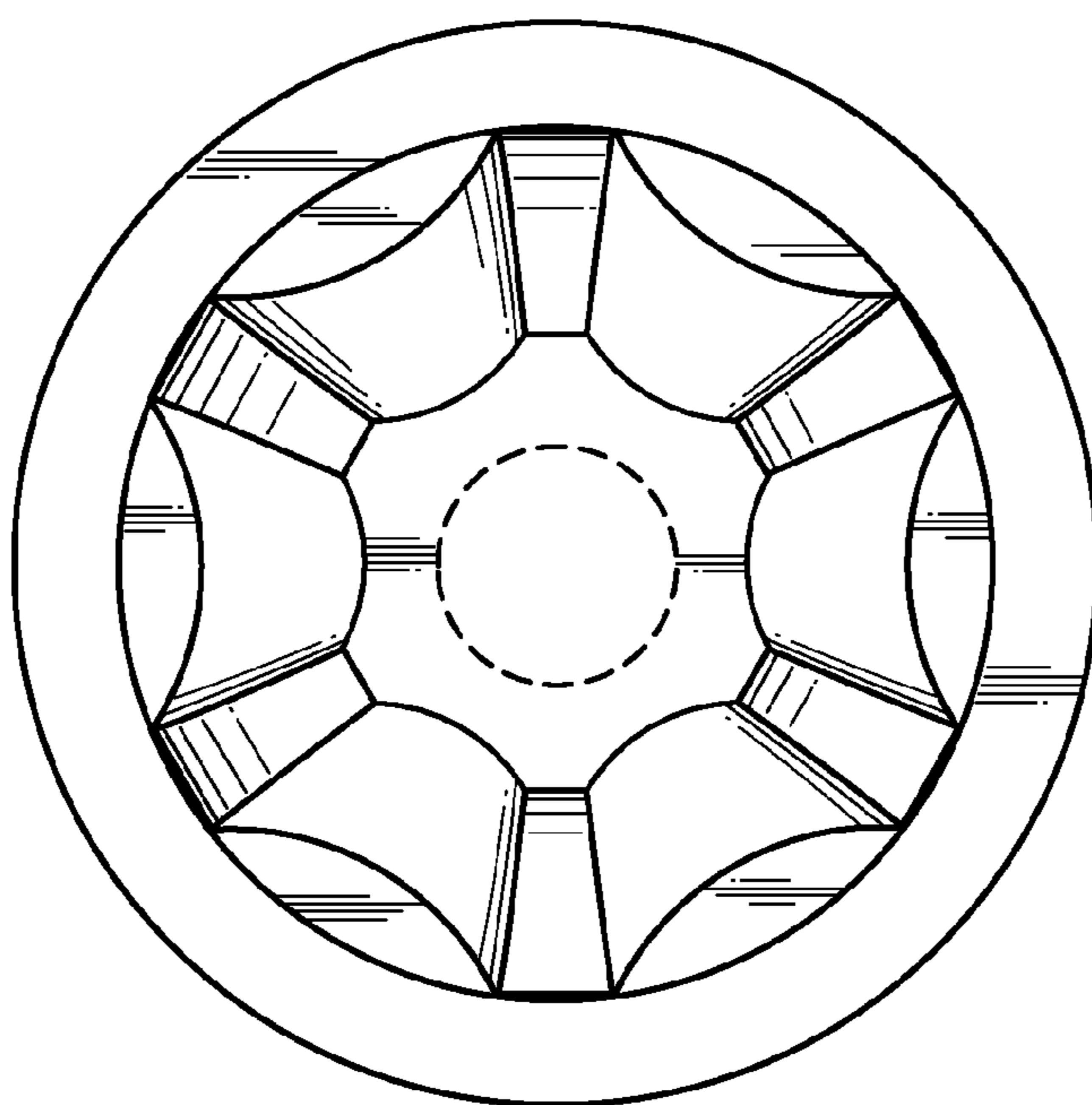


FIG. 5

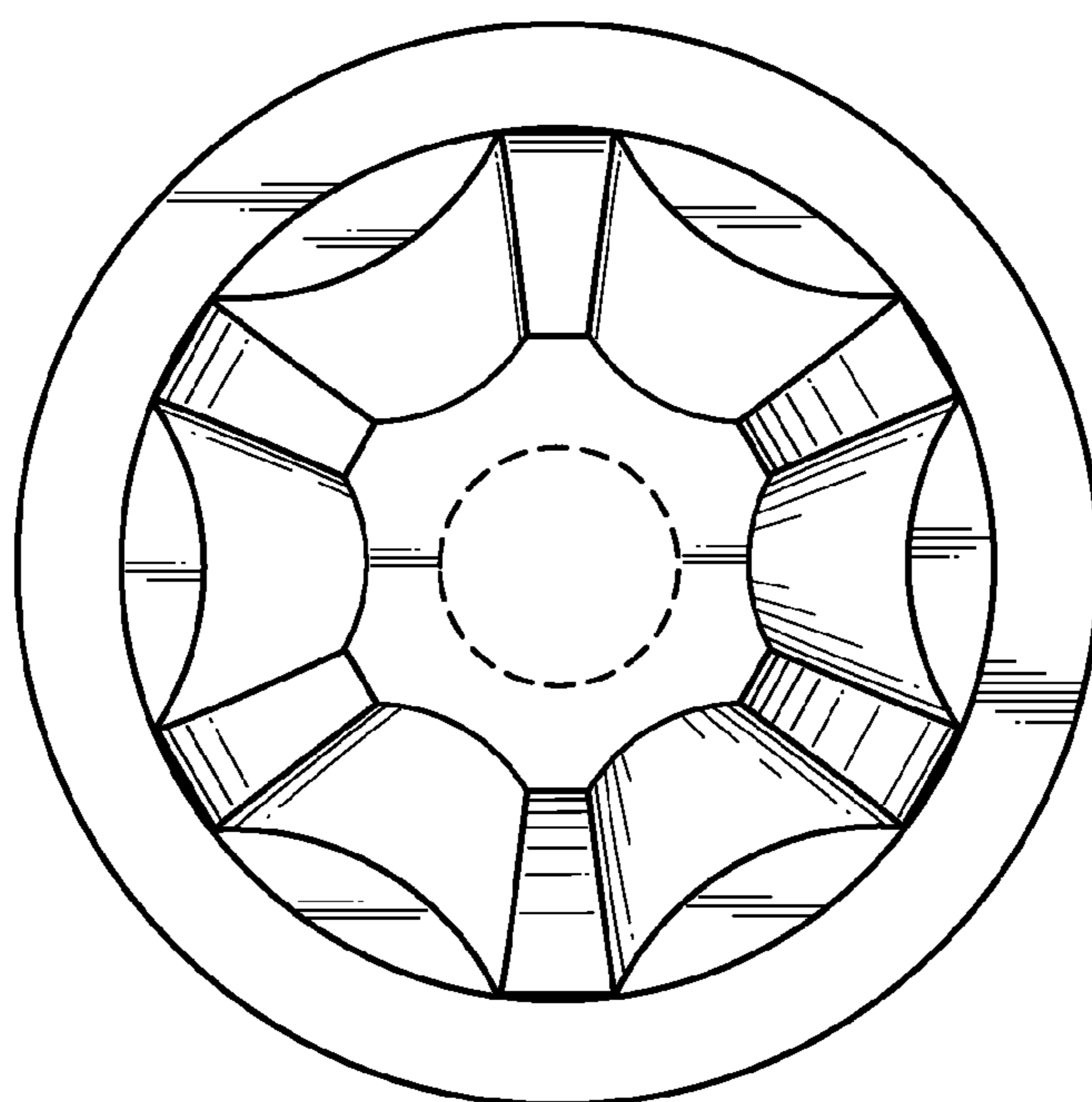


FIG. 6