



US00D736616S

(12) **United States Design Patent**  
**Suen et al.**

(10) **Patent No.:** **US D736,616 S**

(45) **Date of Patent:** **\*\* Aug. 18, 2015**

(54) **FOOD CONTAINER WITH A HOLDER**

(71) Applicant: **KCP FOOD (U.S.) INC.**, New York, NY  
(US)

(72) Inventors: **Wilson Hon Yung Suen**, Ontario (CA);  
**Colin Ho-Him To**, Ontario (CA)

(73) Assignee: **KCP FOOD (U.S.) Inc.**, New York, NY  
(US)

(\*\*) Term: **14 Years**

(21) Appl. No.: **29/479,185**

(22) Filed: **Jan. 13, 2014**

(51) **LOC (10) Cl.** ..... **09-03**

(52) **U.S. Cl.**  
USPC ..... **D9/425**; D9/432; D9/436

(58) **Field of Classification Search**  
USPC ..... D9/414, 418–426, 428–432, 434–436,  
D9/454, 455, 499; D3/200, 273, 328;  
D7/392.1, 553.2, 551.1, 538, 543, 601,  
D7/602, 604, 608, 610, 612, 629; 206/483,  
206/488, 490, 503, 504, 557, 562, 565,  
206/521.1, 775, 776, 815, 822; 220/676,  
220/781, 786, 788, 790, 793, 912; 229/406,  
229/407, 906, 915, 925  
CPC ..... B65D 1/40; B65D 33/02; B65D 25/04;  
B65D 85/52; B65D 11/00; B65D 2543/00194;  
B65D 2543/00296; B65D 2543/00731; B65D  
2571/00796; B65D 5/2047; B65D 85/34;  
B65D 90/041; B65D 2543/00361  
See application file for complete search history.

(56) **References Cited**

**U.S. PATENT DOCUMENTS**

D334,536 S *	4/1993	Long et al. ....	D9/425
D414,409 S *	9/1999	Sanfilippo et al. ....	D9/761
D447,917 S *	9/2001	Miller et al. ....	D7/629
D484,795 S *	1/2004	Barnes et al. ....	D9/414

D504,326 S *	4/2005	Vovan .....	D9/761
D511,435 S *	11/2005	Roth et al. ....	D7/392.1
D531,054 S *	10/2006	Sagel .....	D9/737
D555,475 S *	11/2007	Enriquez et al. ....	D9/737
D572,540 S *	7/2008	Shew et al. ....	D7/629
D596,499 S *	7/2009	Willis et al. ....	D9/761
D600,504 S *	9/2009	Clark .....	D7/553.5
D607,722 S *	1/2010	Masotti et al. ....	D9/424
D615,821 S *	5/2010	Stamper .....	D7/541
D618,091 S *	6/2010	Bizzell .....	D9/424
D633,341 S *	3/2011	Smyers .....	D7/555
D634,619 S *	3/2011	Fisher .....	D9/425
7,942,260 B1 *	5/2011	Rodriguez .....	206/217

(Continued)

*Primary Examiner* — Philip S Hyder

*Assistant Examiner* — Keith Frank

(74) *Attorney, Agent, or Firm* — Tarter Krinsky & Drogin  
LLP

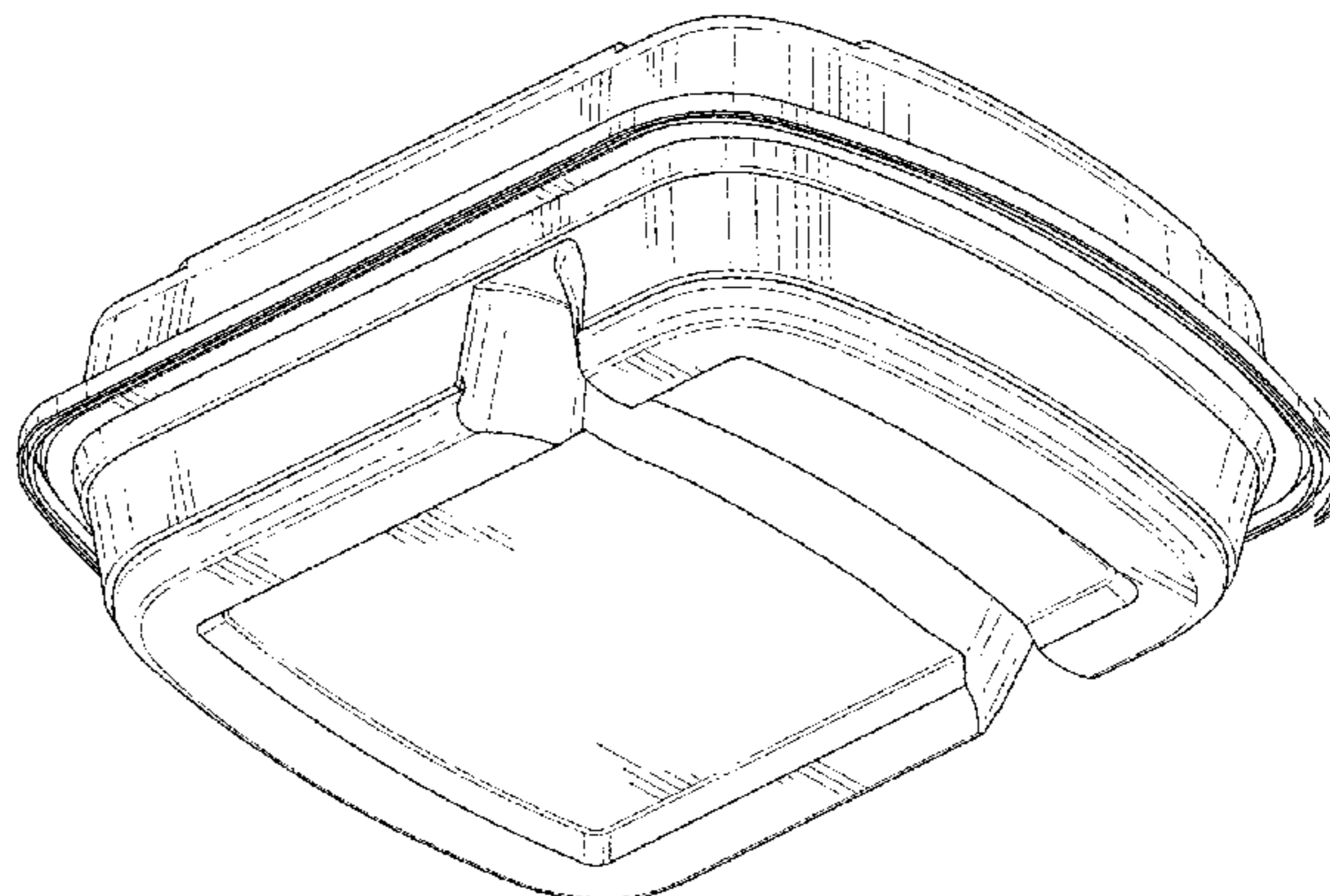
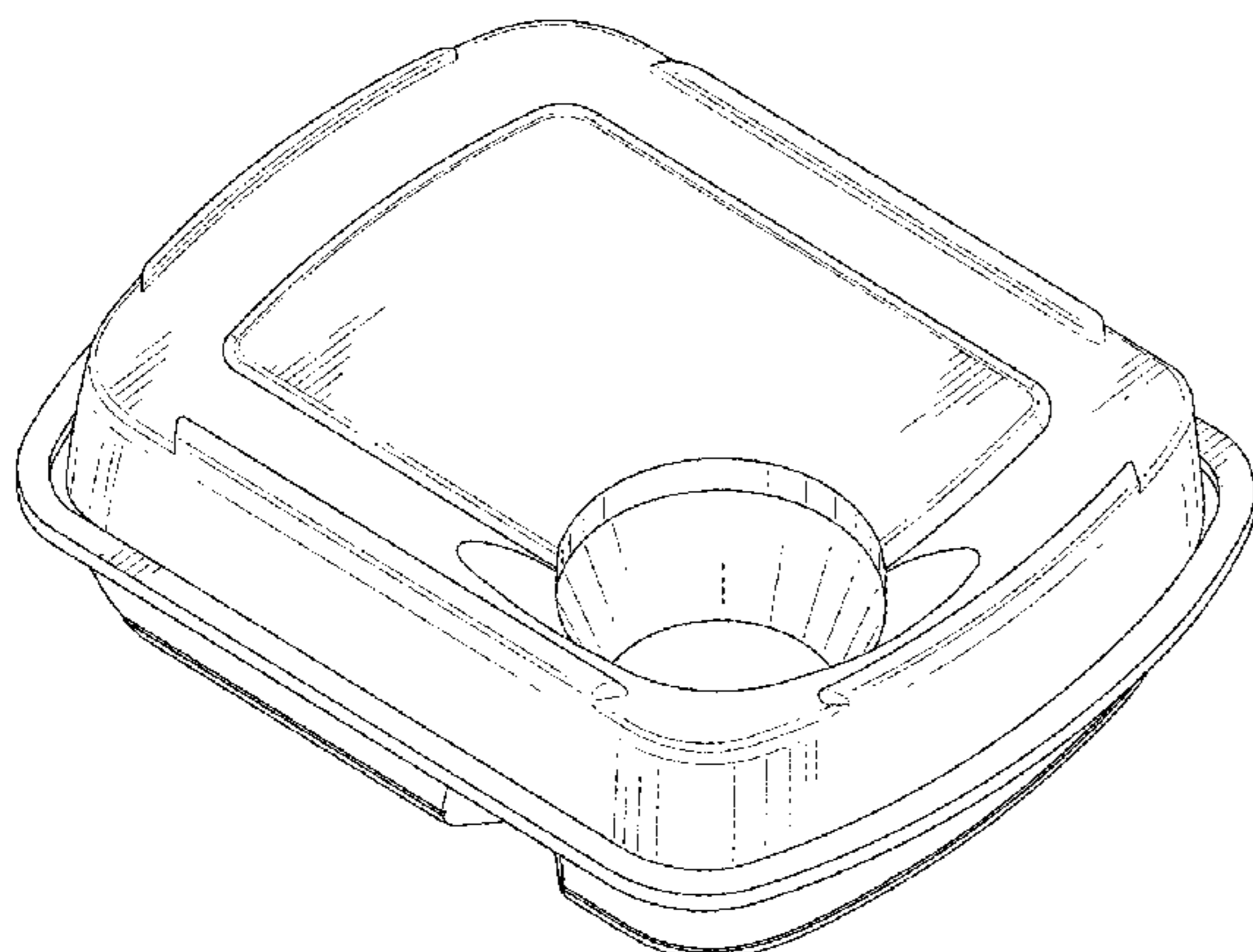
(57) **CLAIM**

The ornamental design for a food container with a holder, as shown and described.

**DESCRIPTION**

FIG. 1 is a top perspective view of a food container with holder of our new design with the top and bottom portions shown in a separated condition;  
FIG. 2 is a bottom perspective view thereof;  
FIG. 3 is a top plan view of FIG. 1 showing the top and bottom portions side by side thereof;  
FIG. 4 is a bottom plan view of FIG. 3;  
FIG. 5 is a front view showing the top and bottom portions vertically stacked;  
FIG. 6 is a rear view of FIG. 5;  
FIG. 7 is a first side view of FIG. 5;  
FIG. 8 is a second side view of FIG. 5;  
FIG. 9 is a top perspective view of FIG. 1 in a sealed configuration thereof; and,  
FIG. 10 is a bottom perspective view thereof.  
We have invented an ornamental design for a food container with a holder.

**1 Claim, 7 Drawing Sheets**



# US D736,616 S

Page 2

---

(56)

## References Cited

### U.S. PATENT DOCUMENTS

D641,259 S \* 7/2011 Wilson et al. .... D9/751  
D691,854 S \* 10/2013 Dabney-Wiggs ..... D7/551.1

D691,855 S \* 10/2013 Dabney-Wiggs ..... D7/553.2  
D704,987 S \* 5/2014 Stamper et al. .... D7/392.1  
2004/0149755 A1 \* 8/2004 Olivar ..... 220/212  
2014/0238982 A1 \* 8/2014 Dabney-Wiggs ..... 220/23.83

\* cited by examiner

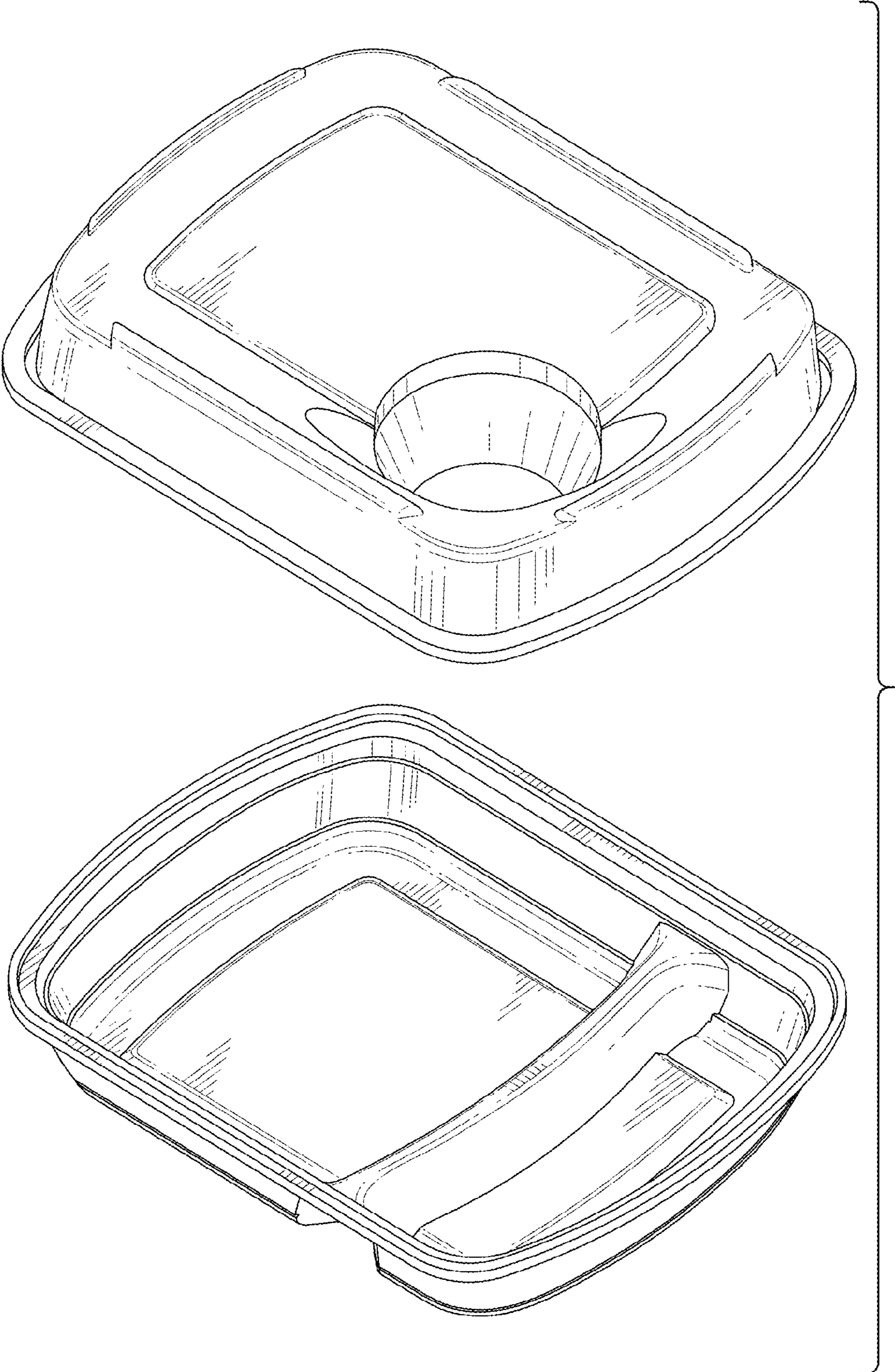


FIG. 1



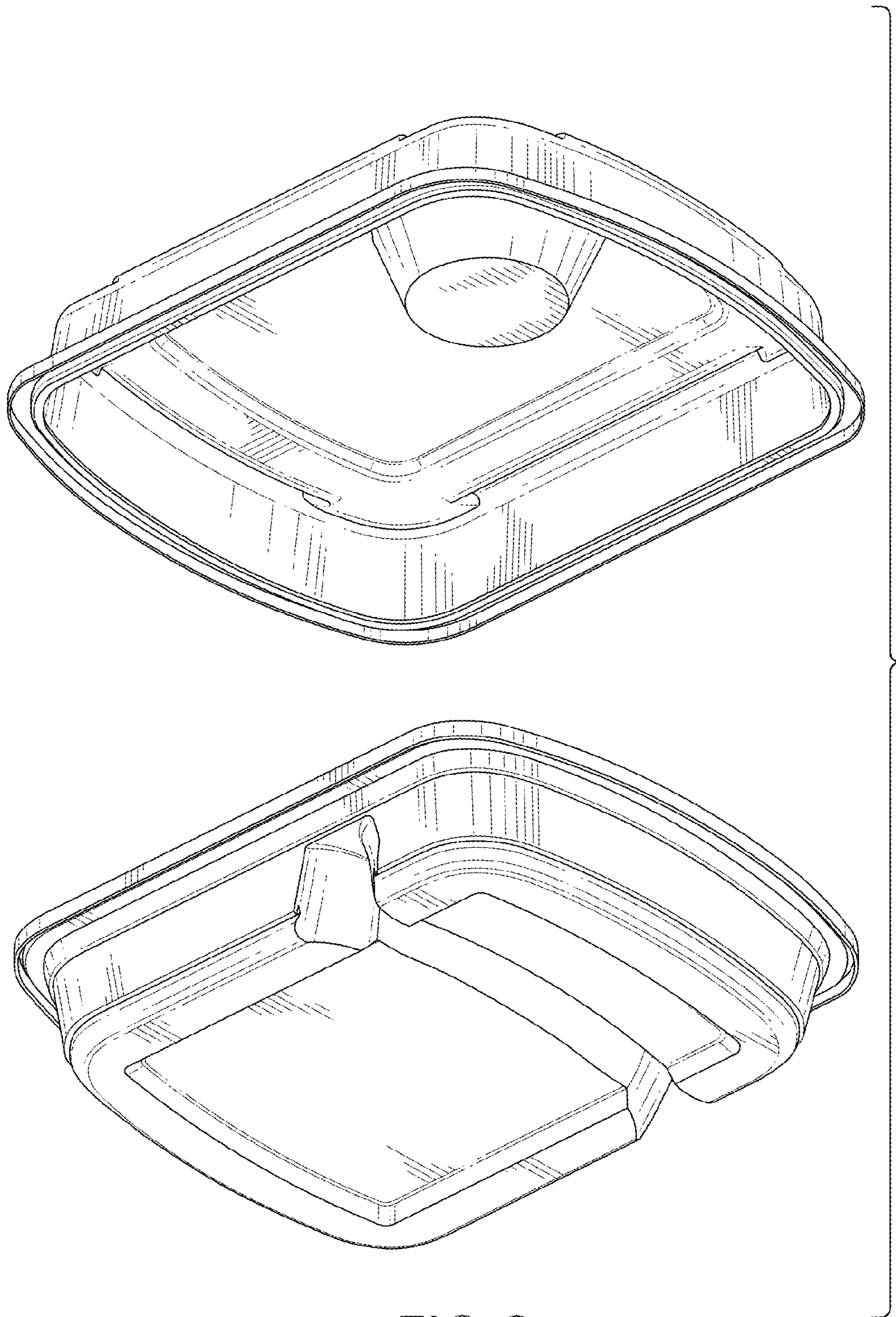


FIG. 2

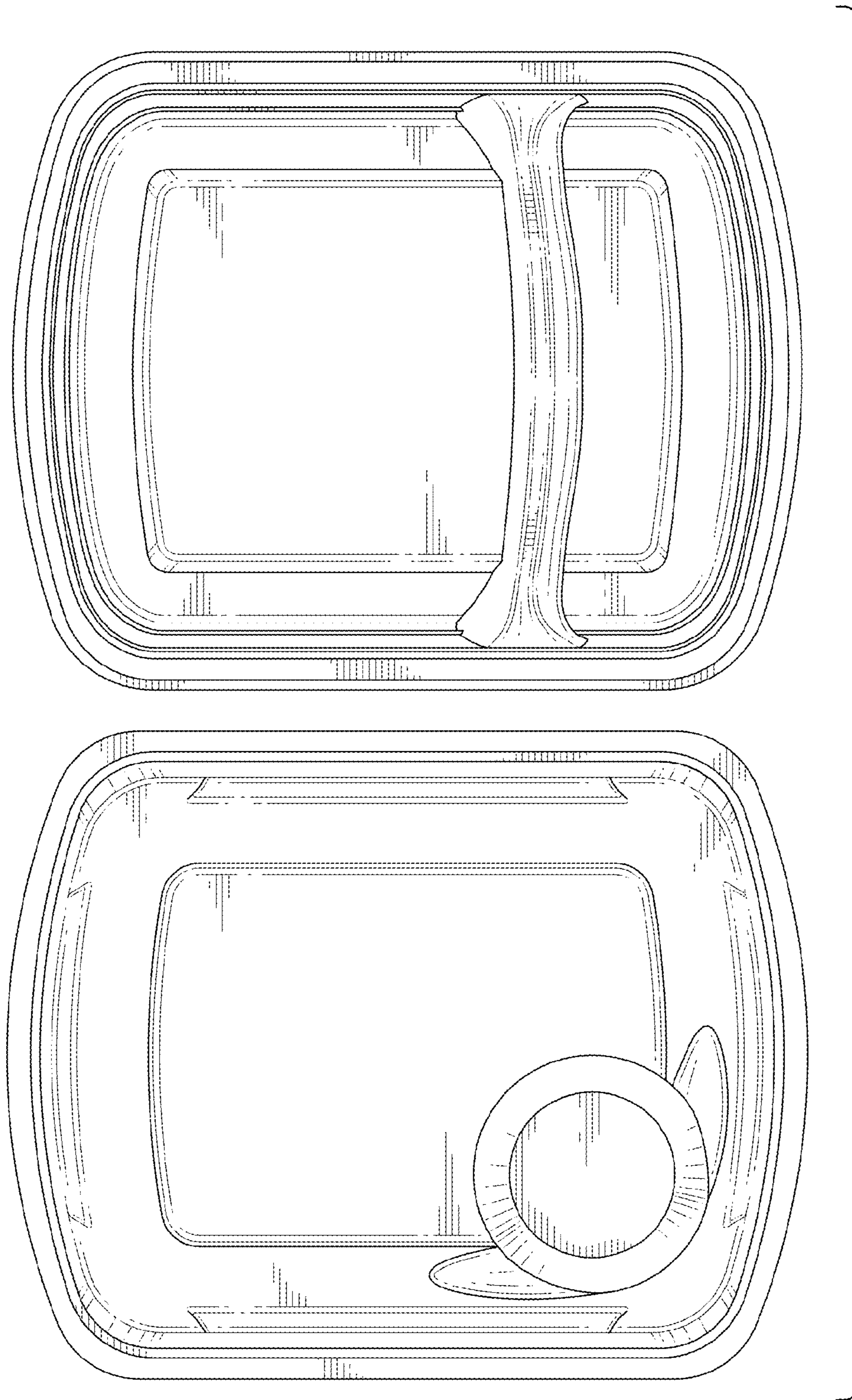


FIG. 3

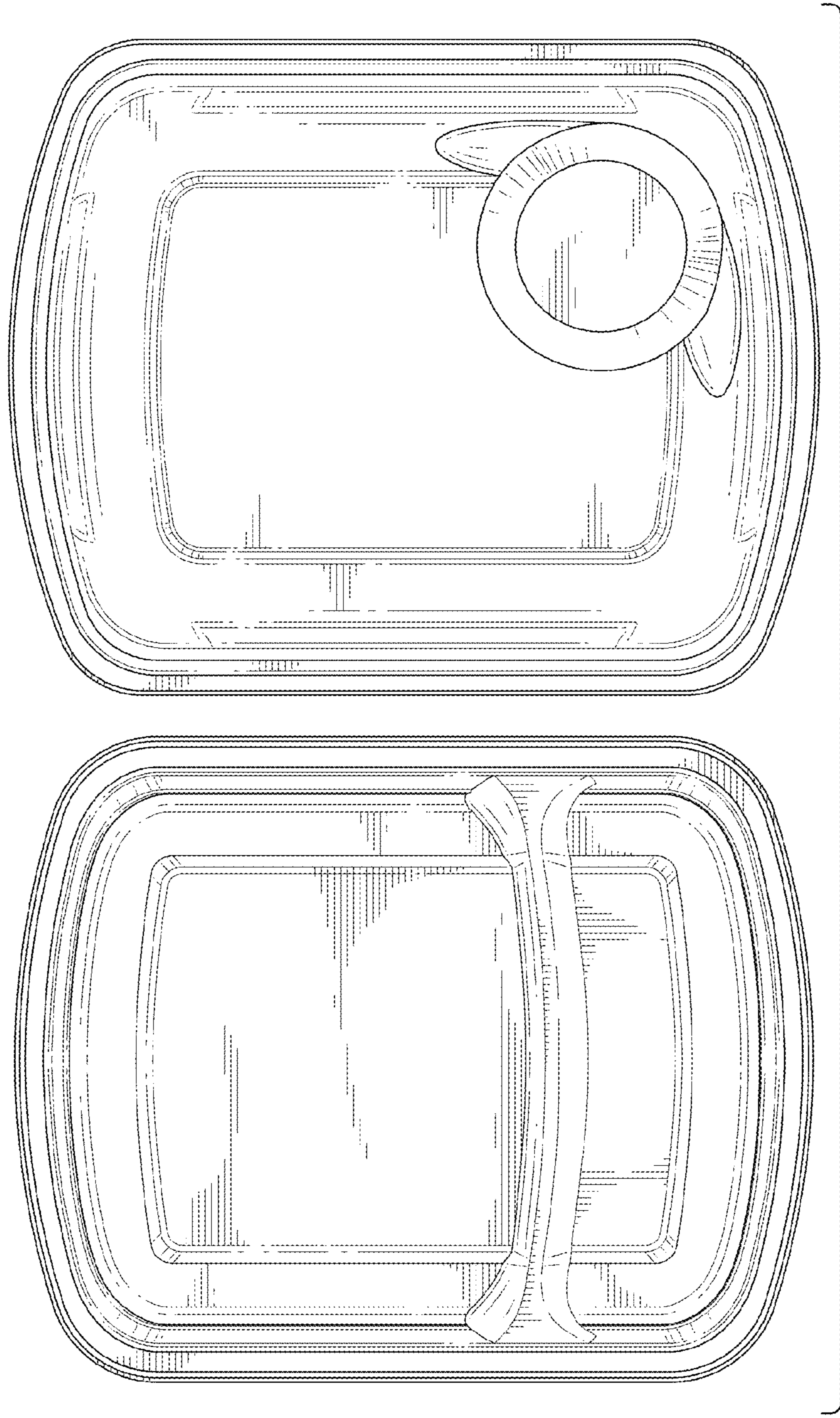


FIG. 4



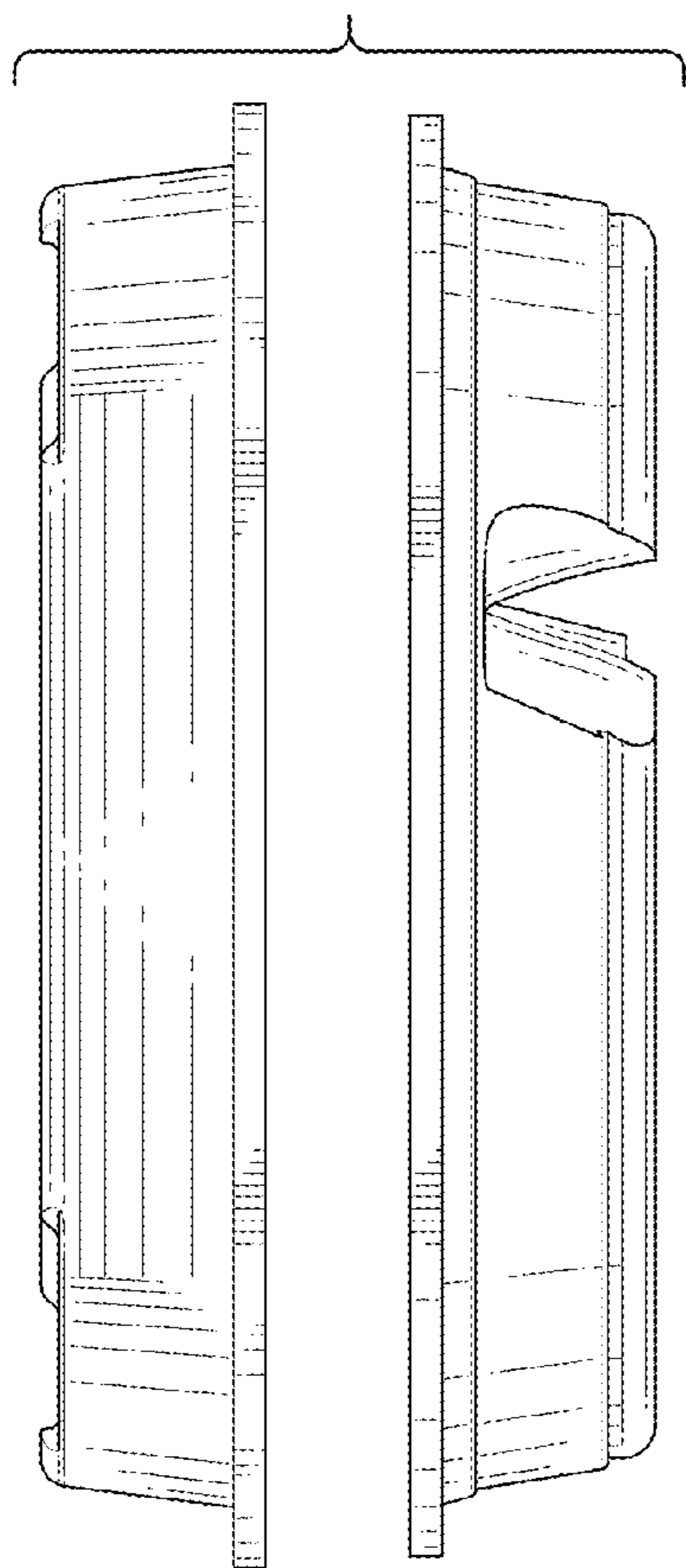


FIG. 5

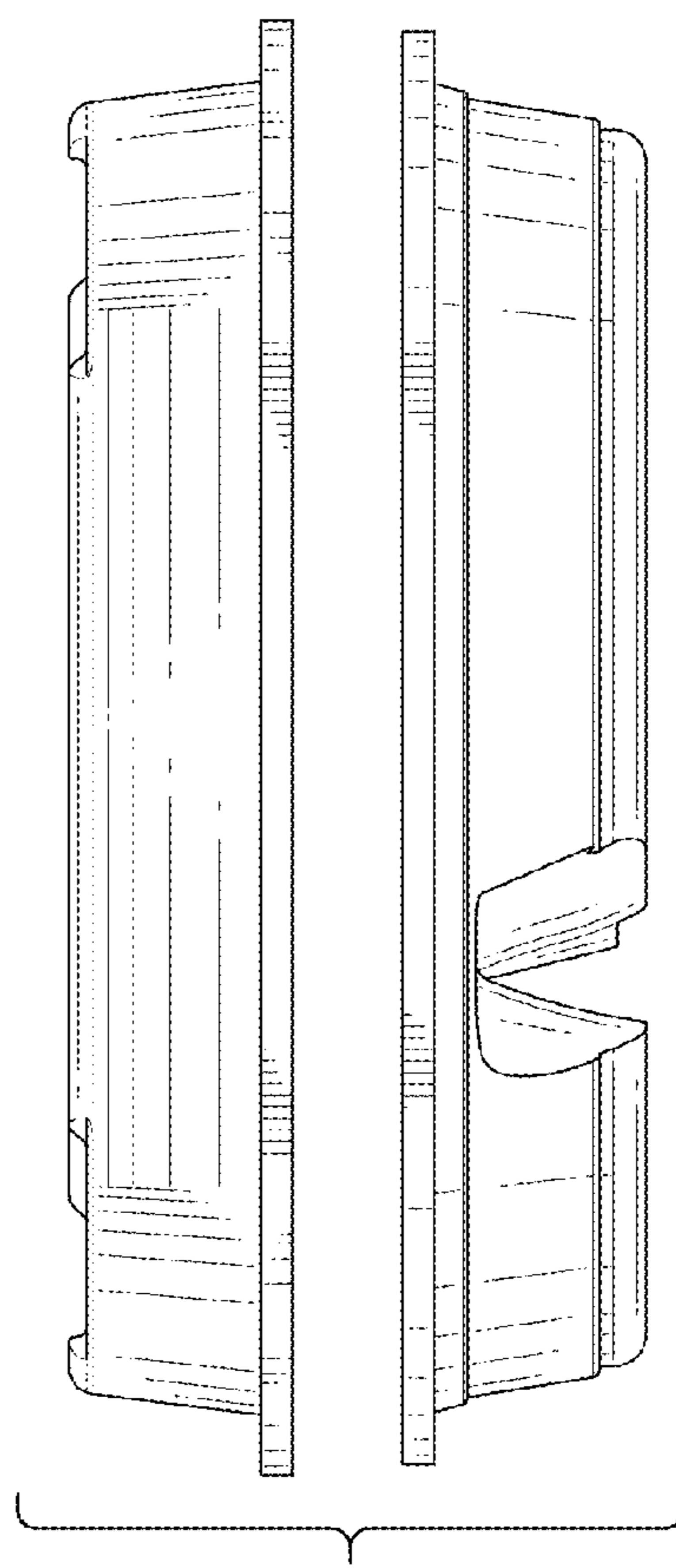


FIG. 6

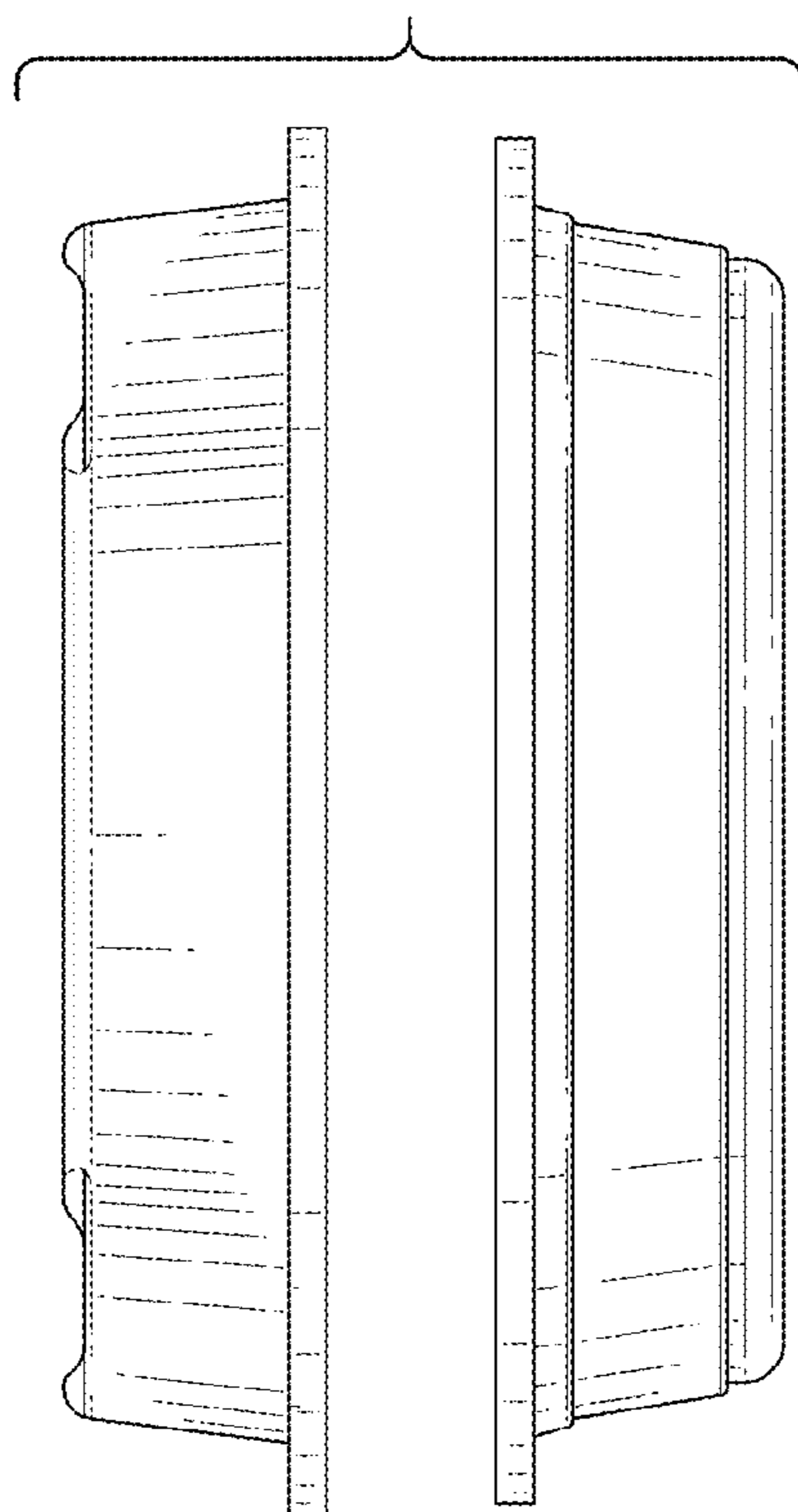


FIG. 8

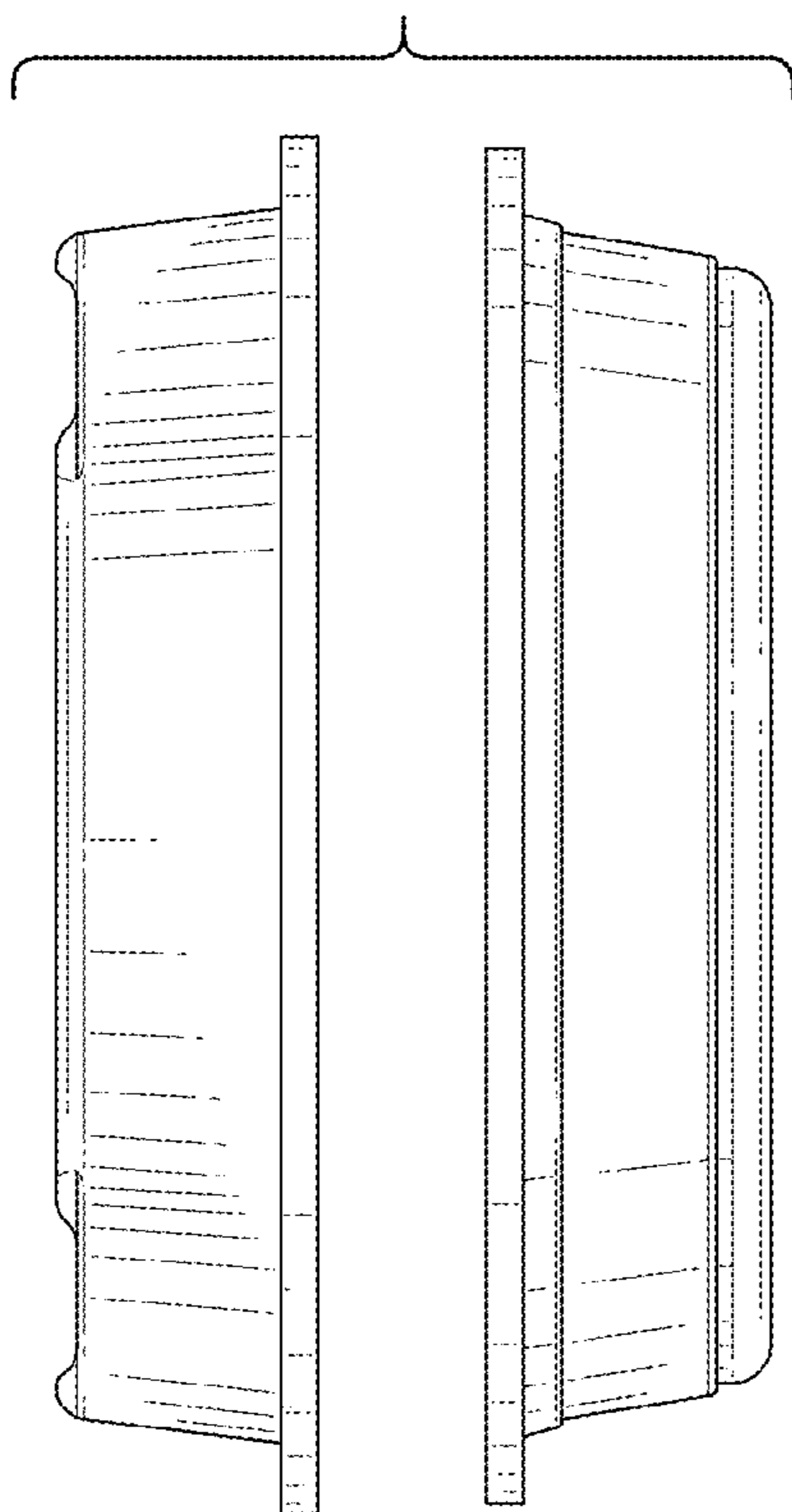


FIG. 7



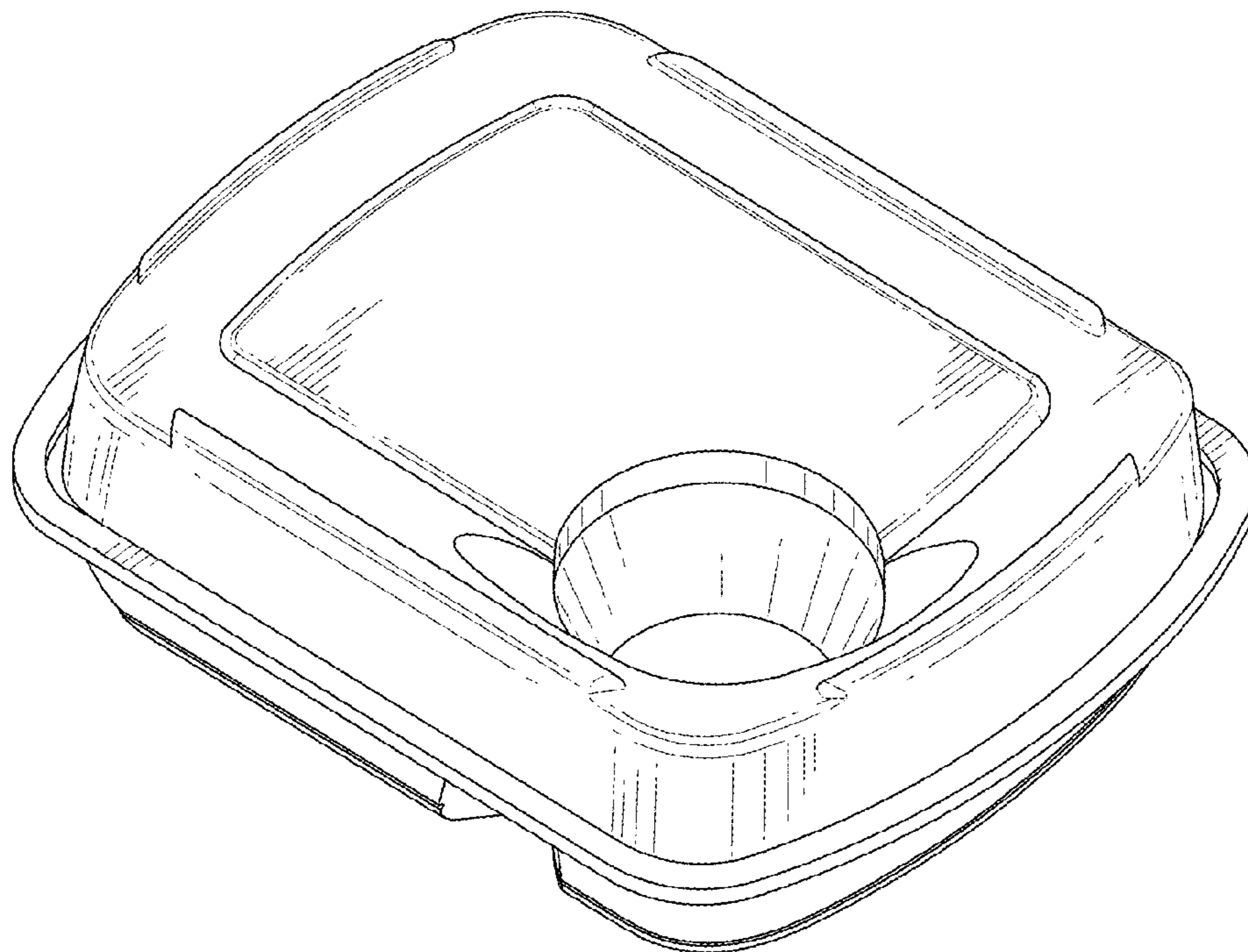


FIG. 9

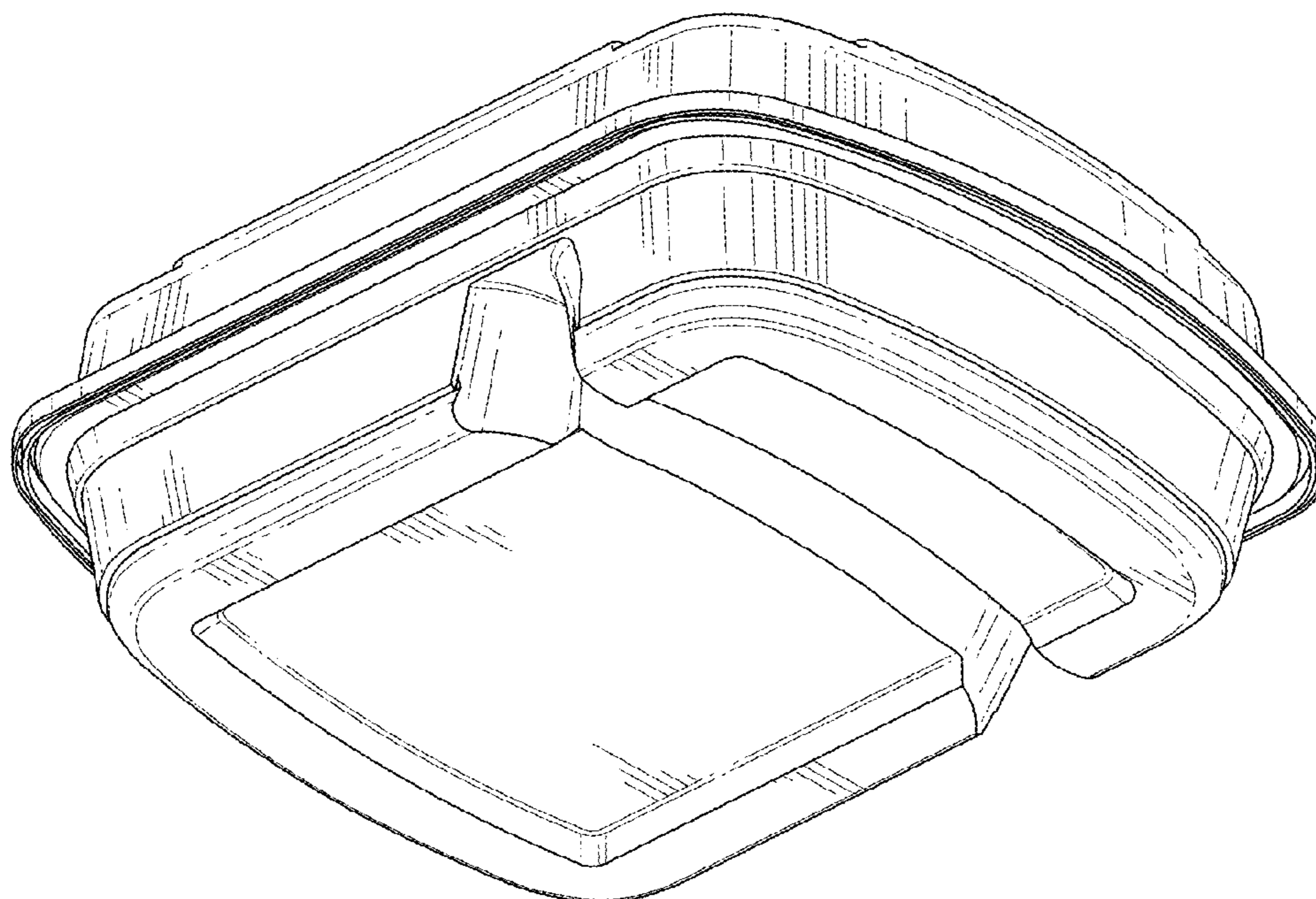


FIG. 10