

US00D736615S

(12) **United States Design Patent**  
**O'Brien et al.**

(10) **Patent No.:** **US D736,615 S**

(45) **Date of Patent:** **\*\* Aug. 18, 2015**

- (54) **CONTAINER WITH SPOUT**
- (71) Applicant: **Printpack Illinois, Inc.**, Elgin, IL (US)
- (72) Inventors: **Patrick L. O'Brien**, Toano, VA (US);  
**David T. Foster**, Williamsburg, VA (US)
- (73) Assignee: **Printpack Illinois, Inc.**, Elgin, IL (US)
- (\*\*) Term: **14 Years**

- (21) Appl. No.: **29/510,788**
- (22) Filed: **Dec. 3, 2014**
- (51) **LOC (10) Cl.** ..... **09-03**
- (52) **U.S. Cl.**  
USPC ..... **D9/417**
- (58) **Field of Classification Search**  
USPC ..... D9/414-416, 439, 429, 503, 500, 425,  
D9/428, 424, 696, 434, 520, 778; D7/400,  
D7/531, 511, 615; 99/295; 426/80, 115,  
426/112, 77; 220/521; 53/282; D24/220;  
D19/66; D13/102  
CPC .. B65D 85/8043; B65D 85/812; B65D 81/82;  
B65D 51/28; A61J 81/32  
See application file for complete search history.

(56) **References Cited**

**U.S. PATENT DOCUMENTS**

3,527,020	A *	9/1970	Mancini	.....	53/282
D260,243	S *	8/1981	Dogliotti	.....	D7/531
D275,179	S *	8/1984	Spencer et al.	.....	D9/520
D317,120	S *	5/1991	Schwartzburg	.....	D9/778
5,064,073	A *	11/1991	Folland	.....	220/521
5,472,719	A *	12/1995	Favre	.....	426/77
D381,558	S *	7/1997	Schaefer et al.	.....	D7/531
D387,904	S *	12/1997	McEntee	.....	D3/273
D388,699	S *	1/1998	Hayes et al.	.....	D9/761
D422,841	S *	4/2000	Milford et al.	.....	D7/531
D438,794	S *	3/2001	Miles et al.	.....	D9/429
D445,677	S *	7/2001	Lindsay et al.	.....	D9/429
D474,377	S *	5/2003	Holsinger	.....	D7/615

D518,104	S *	3/2006	Simmering et al.	.....	D19/66
D541,147	S *	4/2007	LaMasney	.....	D9/428
D559,623	S *	1/2008	Schellenberg	.....	D7/511
D580,750	S *	11/2008	Claassen et al.	.....	D9/428
D598,743	S *	8/2009	LaMasney	.....	D9/428
D606,363	S *	12/2009	Aardenburg	.....	D7/400
7,658,141	B2 *	2/2010	Masek et al.	.....	99/295
D621,698	S *	8/2010	Cometto	.....	D9/424
D628,883	S *	12/2010	Stephens	.....	D9/429
D642,068	S *	7/2011	Milewski et al.	.....	D9/696

(Continued)

*Primary Examiner* — Holly Baynham

*Assistant Examiner* — Rhea Shields

(74) *Attorney, Agent, or Firm* — Sutherland Asbil & Brennan LLP

(57) **CLAIM**

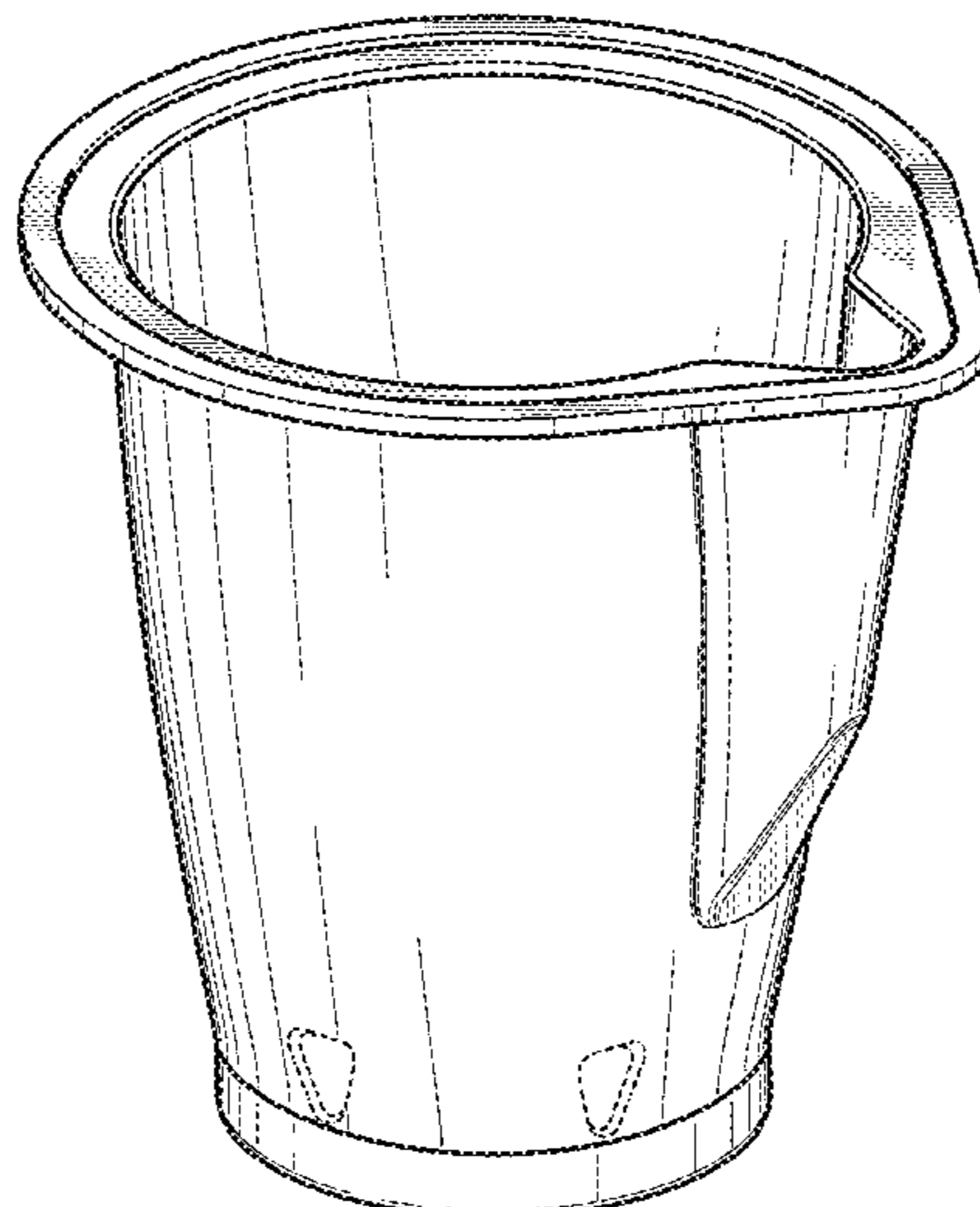
The ornamental design for the container with spout, as shown and described.

**DESCRIPTION**

FIG. 1 is a perspective view of a first embodiment of a Container with Spout, showing our new design.  
 FIG. 2 is a front side elevational view thereof;  
 FIG. 3 is a side elevational view thereof, the other side being a mirror image thereof;  
 FIG. 4 is a back side elevational view thereof;  
 FIG. 5 is a bottom view thereof; and  
 FIG. 6 is top view thereof.  
 FIG. 7 is a perspective view of a second embodiment of a Container with Spout, showing our new design.  
 FIG. 8 is a front side elevational view thereof;  
 FIG. 9 is a side elevational view thereof, the other side being a mirror image thereof;  
 FIG. 10 is a back side elevational view thereof;  
 FIG. 11 is a bottom view thereof; and,  
 FIG. 12 is top view thereof.

The broken lines are directed to environment and show unclaimed subject matter; the broken lines form no part of the claimed design.

**1 Claim, 6 Drawing Sheets**



(56)

**References Cited**

U.S. PATENT DOCUMENTS

D642,454 S \* 8/2011 Santoiemmo ..... D9/428  
D647,049 S \* 10/2011 Vaid et al. .... D13/102  
D649,870 S \* 12/2011 Cometto ..... D9/424  
D652,718 S \* 1/2012 Caldwell et al. .... D9/434  
D658,493 S \* 5/2012 Cometto ..... D9/424  
D662,602 S \* 6/2012 Foster et al. .... D24/220  
D689,768 S \* 9/2013 Inderbitzin ..... D9/429

D694,112 S \* 11/2013 Brown ..... D9/503  
D695,110 S \* 12/2013 Houlton et al. .... D9/500  
D697,794 S \* 1/2014 De Pra ..... D9/425  
D699,566 S \* 2/2014 De Pra ..... D9/425  
D703,035 S \* 4/2014 Zanetti ..... D9/416  
D707,490 S \* 6/2014 Hertaus ..... D7/400  
2011/0212225 A1 \* 9/2011 Mariller ..... 426/80  
2011/0274794 A1 \* 11/2011 Gerbaulet et al. .... 426/115  
2013/0136828 A1 \* 5/2013 Anghileri ..... 426/112  
2014/0120217 A1 \* 5/2014 O'Brien et al. .... 426/115

\* cited by examiner

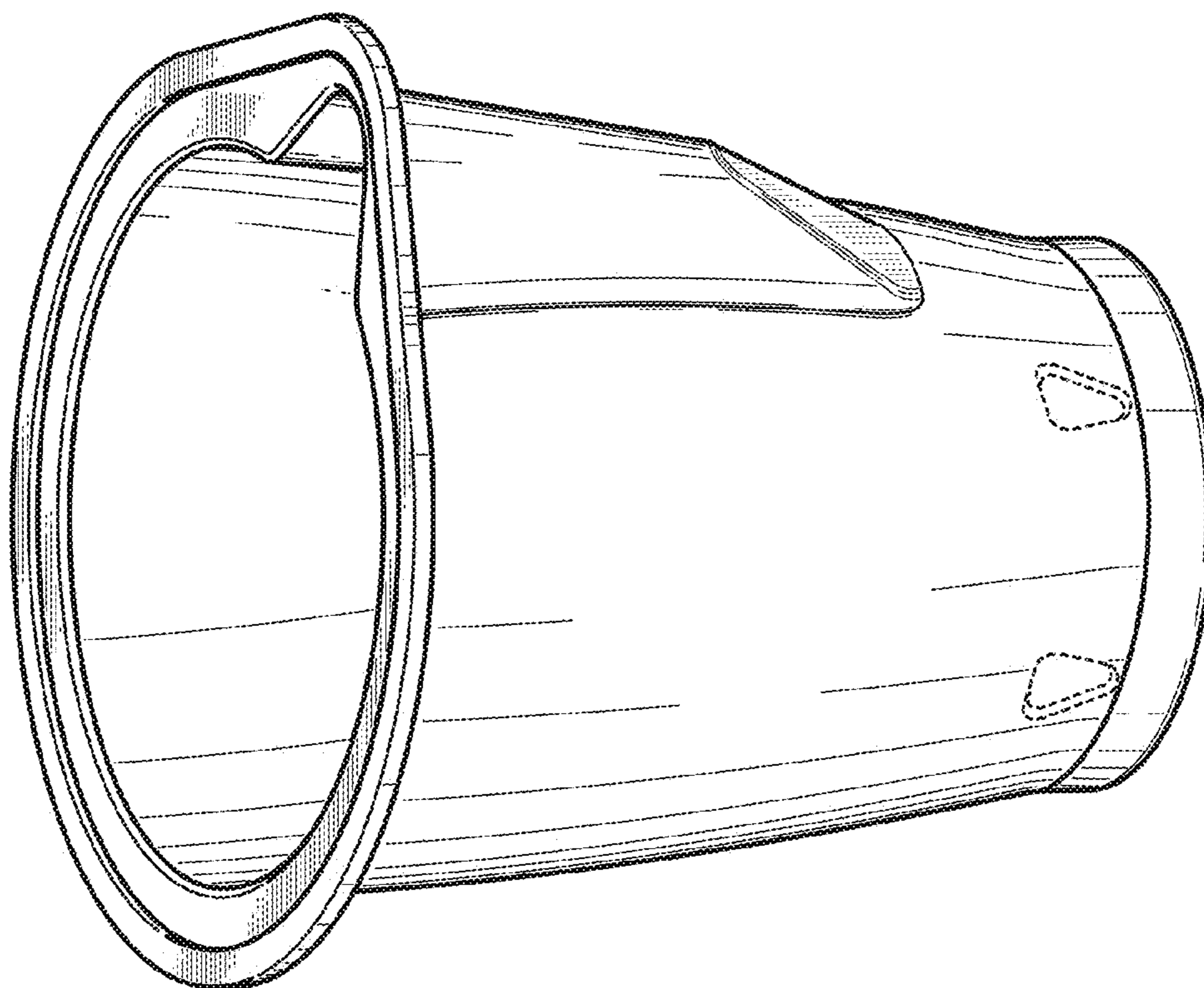


FIG. 1

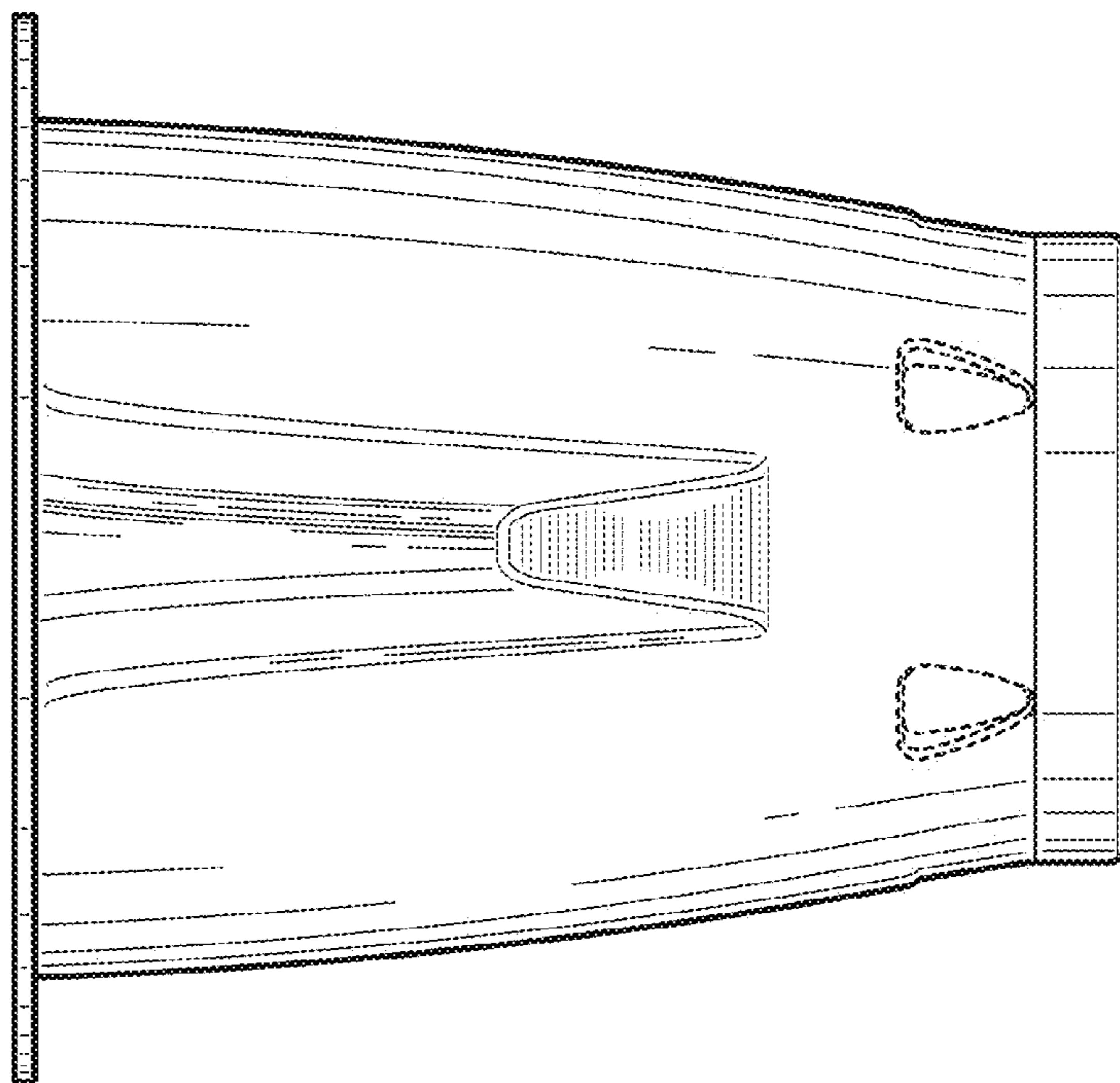


FIG. 2



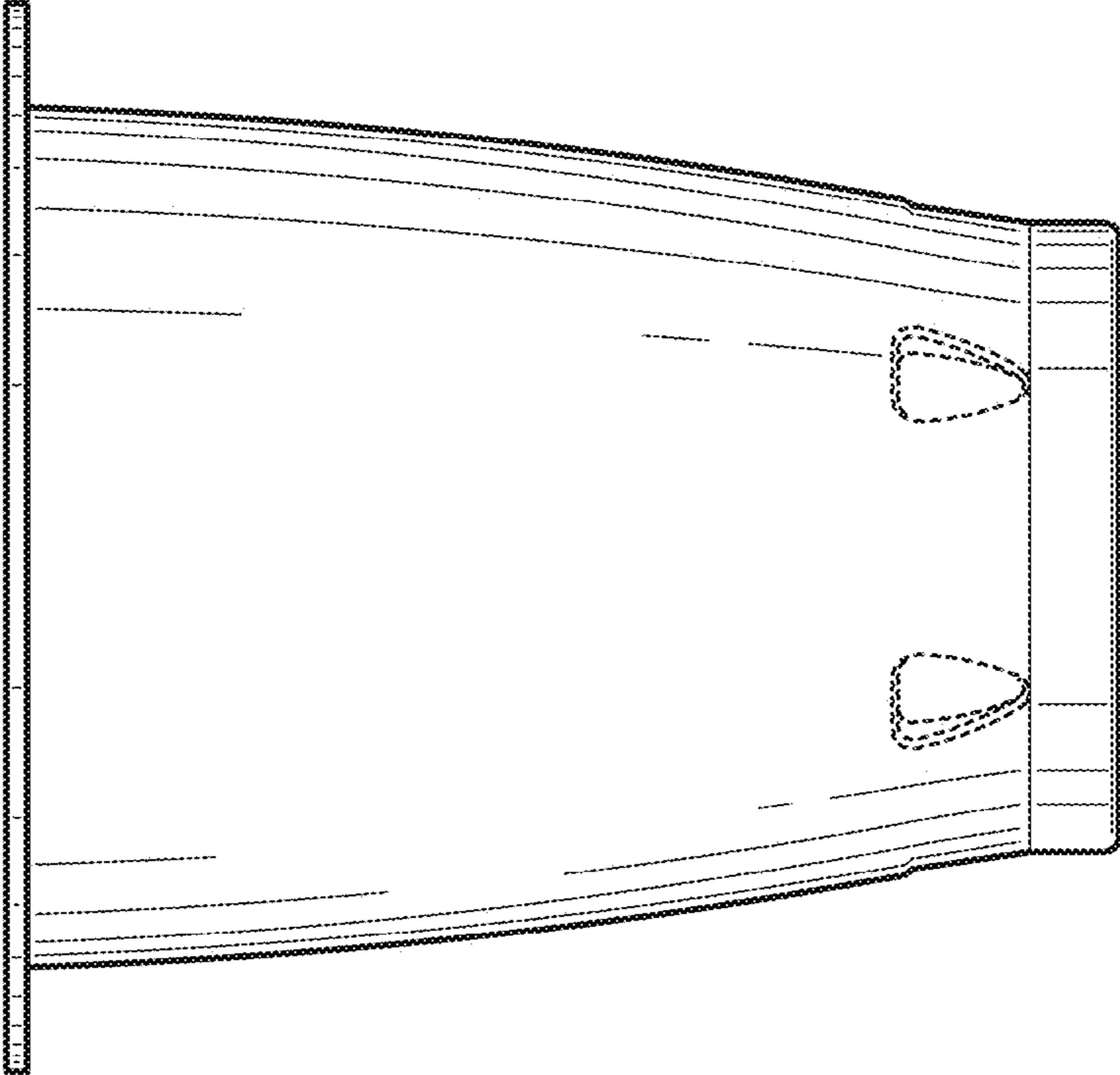


FIG. 4

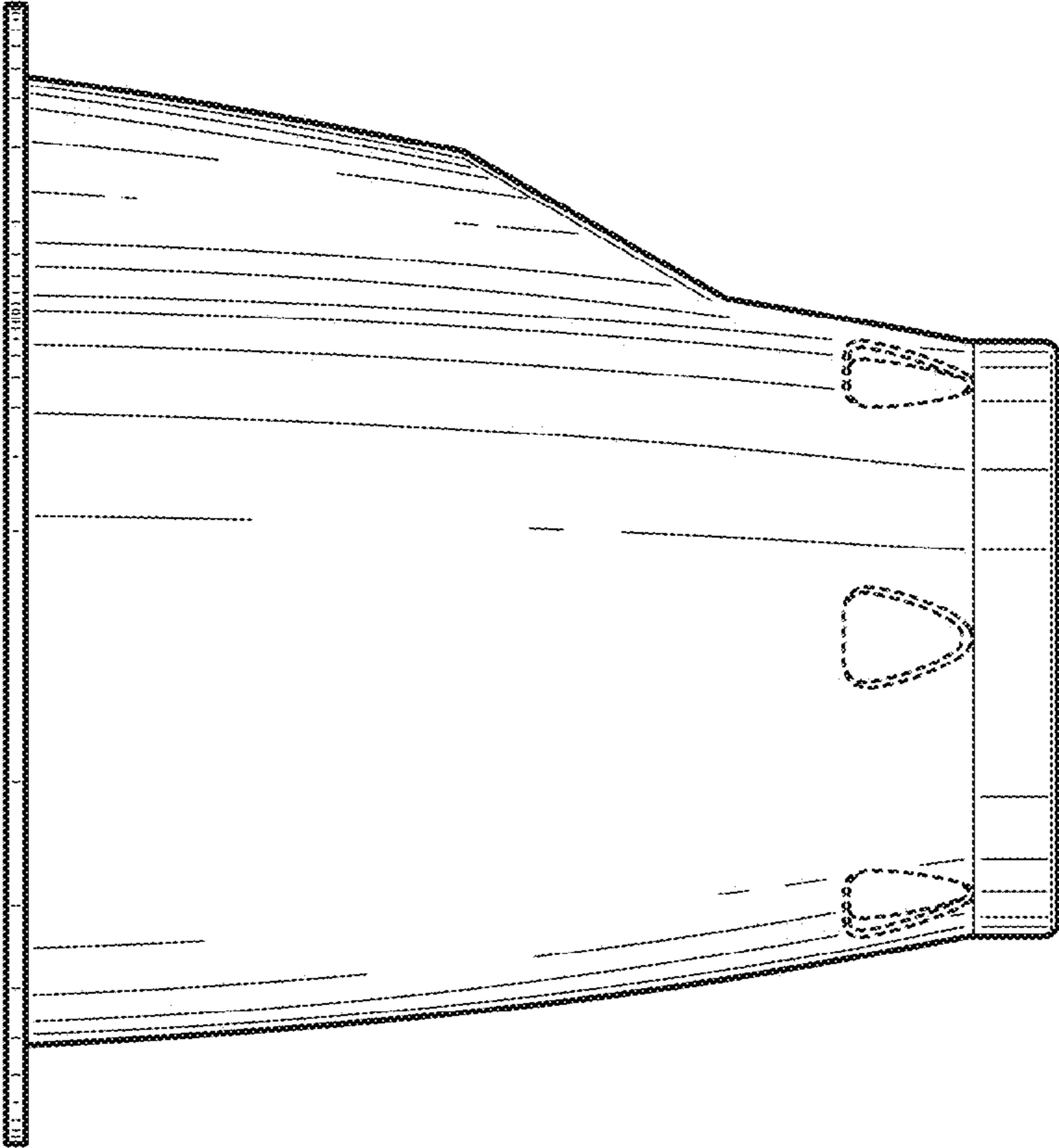


FIG. 3

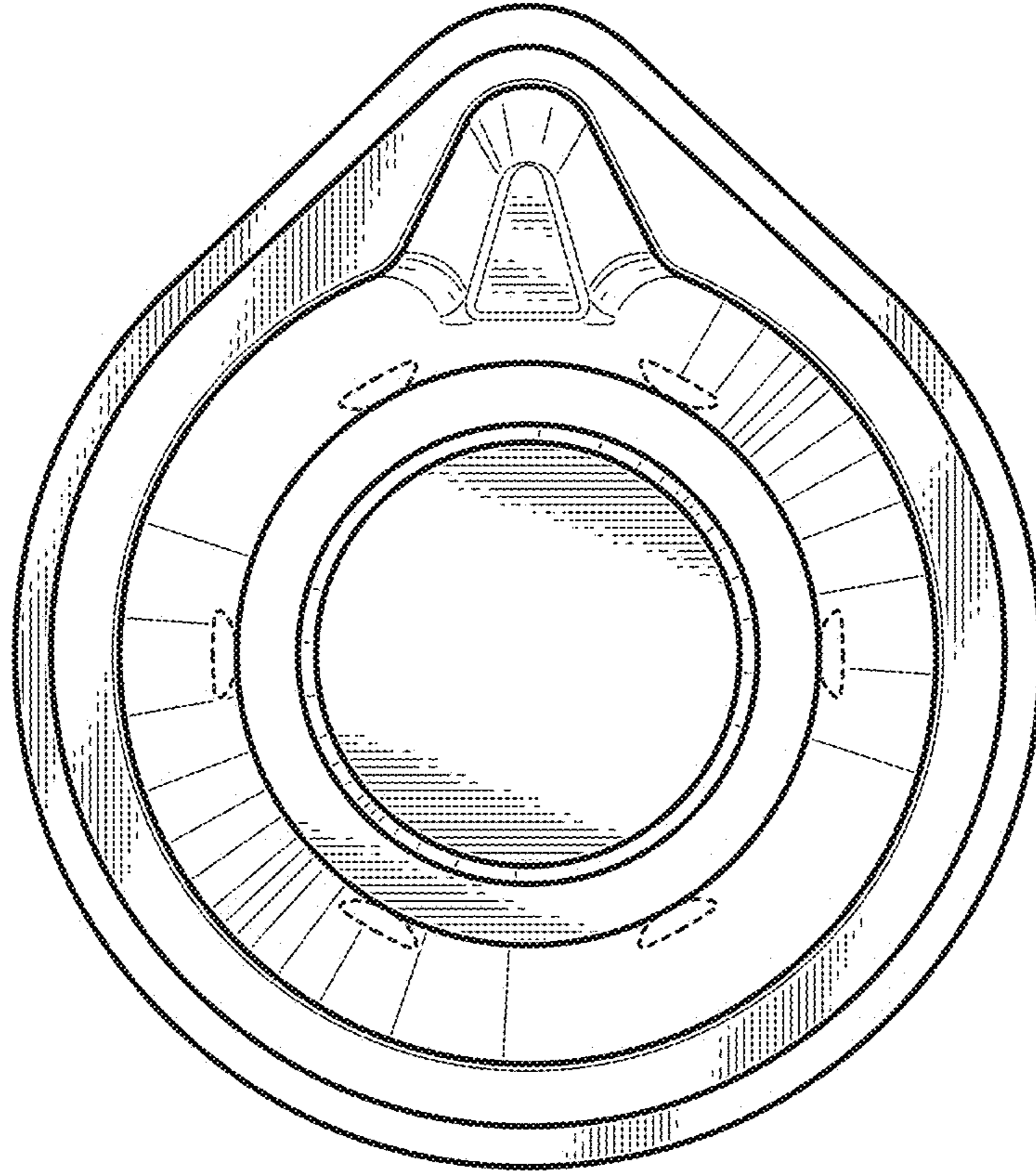


FIG. 6

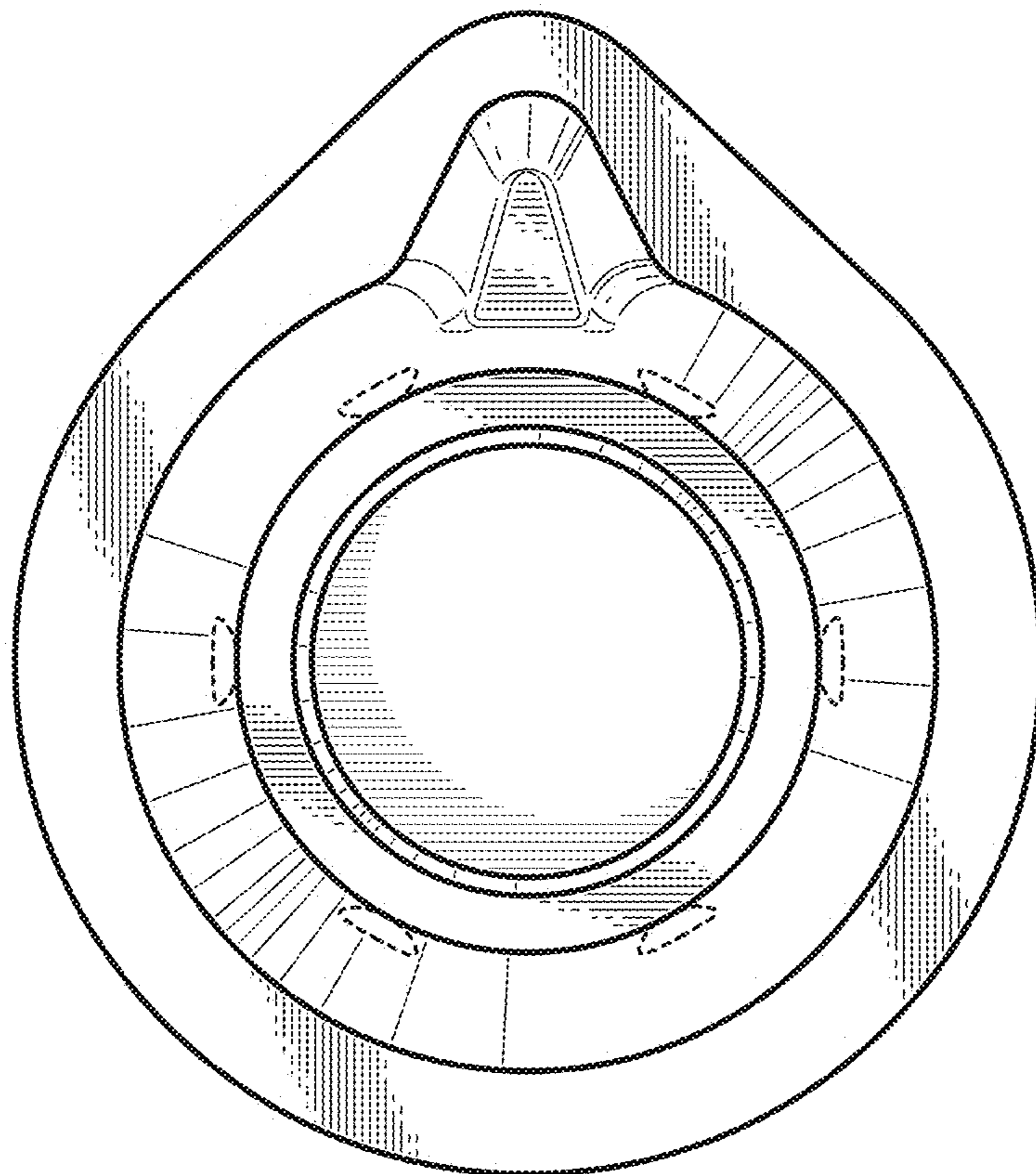


FIG. 5

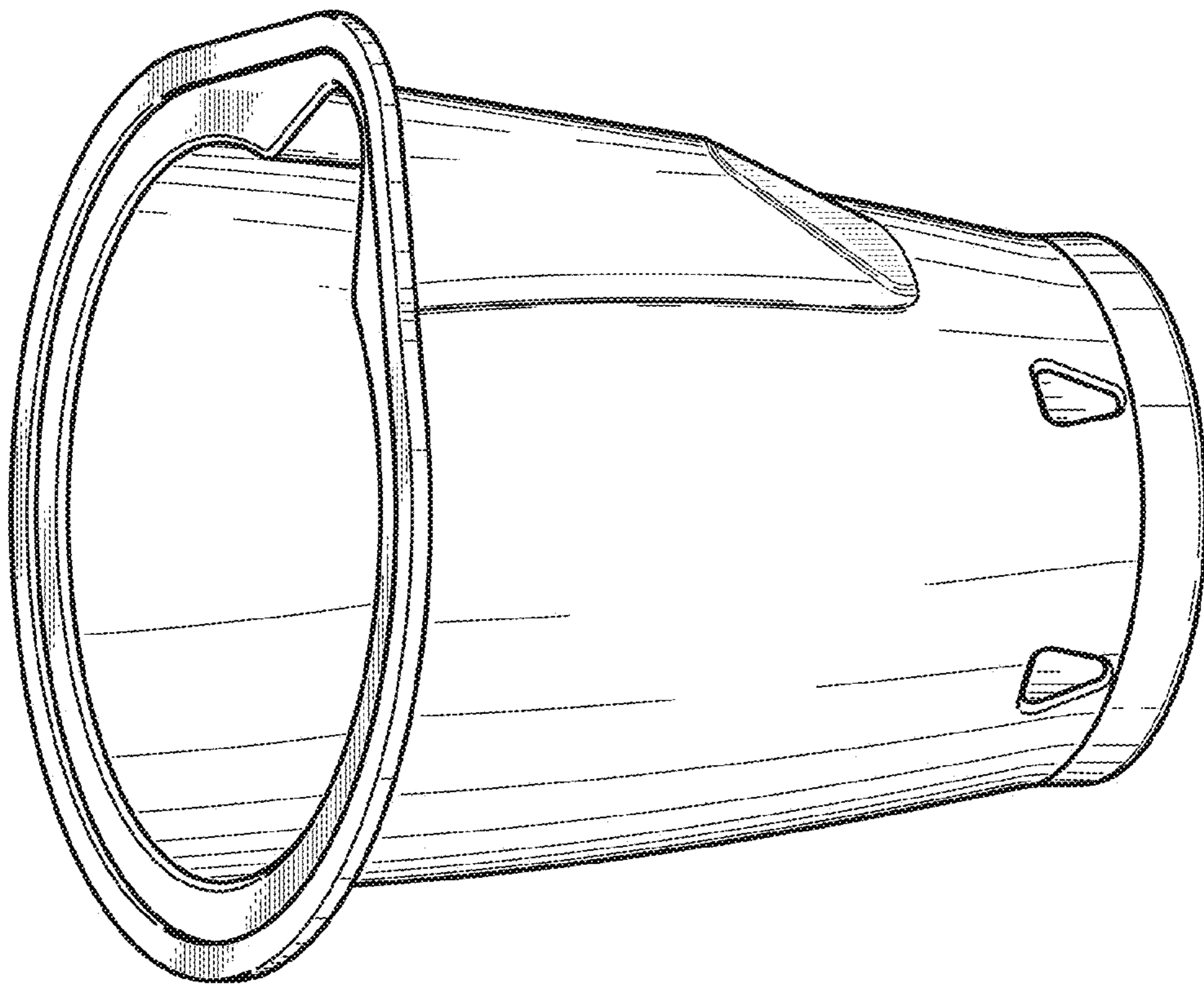


FIG. 7

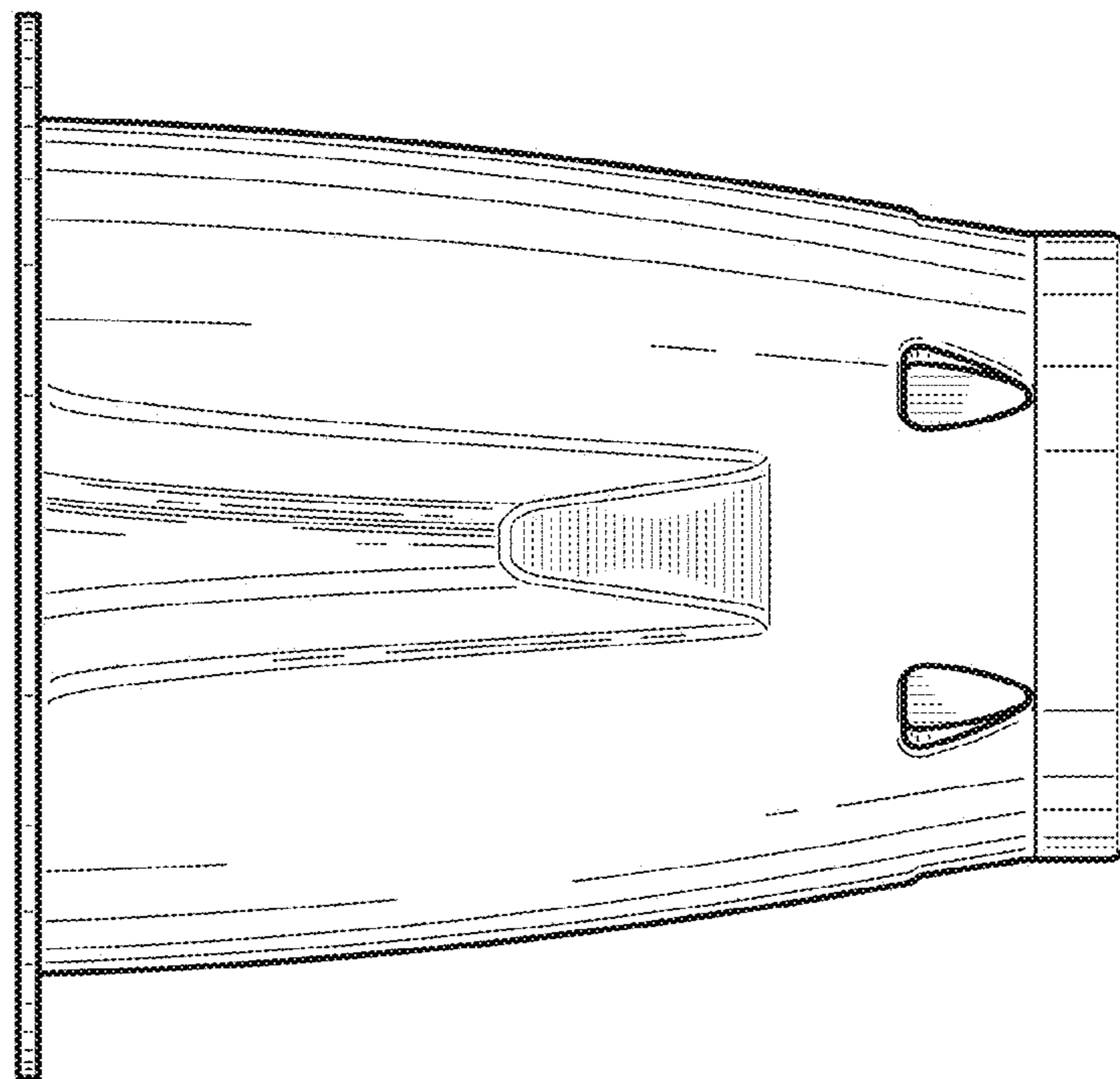


FIG. 8



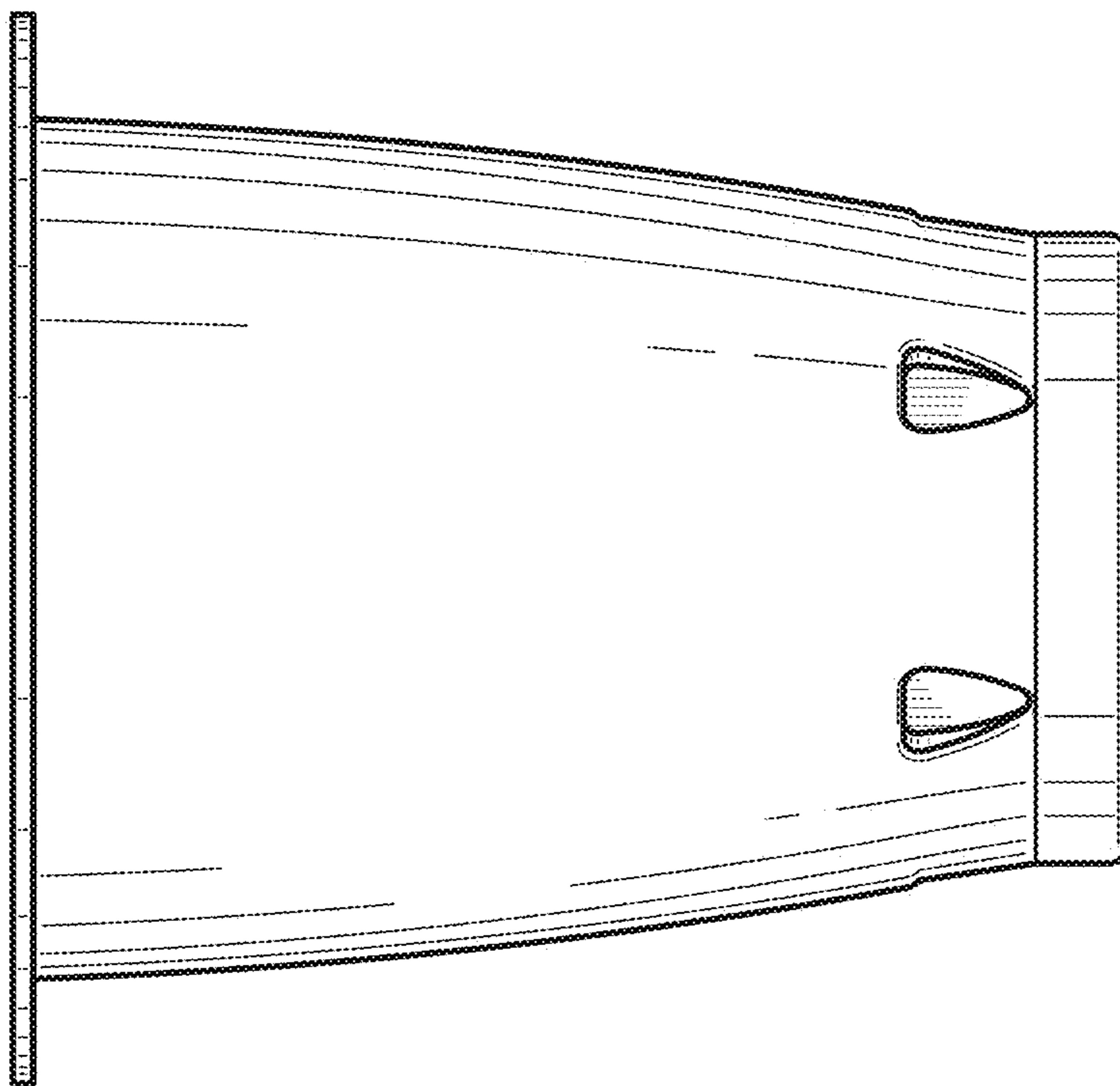


FIG. 10

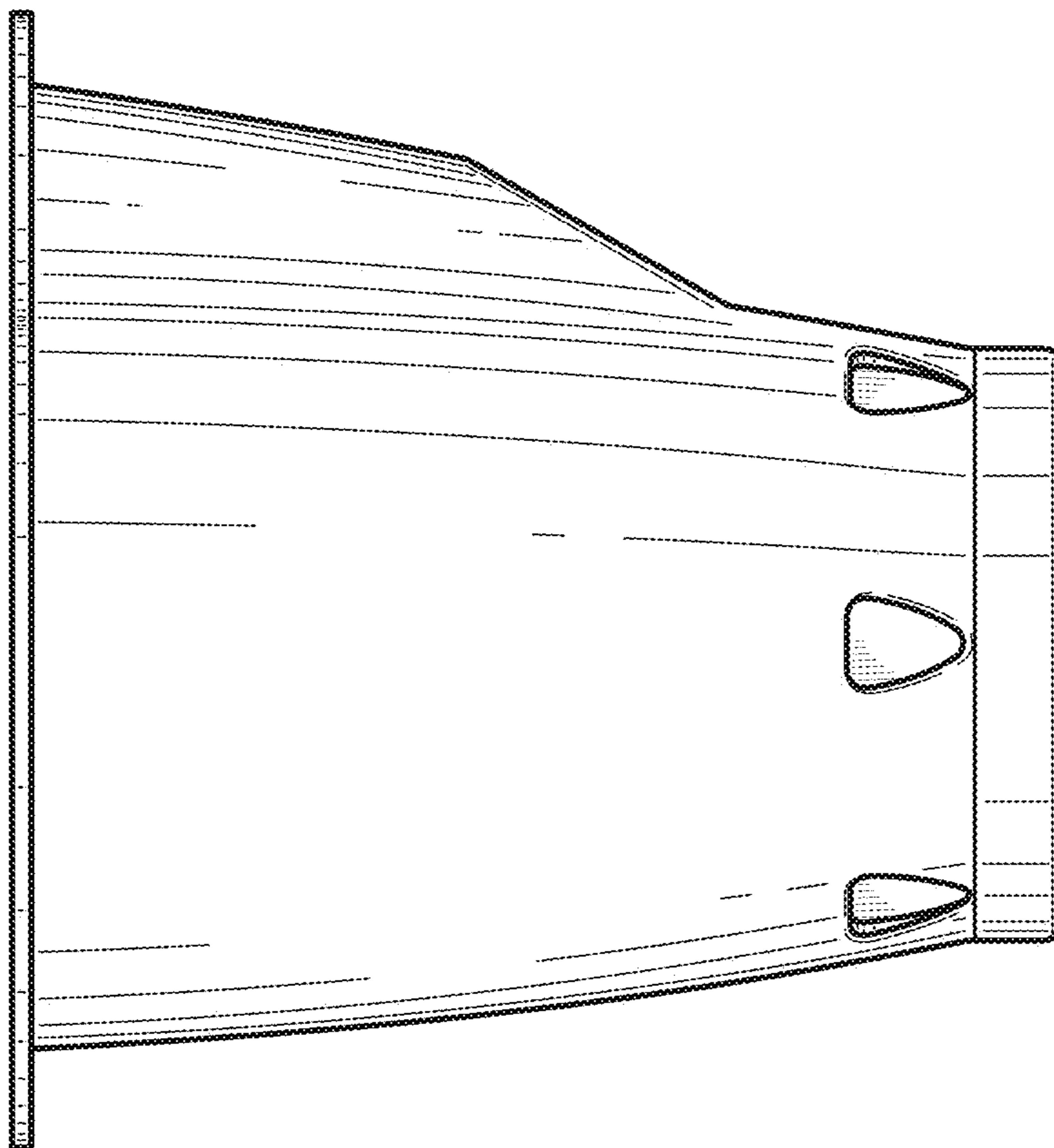


FIG. 9

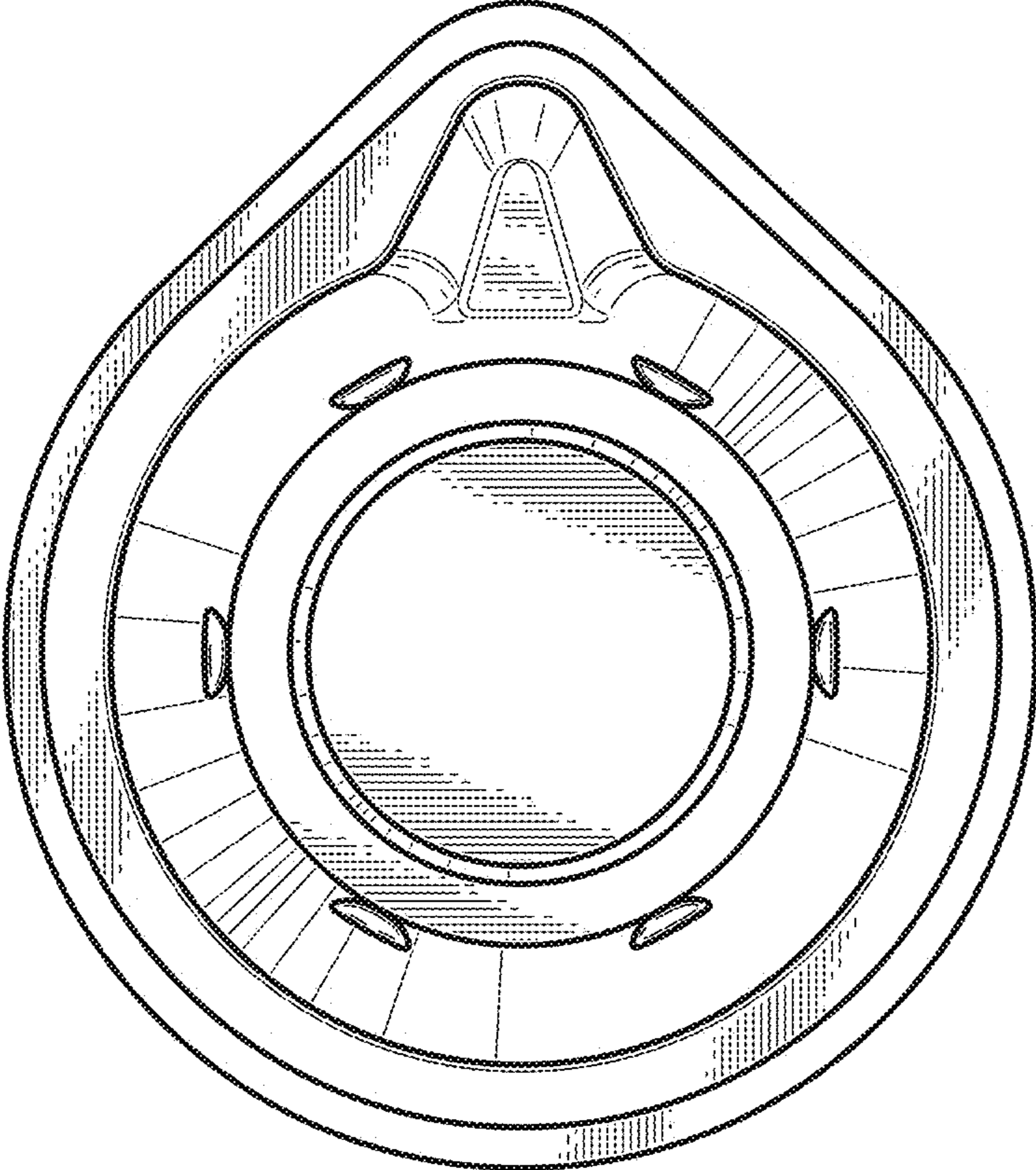


FIG. 12

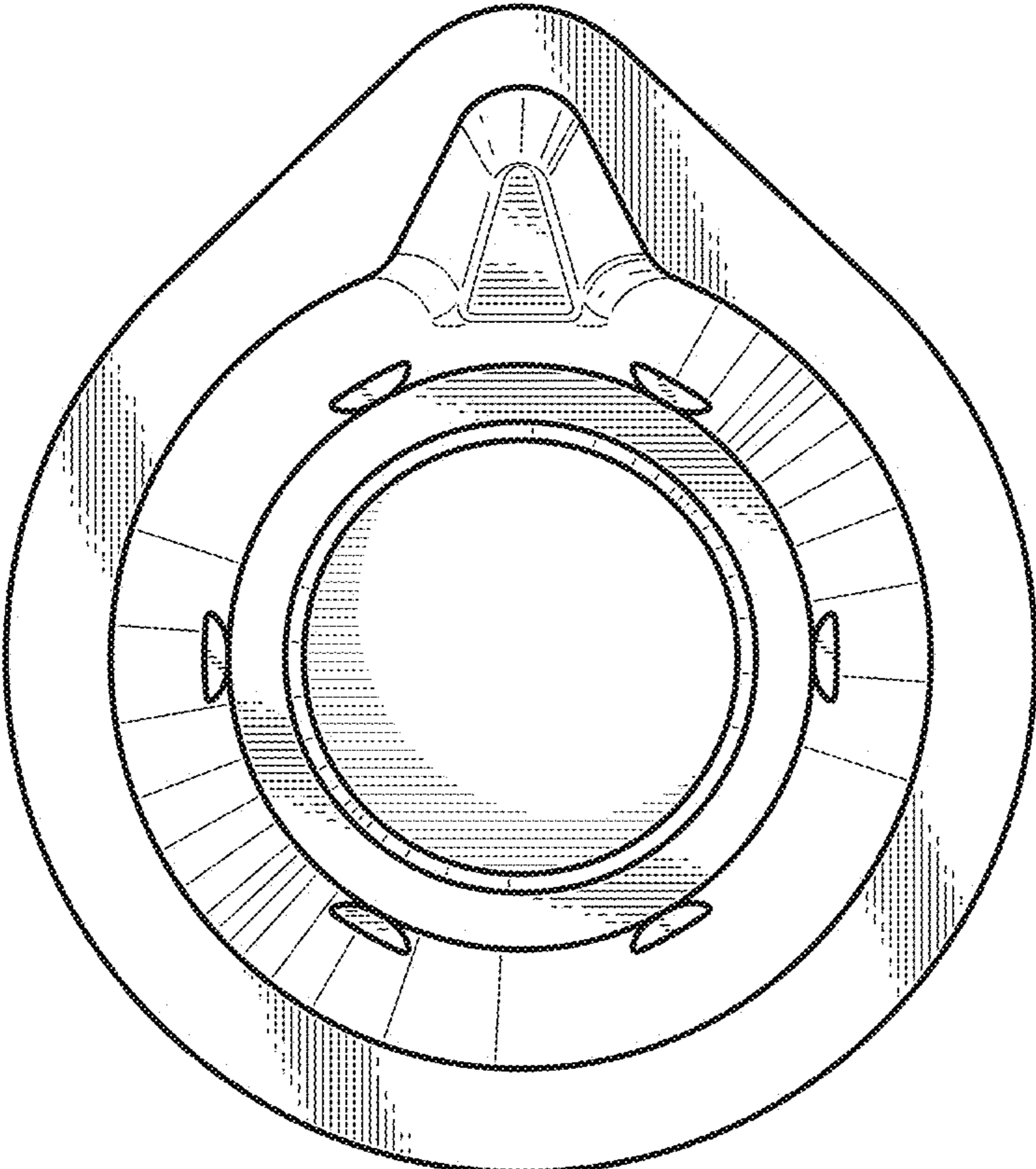


FIG. 11