

US00D736613S

(12) **United States Design Patent**
Bowman

(10) **Patent No.:** **US D736,613 S**

(45) **Date of Patent:** **** *Aug. 18, 2015**

(54) **GIFT BAG HOLDER**

(71) Applicant: **The Lindy Bowman Company**, Ellicott City, MD (US)

(72) Inventor: **Linden H. Bowman**, Ellicott City, MD (US)

(73) Assignee: **The Lindy Bowman Company**, Elkridge, MD (US)

(*) Notice: This patent is subject to a terminal disclaimer.

(**) Term: **14 Years**

(21) Appl. No.: **29/440,832**

(22) Filed: **Dec. 27, 2012**

Related U.S. Application Data

(63) Continuation of application No. 13/596,895, filed on Aug. 28, 2012.

(51) **LOC (10) Cl.** **09-03**

(52) **U.S. Cl.**
USPC **D9/415**

(58) **Field of Classification Search**

USPC D9/346, 414-418, 424, 425, 423, 428, D9/429, 431-436, 445, 452-454, 499, 500, D9/504, 516, 519, 522, 529, 535, 537, 545, D9/551, 571, 672, 675, 702, 711, 715, 721, D9/722, 737, 748, 759, 740, 743, 745, 749, D9/756, 718, 713, 712, 546, 422, 426, 457, D9/440, 438, 447, 700, 701, 670; 206/769, 206/773, 775-778, 395, 397-398, 223, 736, 206/756, 495, 349, 760, 541, 784; 229/162.1, 162.3, 162.7, 107, 122, 229/395, 938, 902, 409, 125.05, 116.1, 8, 229/22, 132, 131.1, 160, 125.15, 122.27, 229/122.31, 122.32, 123, 241, 172, 174,

229/185.1, 120.04, 120.13, 120.14, 120.23, 229/87.06, 92.3, 103.3, 104.114, 117, 229/117.08, 117.17, 120; D21/108, 352, D21/366, 374, 375, 395, 399, 443, 455, 460, D21/488, 667, 797, 800; D11/142; D7/538

See application file for complete search history.

(56) **References Cited**

U.S. PATENT DOCUMENTS

3,310,272 A 3/1967 Brunger
4,027,842 A 6/1977 Mittleman
4,946,065 A 8/1990 Goulter et al.
5,226,734 A 7/1993 Scott et al.
D356,732 S * 3/1995 Levin D9/415
D517,917 S * 3/2006 Sethi et al. D9/457

(Continued)

Primary Examiner — Ian Simmons

Assistant Examiner — Rhea Shields

(74) *Attorney, Agent, or Firm* — Cahn & Samuels, LLP

(57) **CLAIM**

I claim the ornamental design for a gift bag holder, as shown and described.

DESCRIPTION

FIG. 1 is a front perspective view showing my new design for a gift bag holder with a ghosted folded gift bag and display hook;

FIG. 2 is a right rear perspective view of my design for a gift bag holder with a ghosted folded gift bag, drawstring, and display hook;

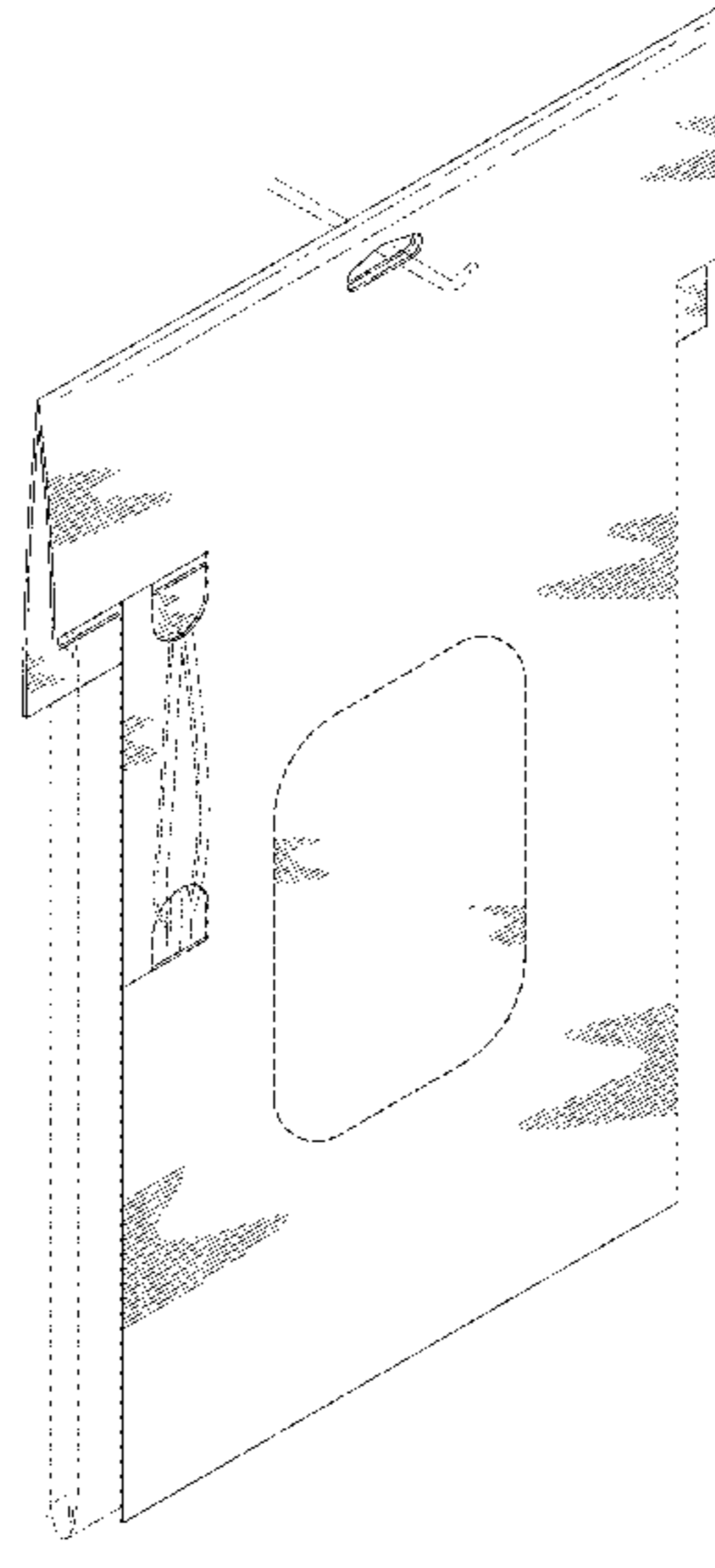
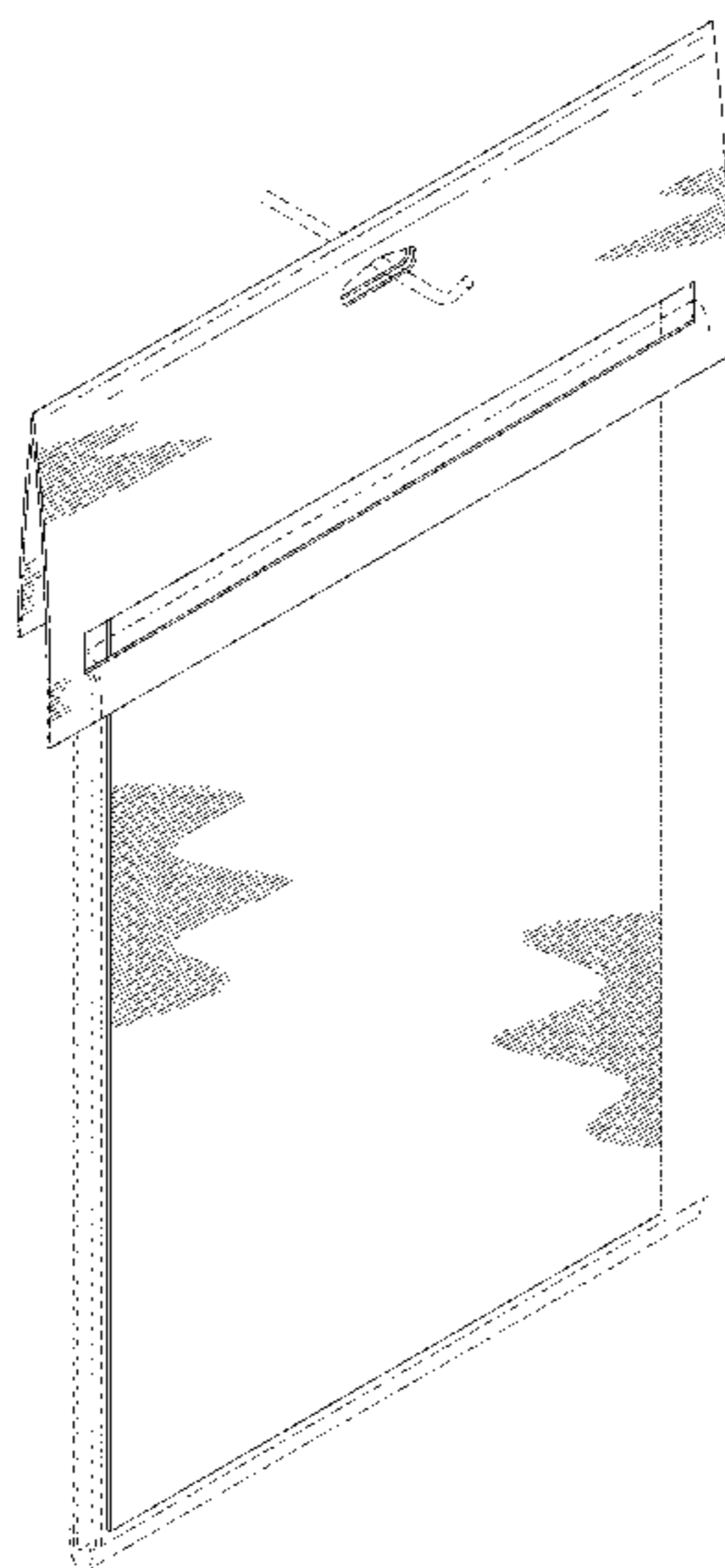
FIG. 3 is a side view of my design for a gift bag holder;

FIG. 4 is a top view of my design for a gift bag holder; and,

FIG. 5 is a bottom view of my design for a gift bag holder.

In the drawings, the broken lines depict environmental subject matter only and form no part of the claimed design.

1 Claim, 3 Drawing Sheets



(56)

References Cited

U.S. PATENT DOCUMENTS

7,318,568 B2 1/2008 Barouta
D624,814 S * 10/2010 Hoppner et al. D9/415
D652,300 S * 1/2012 Anderson et al. D9/457
D666,203 S * 8/2012 Wang et al. D14/439
D683,408 S * 5/2013 Buick et al. D20/40

D694,046 S * 11/2013 Walter D6/705
2002/0092958 A1 7/2002 Lusk
2005/0173600 A1 8/2005 Morris
2009/0010574 A1 1/2009 Prescott
2011/0233347 A1 9/2011 Turvey et al.
2011/0253567 A1 10/2011 Cossey
2014/0061418 A1* 3/2014 Bowman 248/342

* cited by examiner

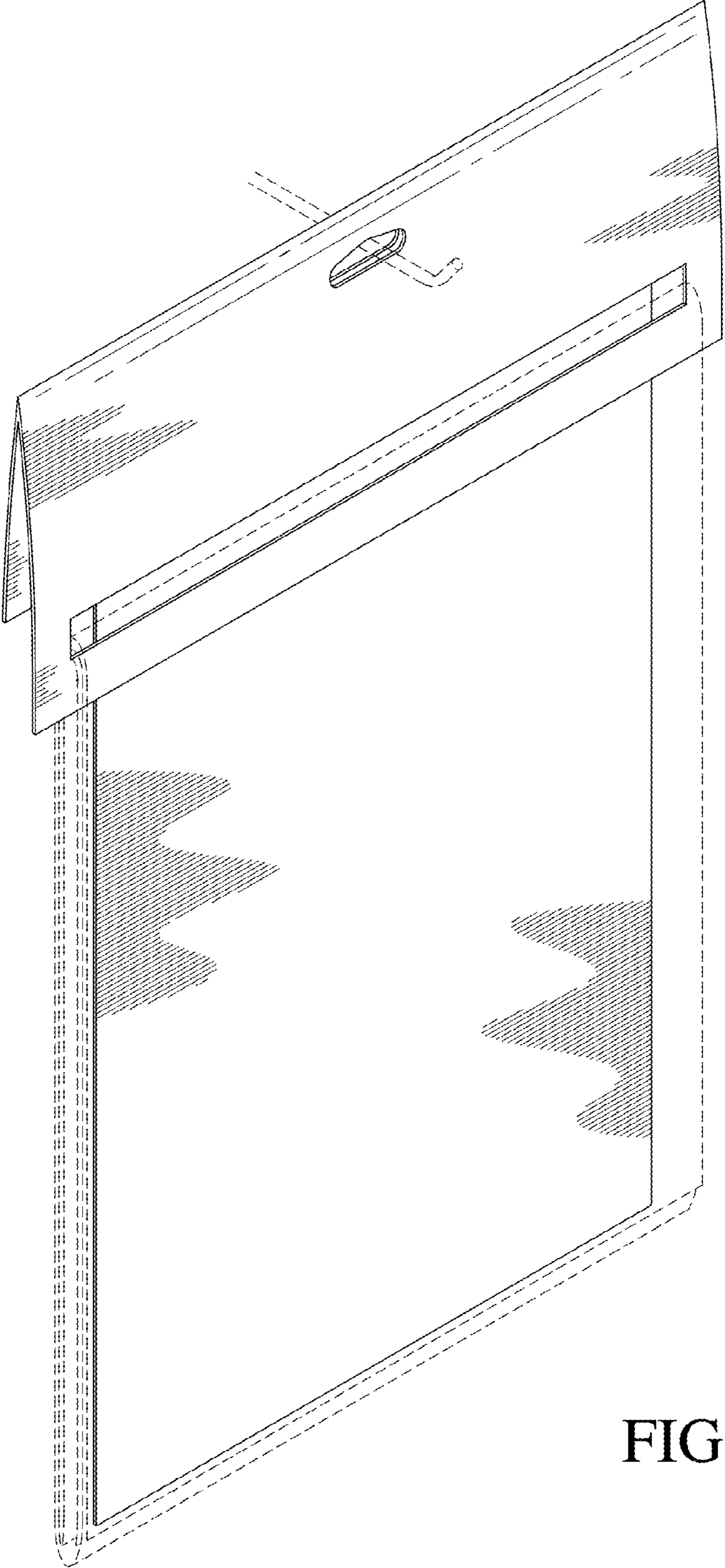


FIG. 1

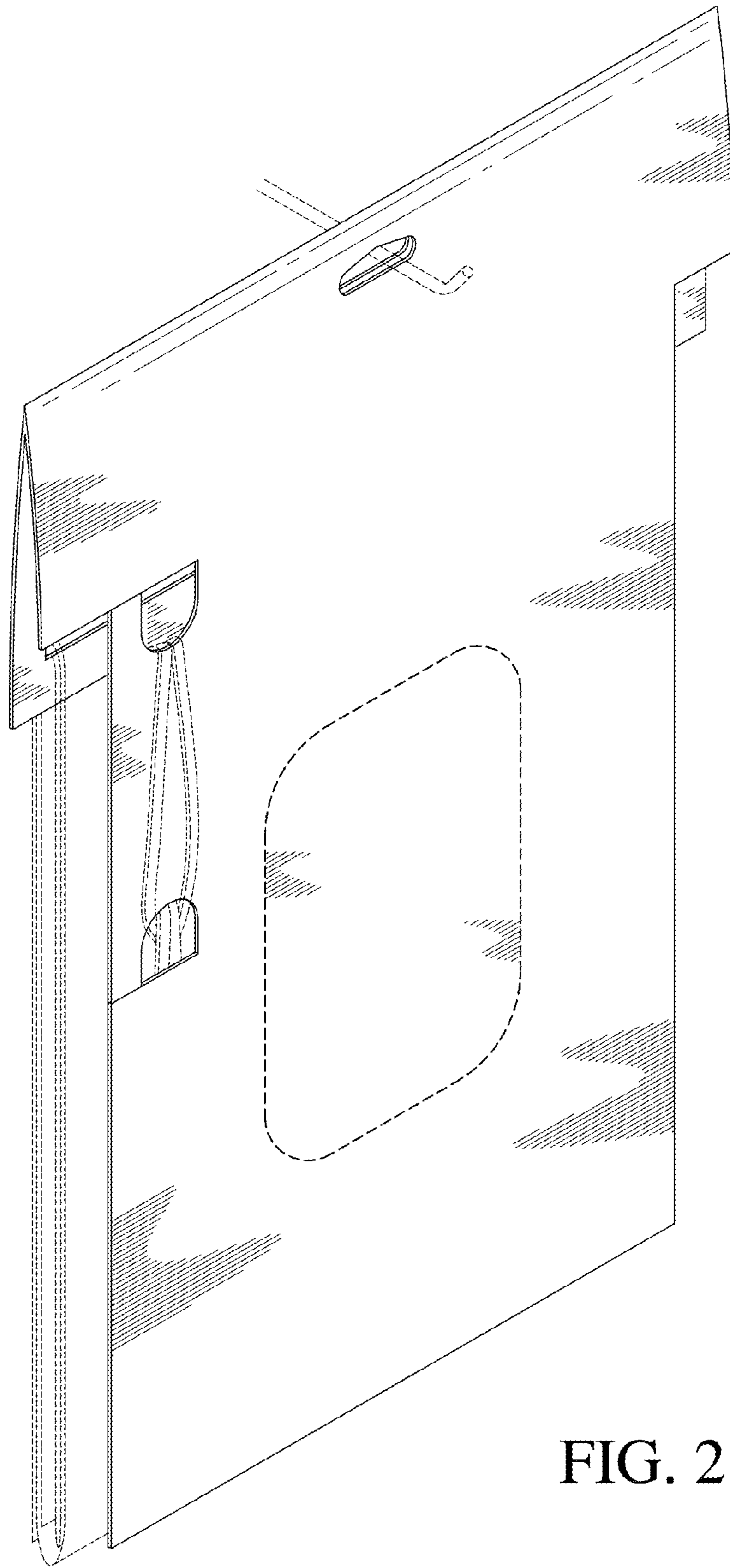


FIG. 2

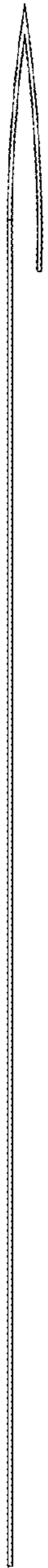


FIG. 3

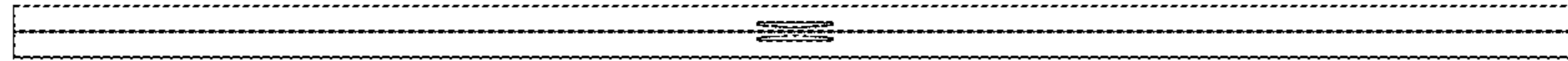


FIG. 4

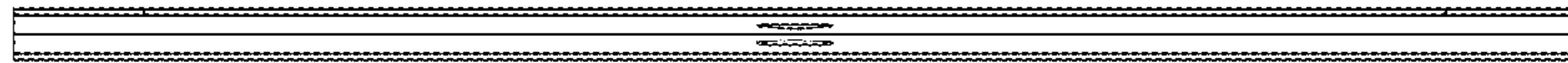


FIG. 5