



US00D736612S

(12) **United States Design Patent**
Sickler, Jr.

(10) **Patent No.:** **US D736,612 S**

(45) **Date of Patent:** **** Aug. 18, 2015**

(54) **BRACKET FOR MOUNTING A METAL
DETECTOR TO A POLE**

(71) Applicant: **Robert L. Sickler, Jr.**, Longwood, FL
(US)

(72) Inventor: **Robert L. Sickler, Jr.**, Longwood, FL
(US)

(**) Term: **14 Years**

(21) Appl. No.: **29/457,544**

(22) Filed: **Jun. 11, 2013**

(51) **LOC (10) Cl.** **08-08**

(52) **U.S. Cl.**
USPC **D8/396**

(58) **Field of Classification Search**
USPC D8/72, 356, 373, 394, 395, 396;
D9/434; D26/113, 138; 24/326, 335,
24/339, 570, 16 R, 336; 248/74.2, 215,
248/227.1, 300, 301, 316.7, 229; D6/512,
D6/513
CPC A47C 31/11; F16B 2/10; F16L 3/233;
F16L 3/237; A01K 97/08
See application file for complete search history.

(56) **References Cited**

U.S. PATENT DOCUMENTS

D133,536 S *	8/1942	Stoudt et al.	D15/138
D272,802 S *	2/1984	Dall-Winther	D8/396
D281,393 S *	11/1985	Karnhag et al.	D8/373
D295,315 S *	4/1988	Nelson	D24/130
D298,739 S *	11/1988	Richards, Jr.	D8/395
4,805,479 A *	2/1989	Brightwell	74/502.4
D307,650 S *	5/1990	Murdock	D29/129
D319,383 S *	8/1991	Kihlstrom	D8/373
D326,927 S *	6/1992	Catalina	D26/138

D354,677 S *	1/1995	Troyer	D8/396
D363,017 S *	10/1995	Noble	D8/395
D363,211 S *	10/1995	Noble	D8/395
D367,999 S *	3/1996	McCallum	D7/620
5,572,775 A *	11/1996	Mailloux et al.	24/339
D378,439 S *	3/1997	Gary et al.	D26/138
D409,902 S *	5/1999	Salvucci	D8/403
D417,141 S *	11/1999	Senninger	D8/395
D432,905 S *	10/2000	Sutker et al.	D8/394
D440,005 S *	4/2001	Blanton	D26/138
D471,316 S *	3/2003	Budde	D27/161
D473,128 S *	4/2003	Costa	D8/396
D495,348 S *	8/2004	Brasseur	D15/144
D506,385 S *	6/2005	Brown	D8/396
D508,200 S *	8/2005	Cagle	D9/434
D510,257 S *	10/2005	Marty et al.	D8/356
D522,352 S *	6/2006	Van Straaten	D8/395
D631,740 S *	2/2011	Wood	D8/396
D638,285 S *	5/2011	Lundborg	D8/394
D713,242 S *	9/2014	Magan	D8/396

* cited by examiner

Primary Examiner — John Windmuller

Assistant Examiner — Steven Czyz

(74) *Attorney, Agent, or Firm* — William M. Hobby, III

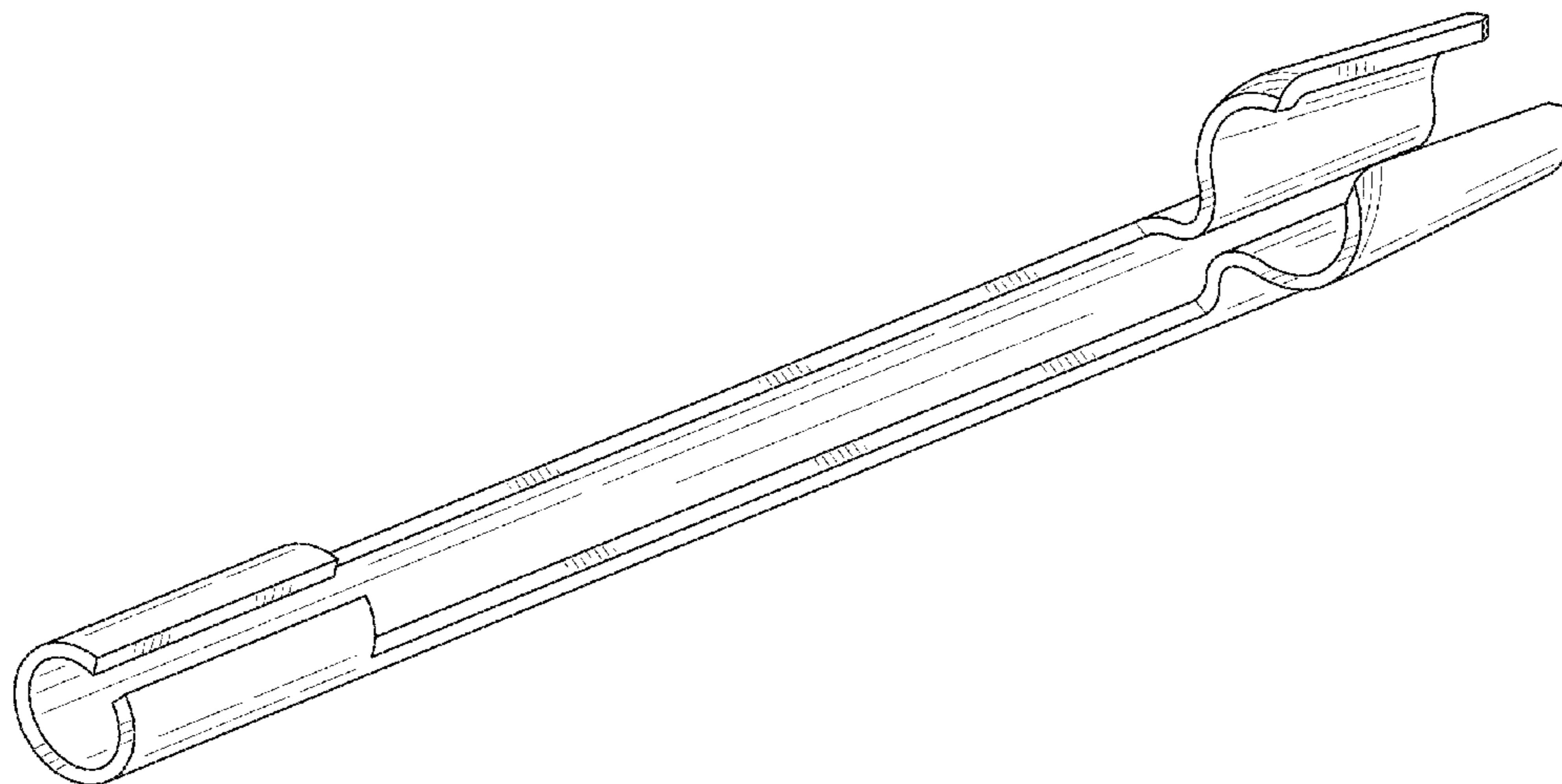
(57) **CLAIM**

The ornamental design for a bracket for mounting a metal detector to a pole, as shown and described.

DESCRIPTION

FIG. 1 is a top perspective view of my new bracket for mounting a metal detector to a pole;
FIG. 2 is a right side elevation thereof;
FIG. 3 is a left side elevation thereof;
FIG. 4 is a right side elevation thereof, the left side being a mirror image thereof;
FIG. 5 is a top plan view thereof; and,
FIG. 6 is a bottom plan view thereof.

1 Claim, 2 Drawing Sheets



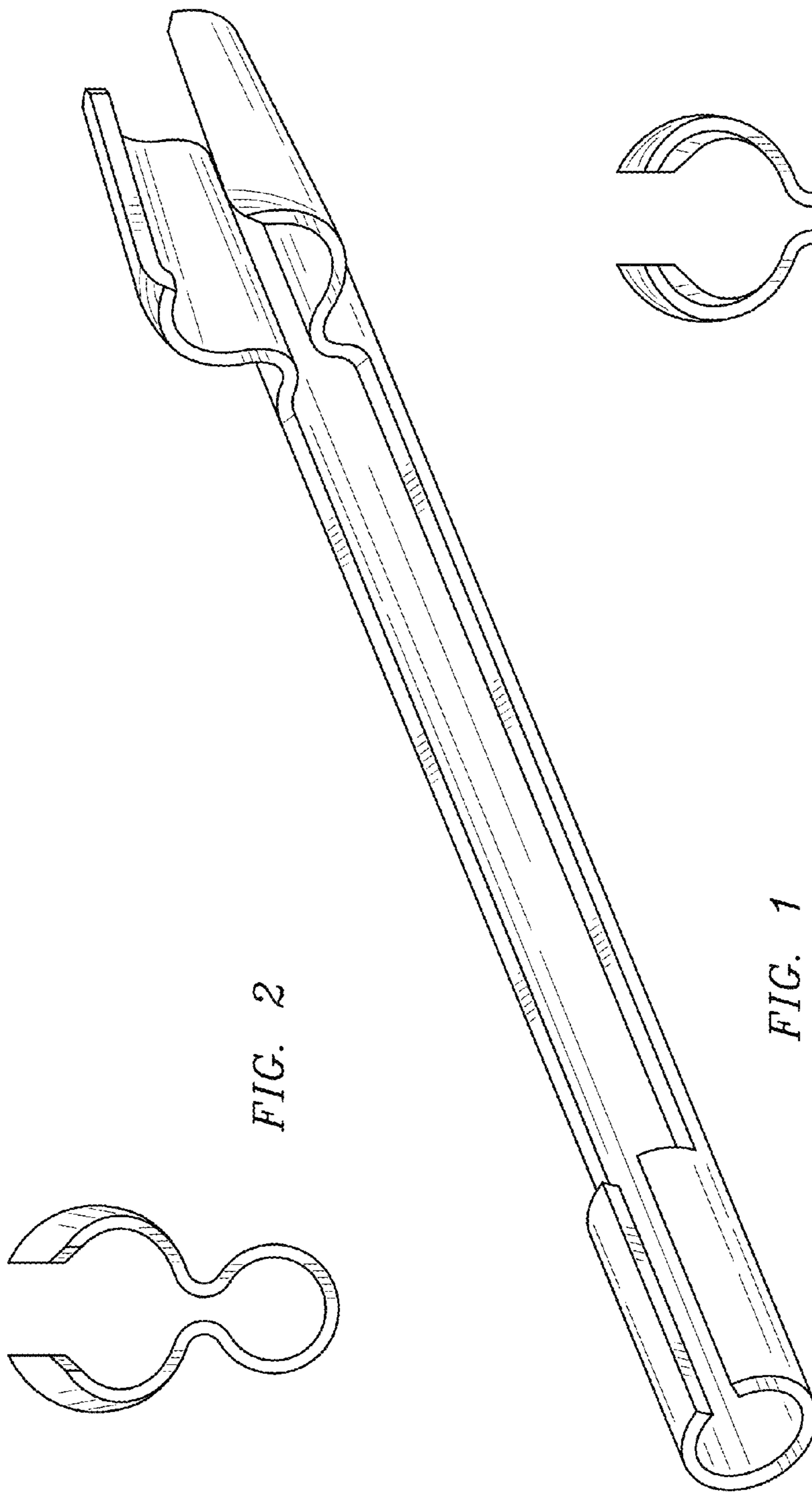


FIG. 2

FIG. 1

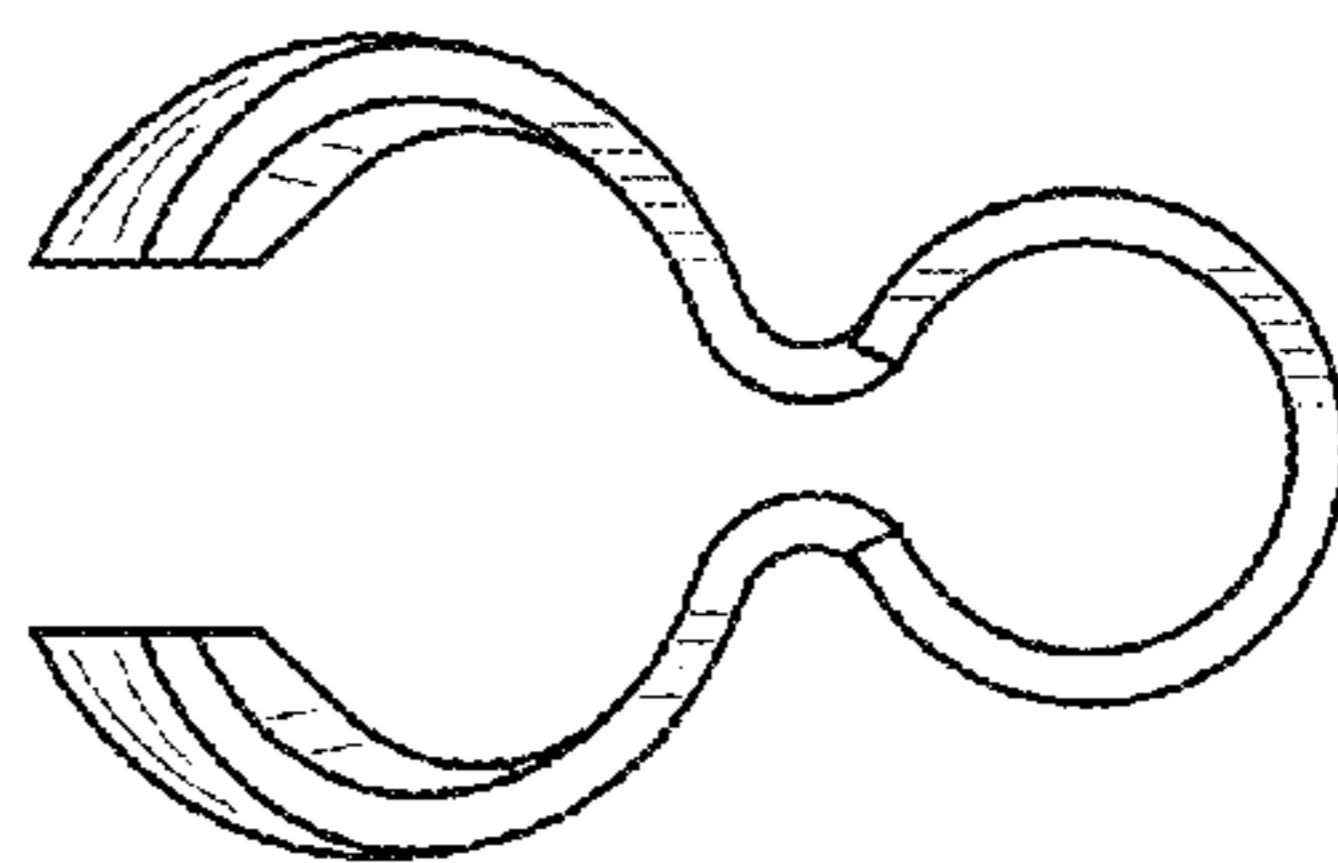
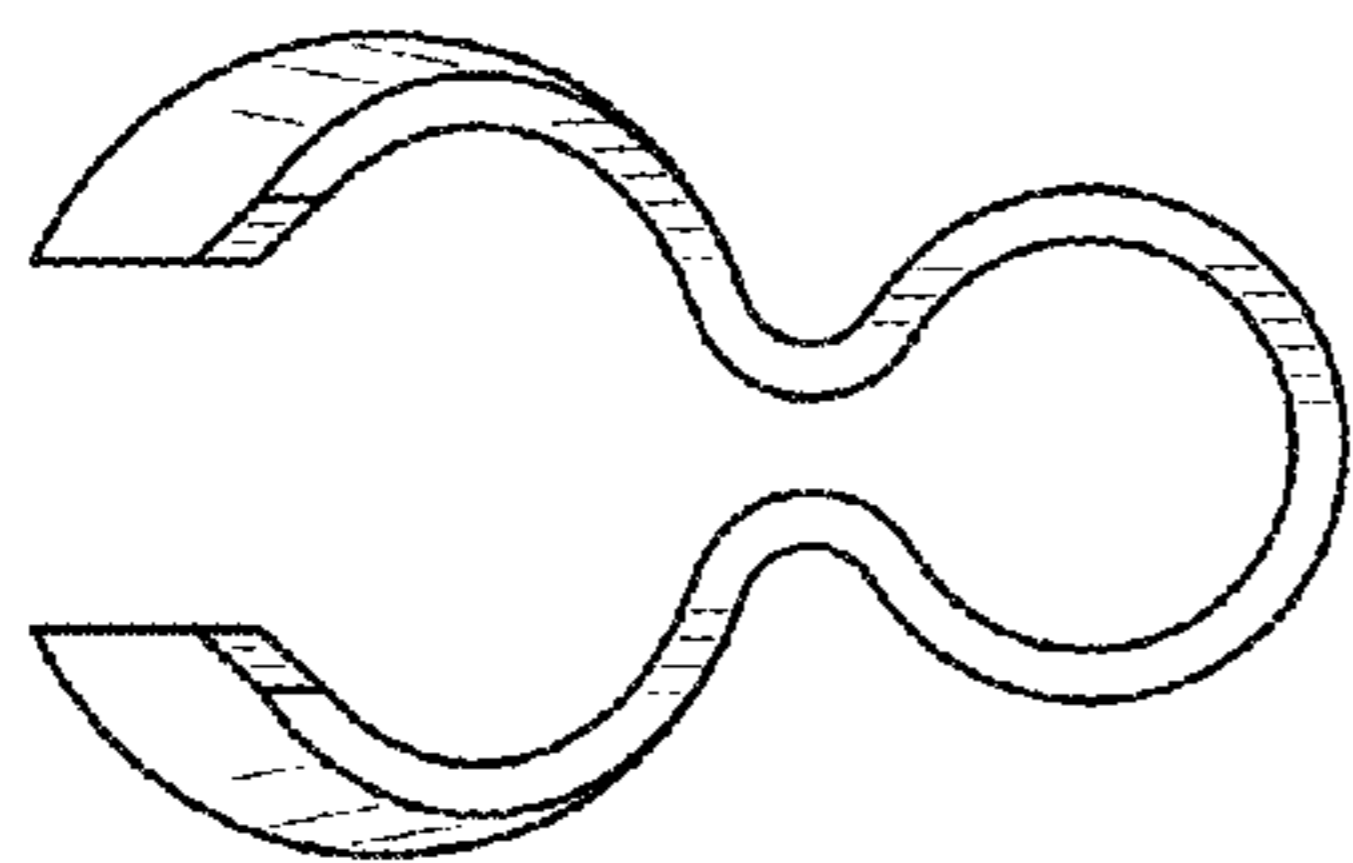


FIG. 3

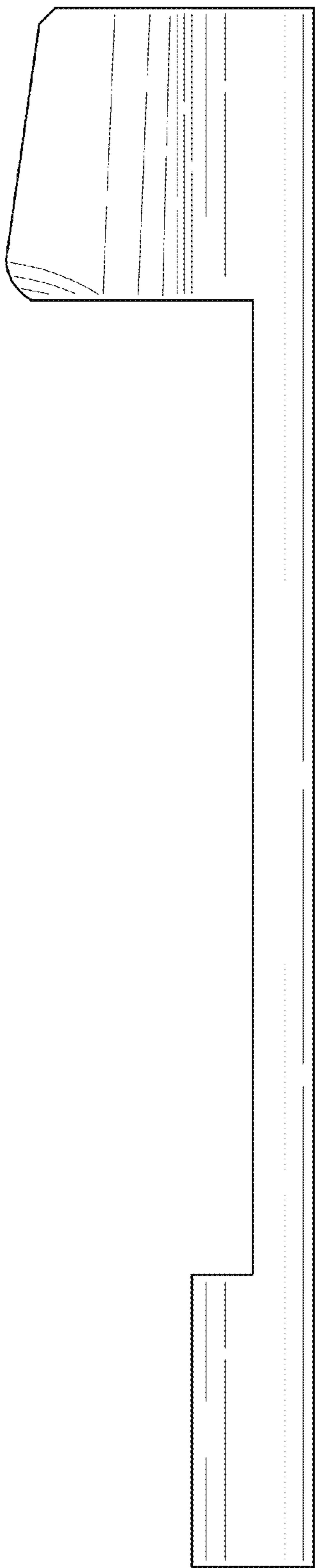


FIG. 4

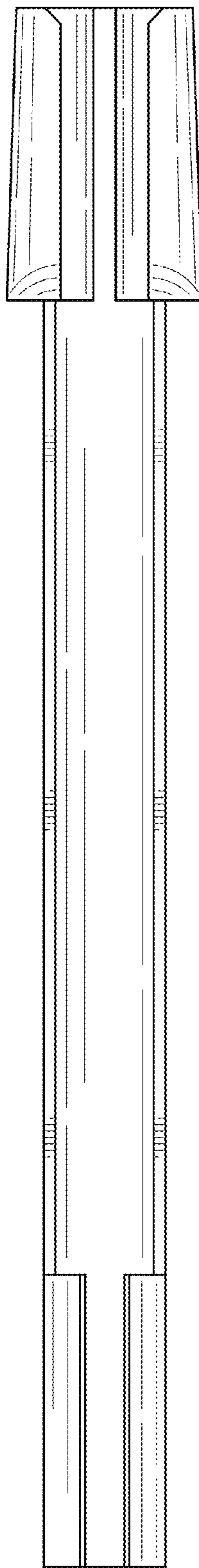


FIG. 5

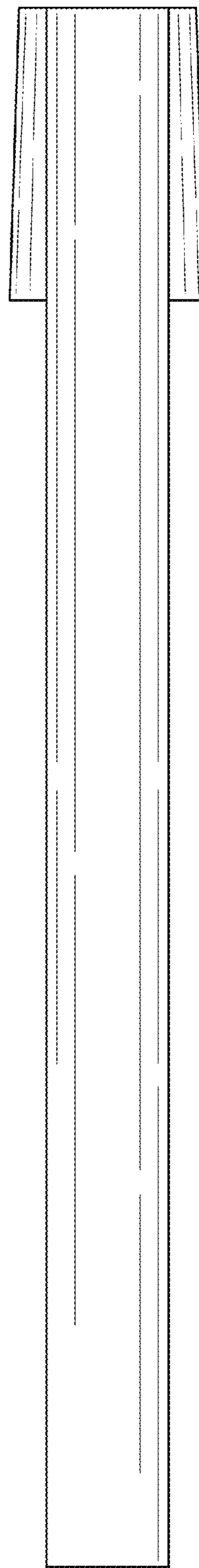


FIG. 6