



US00D736611S

(12) **United States Design Patent**
Deurloo et al.

(10) **Patent No.:** **US D736,611 S**

(45) **Date of Patent:** **** Aug. 18, 2015**

(54) **DIAMOND SHAPED BAG CLIP**

D680,759 S * 4/2013 Jones D6/328
D705,987 S * 5/2014 Scott et al. D28/7
2011/0056413 A1* 3/2011 Andochick 108/14

(71) Applicant: **Kikkerland Design, Inc.**, New York, NY
(US)

FOREIGN PATENT DOCUMENTS

(72) Inventors: **Martijn Deurloo**, Rotterdam (NL); **Jan Habraken**, Brooklyn, NY (US)

CN 302008194 * 7/2012
CN 302008198 * 7/2012
GB 2050802 * 2/1996
GB 4019535 * 5/2011

(73) Assignee: **Kikkerland Design, Inc.**, New York, NY
(US)

OTHER PUBLICATIONS

(**) Term: **14 Years**

Amazon.com: totalElement Magnetic Clips, All-Purpose, reviews 2015, online, http://www.amazon.com/...rpose-Translucent-5-Pack/dp/B00TXQ38LO/ref=sr_1_17?ie=UTF8&qid=1433809815&sr=8-17-spons&keywords=bag+clips#customerReviews, site visited [Jun. 8, 2015 8:32:27 PM].*

(21) Appl. No.: **29/471,967**

Intelli IMT-500 Clip-on Digital Chromatic Tuner, article date Dec. 10, 2007, online, Intelli IMT-500 Clip-on Digital Chromatic Tuner, site visited Jun. 8, 2015.*

(22) Filed: **Nov. 6, 2013**

(51) **LOC (10) Cl.** **08-08**

(52) **U.S. Cl.**

USPC **D8/395**

(58) **Field of Classification Search**

USPC D8/394-396, 71-74, 499, 354-355;
D19/65, 195; D11/155

CPC D06F 55/00; A41B 3/08; A41F 15/02;
F16B 19/1081; G09F 3/14; B42F 1/006;
B42F 1/08; B42F 9/001; A47F 7/02

See application file for complete search history.

* cited by examiner

Primary Examiner — John Windmuller

Assistant Examiner — John R Yeh

(74) *Attorney, Agent, or Firm* — Cascio & Zervas

(56) **References Cited**

(57) **CLAIM**

The ornamental design for a diamond shaped bag clip, as shown and described.

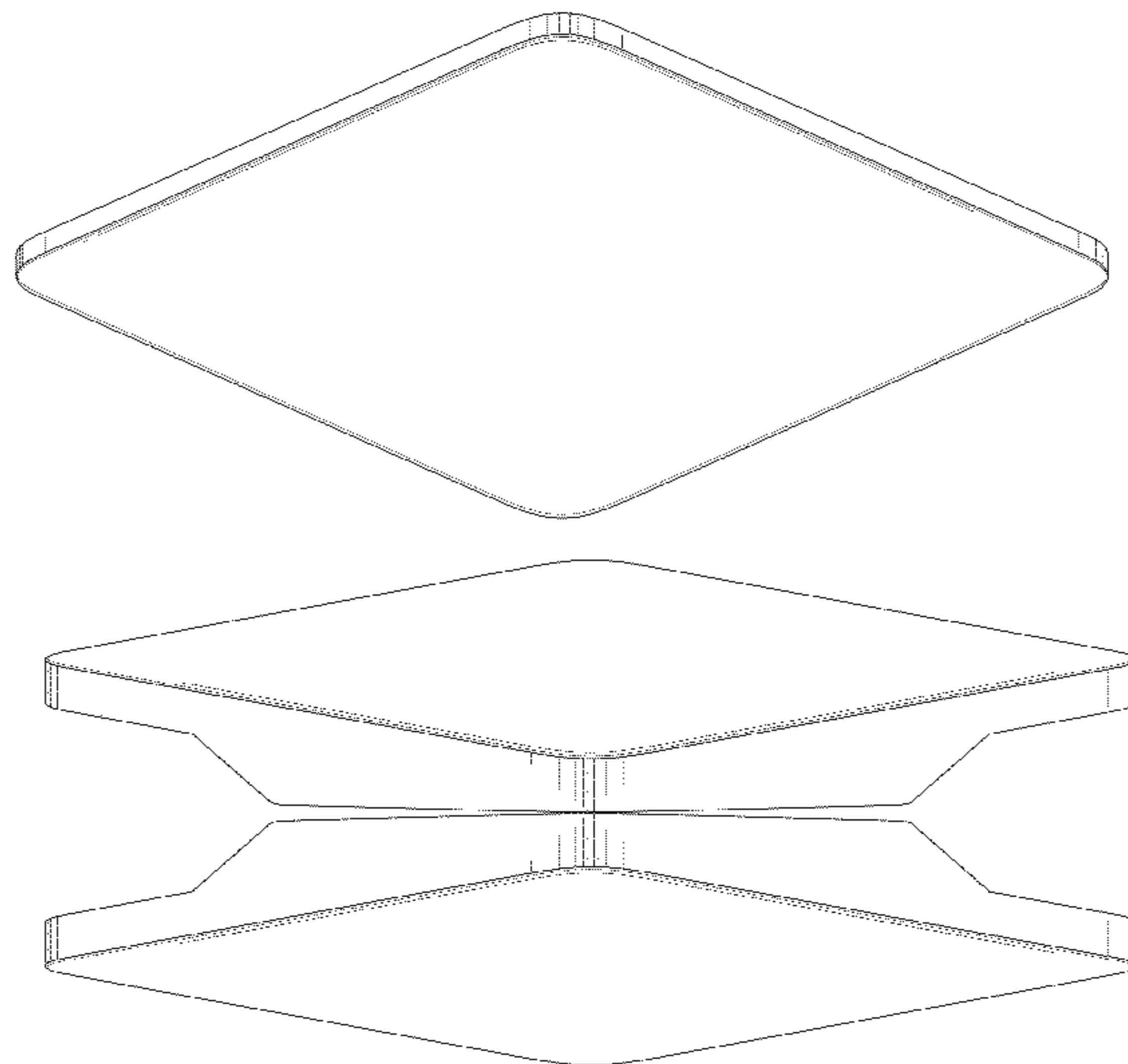
U.S. PATENT DOCUMENTS

DESCRIPTION

2,671,223 A * 3/1954 Axsom 2/268
D229,033 S * 11/1973 Axsom D8/395
D277,534 S * 2/1985 Warmath D6/328
4,684,154 A * 8/1987 Hayman et al. 462/78
D352,314 S * 11/1994 Wolff D19/65
D364,188 S * 11/1995 Wolff D19/65
5,666,702 A * 9/1997 Ming-Chieh 24/510
D406,168 S * 2/1999 Wolff D19/65
D486,863 S * 2/2004 Coe D19/65
D492,726 S * 7/2004 Nuttall et al. D19/65
D596,482 S * 7/2009 Marinucci D8/394
D657,662 S * 4/2012 Boucher-Gagne et al. D8/394

FIG. 1 is a left side elevational view of the diamond shape bag clip showing our design;
FIG. 2 is a right side elevational view thereof;
FIG. 3 is a bottom plan view thereof;
FIG. 4 is a top plan view thereof;
FIG. 5 is a front elevational view thereof;
FIG. 6 is a rear elevational view thereof; and,
FIG. 7 is a top perspective view thereof.

1 Claim, 3 Drawing Sheets



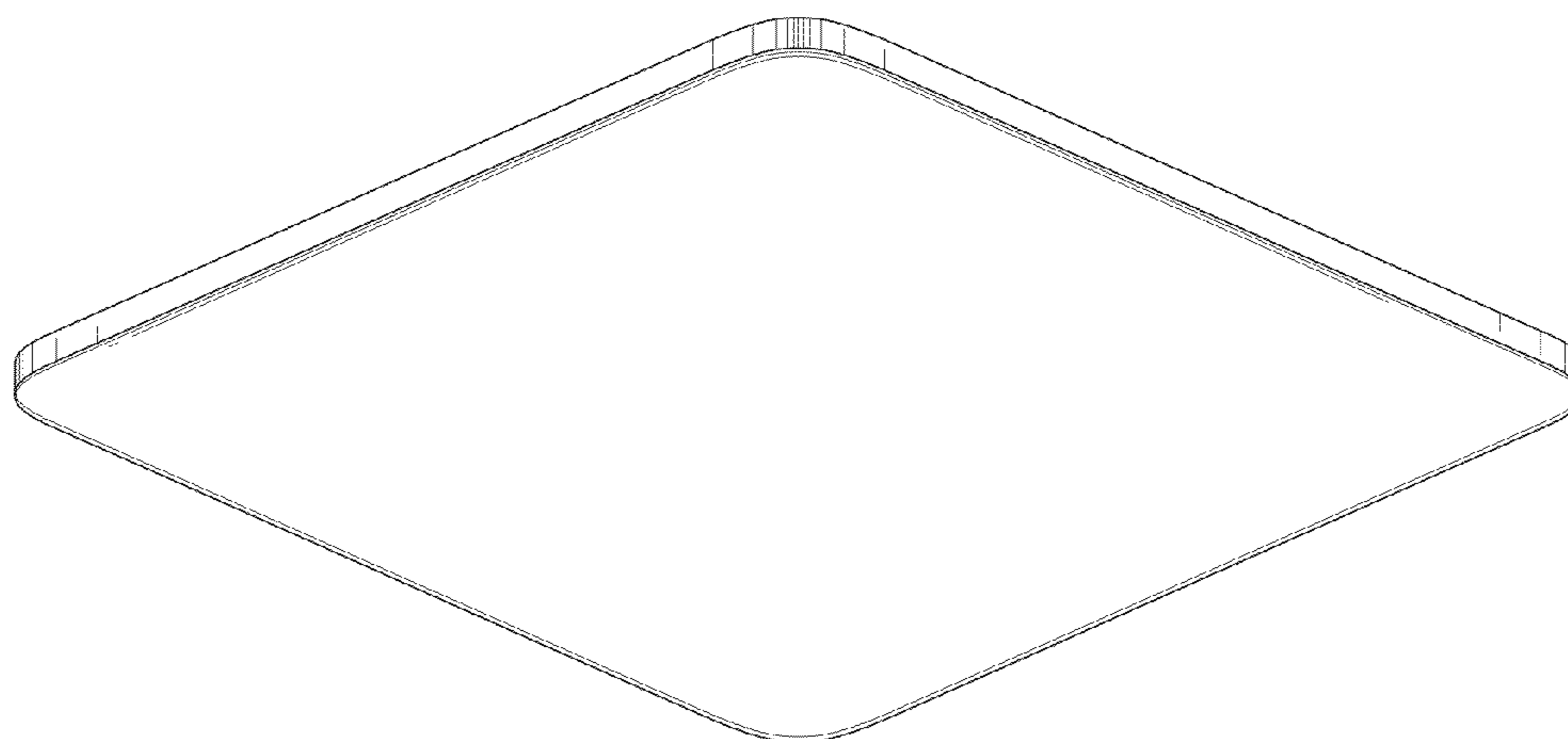


FIG. 1

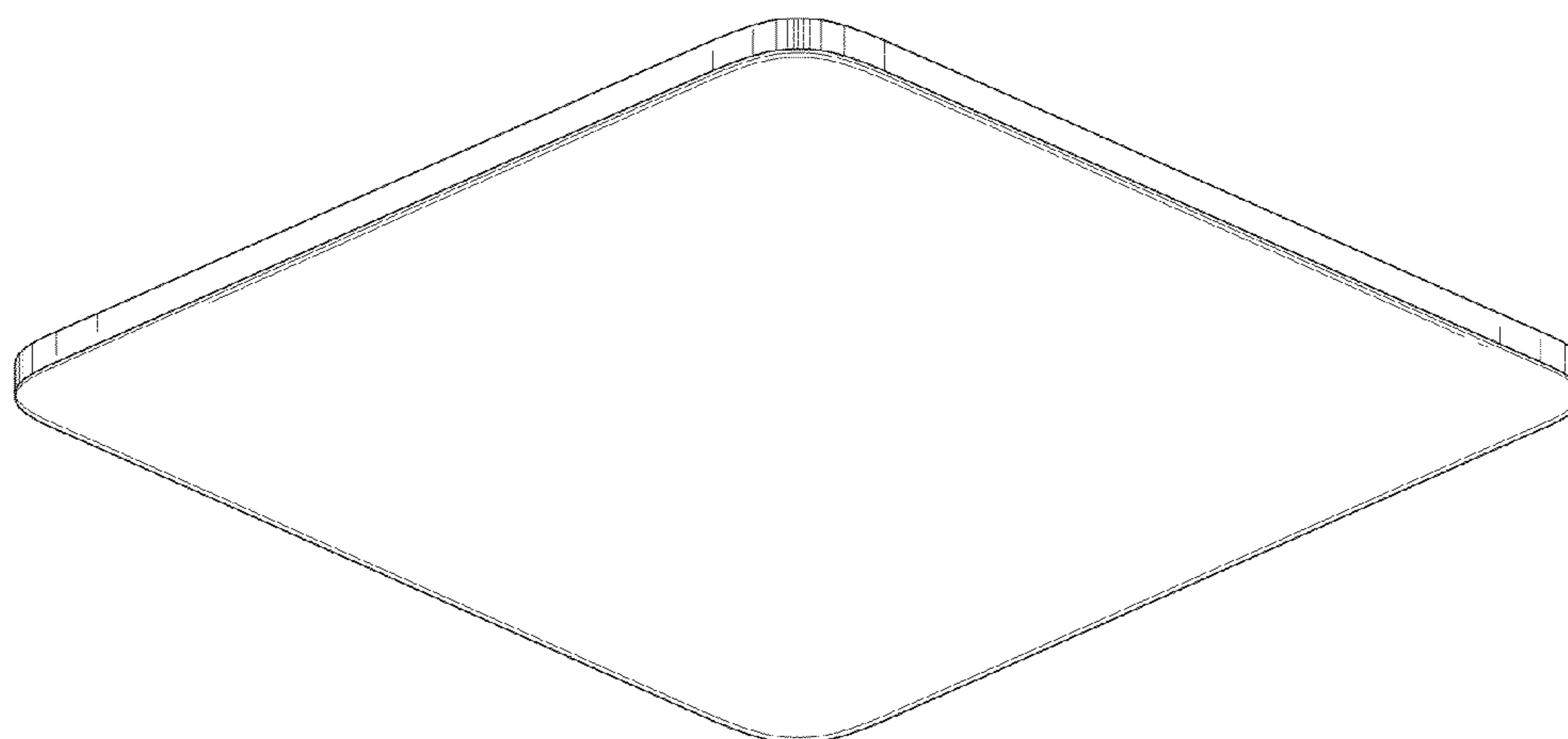


FIG. 2

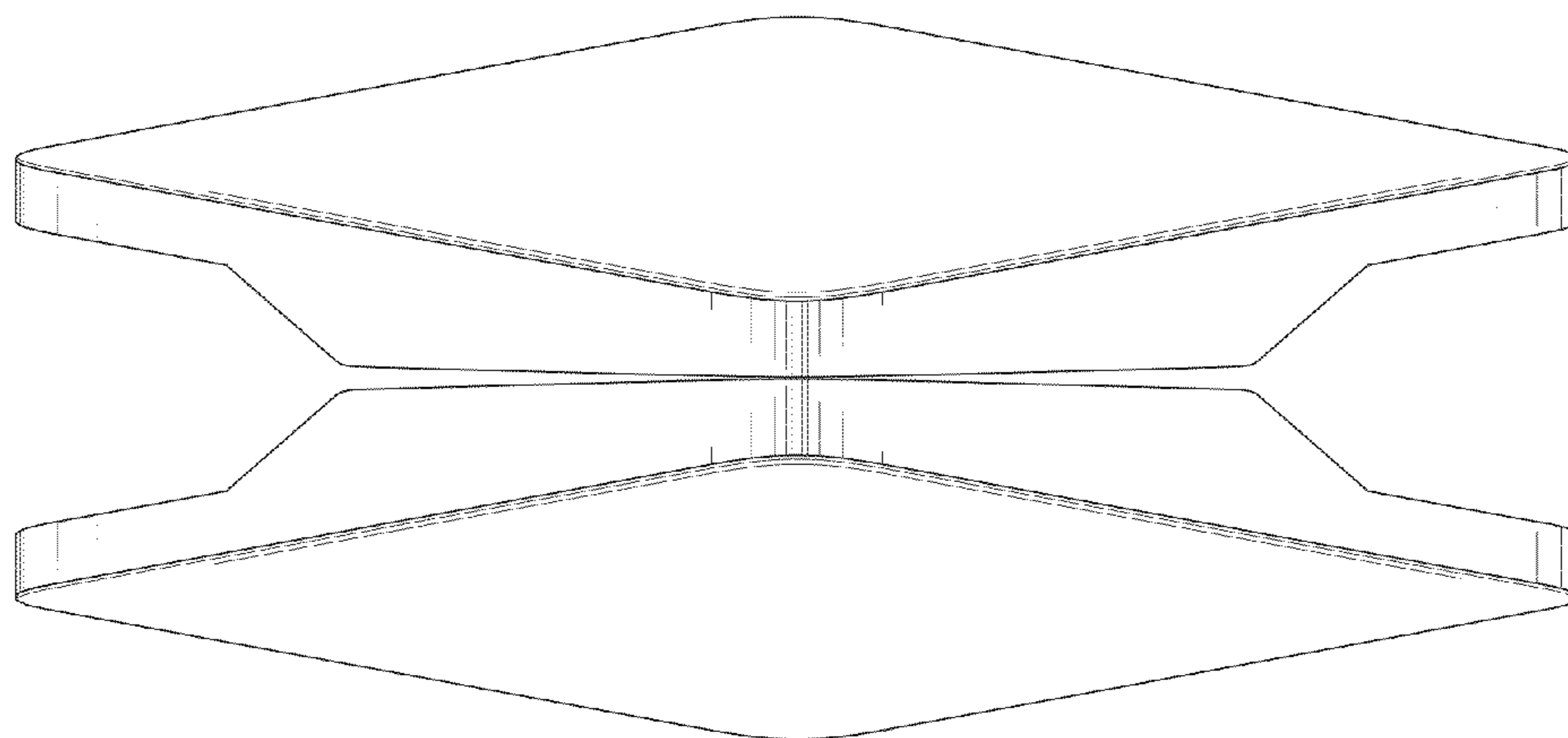


FIG. 3

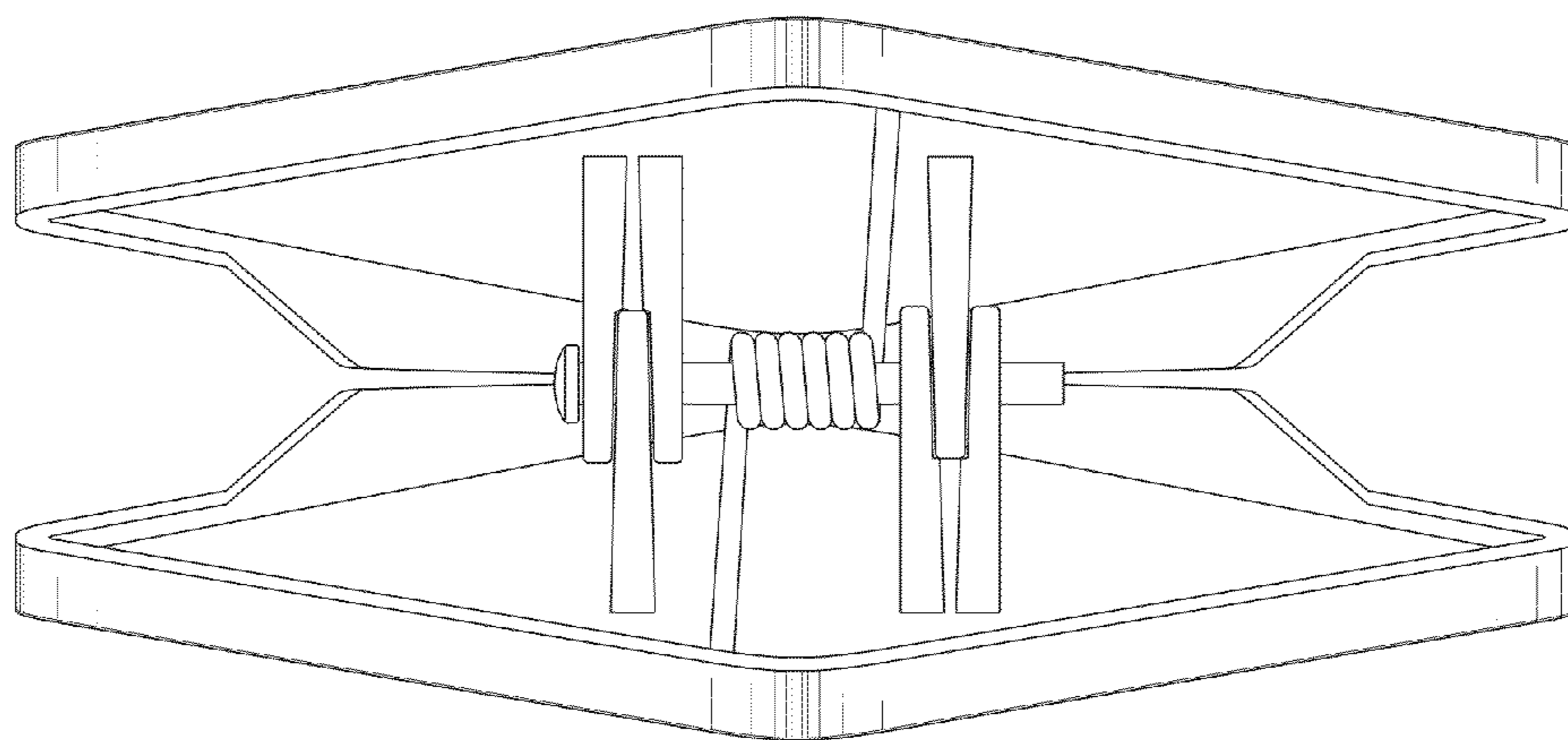


FIG. 4

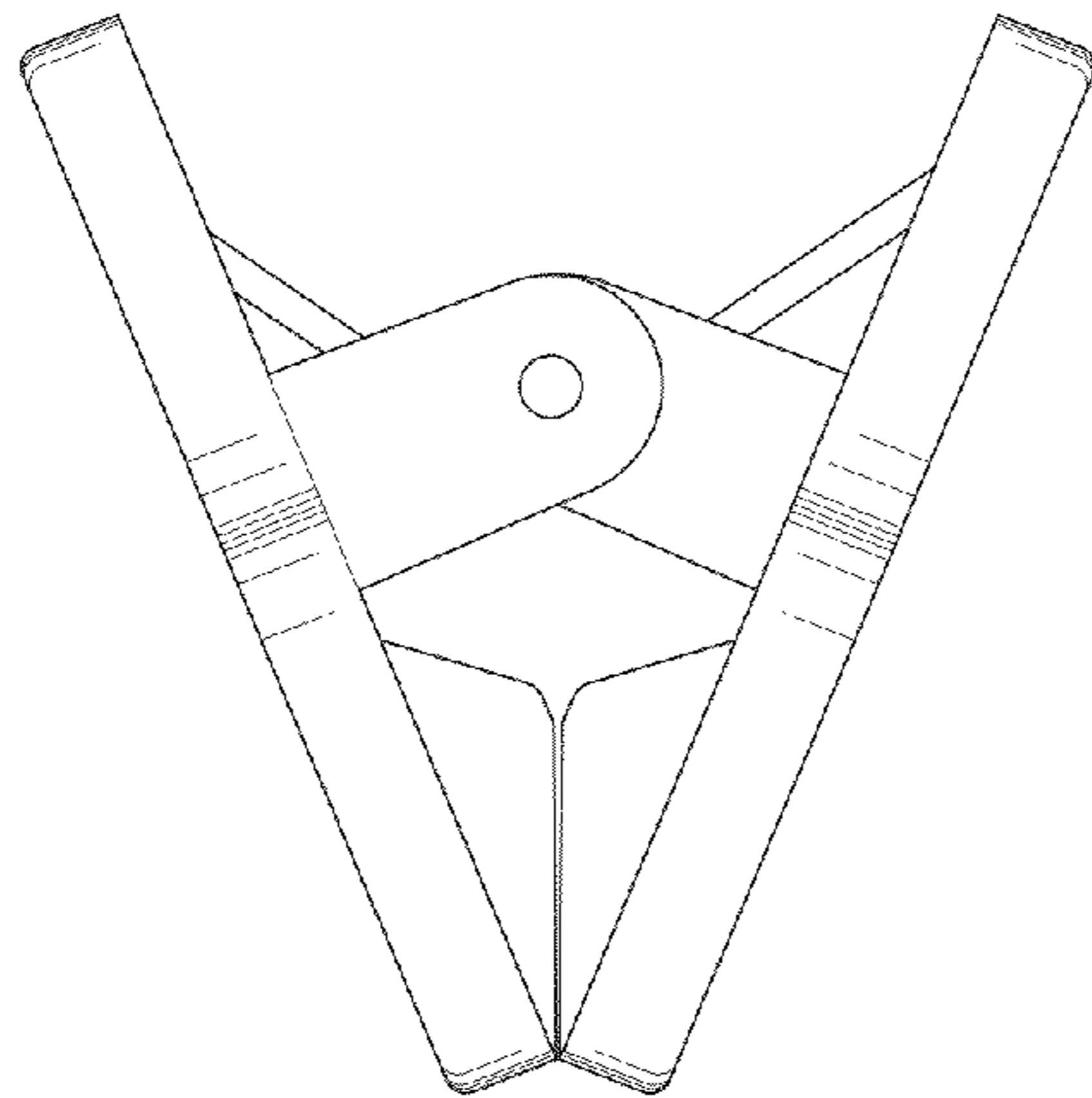


FIG. 5

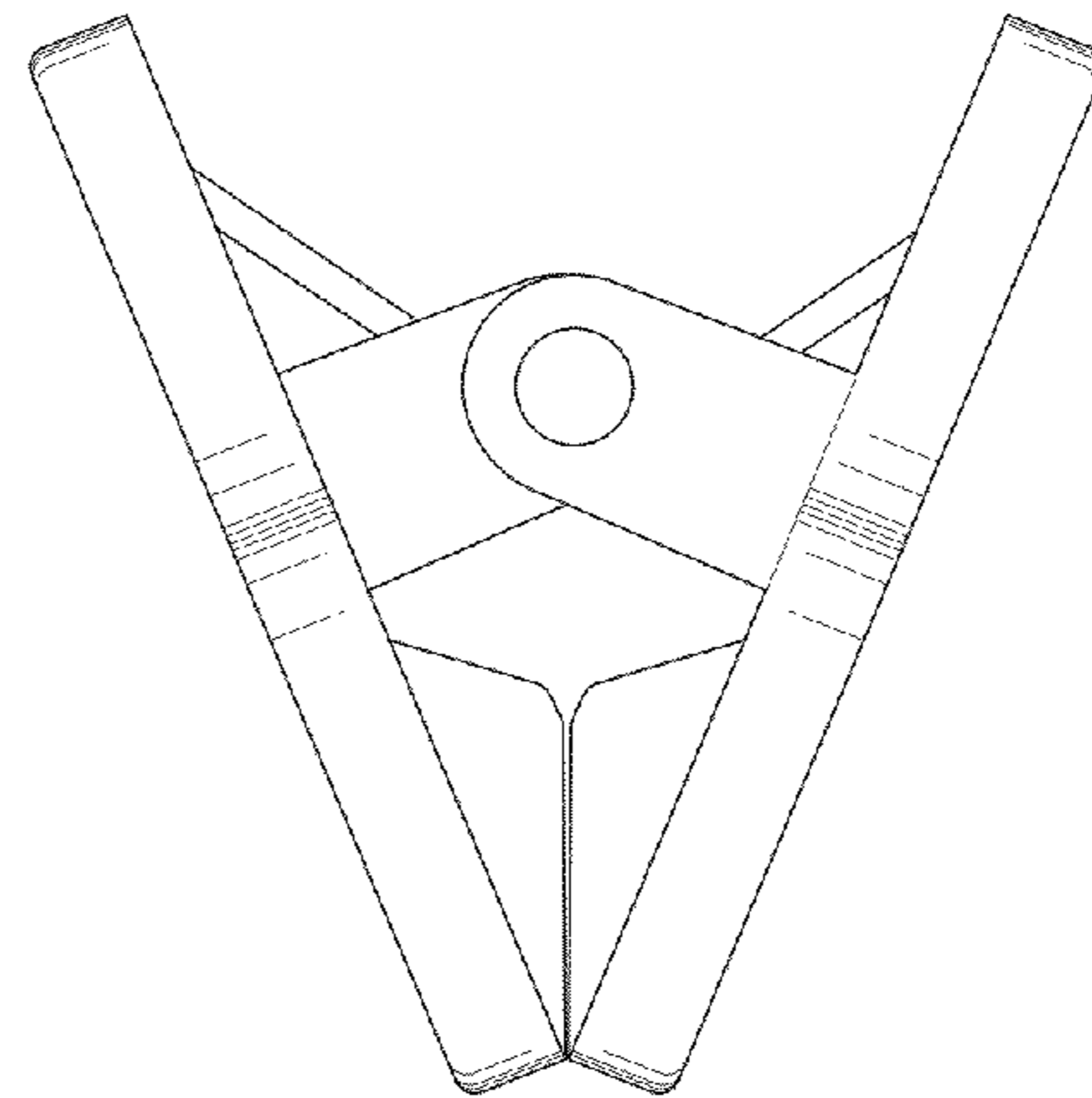


FIG. 6

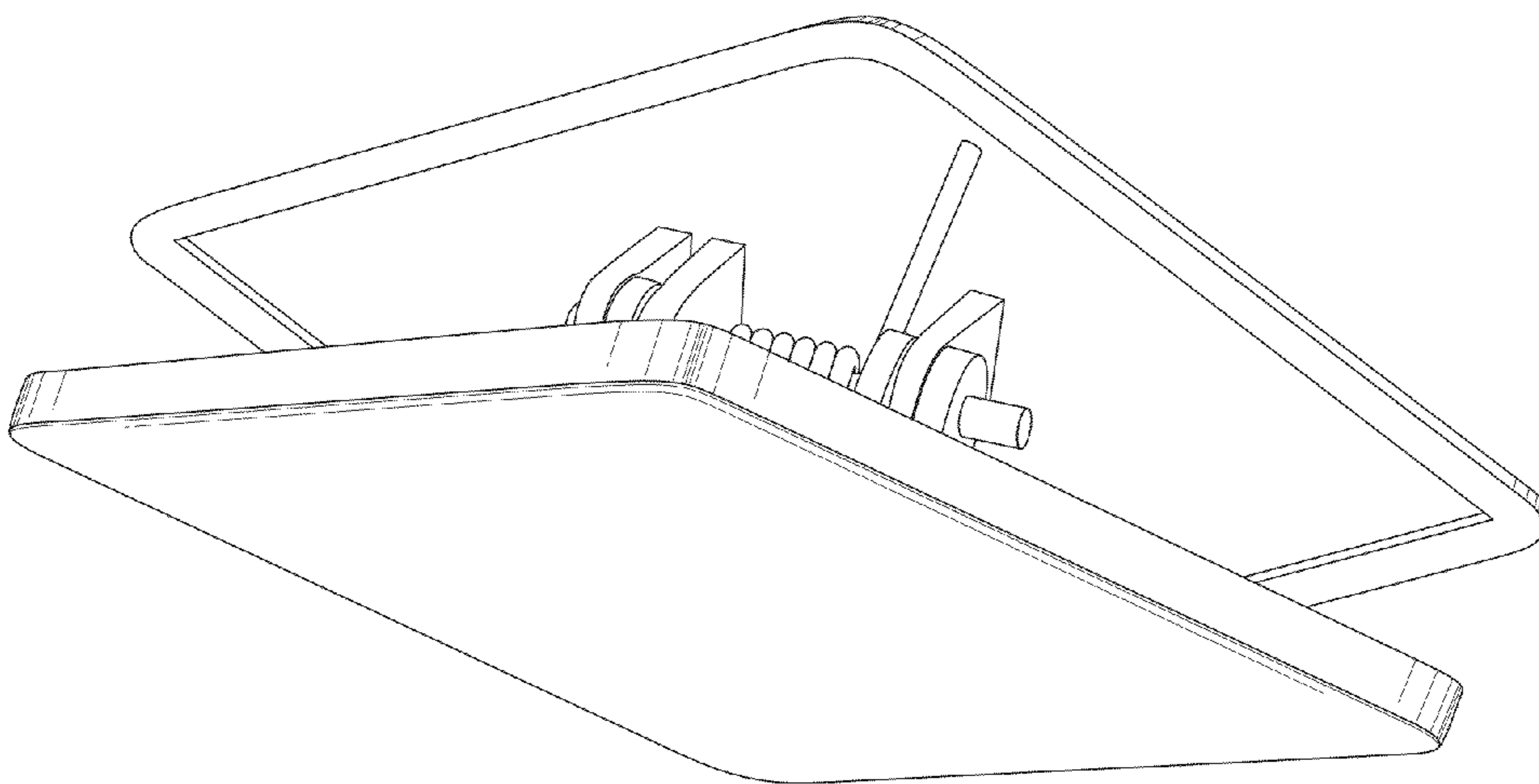


FIG. 7