



US00D736610S

(12) **United States Design Patent**  
**Rey**

(10) **Patent No.:** **US D736,610 S**

(45) **Date of Patent:** **\*\* Aug. 18, 2015**

(54) **SEALING APPARATUS**

(71) Applicant: **Tomas Rey**, El Paso, TX (US)

(72) Inventor: **Tomas Rey**, El Paso, TX (US)

(\*\*) Term: **14 Years**

(21) Appl. No.: **29/457,629**

(22) Filed: **Jun. 12, 2013**

(51) **LOC (10) Cl.** ..... **08-08**

(52) **U.S. Cl.**  
USPC ..... **D8/394**

(58) **Field of Classification Search**  
USPC ..... D8/72, 394, 395, 396, 356; D9/434,  
D9/443; 140/82; 24/30.5 R, 30.5 P, 237,  
24/506, 517, 519; 383/63, 78, 81, 68  
CPC ..... B65D 33/1675; B65D 33/2591; B65D  
33/2541; B65D 33/1691; B65D 33/1666;  
F16L 33/12; D06F 55/00; B21F 45/22  
See application file for complete search history.

(56) **References Cited**

**U.S. PATENT DOCUMENTS**

D260,083 S *	8/1981	Strickland	.....	D9/443
4,296,529 A *	10/1981	Brown	.....	24/30.5 P
D264,689 S *	6/1982	Miller	.....	D9/434
D299,008 S *	12/1988	Näslund	.....	D9/443
D301,548 S *	6/1989	Weaver	.....	D9/434
D308,017 S *	5/1990	Fujioka	.....	D8/396
D309,835 S *	8/1990	Stone et al.	.....	D6/328
D312,403 S *	11/1990	Furutsu	.....	D9/434
D317,571 S *	6/1991	Henriksson	.....	D9/443
D329,373 S *	9/1992	Kaga	.....	D8/394
D329,374 S *	9/1992	Kaga	.....	D8/394
D342,669 S *	12/1993	Solomon	.....	D8/396
D368,589 S *	4/1996	Guio	.....	D32/61
D372,674 S *	8/1996	Weber et al.	.....	D9/443
D375,045 S *	10/1996	Weber et al.	.....	D9/443
D384,459 S *	9/1997	Eisenman	.....	D32/61
5,713,108 A *	2/1998	Solomon et al.	.....	24/30.5 R
D391,851 S *	3/1998	Joergensen	.....	D9/434

D406,509 S *	3/1999	Rivera	.....	D8/55
D410,828 S *	6/1999	Rivera	.....	D8/55
D439,831 S *	4/2001	Henriksson	.....	D8/394

(Continued)

**FOREIGN PATENT DOCUMENTS**

EP 1356796 A1 10/2003

*Primary Examiner* — John Windmuller

*Assistant Examiner* — Steven Czyz

(74) *Attorney, Agent, or Firm* — Ash Tankha; Lipton, Weinberger & Husick

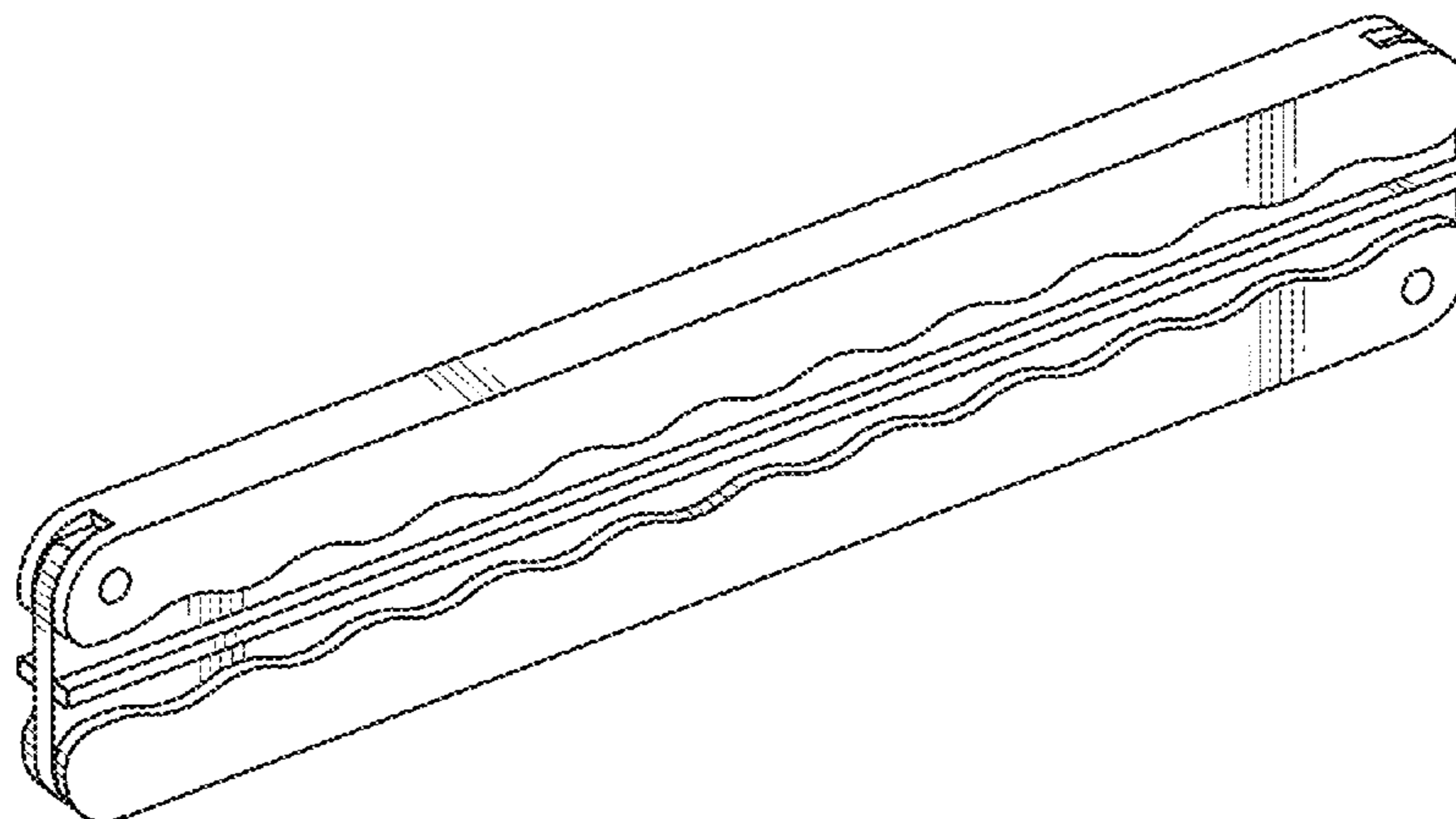
(57) **CLAIM**

The ornamental design for a sealing apparatus, as shown and described.

**DESCRIPTION**

FIG. 1 is a front isometric view of an ornamental design for a sealing apparatus in closed condition; FIG. 2 is a front elevation view thereof; FIG. 3 is a sectional view thereof, taken along a section A-A in FIG. 2; FIG. 4 is a rear elevation view thereof; FIG. 5 is a top plan view thereof; FIG. 6 is a bottom view thereof; FIG. 7 is a right side view thereof; FIG. 8 is a left side view thereof; FIG. 9 is a front isometric view of the sealing apparatus in an open condition; FIG. 10 is a front elevation view of the sealing apparatus in the open condition; and, FIG. 11 is a front isometric view of the sealing apparatus, showing bags sealed between adjoining elongate clip members of the sealing apparatus. The broken line showing of the bags in FIG. 11 is for the purpose of illustrating environment and forms no part of the claimed design.

**1 Claim, 8 Drawing Sheets**



(56)

**References Cited**

U.S. PATENT DOCUMENTS

D443,201 S \* 6/2001 Bendick ..... D8/394  
D472,457 S \* 4/2003 Fenton et al. .... D8/394  
D484,034 S \* 12/2003 Smith-Kielland et al. .... D8/394

D484,035 S \* 12/2003 Smith-Kielland et al. .... D8/394  
D486,385 S \* 2/2004 Smith-Kielland et al. .... D8/394  
6,904,646 B2 \* 6/2005 Reynolds ..... 24/30.5 R  
D563,778 S \* 3/2008 Weinacker, Jr. .... D8/394  
D673,272 S \* 12/2012 Trivisani ..... D24/143

\* cited by examiner

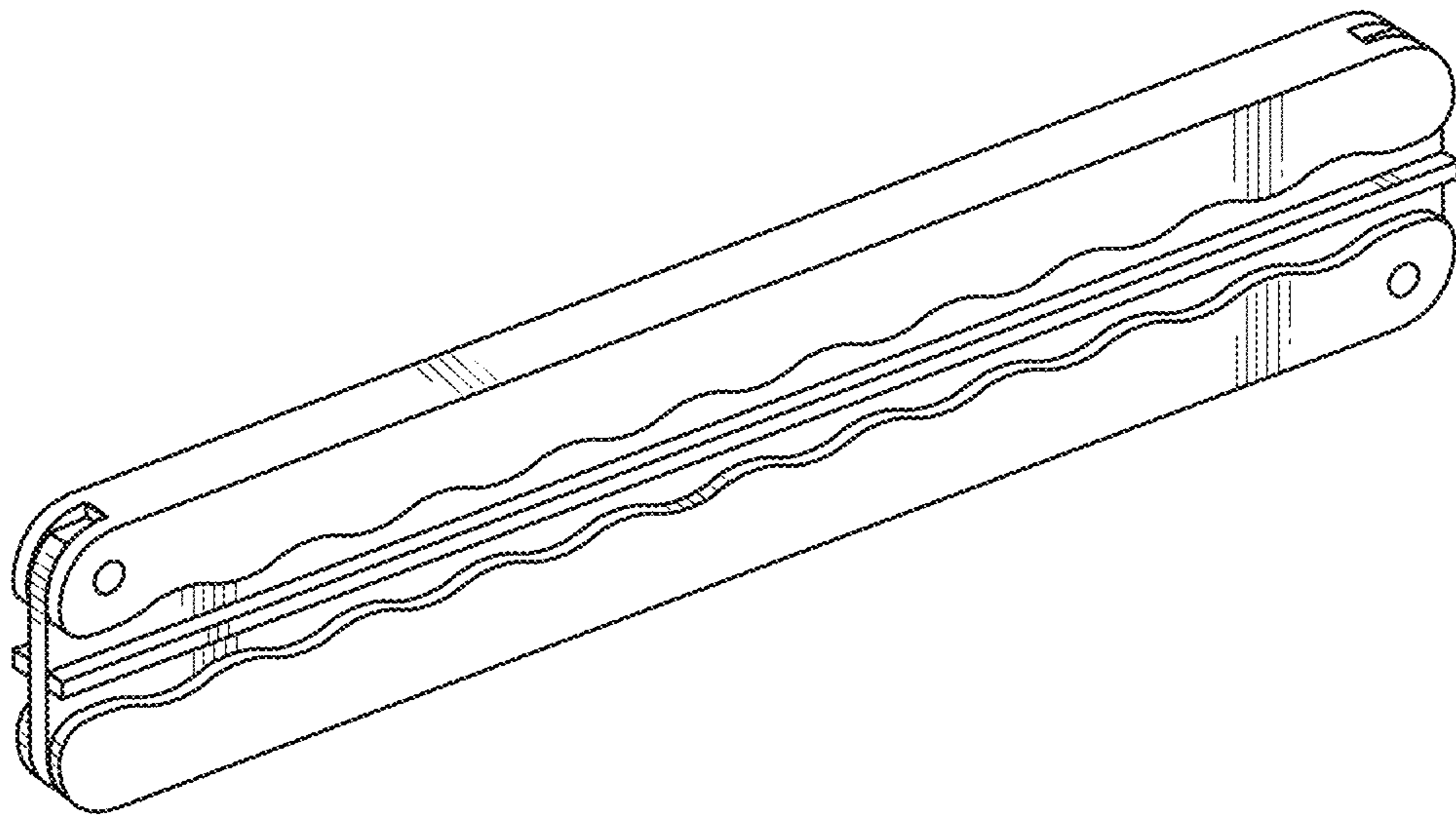


FIG. 1

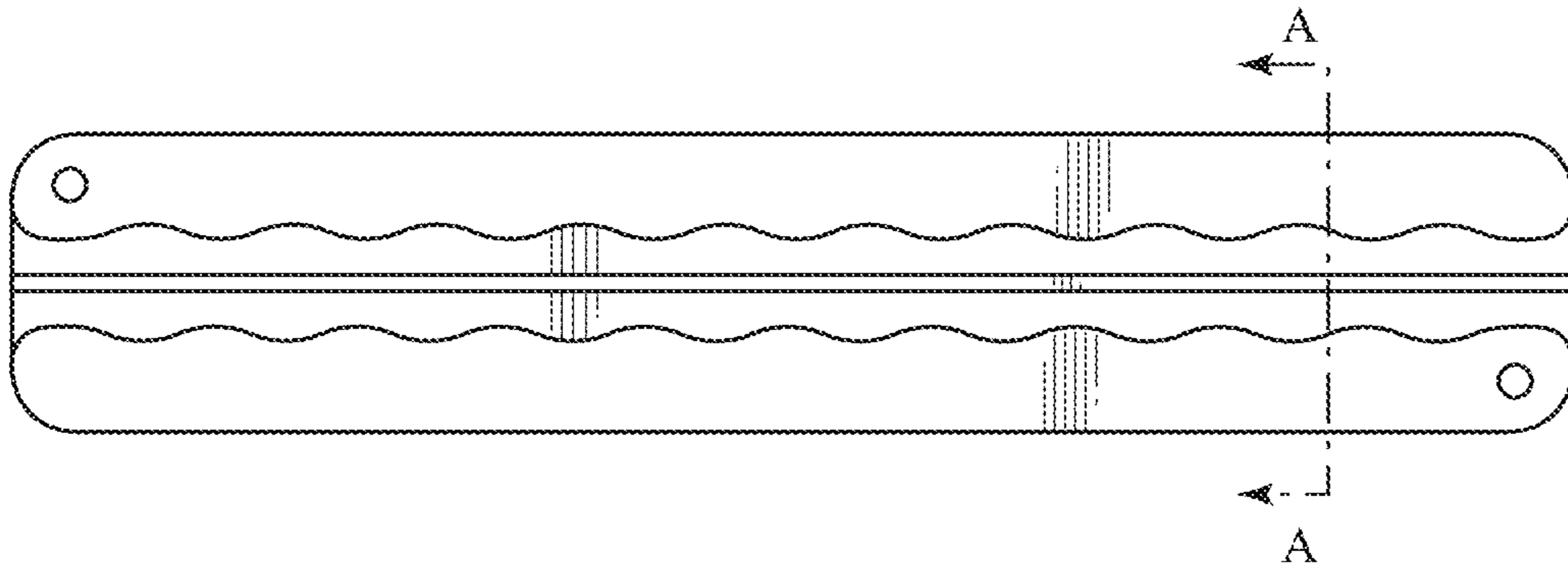


FIG. 2



FIG. 3

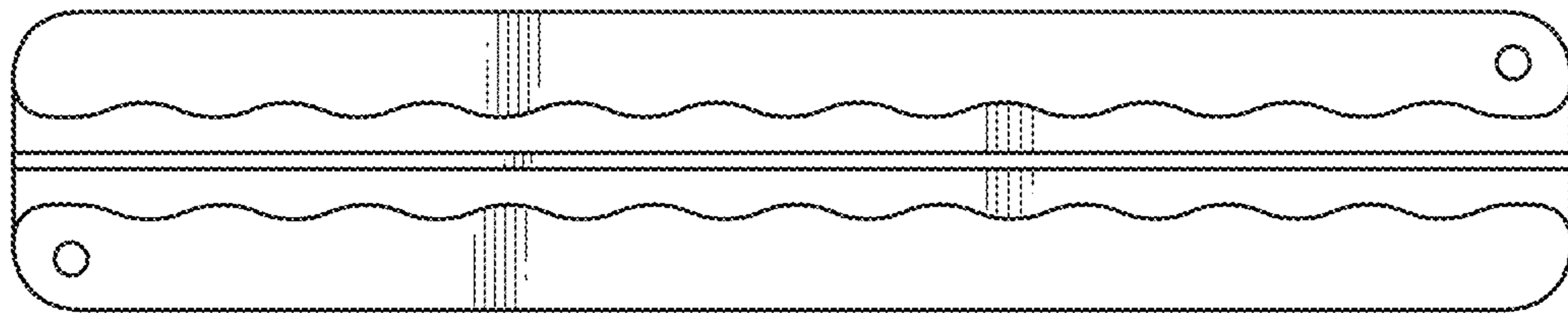


FIG. 4



FIG. 5



FIG. 6

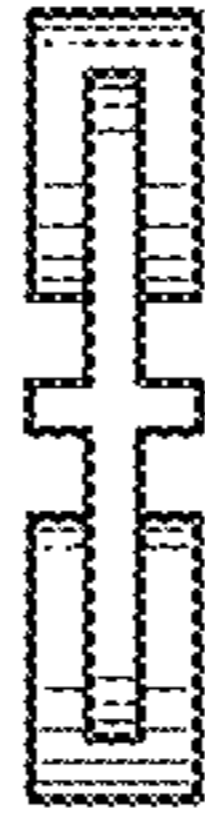


FIG. 7



FIG. 8

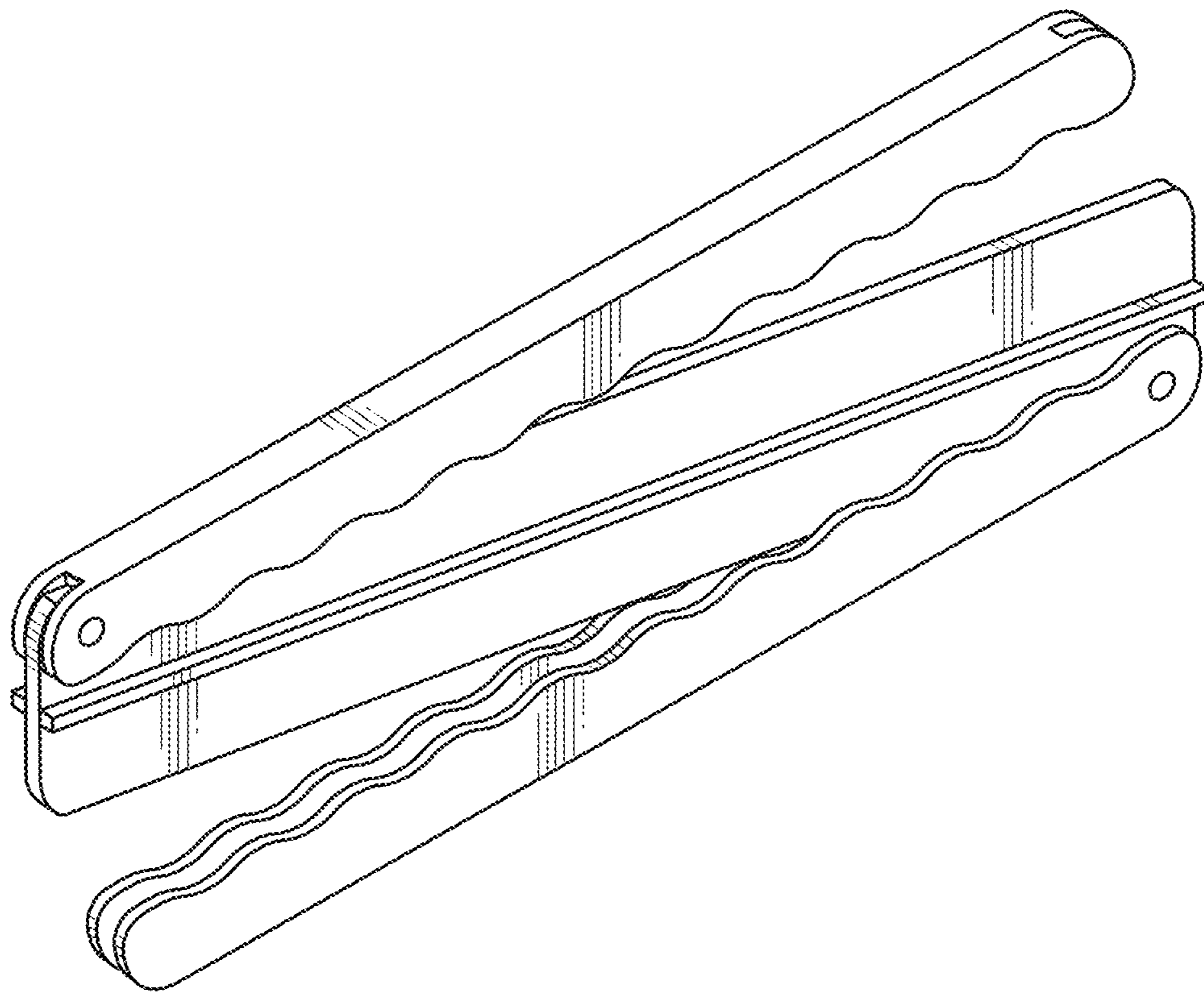


FIG. 9



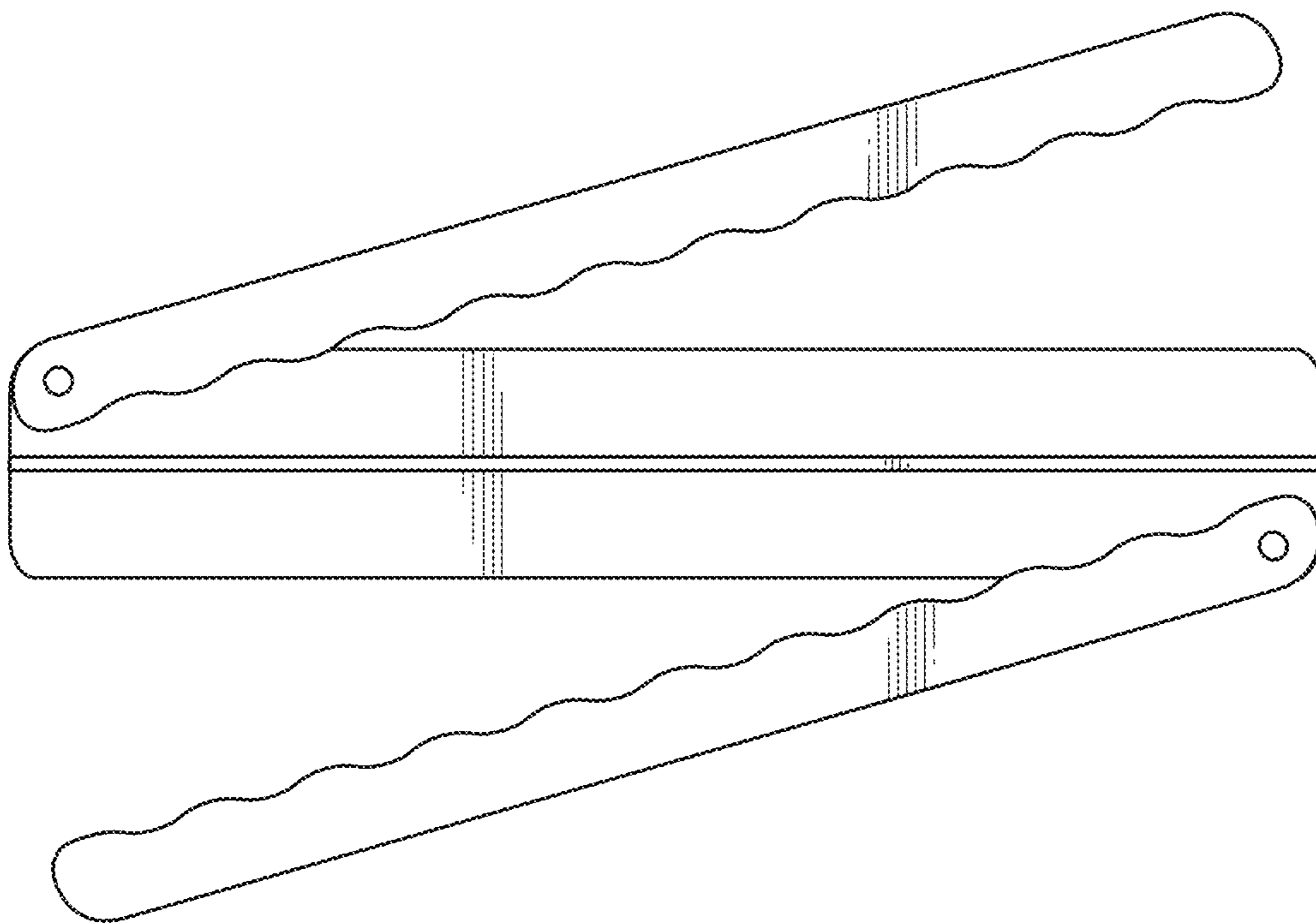


FIG. 10

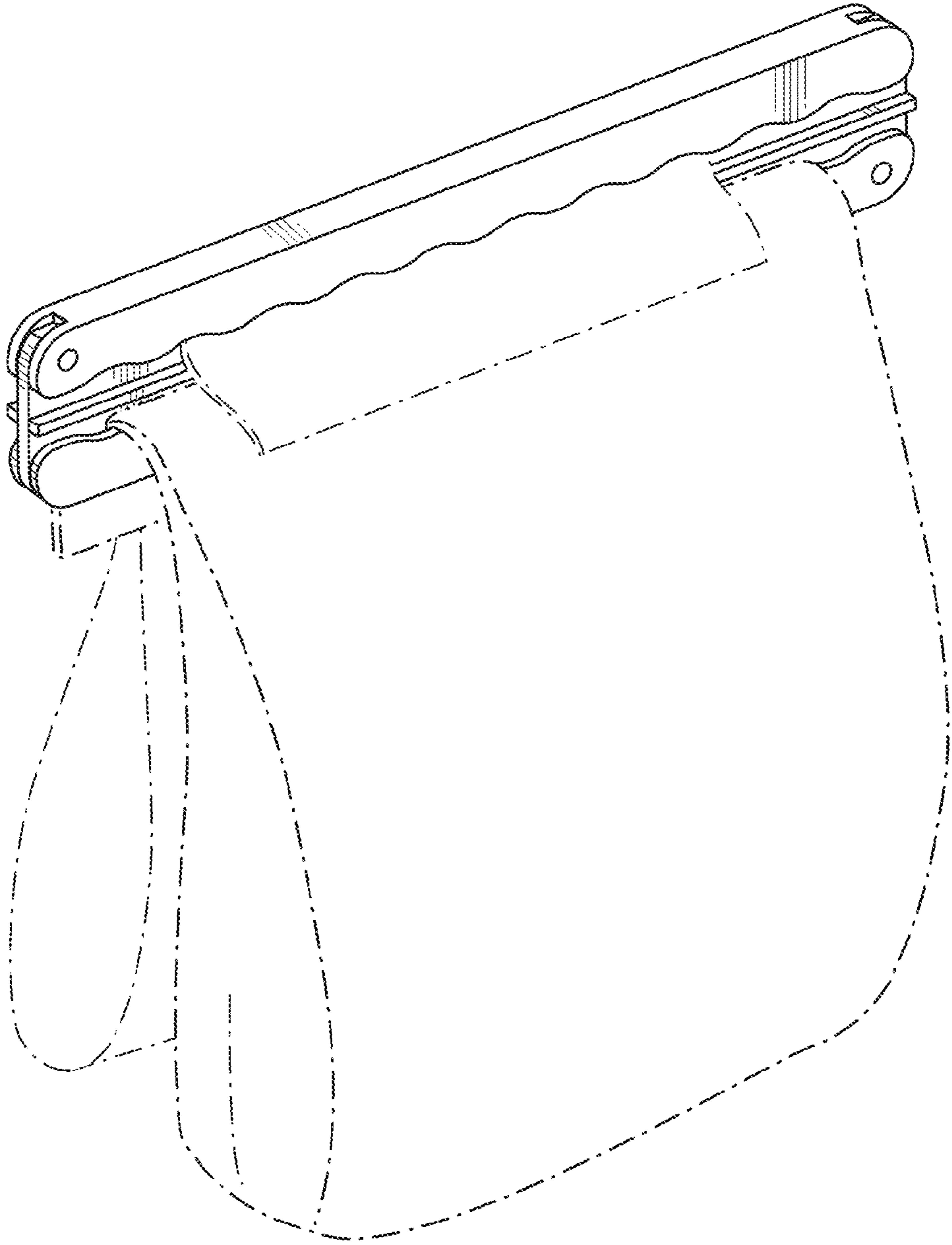


FIG. 11