



US00D736609S

(12) **United States Design Patent**
Coats

(10) **Patent No.:** **US D736,609 S**

(45) **Date of Patent:** **** Aug. 18, 2015**

(54) **CLAMP SHOULDER**

(71) Applicant: **Frank Howard Coats**, Thorofare, NJ
(US)

(72) Inventor: **Frank Howard Coats**, Thorofare, NJ
(US)

(73) Assignee: **PANDROL LIMITED**, Addlestone,
Surrey (GB)

(**) Term: **14 Years**

(21) Appl. No.: **29/441,606**

(22) Filed: **Jan. 8, 2013**

(51) **LOC (10) Cl.** **08-08**

(52) **U.S. Cl.**

USPC **D8/394**

(58) **Field of Classification Search**

USPC D8/394, 395, 396; D15/138; D3/10;
238/310, 343, 351, 347, 338, 336, 348;
248/49, 53, 56, 72

CPC B61G 5/06; B61G 5/08; F16L 3/02;
F16L 3/04; F16L 3/12; F16L 3/24; E01B
9/28; E01B 9/46; E01B 9/60; E01B 9/66

See application file for complete search history.

(56) **References Cited**

U.S. PATENT DOCUMENTS

D178,439	S	*	7/1956	Waller et al.	D8/394
4,050,284	A	*	9/1977	Miller	72/384
4,073,435	A	*	2/1978	Miller	238/349
4,190,200	A	*	2/1980	Morrow	238/349
4,278,204	A	*	7/1981	Miller	239/349
4,350,291	A	*	9/1982	Dobson	238/349
D270,133	S	*	8/1983	Craig	D8/388
4,397,437	A	*	8/1983	Madej	248/72
4,413,777	A	*	11/1983	Brown	238/349

4,466,569	A	*	8/1984	Taylor	238/1
D275,451	S	*	9/1984	Galloway	D8/396
4,479,440	A	*	10/1984	Burr et al.	104/307
D277,644	S	*	2/1985	Tolkko	D8/396
4,511,081	A	*	4/1985	Wilson	238/59
4,913,343	A	*	4/1990	Harkus	238/351
D314,663	S	*	2/1991	Seidel et al.	D3/10
D317,927	S	*	7/1991	Kern	D15/135
D318,282	S	*	7/1991	Kern	D15/138
5,520,330	A	*	5/1996	Brown et al.	238/351
5,566,882	A	*	10/1996	Brown et al.	
5,605,284	A	*	2/1997	Young	238/351
5,678,762	A	*	10/1997	Wood et al.	238/351
5,718,376	A	*	2/1998	Cox et al.	238/349
6,499,667	B1	*	12/2002	Rhodes et al.	238/264
6,923,381	B2	*	8/2005	Marshall et al.	238/351
7,648,080	B2	*	1/2010	Hohne et al.	238/351
7,954,727	B2	*	6/2011	Cox et al.	238/343
8,146,835	B2	*	4/2012	Cox et al.	

* cited by examiner

Primary Examiner — John Windmuller

Assistant Examiner — Steven Cxyz

(74) *Attorney, Agent, or Firm* — Gottlieb, Rackman & Reisman, P.C.

(57) **CLAIM**

The ornamental design for a clamp shoulder, as shown and described.

DESCRIPTION

FIG. 1 is a bottom perspective view of the clamp shoulder showing my new design;

FIG. 2 is a top plan view thereof;

FIG. 3 is a front elevational view thereof;

FIG. 4 is a right side elevational view thereof;

FIG. 5 is a left side elevational view thereof;

FIG. 6 is a rear elevational view thereof; and,

FIG. 7 is a bottom plan view thereof.

1 Claim, 3 Drawing Sheets

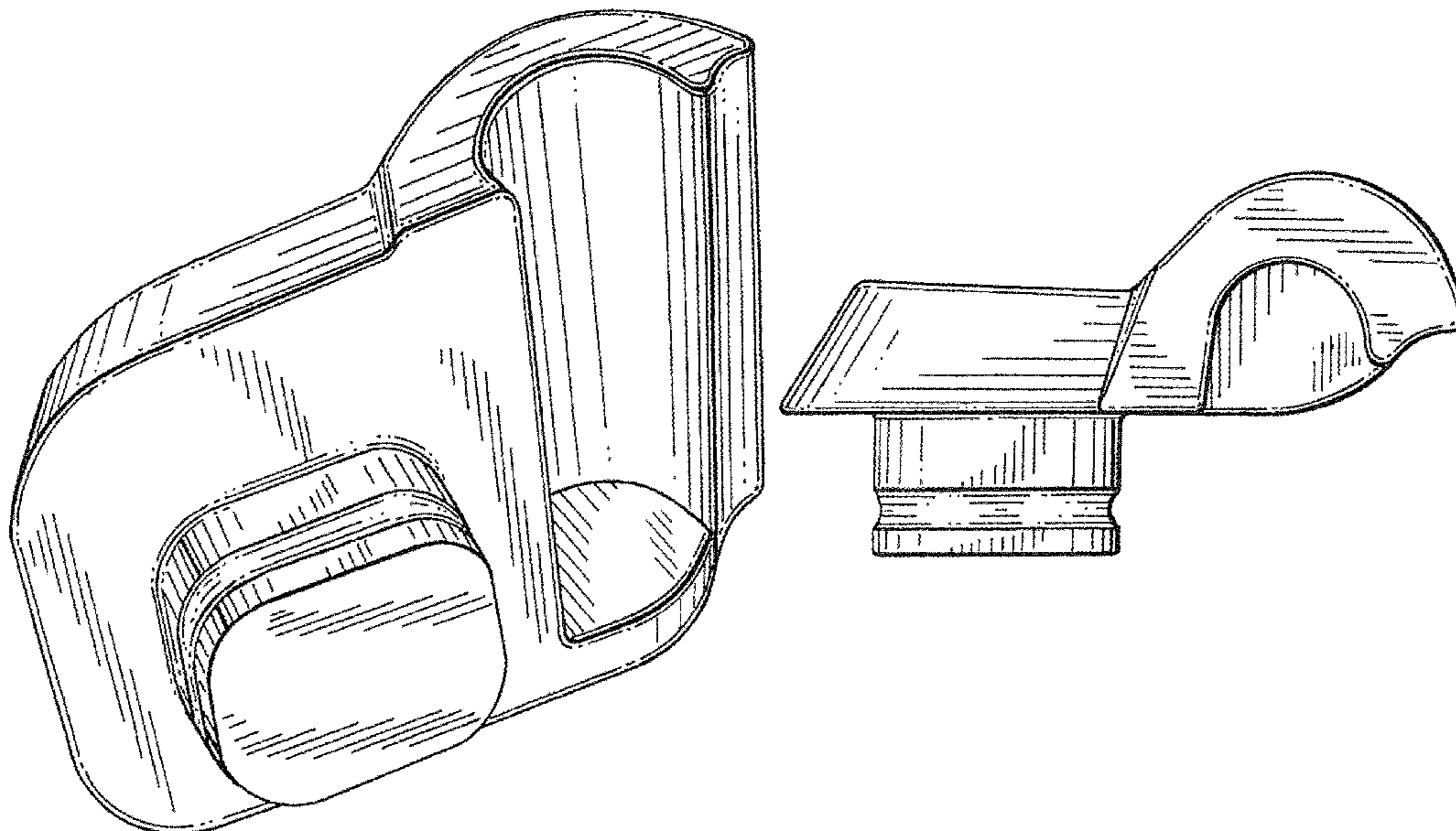


FIG. 1

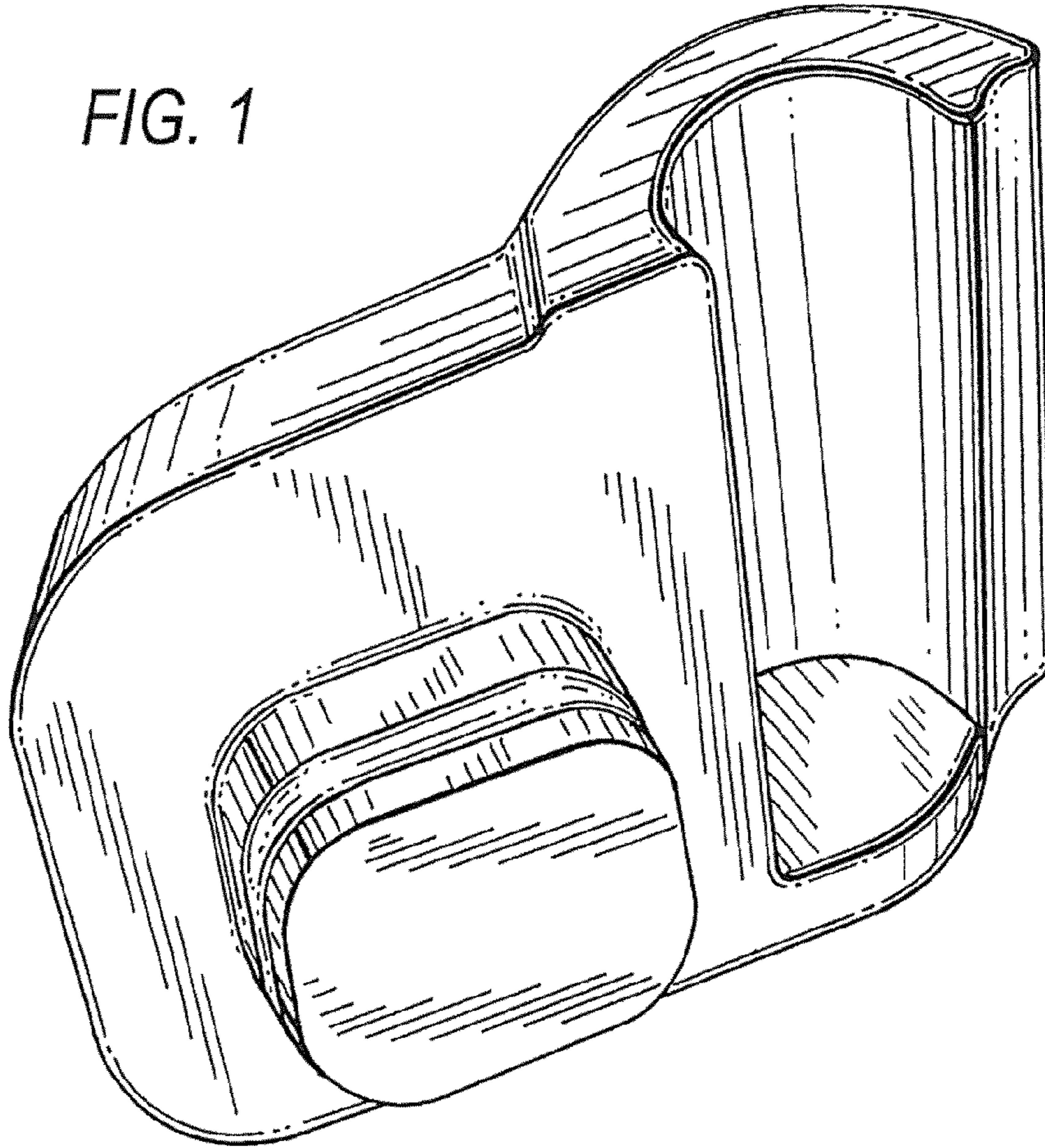


FIG. 4

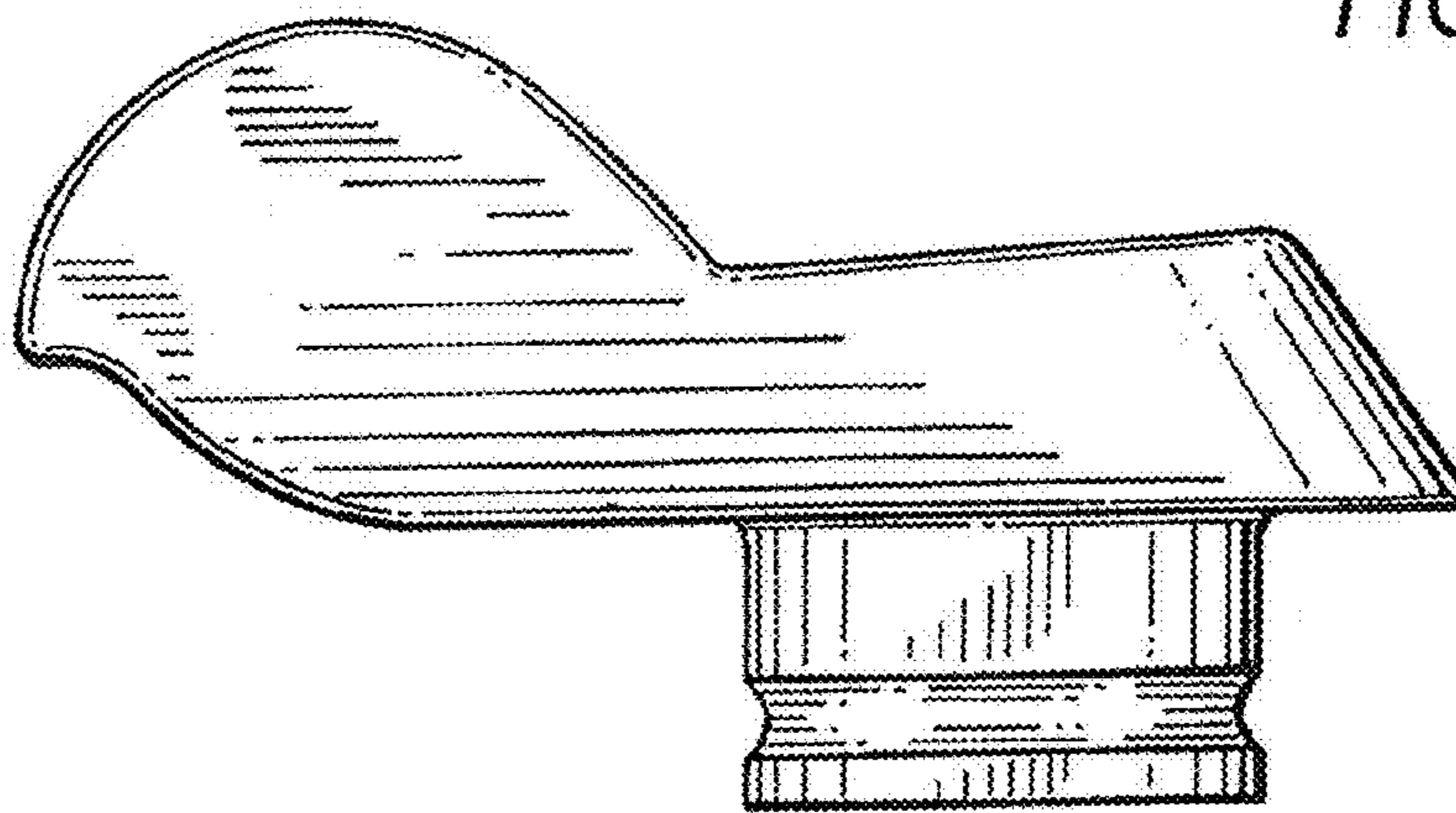


FIG. 2

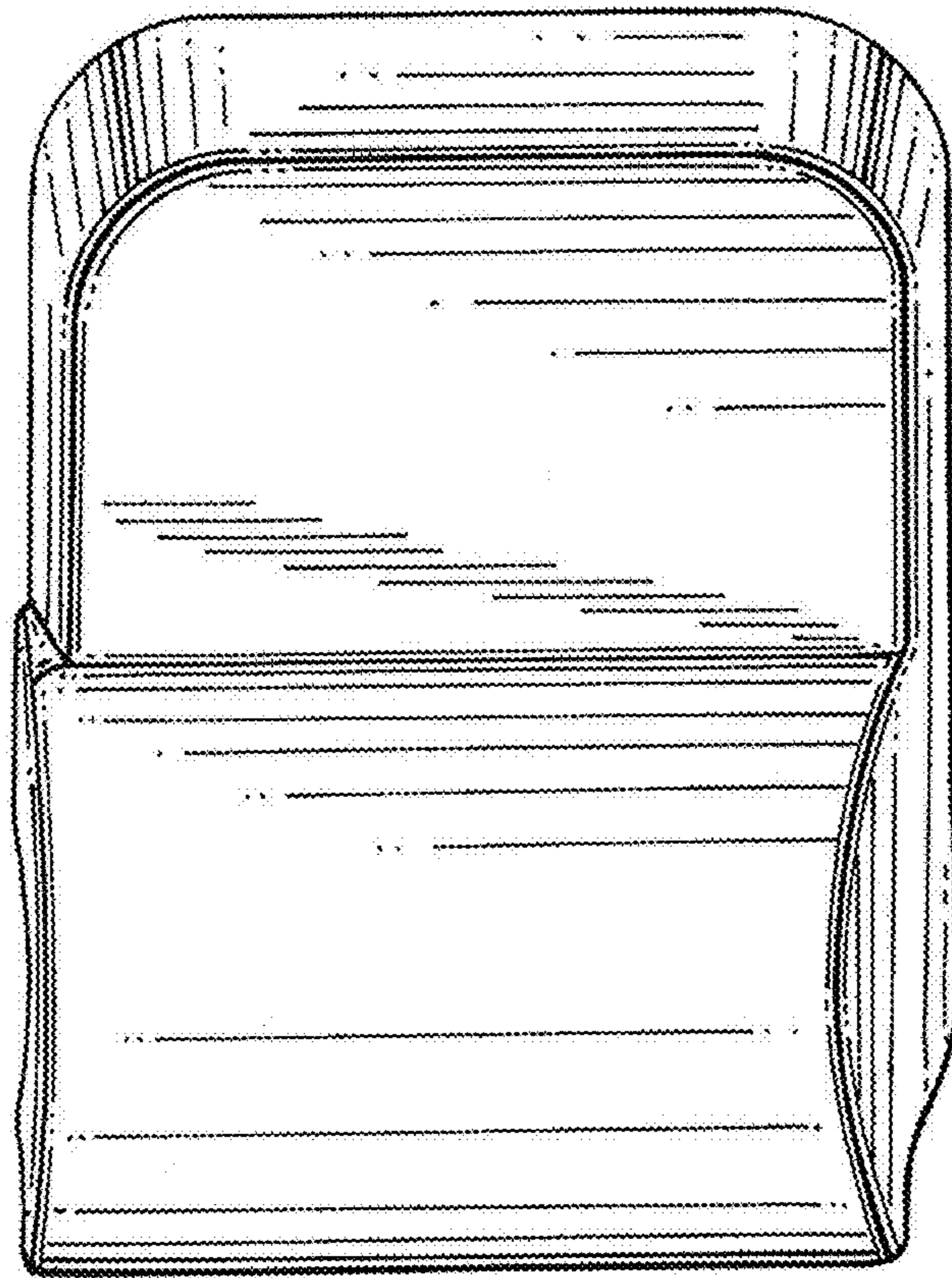


FIG. 3

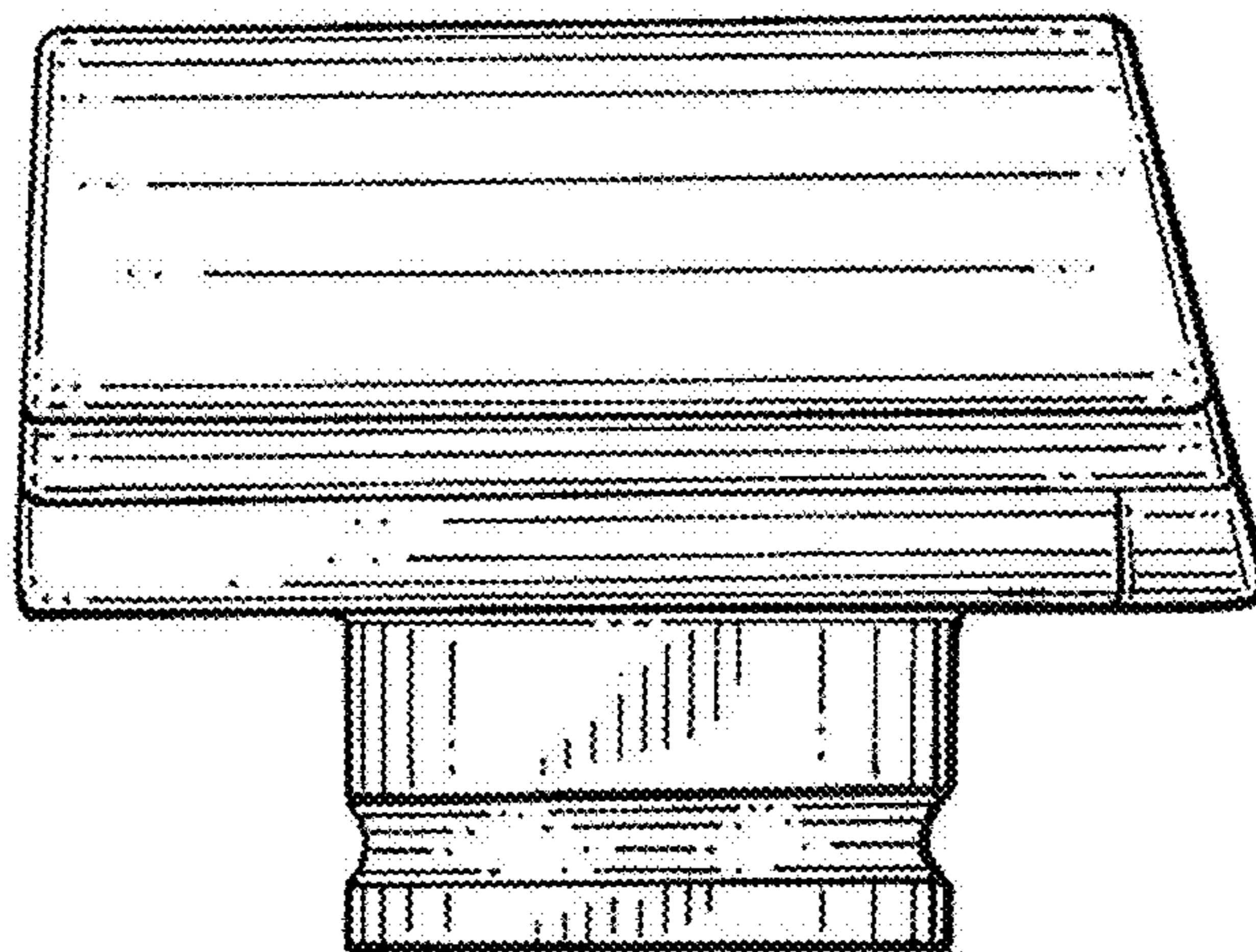


FIG. 5

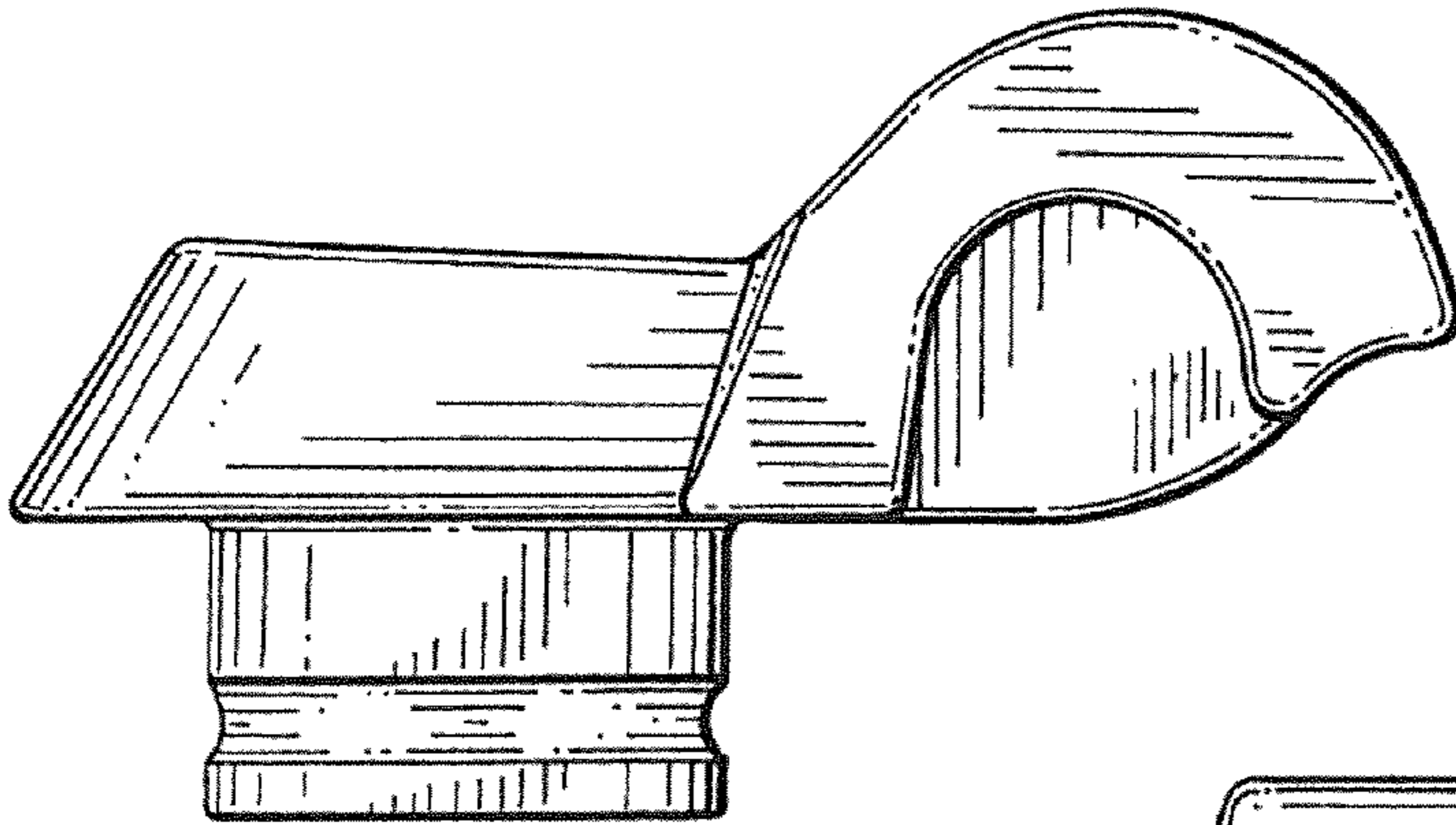


FIG. 6

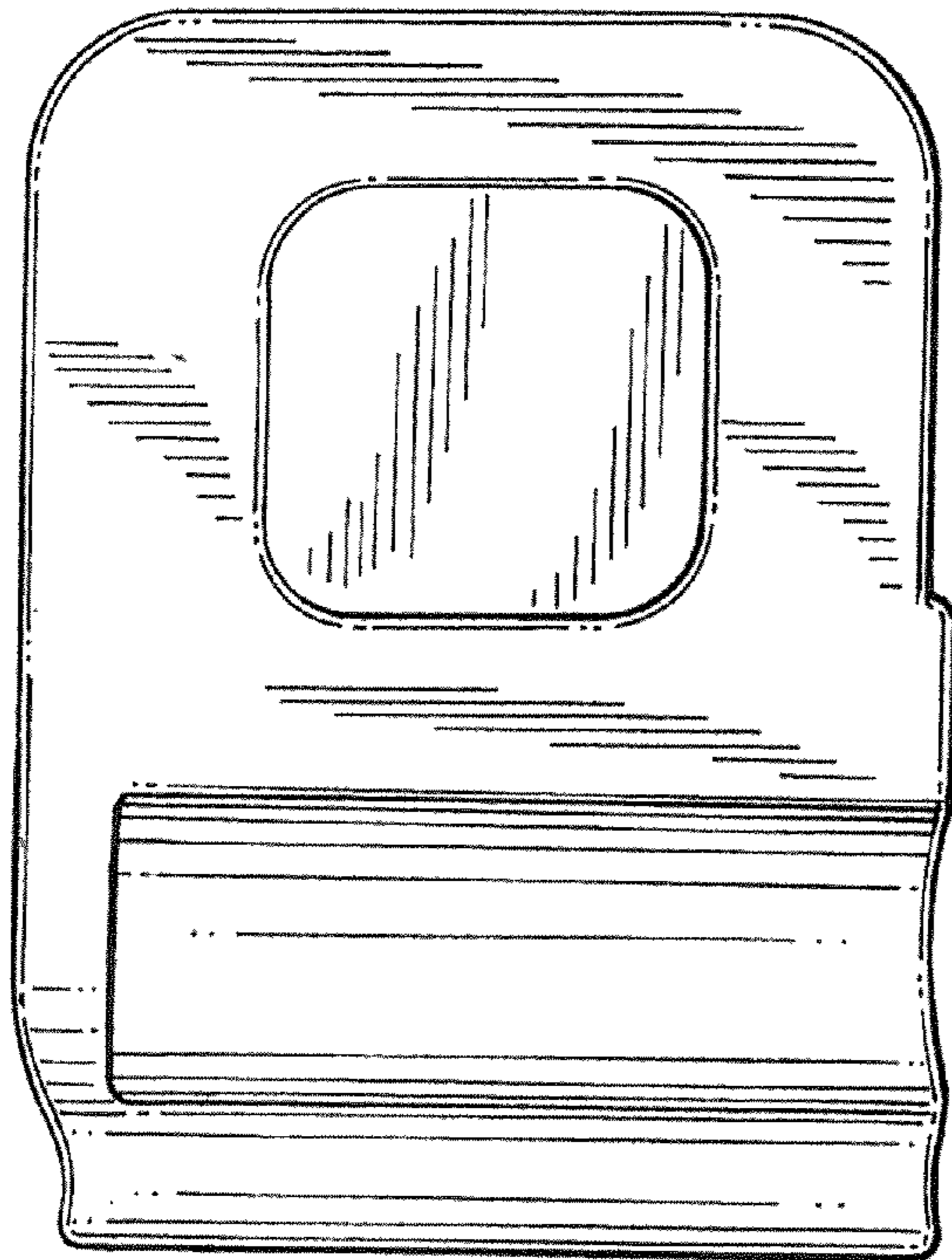
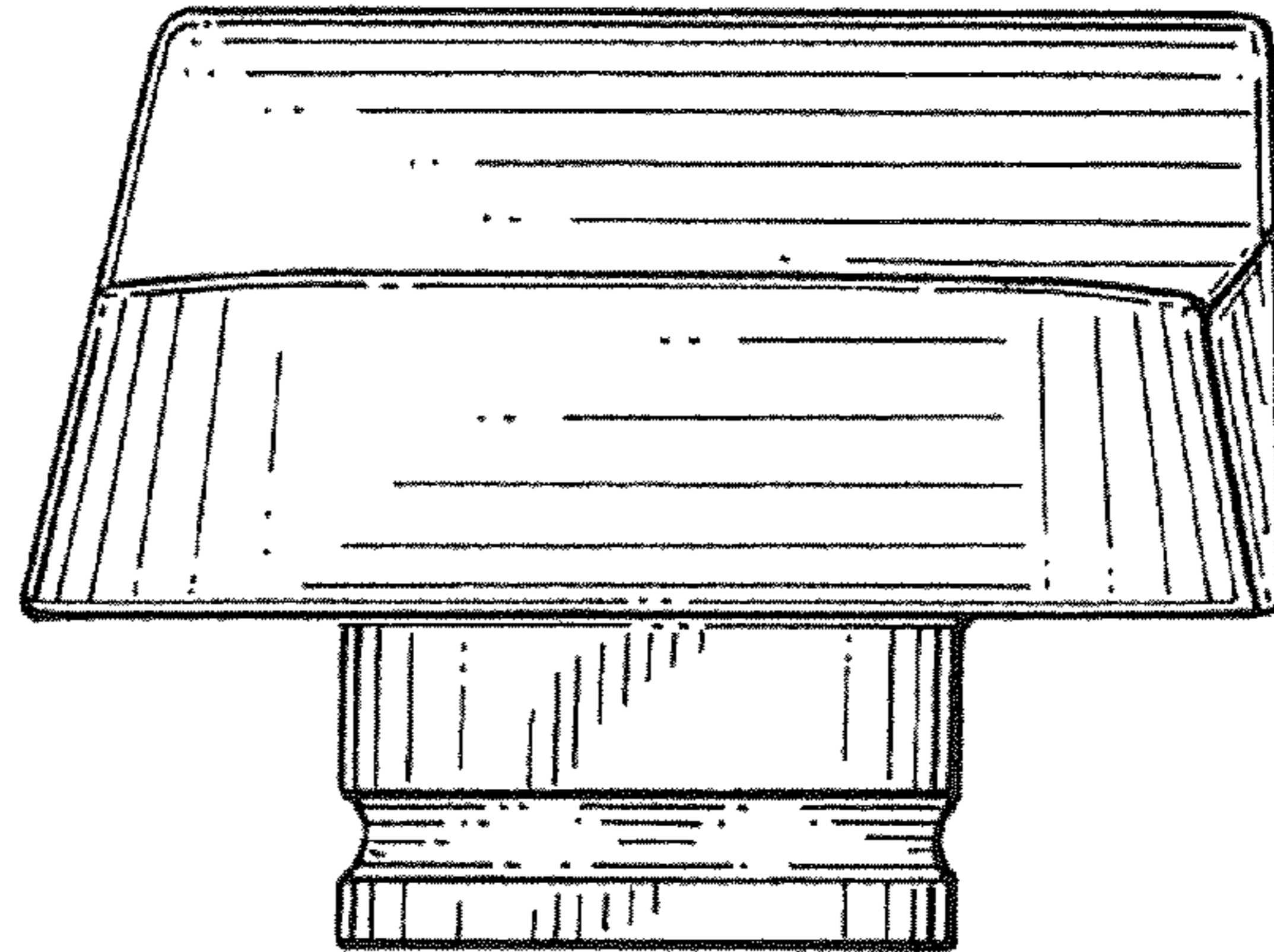


FIG. 7