



US00D736608S

(12) **United States Design Patent**  
**Fan**

(10) **Patent No.:** **US D736,608 S**

(45) **Date of Patent:** **\*\* Aug. 18, 2015**

(54) **CASTER**

(71) Applicant: **Tso-Yu Fan**, Changhua (TW)

(72) Inventor: **Tso-Yu Fan**, Changhua (TW)

(73) Assignee: **DER SHENG Co. Ltd.**, Changhua (TW)

(\*\*) Term: **14 Years**

(21) Appl. No.: **29/482,555**

(22) Filed: **Feb. 19, 2014**

(51) **LOC (10) Cl.** ..... **08-05**

(52) **U.S. Cl.**  
USPC ..... **D8/375**

(58) **Field of Classification Search**  
USPC ..... D24/183; D12/19; 16/31 R, 18 R, 29,  
16/35 D, 35 R, 37, 45; D3/318; D34/27  
CPC ..... B60B 33/0002; B60B 33/0049; B60B  
33/0042; B60B 33/0068; B60B 33/0057;  
B60B 33/0073; B60B 33/0028; B60B  
33/0039; B60B 33/0021; B60B 33/00; B60B  
33/0005; B60B 33/0018; B60B 33/0007;  
B60B 33/0023; B60B 33/021

See application file for complete search history.

(56) **References Cited**

U.S. PATENT DOCUMENTS

D343,787 S *	2/1994	Finkeldey et al.	.....	D8/375
D451,788 S *	12/2001	Grove	.....	D8/375
D557,596 S *	12/2007	Screen	.....	D8/375
D570,200 S *	6/2008	Jen	.....	D8/375
D594,316 S *	6/2009	Rhein et al.	.....	D8/375
D603,690 S *	11/2009	Rhein et al.	.....	D8/375
7,891,051 B2 *	2/2011	Chou	.....	16/35 R

\* cited by examiner

*Primary Examiner* — Robert M Spear

*Assistant Examiner* — Eliza Bennett-Hattan

(74) *Attorney, Agent, or Firm* — Che-Yang Chen; Law Office of Michael Chen

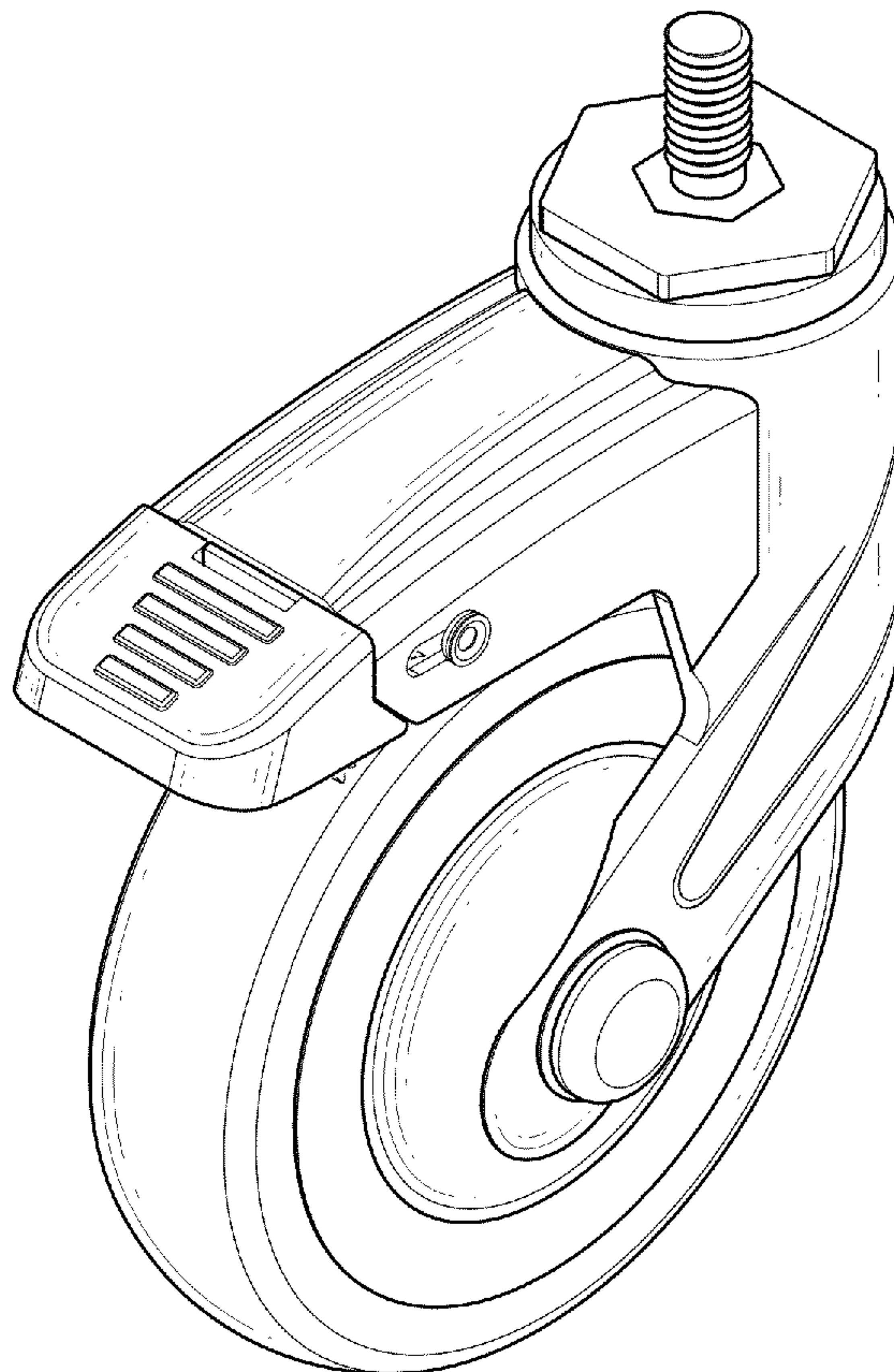
(57) **CLAIM**

The ornamental design for a caster, as shown and described.

**DESCRIPTION**

FIG. 1 is a perspective view of a caster showing my new design;  
FIG. 2 is a front elevational view thereof;  
FIG. 3 is a rear elevational view thereof;  
FIG. 4 is a left side elevational view thereof;  
FIG. 5 is a right side elevational view thereof;  
FIG. 6 is a top plan view thereof; and,  
FIG. 7 is a bottom plan view thereof.

**1 Claim, 6 Drawing Sheets**



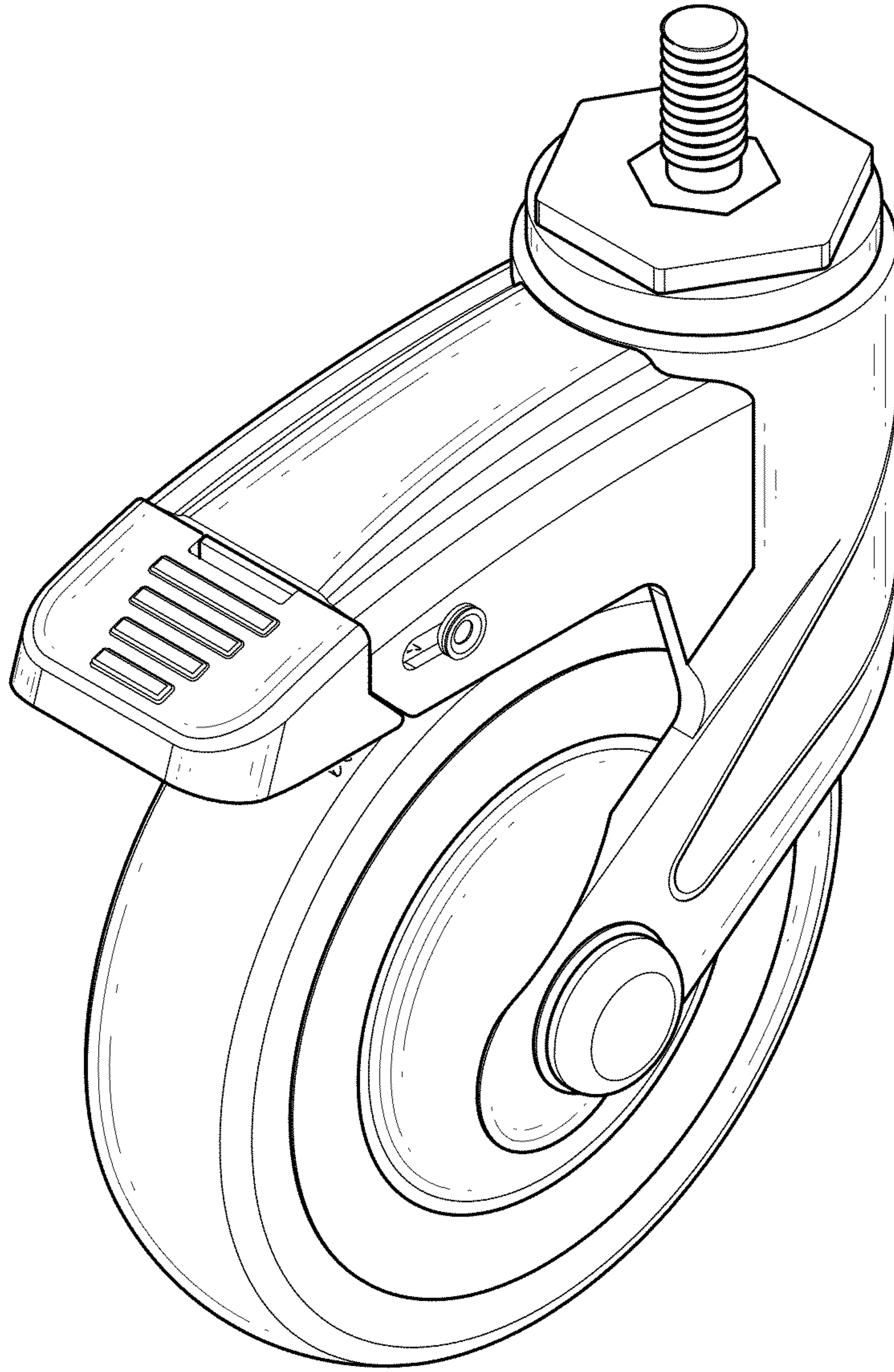


FIG. 1

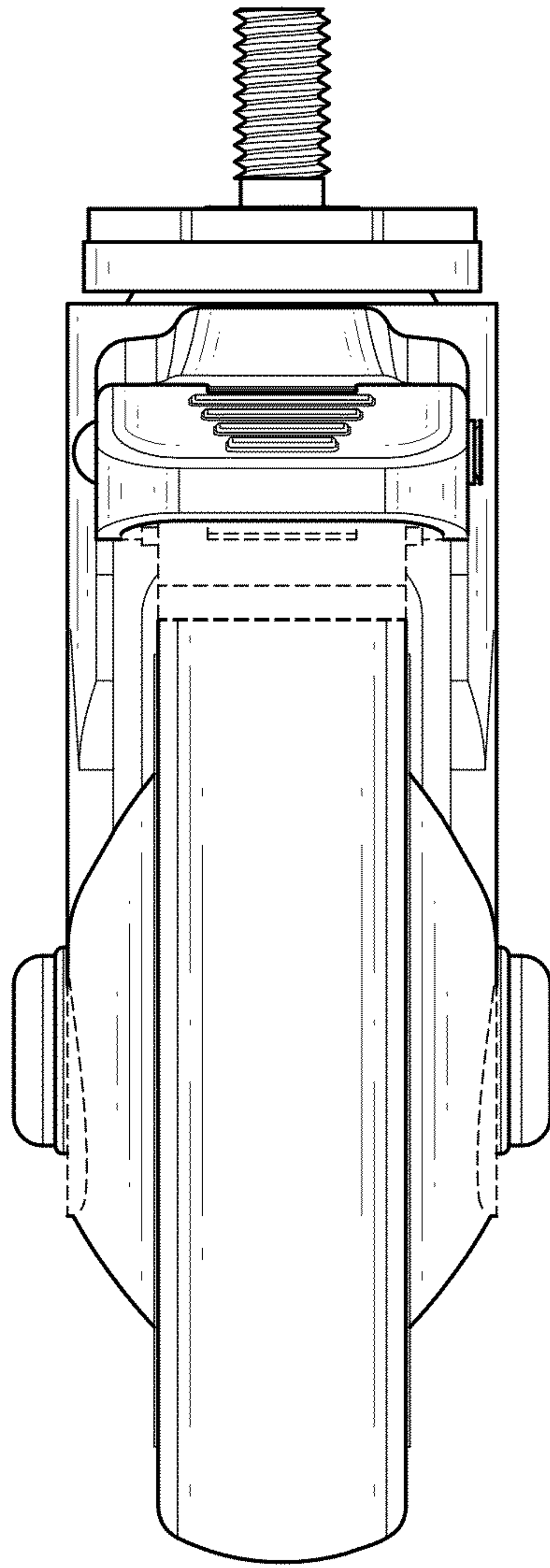


FIG. 2

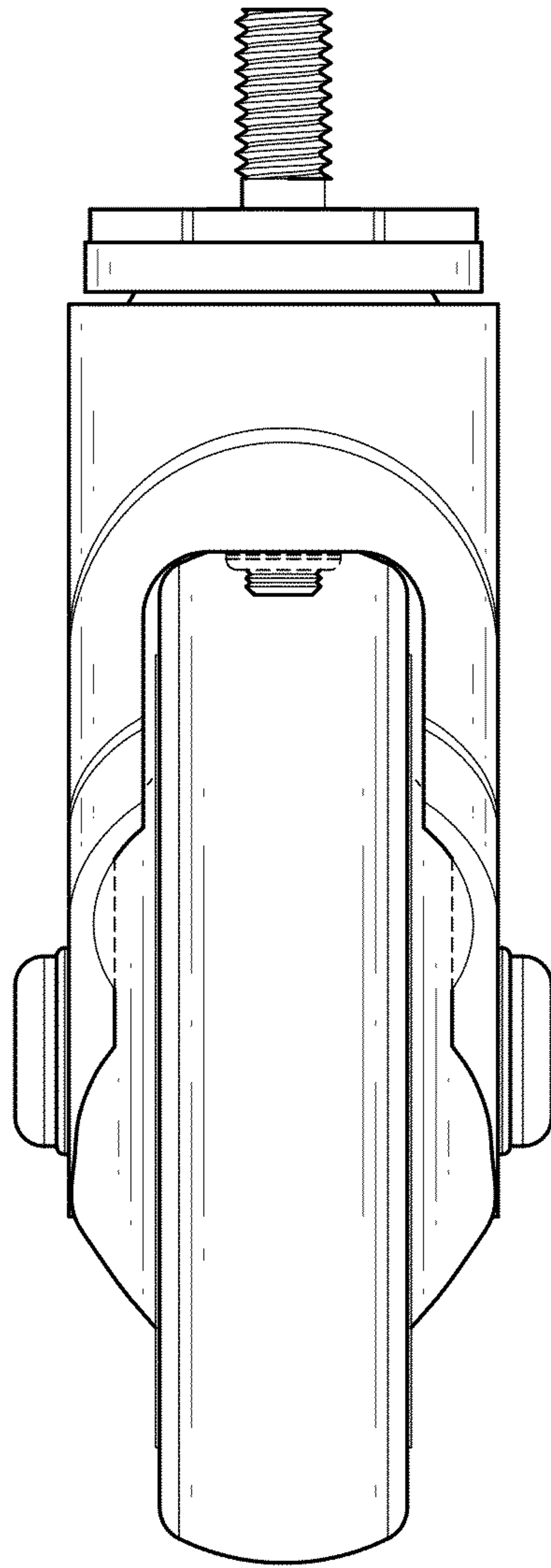


FIG. 3



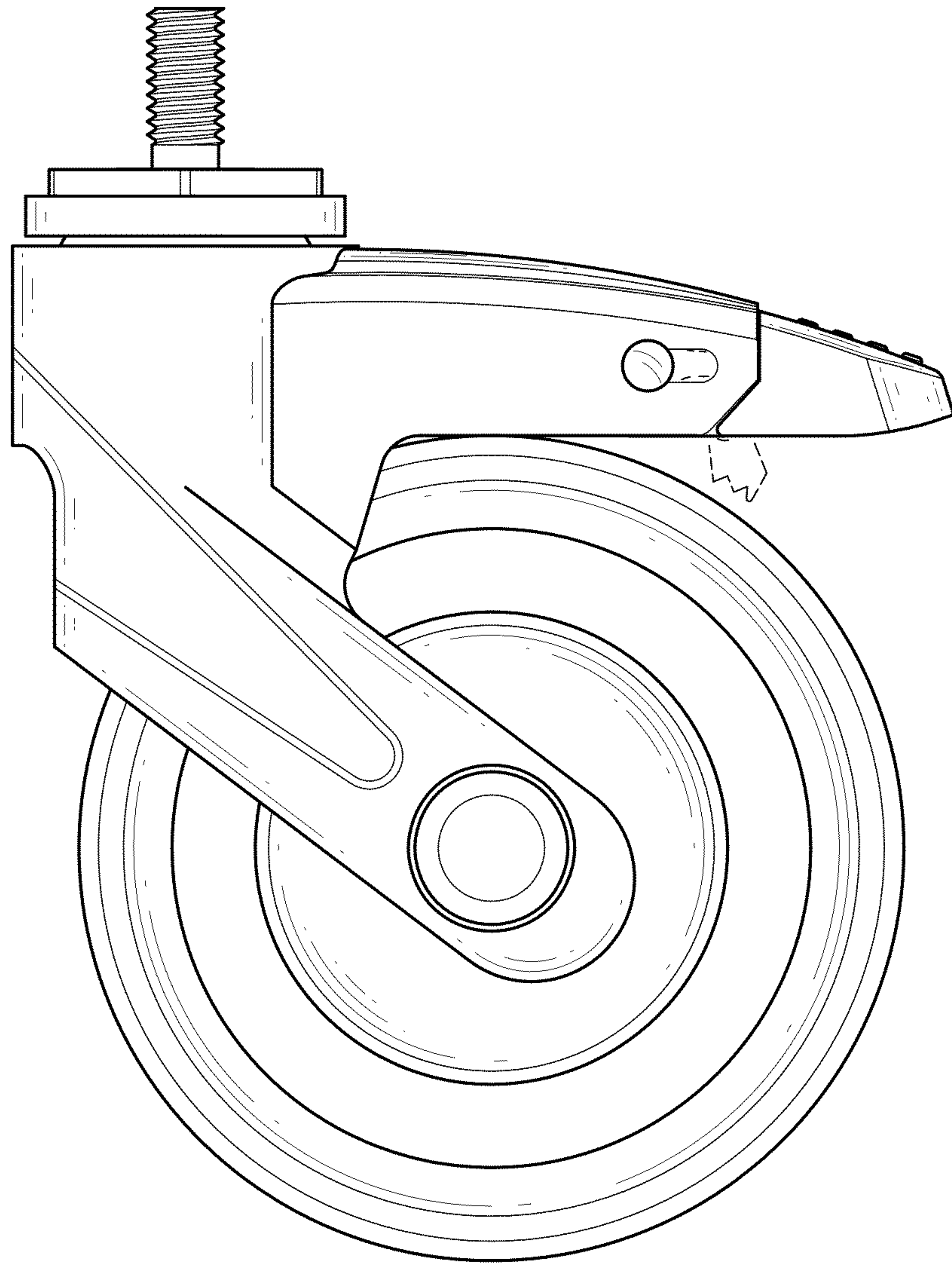


FIG. 4

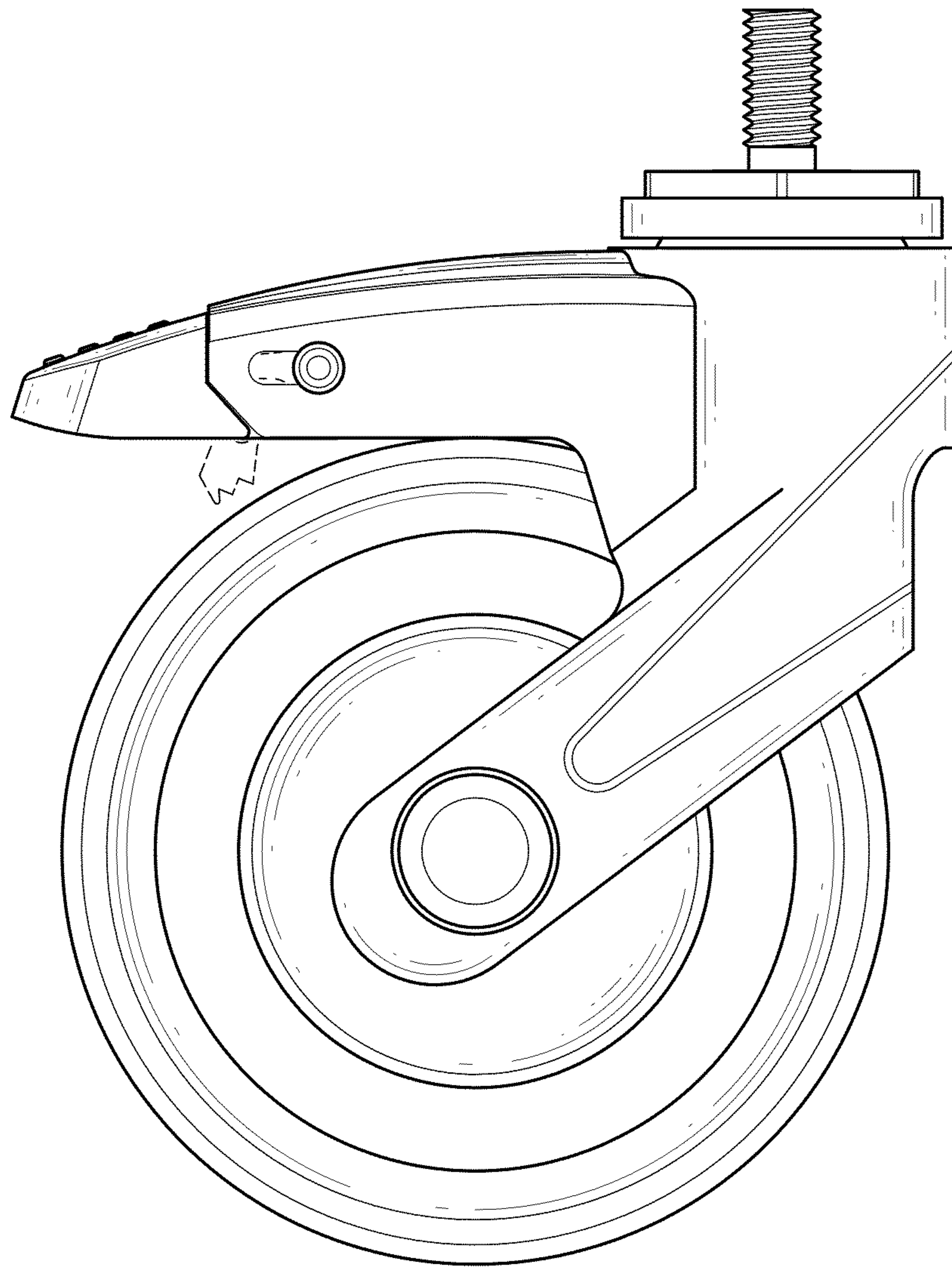


FIG. 5

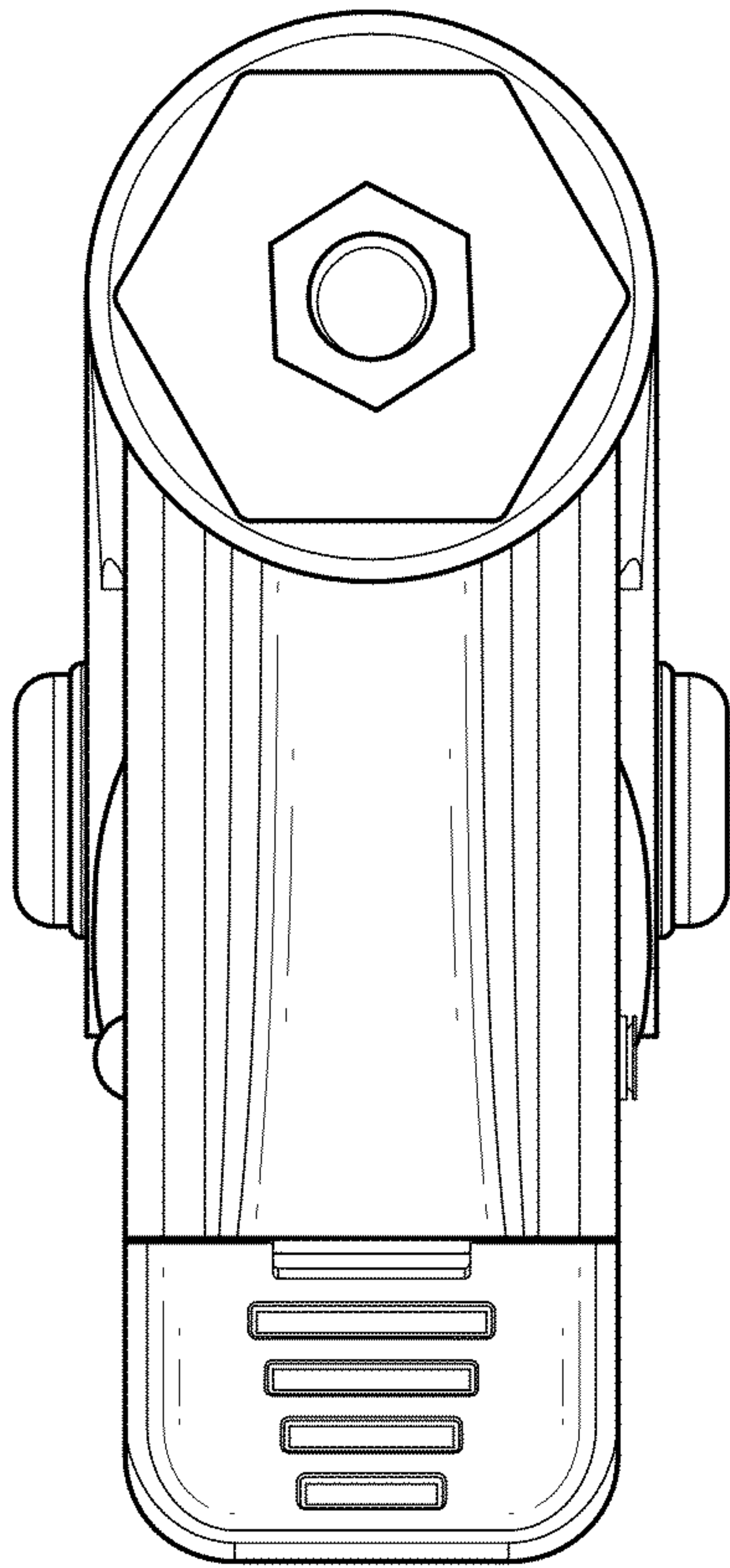


FIG. 6

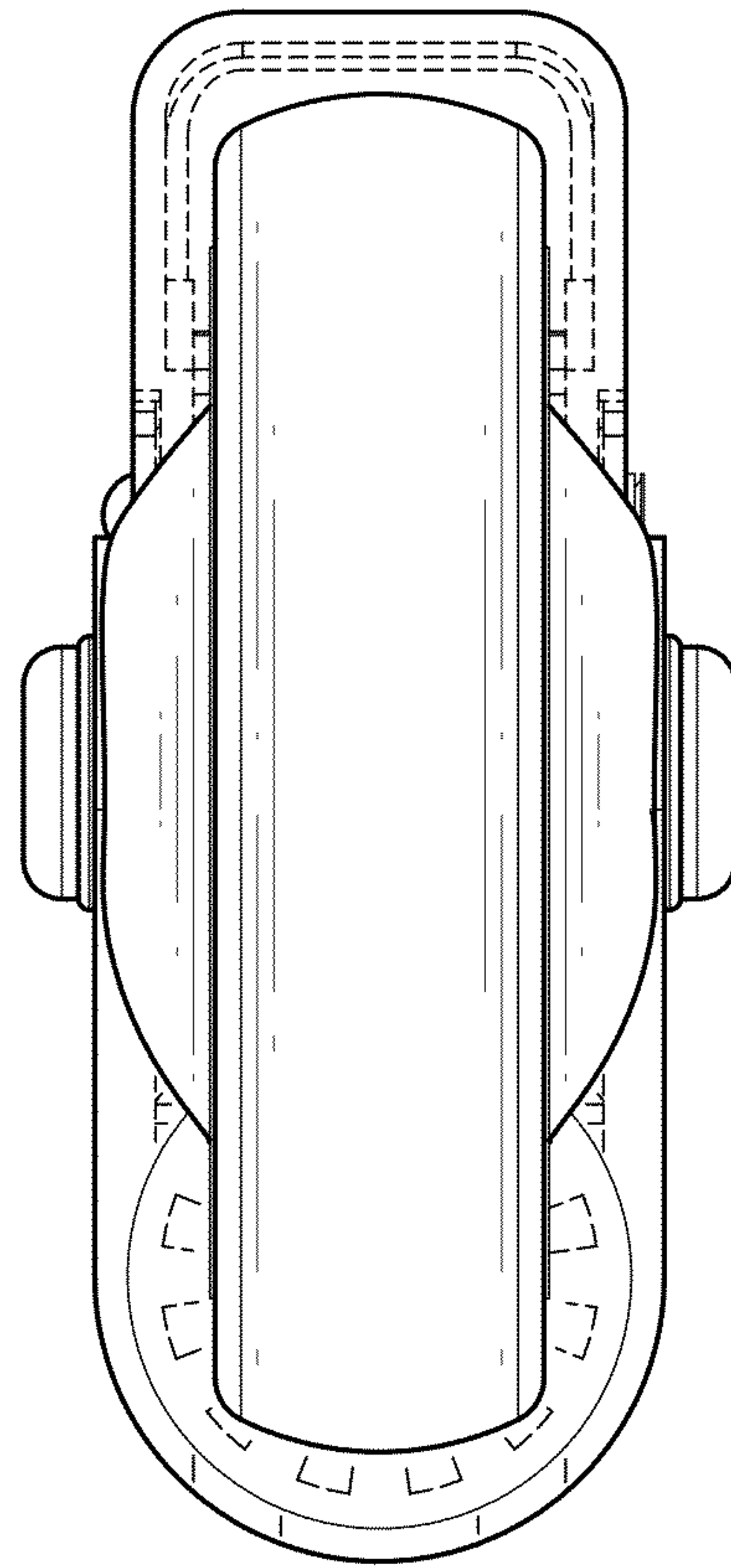


FIG. 7