



US00D736606S

(12) **United States Design Patent**
Underkofler et al.

(10) **Patent No.:** **US D736,606 S**

(45) **Date of Patent:** **** Aug. 18, 2015**

(54) **BRACKET FOR A TWO-PIECE YOKE FOR A SUSPENDED CEILING**

(71) Applicant: **USG Interiors, LLC**, Chicago, IL (US)

(72) Inventors: **Abraham M. Underkofler**, Waukegan, IL (US); **Peder J. Gulbrandsen**, Aurora, IL (US); **Mark R. Paulsen**, Beach Park, IL (US)

(73) Assignee: **USG INTERIORS, LLC**, Chicago, IL (US)

(**) Term: **14 Years**

(21) Appl. No.: **29/475,682**

(22) Filed: **Dec. 5, 2013**

(51) **LOC (10) Cl.** **08-05**

(52) **U.S. Cl.**
USPC **D8/373**

(58) **Field of Classification Search**

USPC D8/383, 374, 300, 303, 313, 314, 394, D8/396, 380, 373, 395, 363, 381, 44, 19, D8/352, 370, 308, 372, 376; D13/133; D19/1; D22/108; D26/87; D9/686, D9/687; D23/238; D6/300
CPC F16B 12/44; F16B 12/46; F16B 5/0614; F16B 12/02; E04B 1/2612; E04B 2001/2415; E04B 1/5818; E04B 1/5831; A47B 88/0055; E04F 11/1812

See application file for complete search history.

(56) **References Cited**

U.S. PATENT DOCUMENTS

| | | | | | | |
|--------------|----|---|---------|--------------------|-------|---------|
| D248,013 | S | * | 5/1978 | Win | | D8/373 |
| D275,264 | S | * | 8/1984 | Wegener, II | | D8/373 |
| D297,111 | S | * | 8/1988 | Thompson et al. | | D8/373 |
| D319,778 | S | * | 9/1991 | Ziaylek, Jr. | | D8/373 |
| D398,219 | S | * | 9/1998 | Campman | | D8/363 |
| D570,199 | S | * | 6/2008 | Bremmon | | D8/363 |
| D585,667 | S | * | 2/2009 | Levy et al. | | D6/467 |
| D626,822 | S | * | 11/2010 | Simard et al. | | D8/381 |
| D653,528 | S | * | 2/2012 | Choi et al. | | D8/381 |
| 2005/0263671 | A1 | * | 12/2005 | Lo | | 248/917 |
| 2010/0139190 | A1 | | 6/2010 | Lehane et al. | | |
| 2013/0318905 | A1 | | 12/2013 | Underkofler et al. | | |

* cited by examiner

Primary Examiner — Robert M Spear

Assistant Examiner — Eliza Bennett-Hattan

(74) *Attorney, Agent, or Firm* — Pearne & Gordon LLP

(57) **CLAIM**

The ornamental design for an bracket for a two-piece yoke for a suspended ceiling, as shown and described.

DESCRIPTION

FIG. 1 is an isometric view of an bracket for a two-piece yoke for a suspended ceiling showing our new design, the broken line image showing the manner by which the el forms a yoke with an identical el;

FIG. 2 is a front view thereof;

FIG. 3 is a top view thereof;

FIG. 4 is a right side view thereof;

FIG. 5 is a rear view thereof;

FIG. 6 is a left side view thereof; and,

FIG. 7 is a bottom view thereof.

The broken lines in the drawing depict environmental subject matter only and form no part of the claimed design.

1 Claim, 3 Drawing Sheets

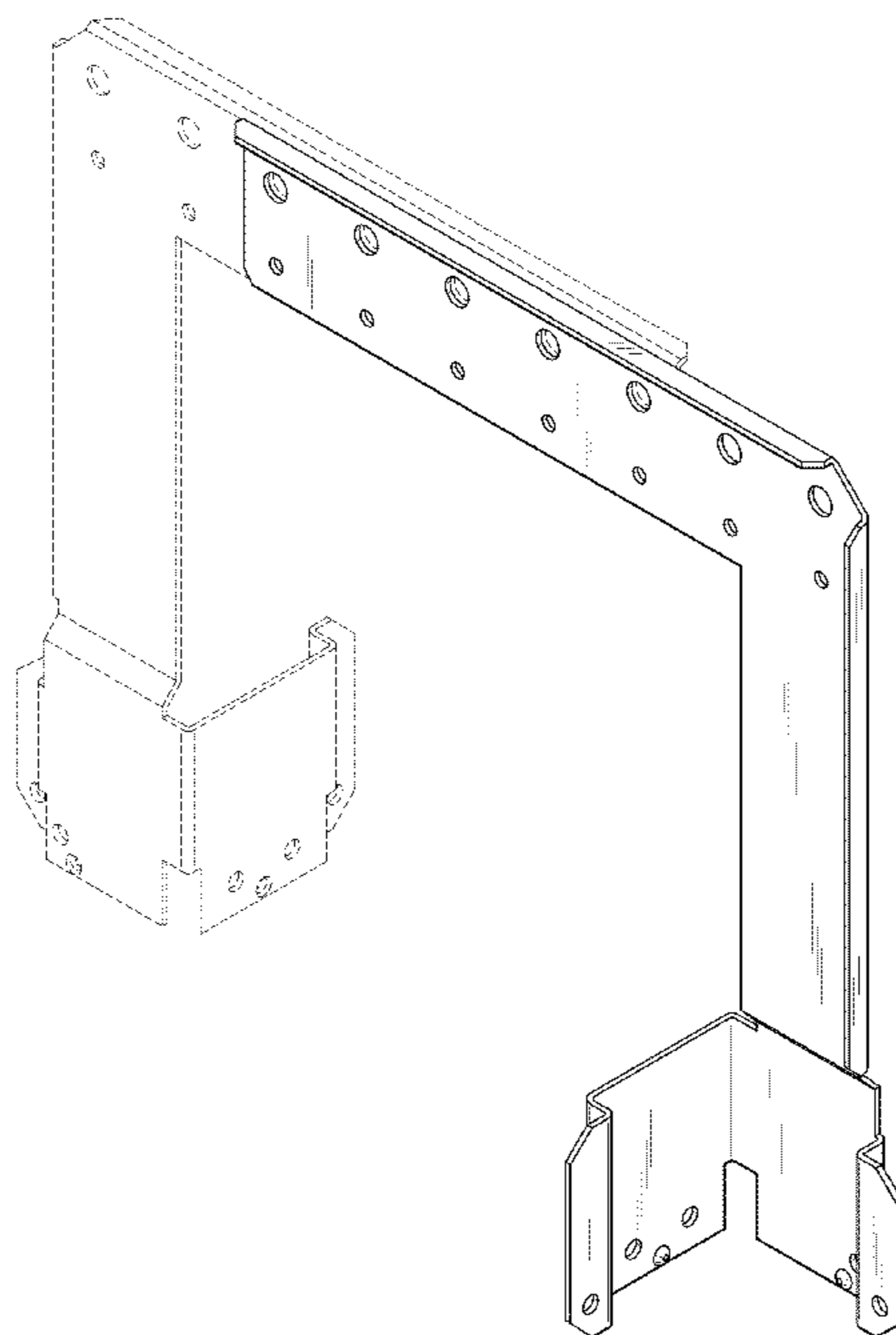
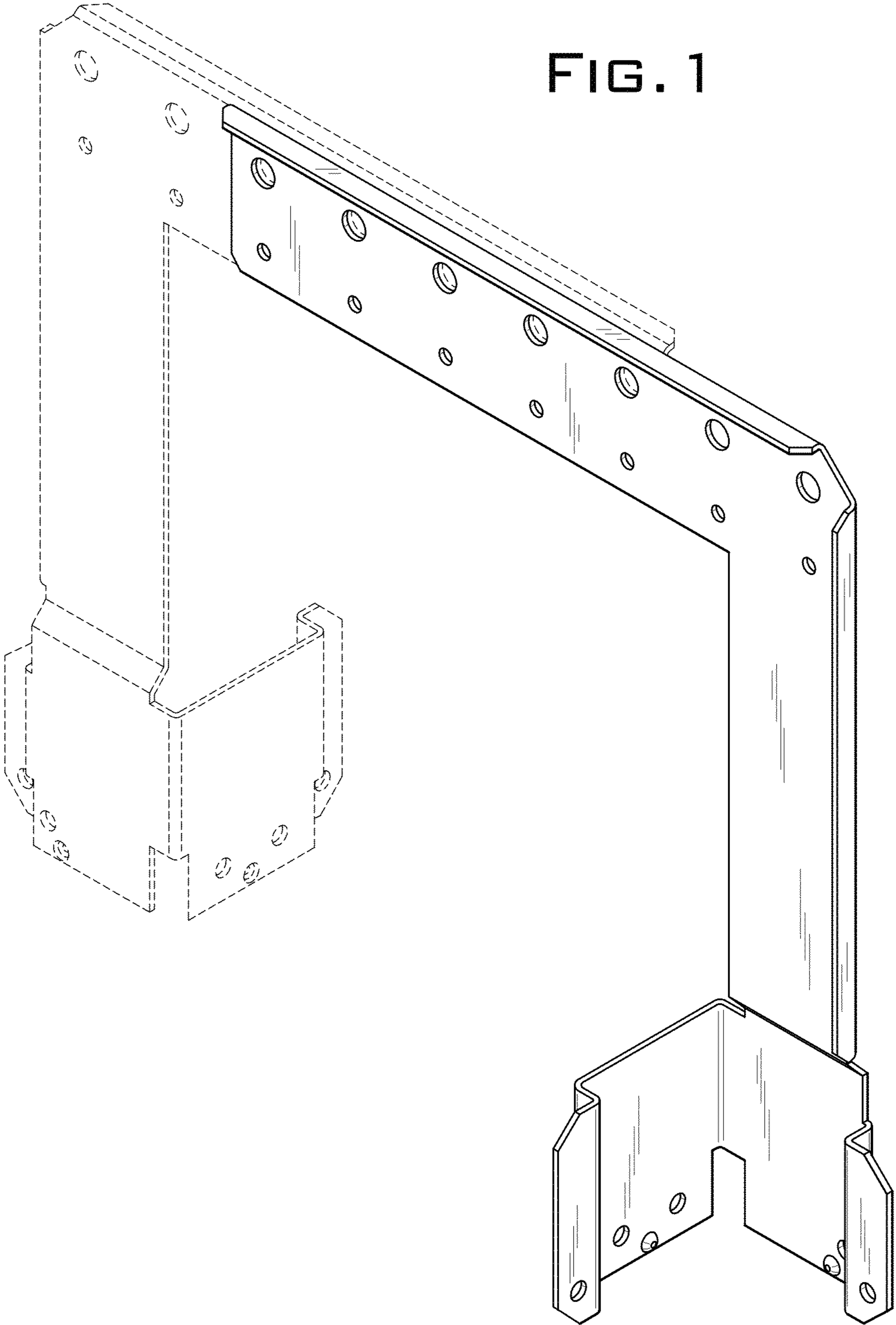


FIG. 1



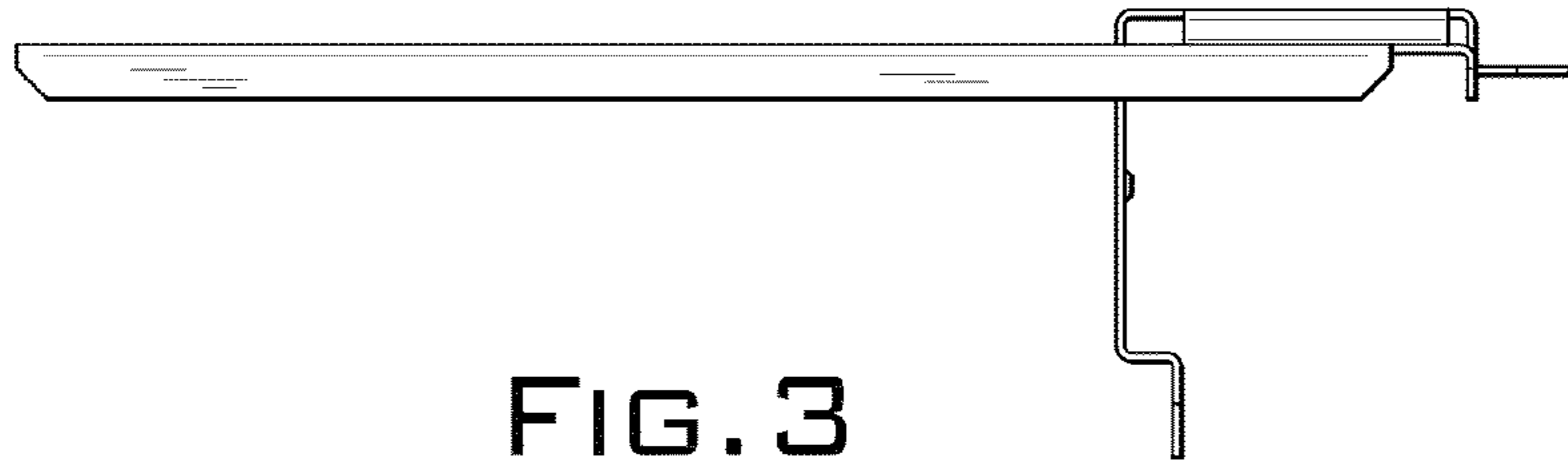


FIG. 3

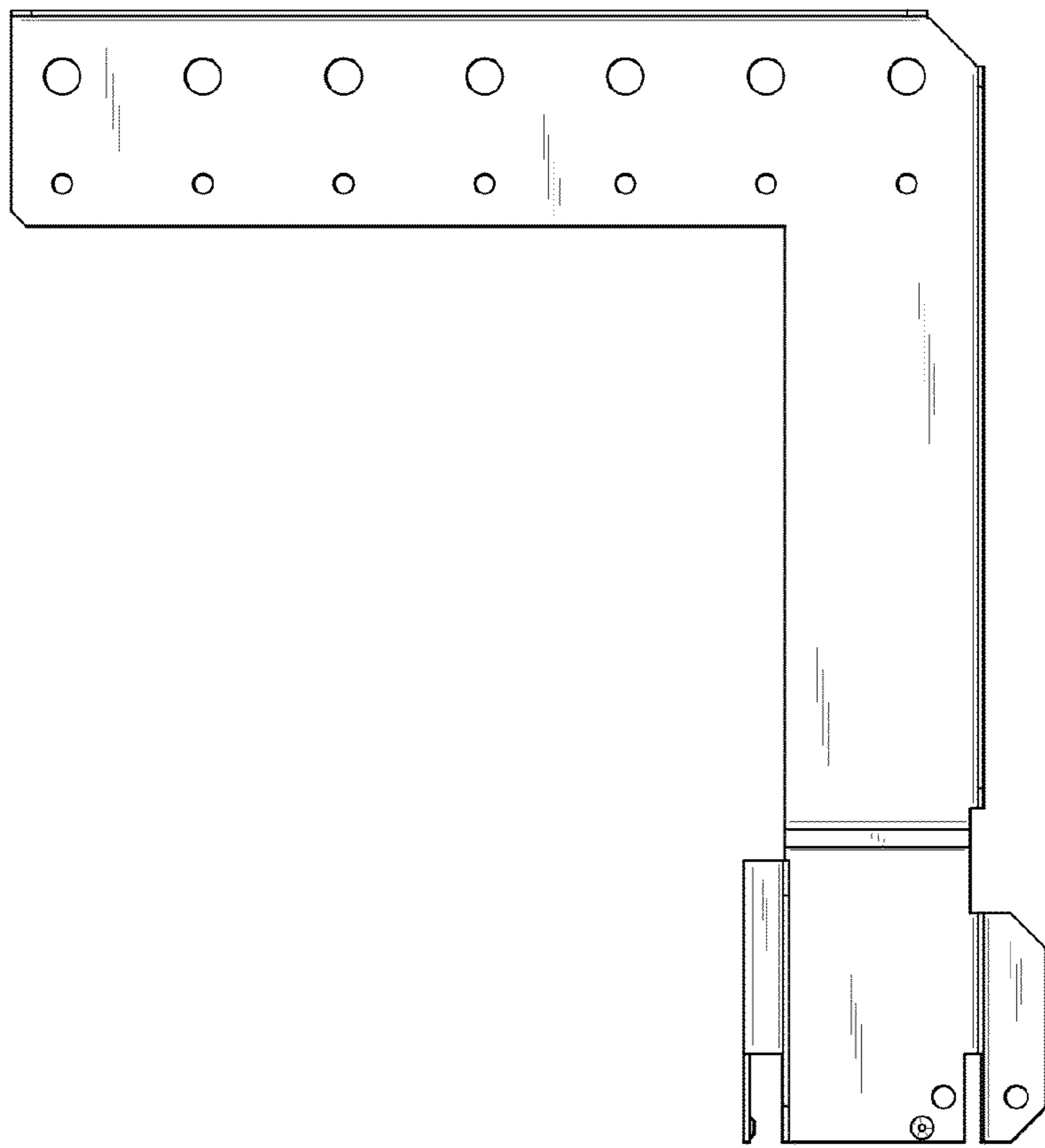


FIG. 2

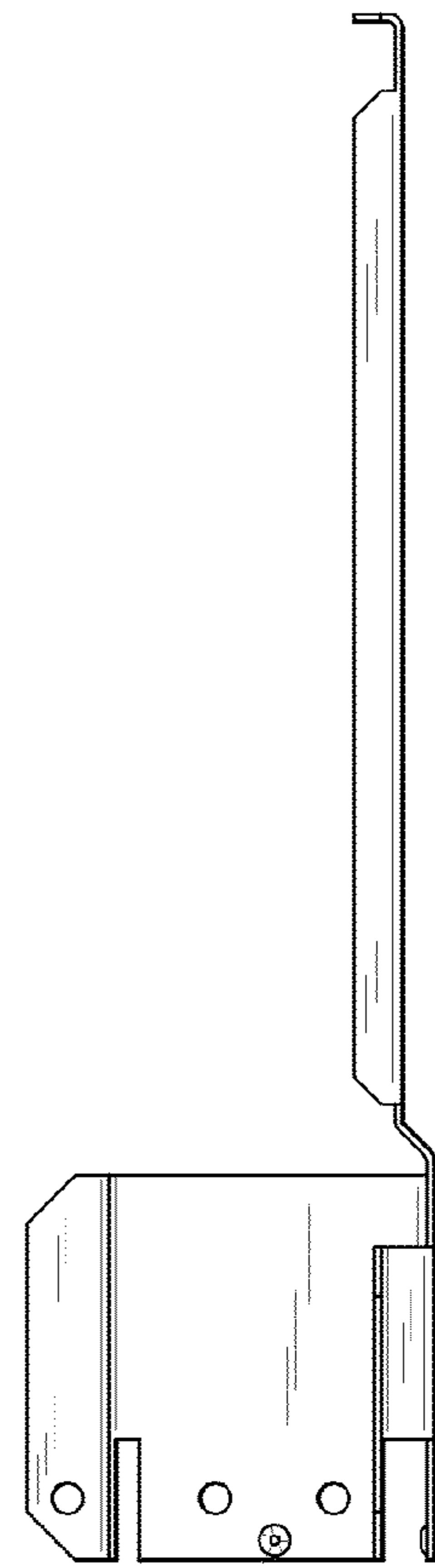


FIG. 4

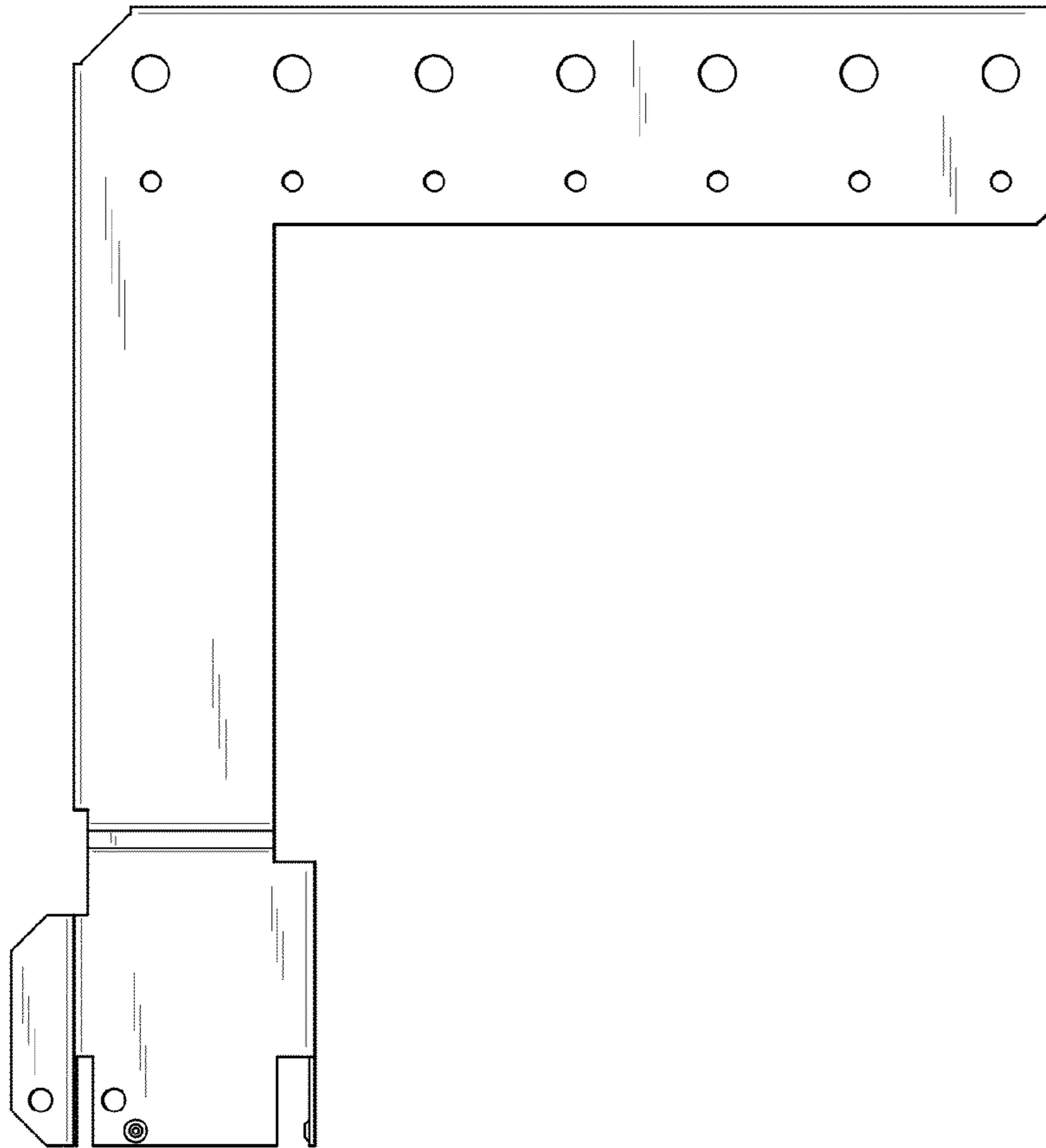


FIG. 5

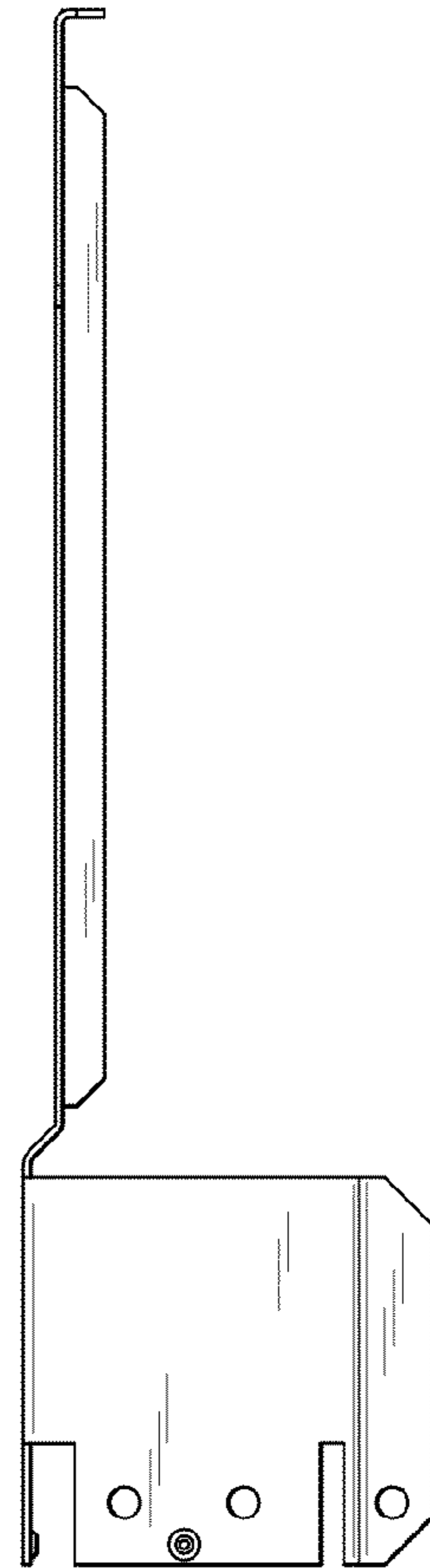


FIG. 6



FIG. 7