



US00D736604S

(12) **United States Design Patent**  
**Fischer**

(10) **Patent No.:** **US D736,604 S**

(45) **Date of Patent:** **\*\* Aug. 18, 2015**

(54) **PIPE WITH CARABINER AND BOTTLE OPENER**

(71) Applicant: **Brett William Fischer**, Lee's Summit, MO (US)

(72) Inventor: **Brett William Fischer**, Lee's Summit, MO (US)

(\*\*) Term: **14 Years**

(21) Appl. No.: **29/507,299**

(22) Filed: **Oct. 26, 2014**

(51) **LOC (10) Cl.** ..... **08-05**

(52) **U.S. Cl.**  
USPC ..... **D8/356**

(58) **Field of Classification Search**

USPC ..... D8/367, 356, 371, 373, 354, 355, 349;  
D6/323; D3/24; 248/215, 301, 339,  
248/349.1; 160/349.2; 24/265 H, 265 R,  
24/599.1, 599.8, 113 R, 573.5; 294/82.18;  
29/525.1, 45.3; 223/106; D14/432,  
D14/140, 217

CPC ..... A45F 3/00; A63B 27/00  
See application file for complete search history.

(56) **References Cited**

**U.S. PATENT DOCUMENTS**

4,095,316 A \* 6/1978 Gabriel ..... 24/599.1  
D375,252 S \* 11/1996 Serra Fabregas ..... D8/356

D527,988 S *	9/2006	Shetler .....	D8/356
D565,392 S *	4/2008	Shetler .....	D8/356
D622,132 S *	8/2010	DeMars et al. ....	D8/356
D631,331 S *	1/2011	Kelleghan .....	D8/356
D655,999 S *	3/2012	Kelleghan .....	D8/356
D668,528 S *	10/2012	Chung .....	D8/356
D684,452 S *	6/2013	Petzl .....	D8/356
D708,046 S *	7/2014	Petzl .....	D8/356
2008/0209700 A1 *	9/2008	Goldberg .....	24/599.6

\* cited by examiner

*Primary Examiner* — Cynthia Underwood

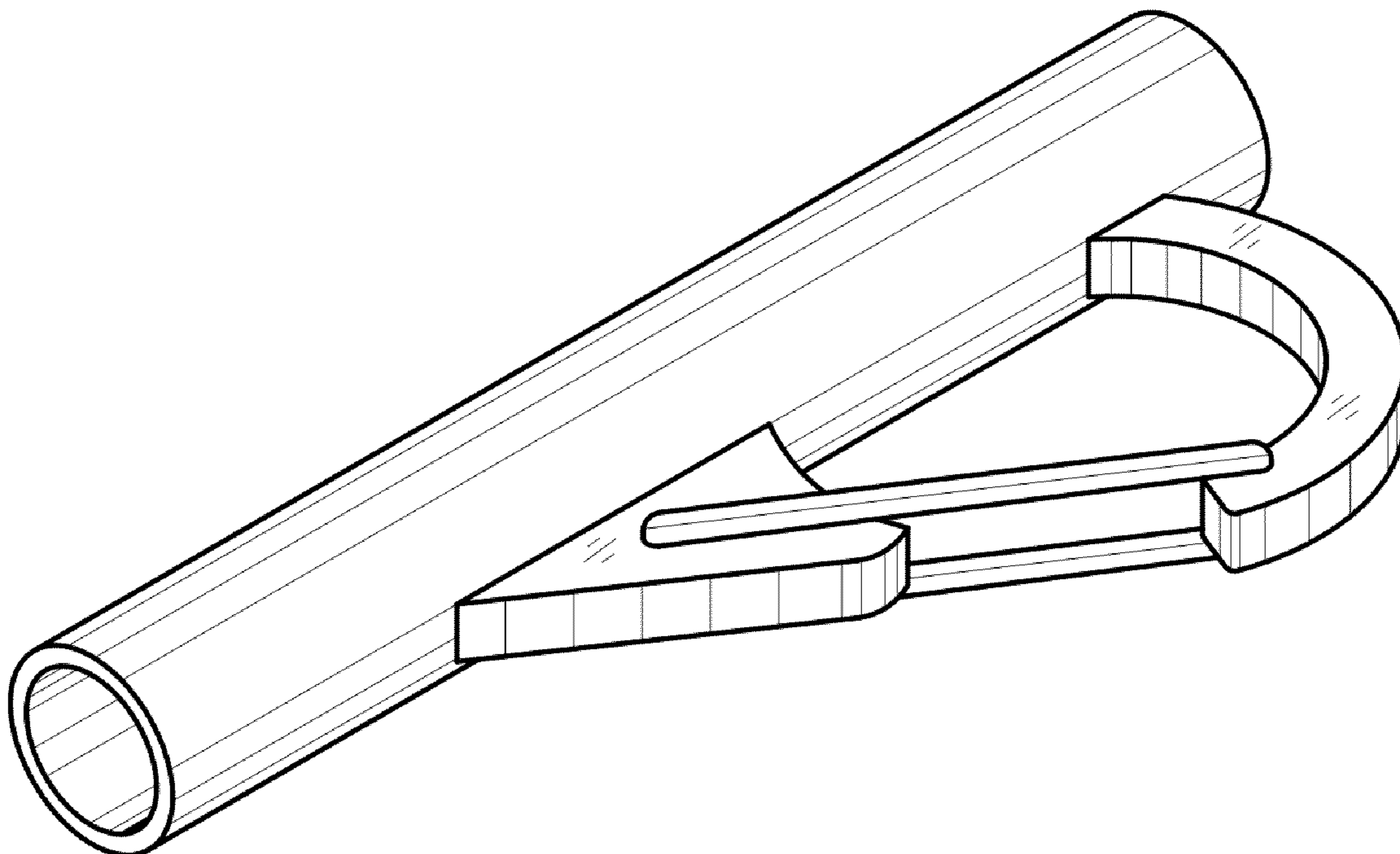
(57) **CLAIM**

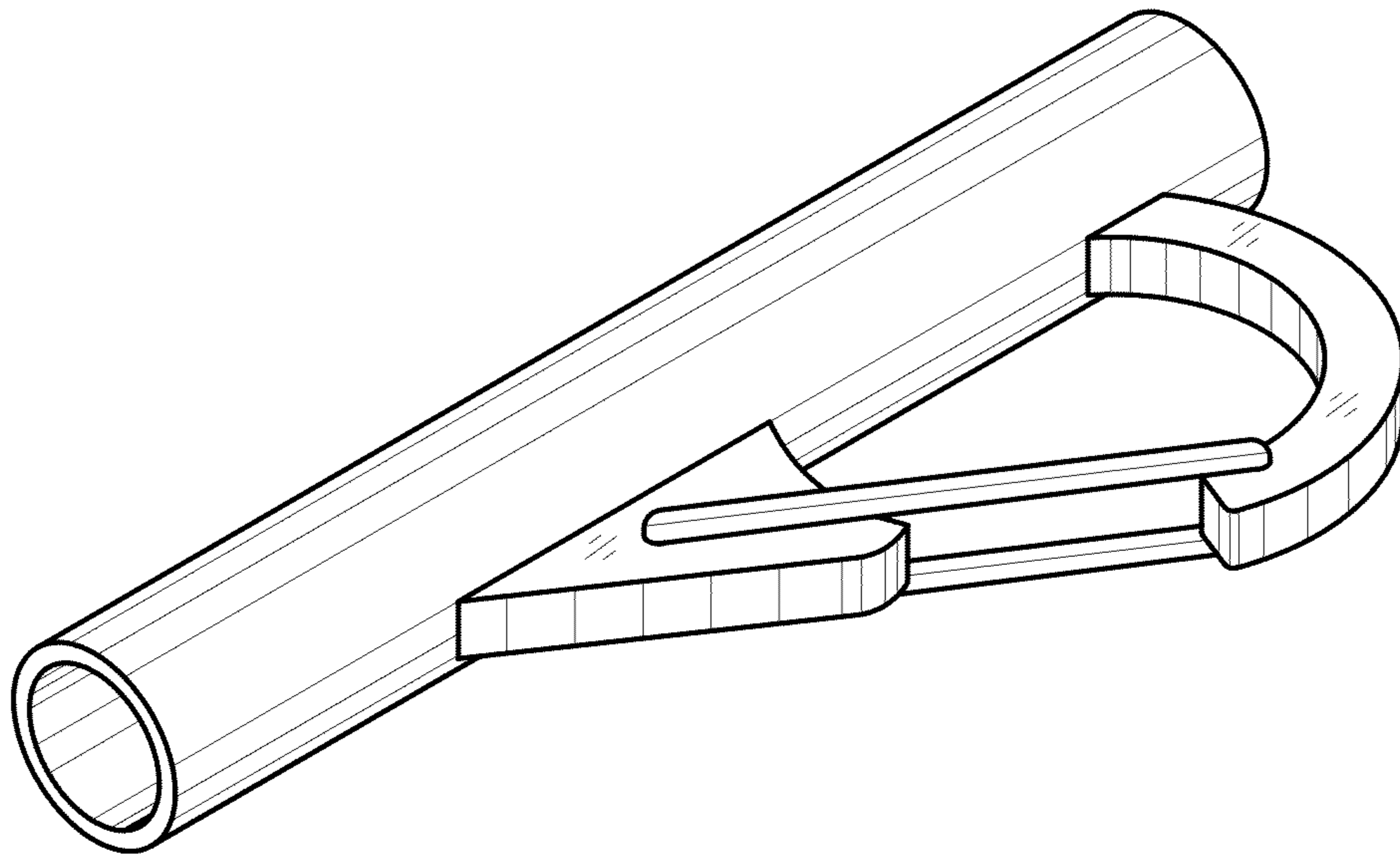
The ornamental design for a new pipe with a carabiner and bottle opener.

**DESCRIPTION**

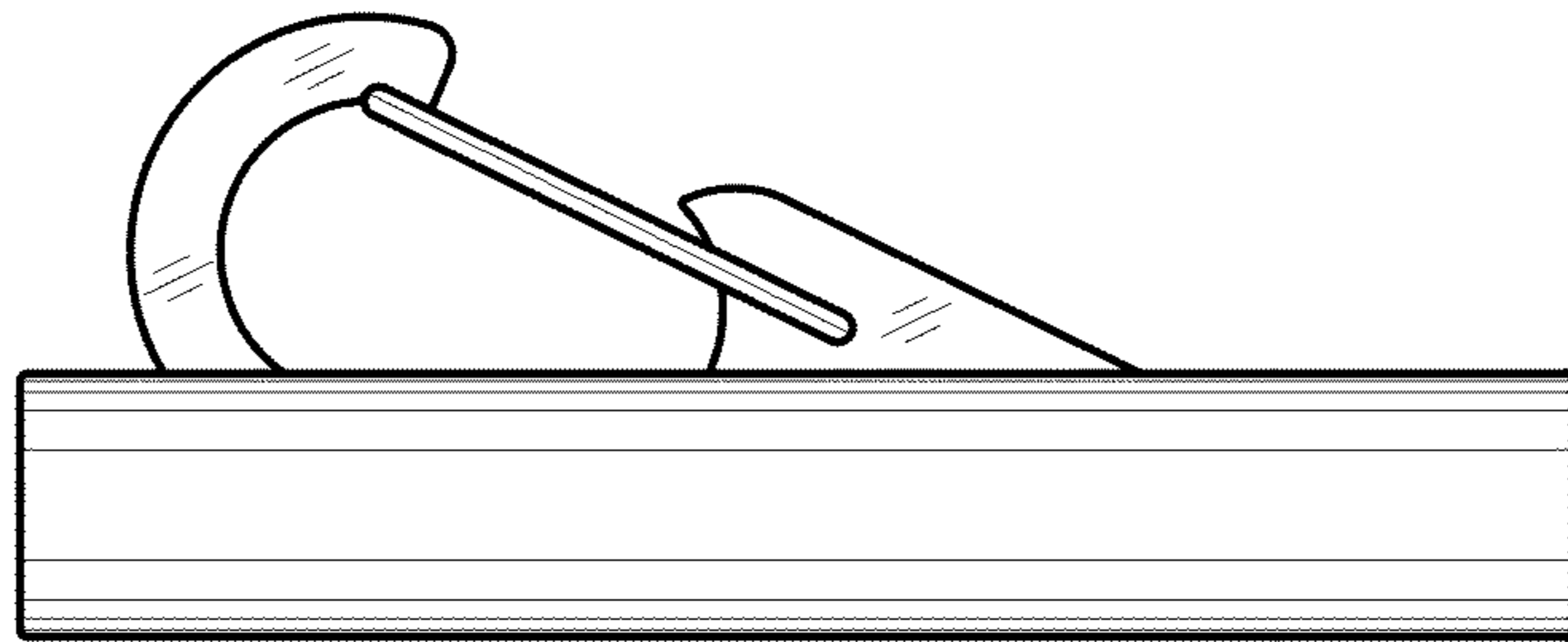
FIG. 1 is a top perspective view of a pipe with a carabiner and bottle opener;  
FIG. 2 is a front elevation view thereof showing the pipe;  
FIG. 3 is a back elevation view thereof showing the pipe;  
FIG. 4 is a left elevation view thereof;  
FIG. 5 is a right elevation view thereof;  
FIG. 6 is a top plan view thereof;  
FIG. 7 is a bottom plan view thereof; and,  
FIG. 8 is an environmental view of the pipe with carabiner opening a bottle cap.  
The broken lines showing a bottle and bottle cap form no part of the claimed design.

**1 Claim, 3 Drawing Sheets**

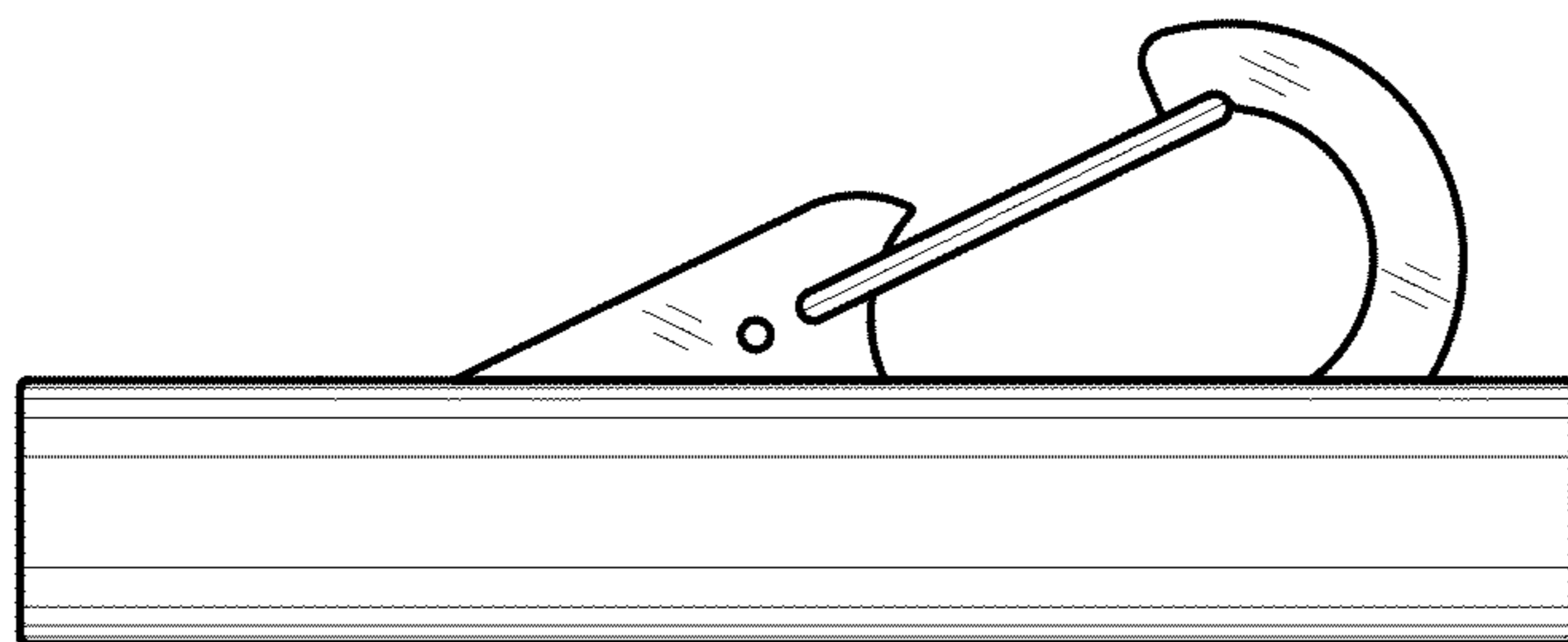




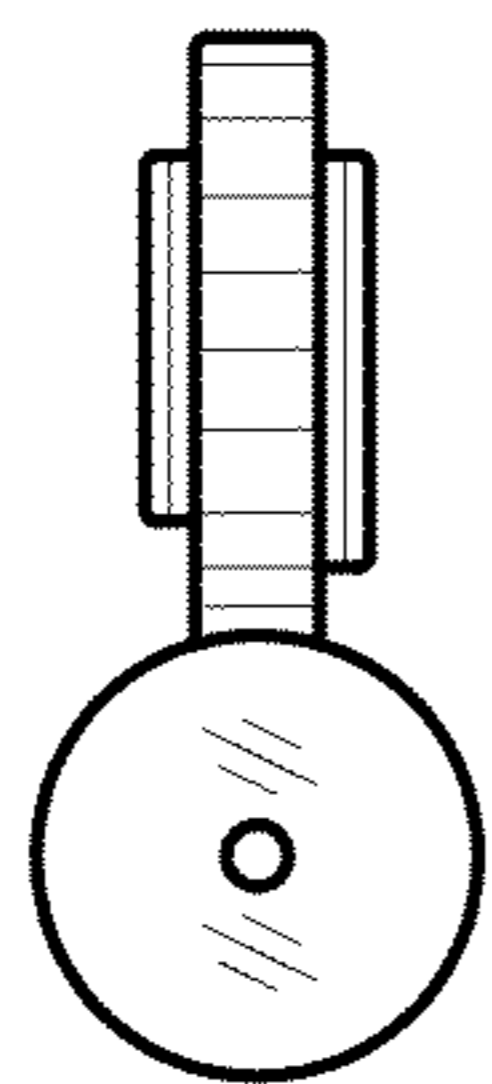
*Fig. 1*



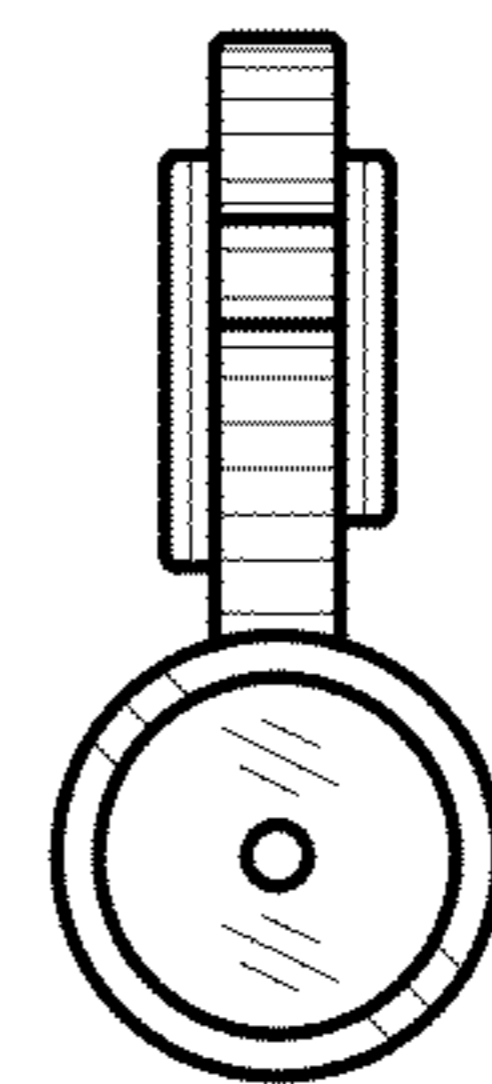
*Fig. 2*



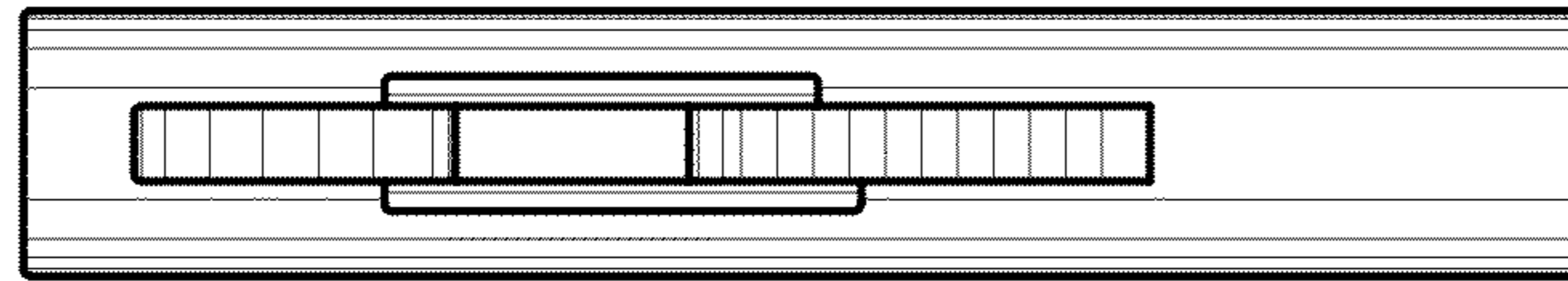
*Fig. 3*



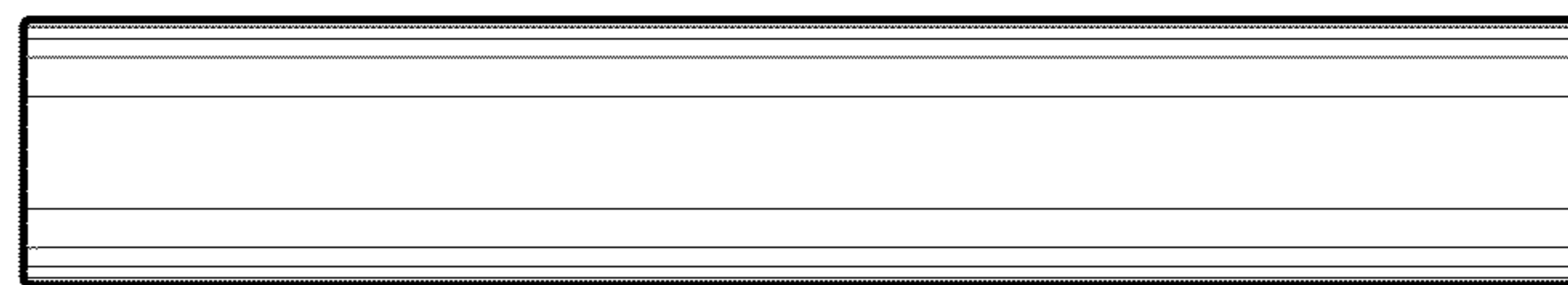
*Fig. 4*



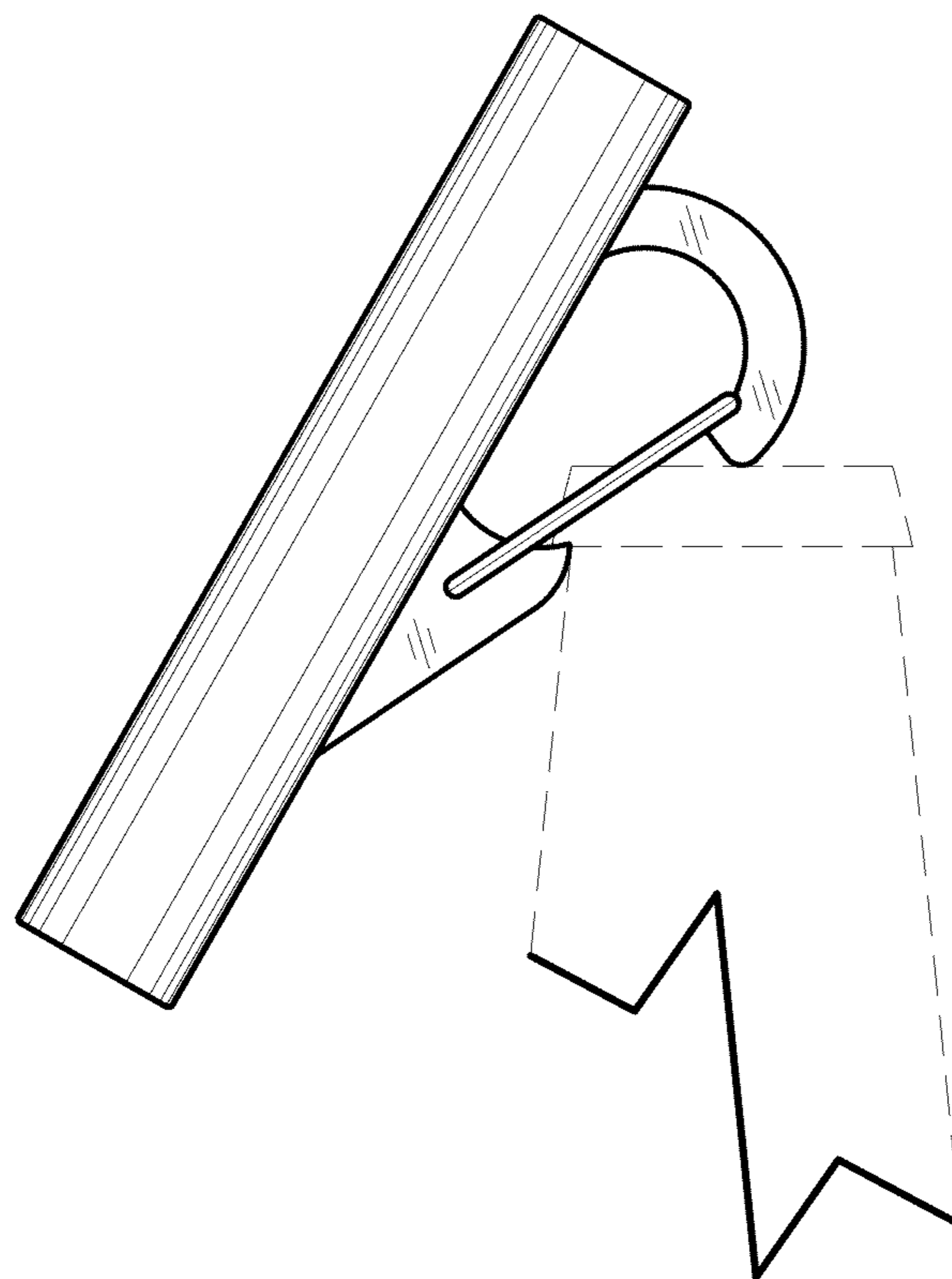
*Fig. 5*



*Fig. 6*



*Fig. 7*



*Fig. 8*