



US00D736601S

(12) **United States Design Patent**
Cox et al.

(10) **Patent No.:** **US D736,601 S**

(45) **Date of Patent:** **** Aug. 18, 2015**

(54) **HOSE SUPPORT DEVICE**

(71) Applicants: **James R. Cox**, Schulenburg, TX (US);
Beverly L. Cox, Schulenburg, TX (US)

(72) Inventors: **James R. Cox**, Schulenburg, TX (US);
Beverly L. Cox, Schulenburg, TX (US)

(**) Term: **14 Years**

(21) Appl. No.: **29/473,170**

(22) Filed: **Nov. 19, 2013**

(51) **LOC (10) Cl.** **08-05**

(52) **U.S. Cl.**
USPC **D8/356**

(58) **Field of Classification Search**
USPC D8/349, 356, 358, 359, 499, 354, 355,
D8/373, 360, 361, 362, 366, 367, 380;
248/65, 80, 83, 89, 127, 163.1, 440.1,
248/176.1, 694; D23/200, 270, 303, 499;
138/103, 106, 177

See application file for complete search history.

(56) **References Cited**

U.S. PATENT DOCUMENTS

2,471,682	A *	5/1949	Grob	256/48
2,846,168	A *	8/1958	Schroeter	248/49
3,216,678	A *	11/1965	Foedisch	248/694
3,819,137	A *	6/1974	Smith	248/49
4,082,242	A	4/1978	Smith		
4,169,571	A *	10/1979	Duggan	248/49
4,228,978	A	10/1980	Rand		
4,905,939	A	3/1990	Horn		
D308,479	S *	6/1990	Cassity	D8/380
5,431,455	A	7/1995	Seely		

5,785,457	A *	7/1998	Thompson et al.	405/172
D415,409	S *	10/1999	Pyeвач, Sr.	D8/380
6,332,595	B1 *	12/2001	Klucznik	248/87
6,619,596	B1	9/2003	Caine et al.		
6,786,462	B1	9/2004	Bland		
7,344,339	B1 *	3/2008	Reinhardt et al.	405/184.4
7,425,028	B1	9/2008	Angel et al.		
7,621,486	B1 *	11/2009	Barrepski	248/65
7,926,768	B2 *	4/2011	Prest	248/80
D669,761	S *	10/2012	Angel	D8/356

* cited by examiner

Primary Examiner — Sheryl Lane

Assistant Examiner — Ieisha Price

(74) *Attorney, Agent, or Firm* — Richard L. Miller

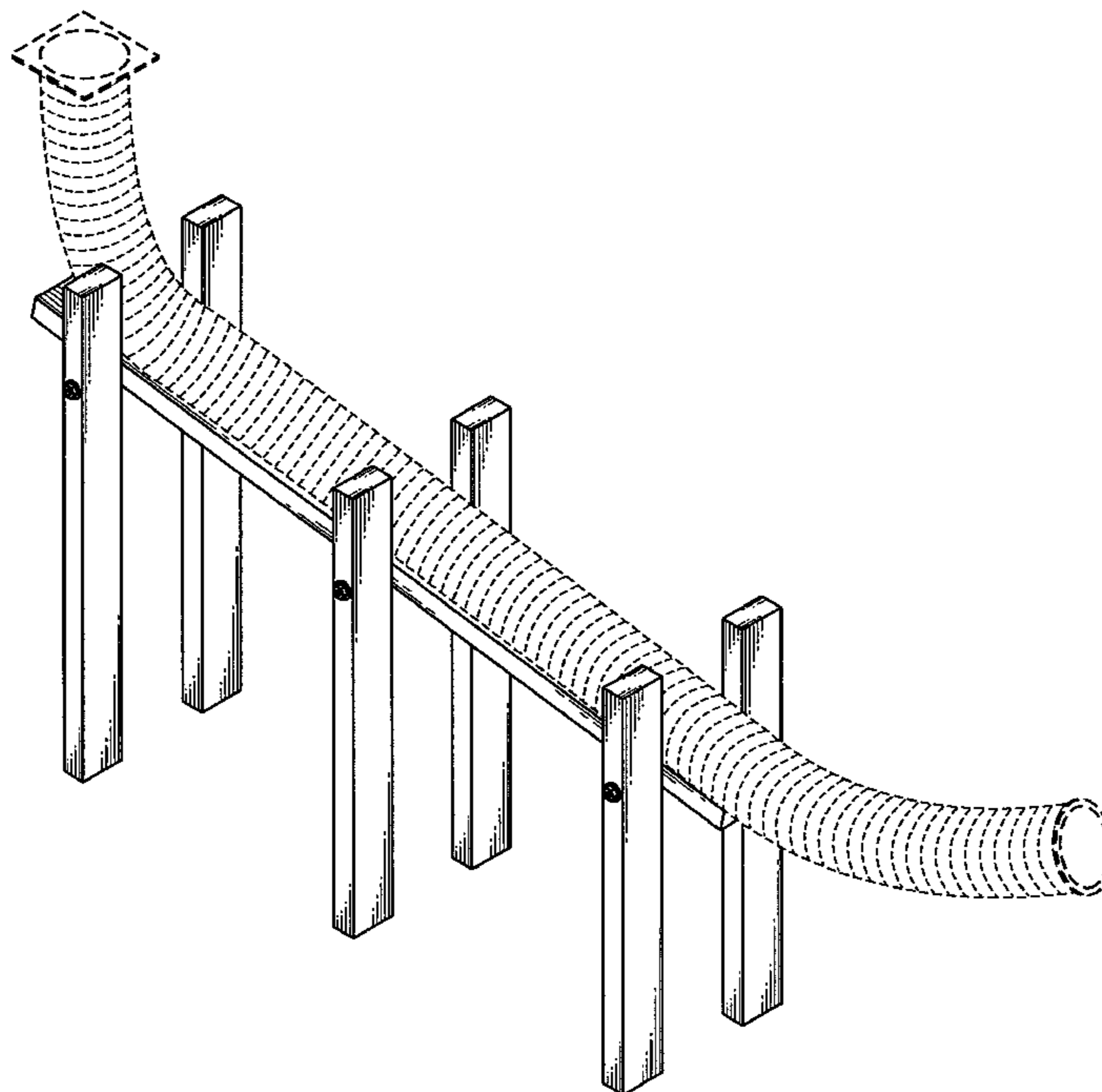
(57) **CLAIM**

The ornamental design for a hose support device, as shown and described.

DESCRIPTION

FIG. 1 is a top, front, perspective view of the hose support device showing our new design;
FIG. 2 is a right side elevational view thereof;
FIG. 3 is a front elevational view thereof;
FIG. 4 is a left side elevational view thereof;
FIG. 5 is a rear elevational view thereof;
FIG. 6 is a top plan view thereof;
FIG. 7 is a bottom plan view thereof; and,
FIG. 8 is a top, front, perspective view of a hose support device, supporting an RV hose resting thereon.
The broken lines showing of the hose in FIG. 8 illustrates the environment of the claimed design and forms no part thereof.

1 Claim, 4 Drawing Sheets



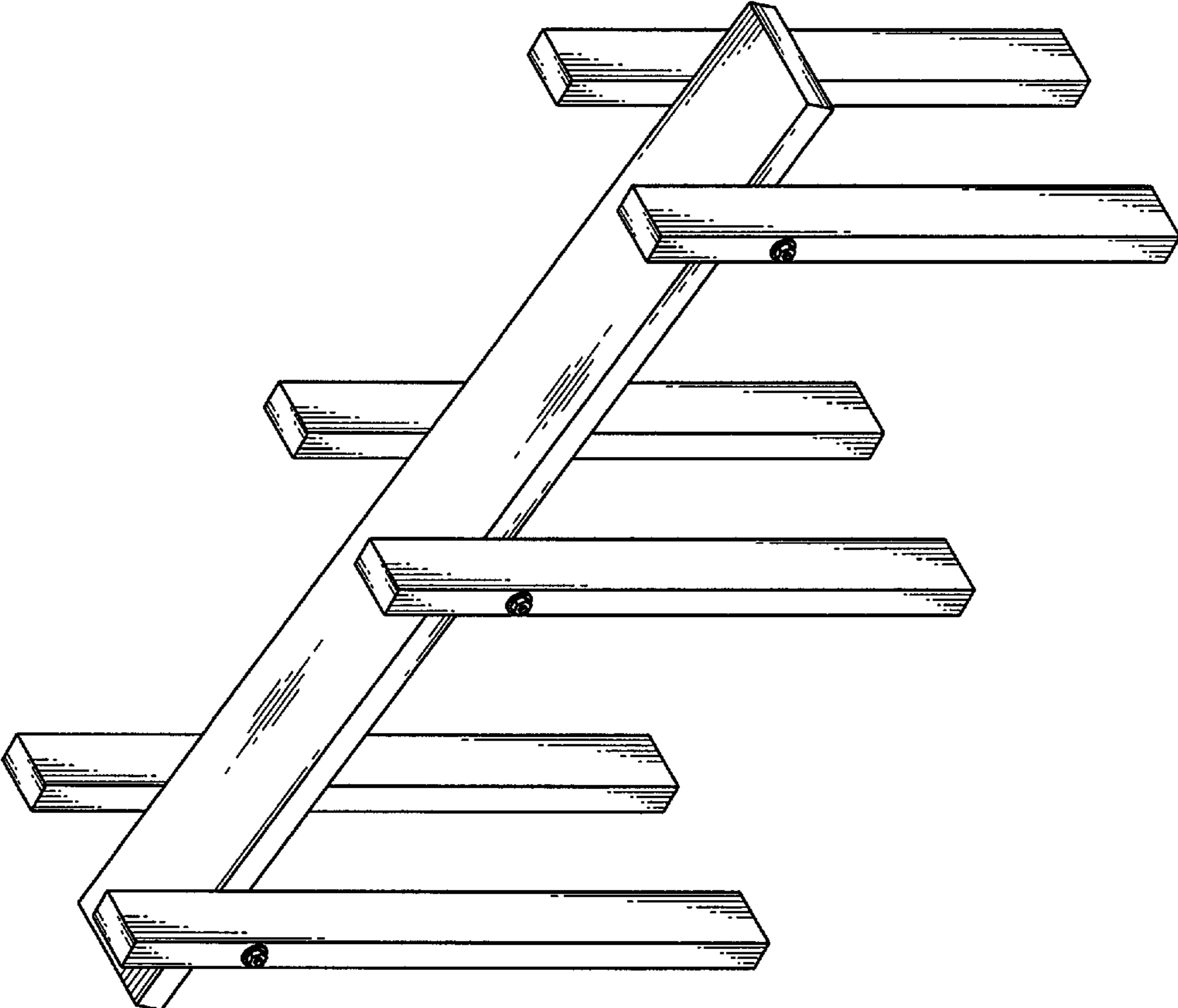


FIG. 1

FIG. 2

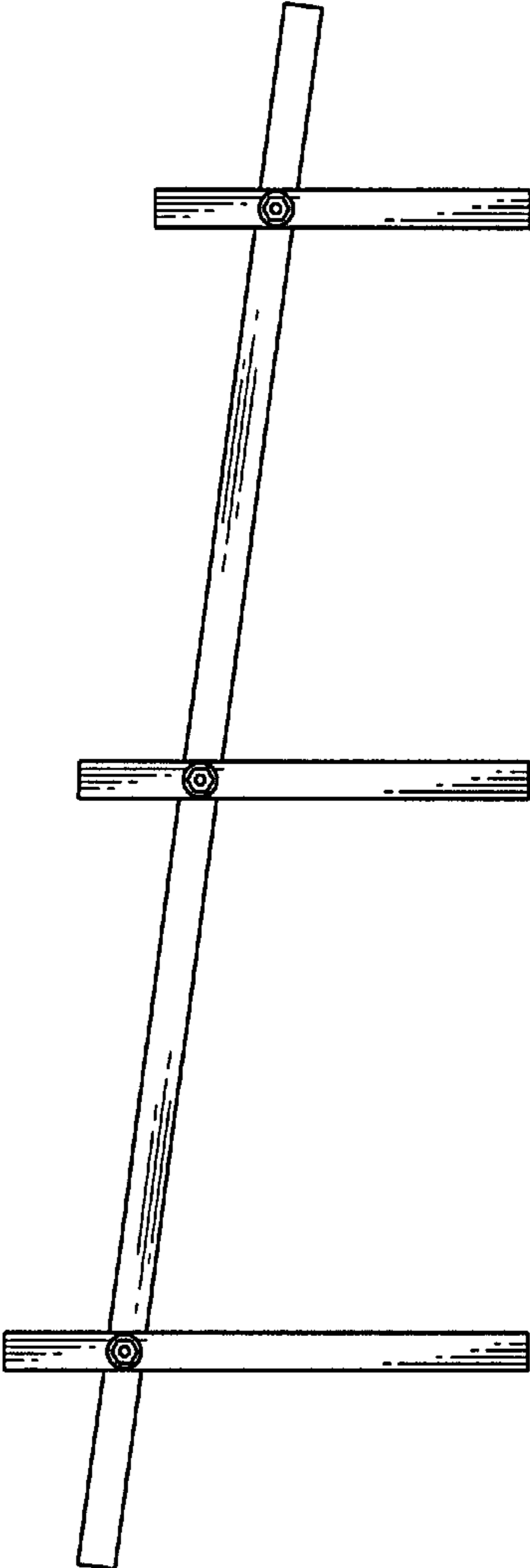


FIG. 4

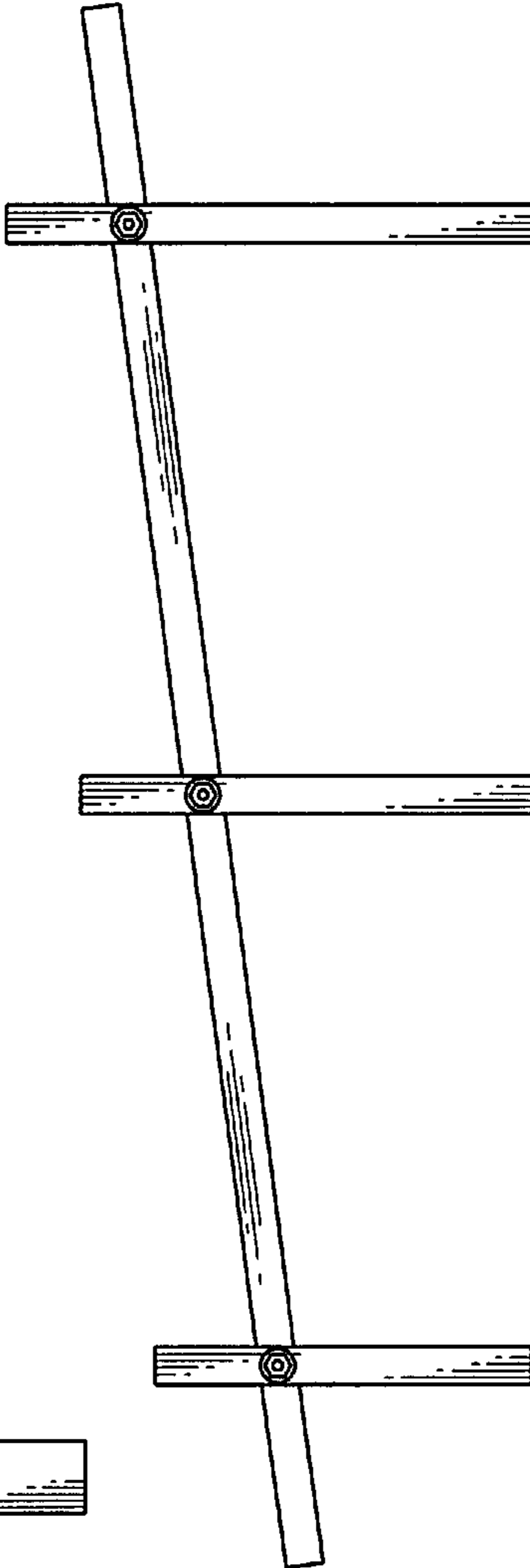


FIG. 3

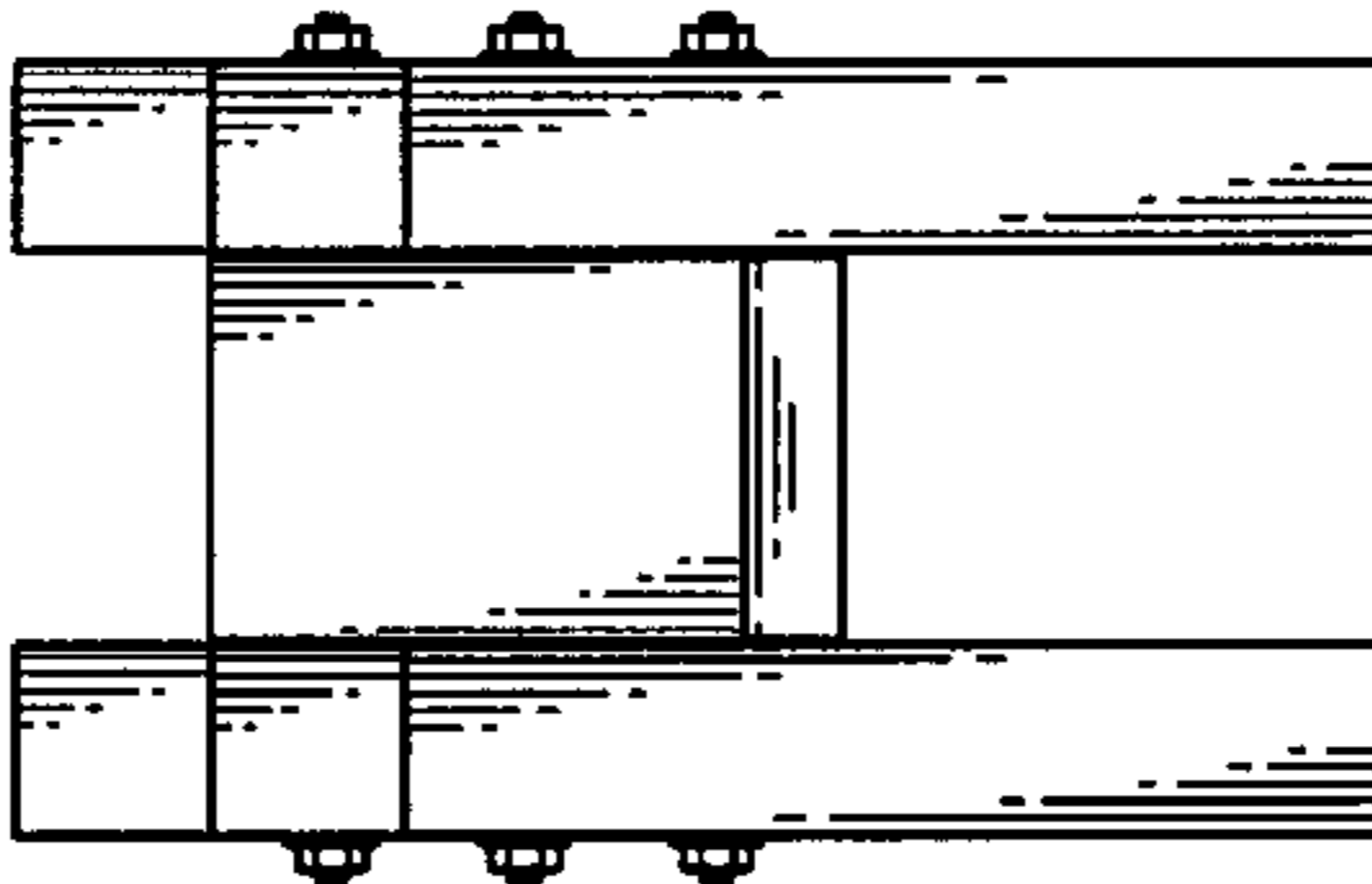


FIG. 5

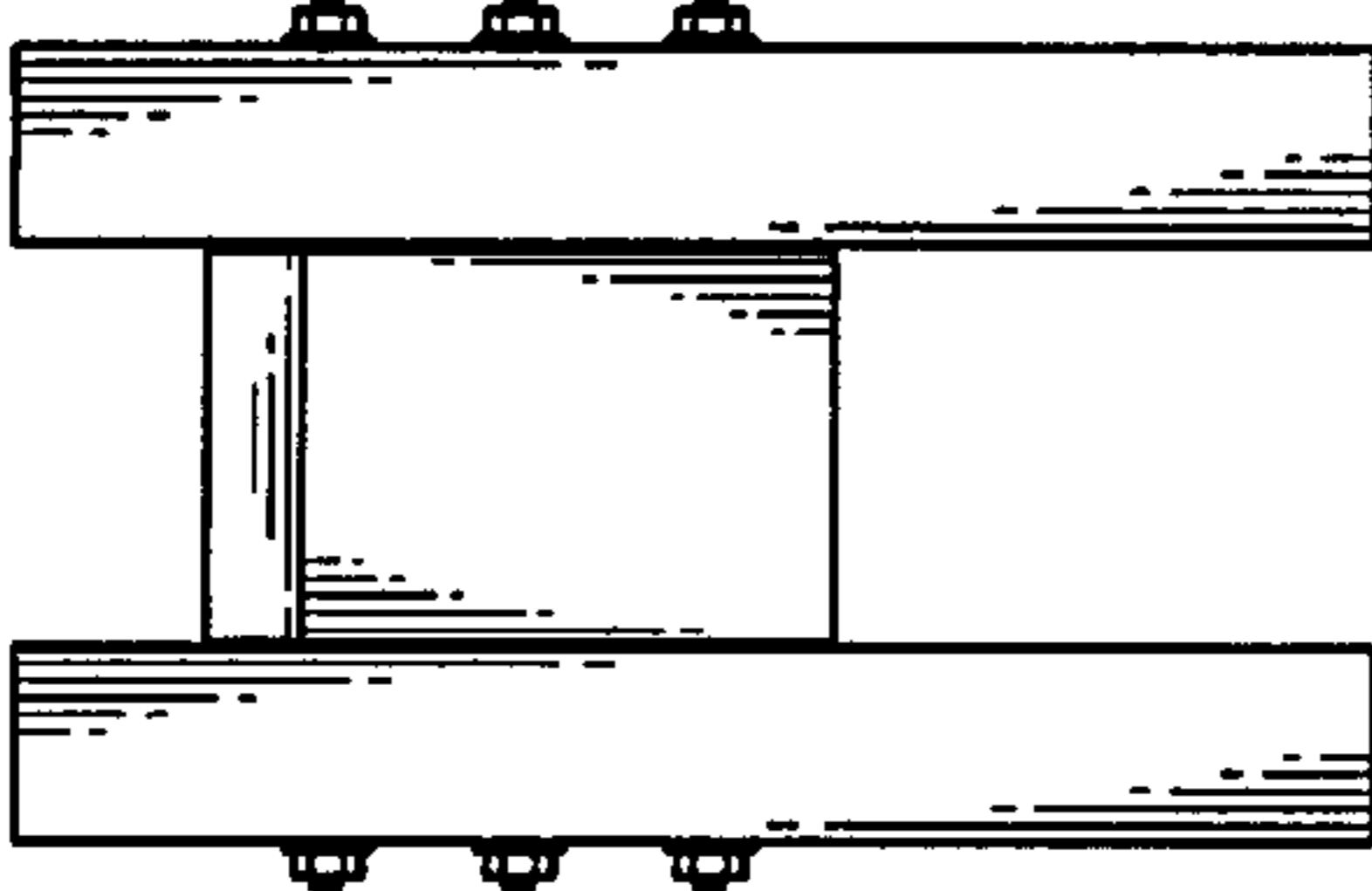


FIG. 6

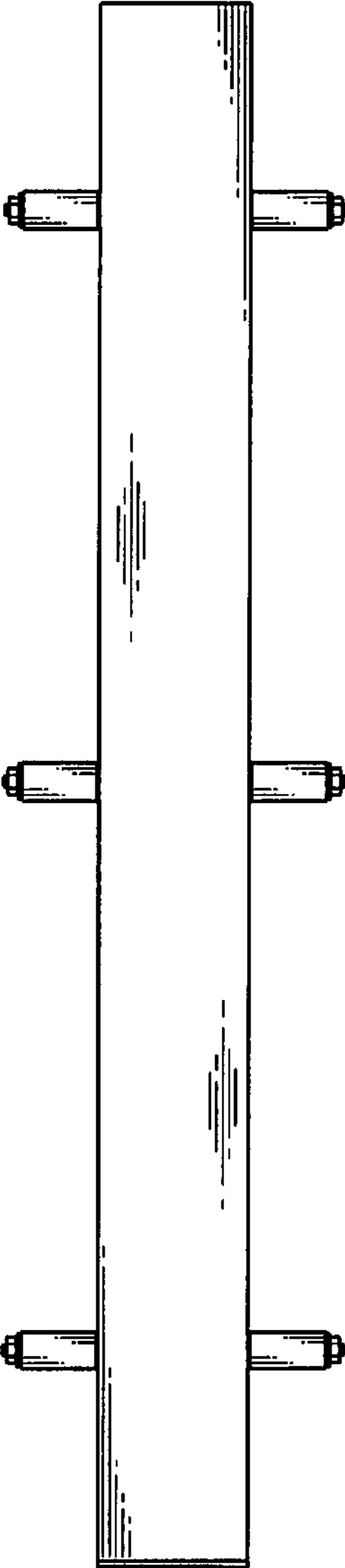
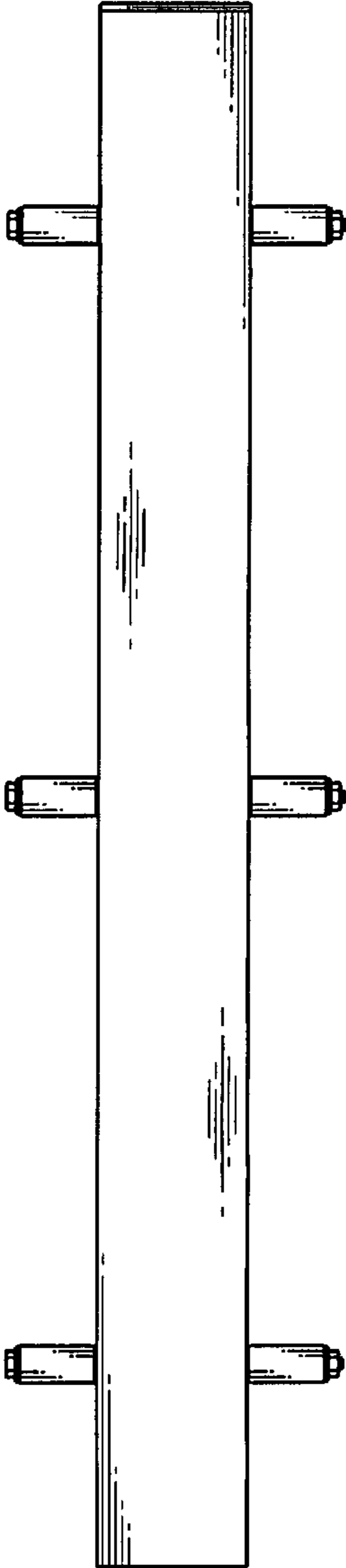


FIG. 7



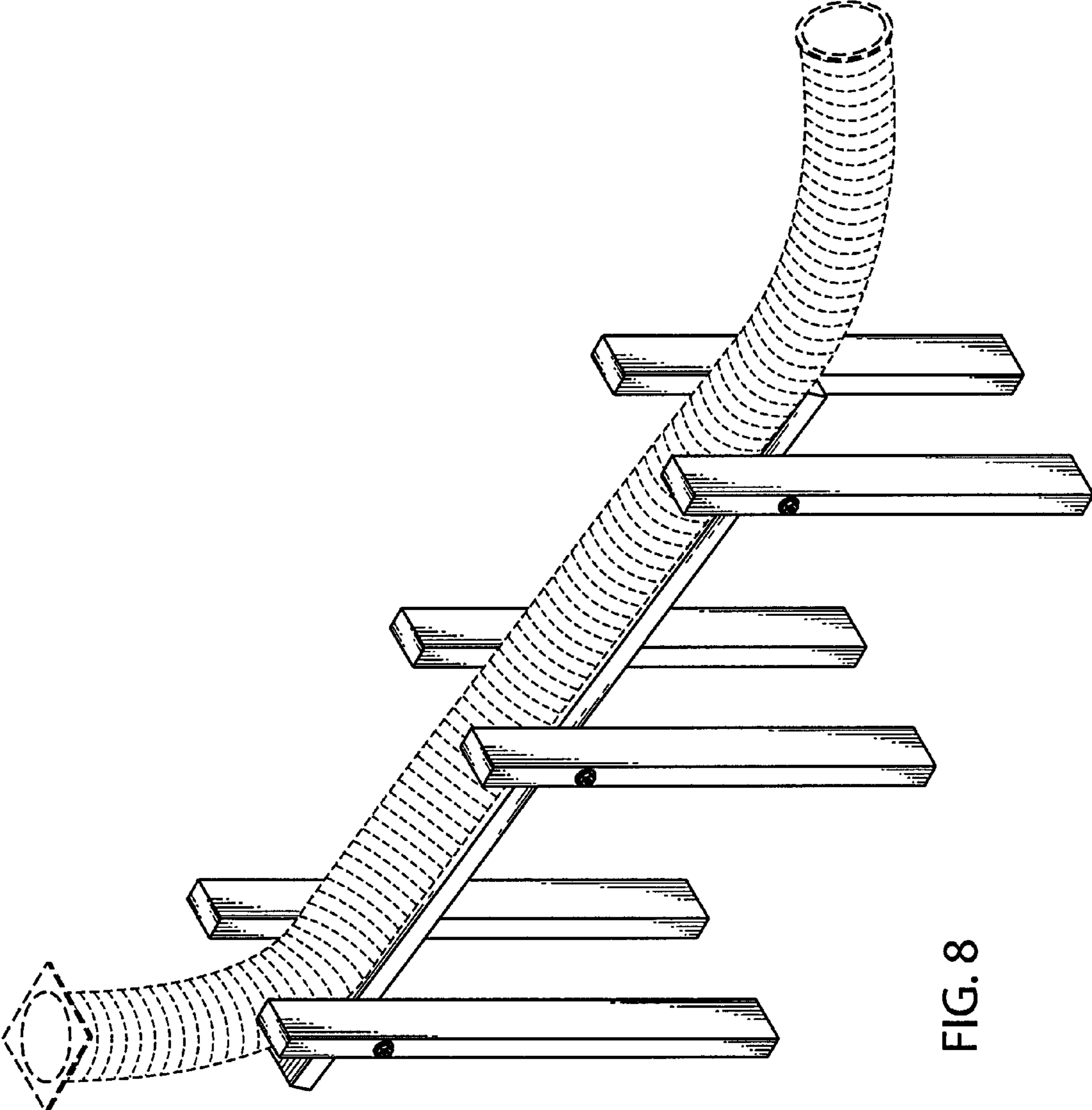


FIG. 8