



US00D736599S

(12) **United States Design Patent**  
**Gringer et al.**

(10) **Patent No.:** **US D736,599 S**  
(45) **Date of Patent:** **\*\* Aug. 18, 2015**

(54) **SUPPORTING DEVICE FOR PAINTING**

(71) Applicant: **ALLWAY TOOLS, INC.**, Bronx, NY  
(US)

(72) Inventors: **Donald Gringer**, New York, NY (US);  
**Yuan Fang Cheng**, Syosset, NY (US)

(73) Assignee: **ALLWAY TOOLS, INC.**, Bronx, NY  
(US)

(\*\*) Term: **14 Years**

(21) Appl. No.: **29/510,899**

(22) Filed: **Dec. 4, 2014**

(51) **LOC (10) Cl.** ..... **08-05**

(52) **U.S. Cl.**  
USPC ..... **D8/354**; D21/505

(58) **Field of Classification Search**  
USPC ..... D8/349, 354, 380, 382, 388, 400, 402,  
D8/499; D10/113.1-113.3, 109.1, 109.2;  
D21/505, 803, 369, 373, 386, 388,  
D21/396; D20/10, 39-43; 116/28 R, 63 R,  
116/63 P, 63 T, 63 C, 209; 40/584, 606, 607,  
40/608, 311, 312; 273/113, 153 P, 153 R,  
273/153 S, 155, 157 R, 260; 446/69, 70,  
446/121, 122, 124, 125, 126; 248/346.01,  
248/546, 694, 126, 176.1; 434/99, 102,  
434/211, 403; 404/4-16; 405/21, 29  
CPC ..... B05B 13/02; B25B 11/00  
See application file for complete search history.

(56) **References Cited**

**U.S. PATENT DOCUMENTS**

1,216,840 A 2/1917 Ramsey et al.  
3,659,360 A 5/1972 Zeischegg  
3,782,029 A \* 1/1974 Bardot ..... 446/121  
3,800,735 A 4/1974 Simpson  
D276,773 S \* 12/1984 Rodriguez ..... D6/680

D315,186 S \* 3/1991 Peterson ..... D21/803  
D367,119 S \* 2/1996 Trunk ..... D25/23  
6,708,838 B2 3/2004 Bergman et al.  
6,991,829 B2 1/2006 Bergman  
D578,870 S \* 10/2008 Sorkin ..... D8/354  
D581,251 S 11/2008 Bucci  
D581,254 S 11/2008 Bucci  
D585,213 S \* 1/2009 Zarelius ..... D6/708.16  
D602,341 S 10/2009 Bucci  
D603,245 S 11/2009 Bucci  
7,644,835 B2 1/2010 Bergman  
D609,077 S 2/2010 Bucci  
D613,149 S 4/2010 Bucci  
D613,582 S 4/2010 Bucci  
D616,728 S 6/2010 Bucci  
D631,729 S 2/2011 Bucci

(Continued)

**OTHER PUBLICATIONS**

Allway Tools, Soft Grip Tools for Hard Hat Jobs, Product Catalog,  
2014.

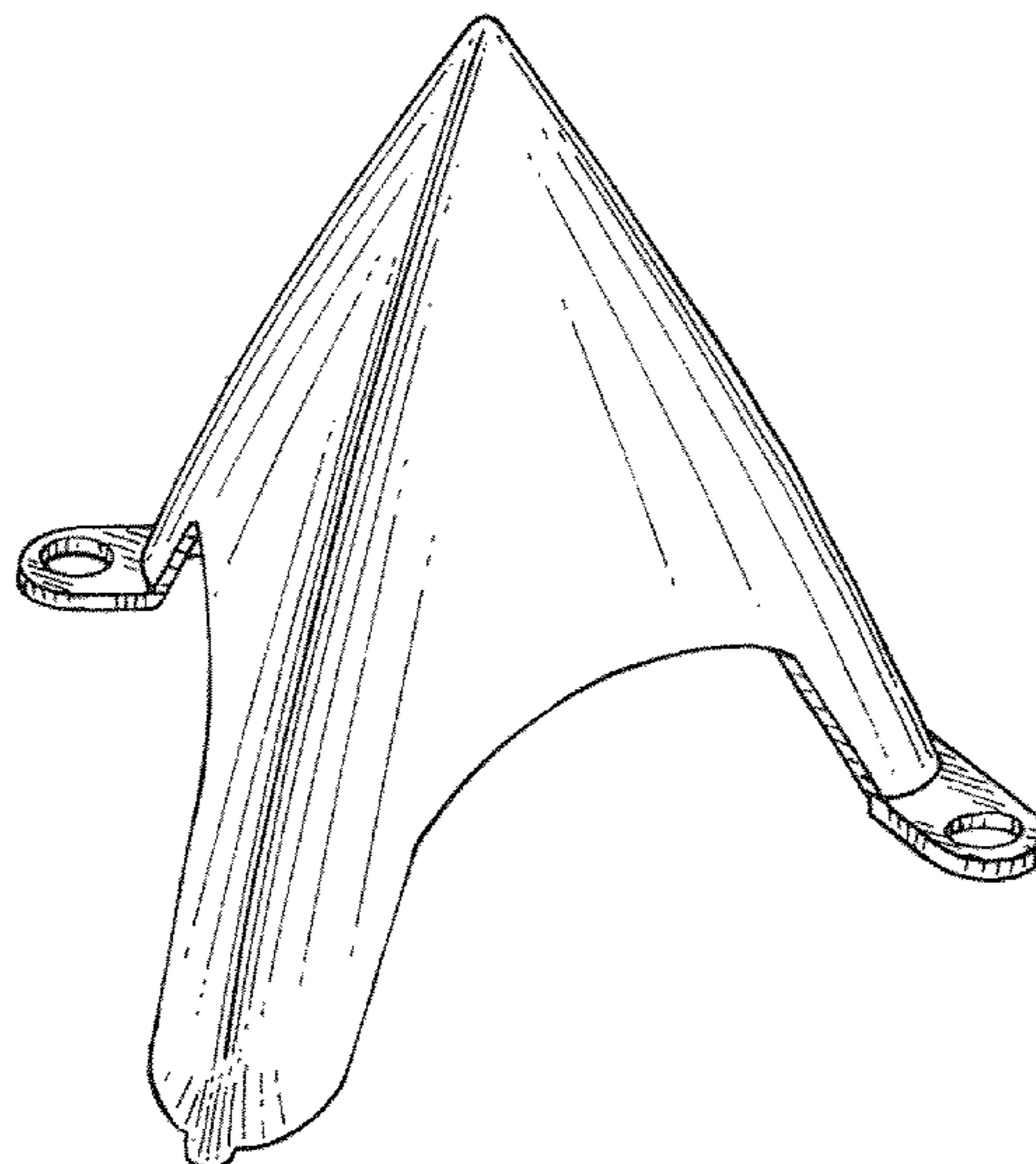
*Primary Examiner* — Mark Goodwin  
(74) *Attorney, Agent, or Firm* — Gottlieb, Rackman &  
Reisman, P.C.

(57) **CLAIM**  
The ornamental design for a supporting device for painting,  
as shown and described.

**DESCRIPTION**

FIG. 1 is a front and right side perspective view of a support-  
ing device for painting showing our new design;  
FIG. 2 is a top plan view thereof;  
FIG. 3 is a front elevational view thereof;  
FIG. 4 is a left side elevational view thereof;  
FIG. 5 is a right side elevational view thereof;  
FIG. 6 is a rear elevational view thereof;  
FIG. 7 is a rear and left side perspective view thereof; and,  
FIG. 8 is a bottom plan view thereof.

**1 Claim, 4 Drawing Sheets**



(56)

**References Cited**

U.S. PATENT DOCUMENTS

D635,010 S 3/2011 Bucci  
7,959,030 B2 6/2011 Bergman  
D642,447 S 8/2011 Bucci  
D649,435 S 11/2011 Bucci  
D652,709 S 1/2012 Bucci  
D656,812 S 4/2012 Bucci  
D657,659 S 4/2012 Bucci  
D660,685 S 5/2012 Bucci

D668,933 S 10/2012 Bucci  
D669,760 S 10/2012 Bucci  
D672,222 S 12/2012 Bucci  
8,347,811 B2 1/2013 Bucci  
D681,421 S 5/2013 Bucci  
8,550,285 B2 10/2013 Bergman et al.  
8,556,116 B2 10/2013 Bergman et al.  
D697,281 S 1/2014 Bergman et al.  
D702,907 S 4/2014 Bergman et al.  
8,919,604 B2 12/2014 Bergman et al.

\* cited by examiner

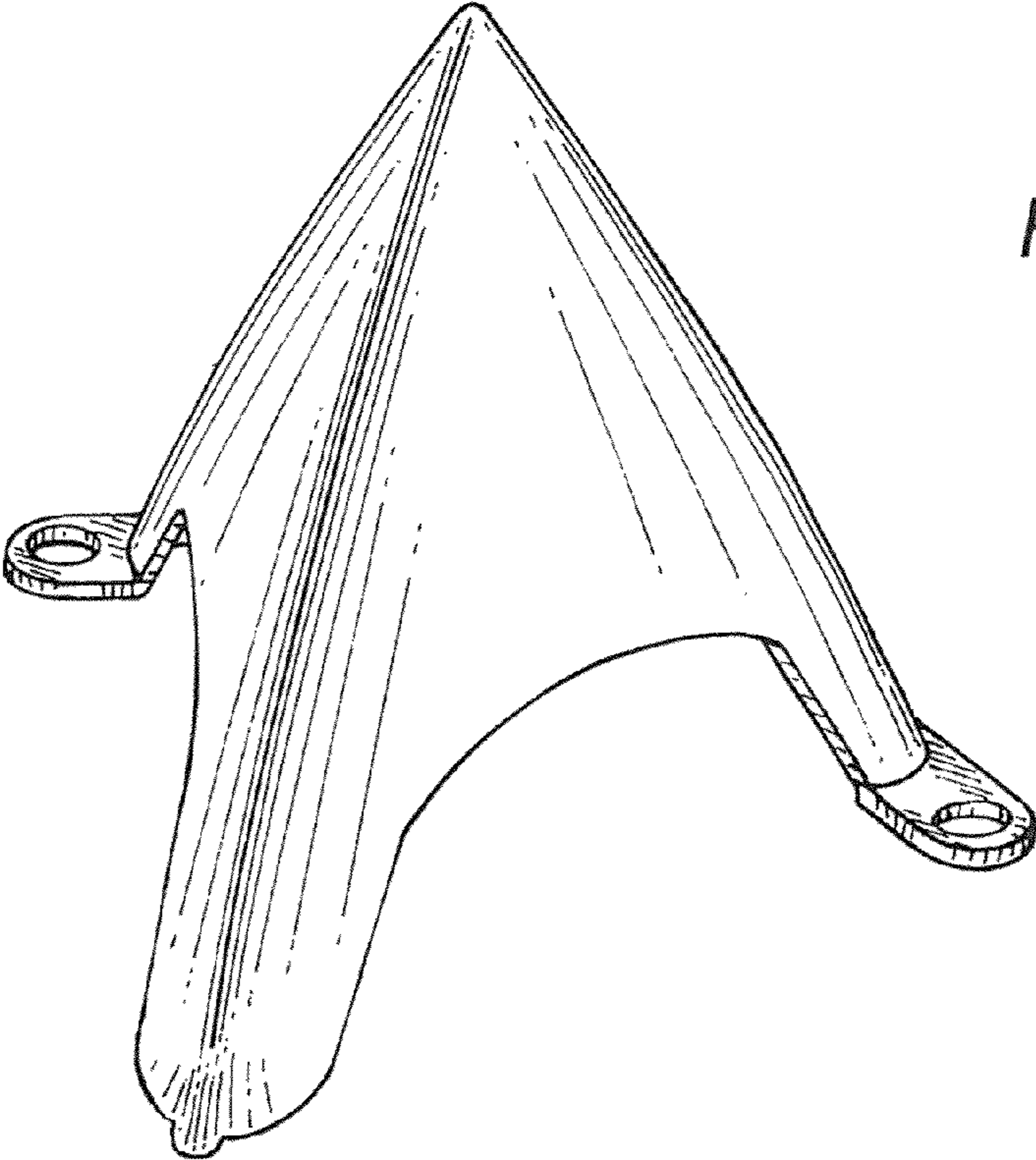


FIG. 1

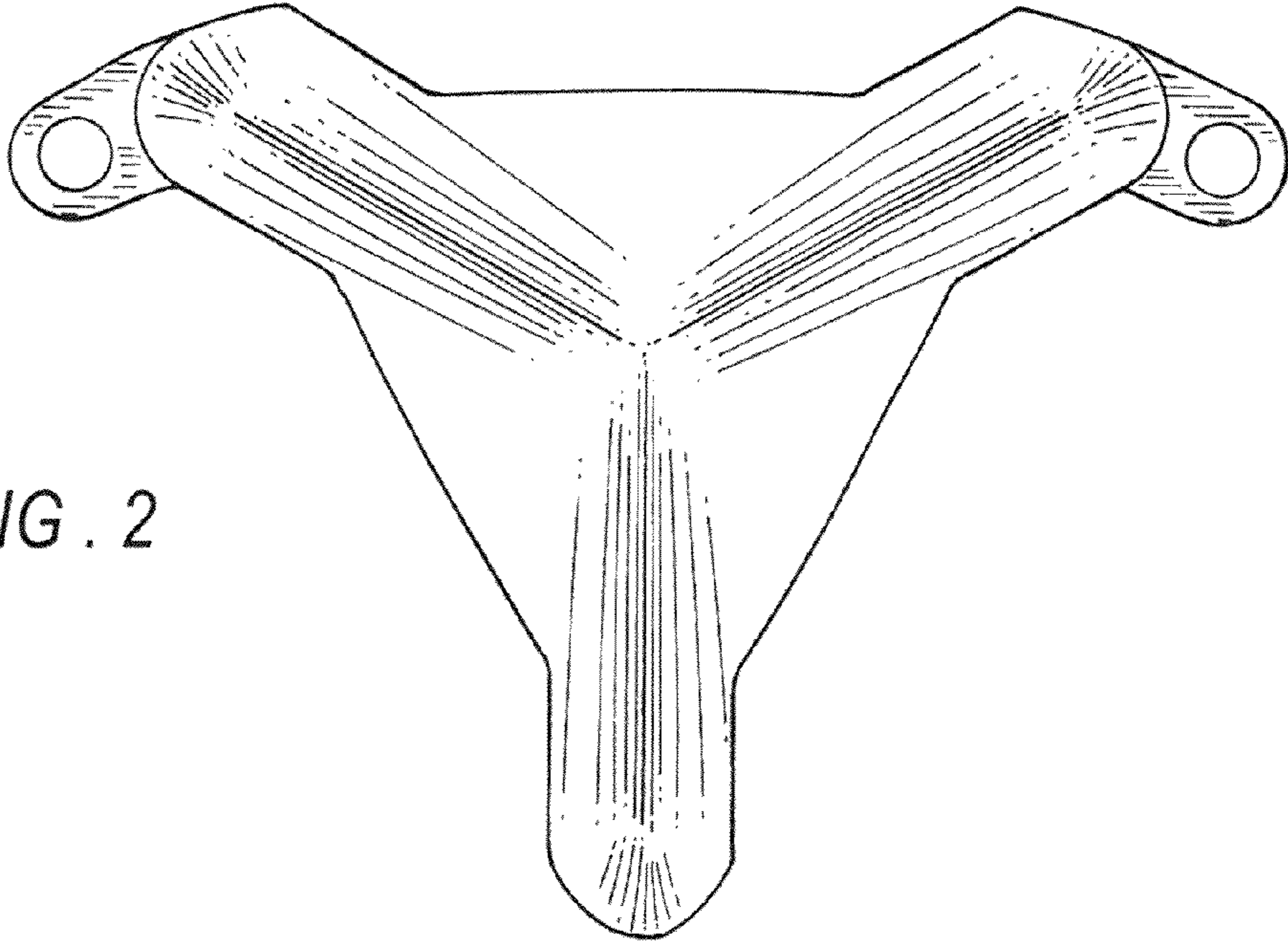


FIG. 2



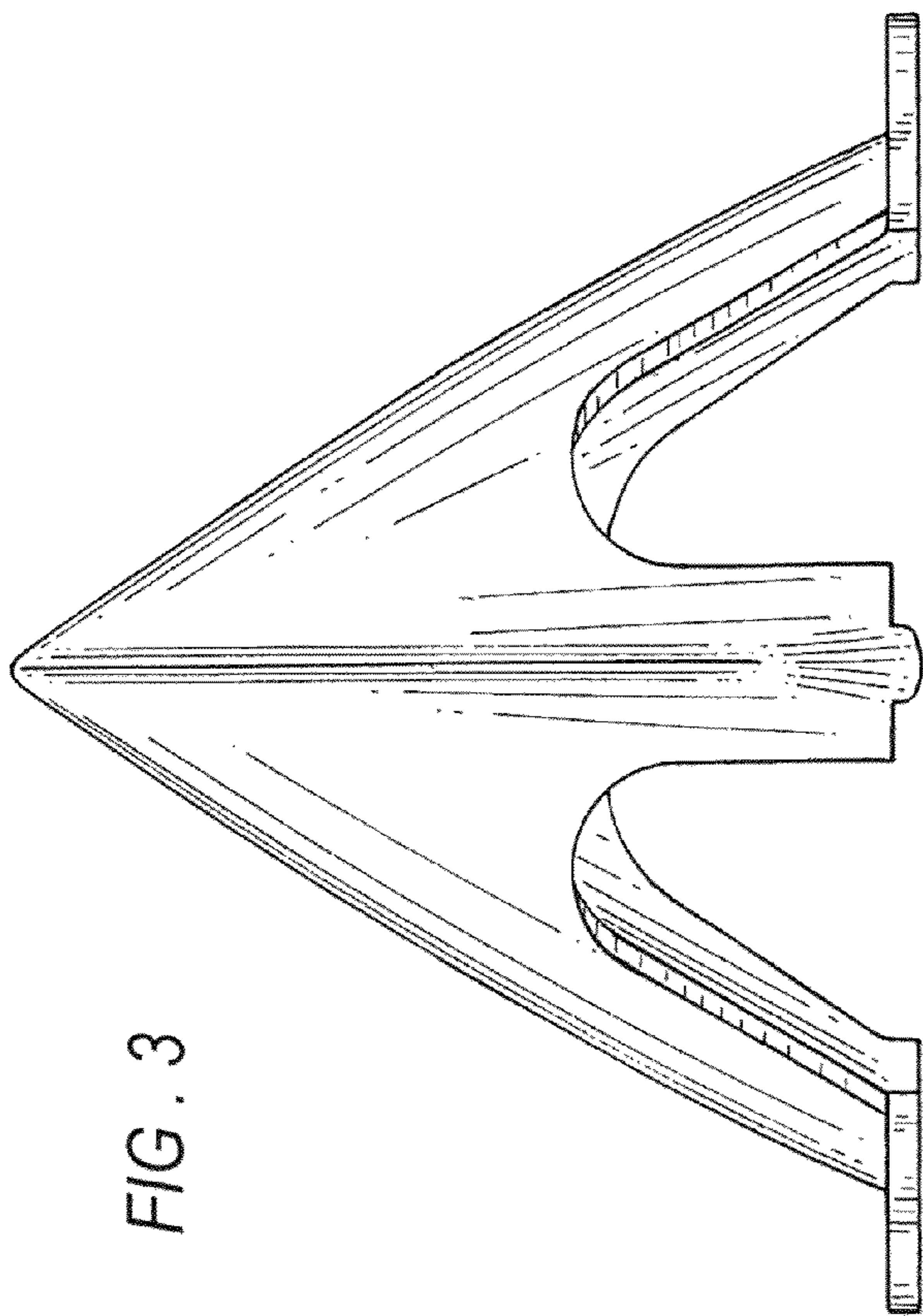


FIG. 3

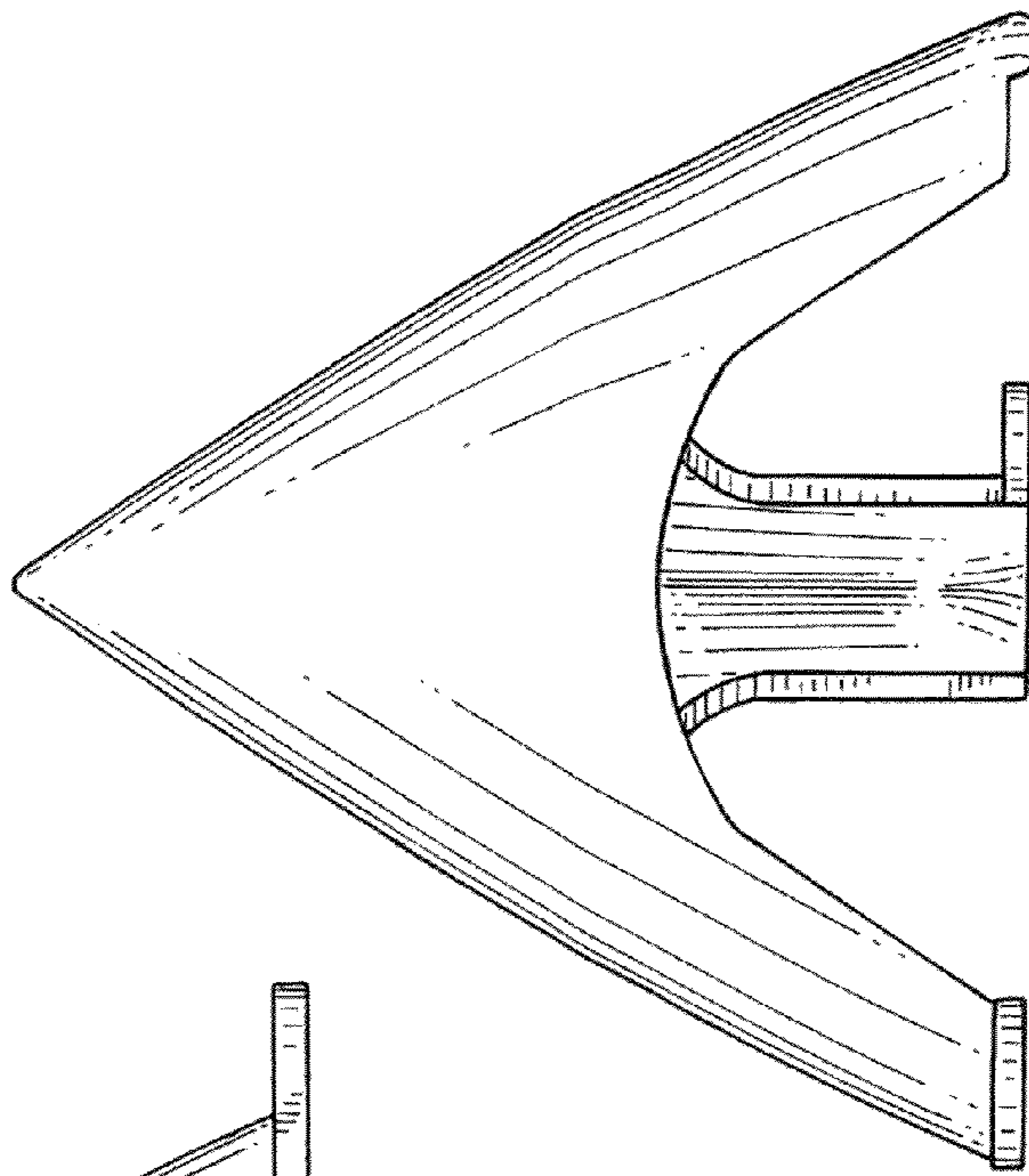


FIG. 4

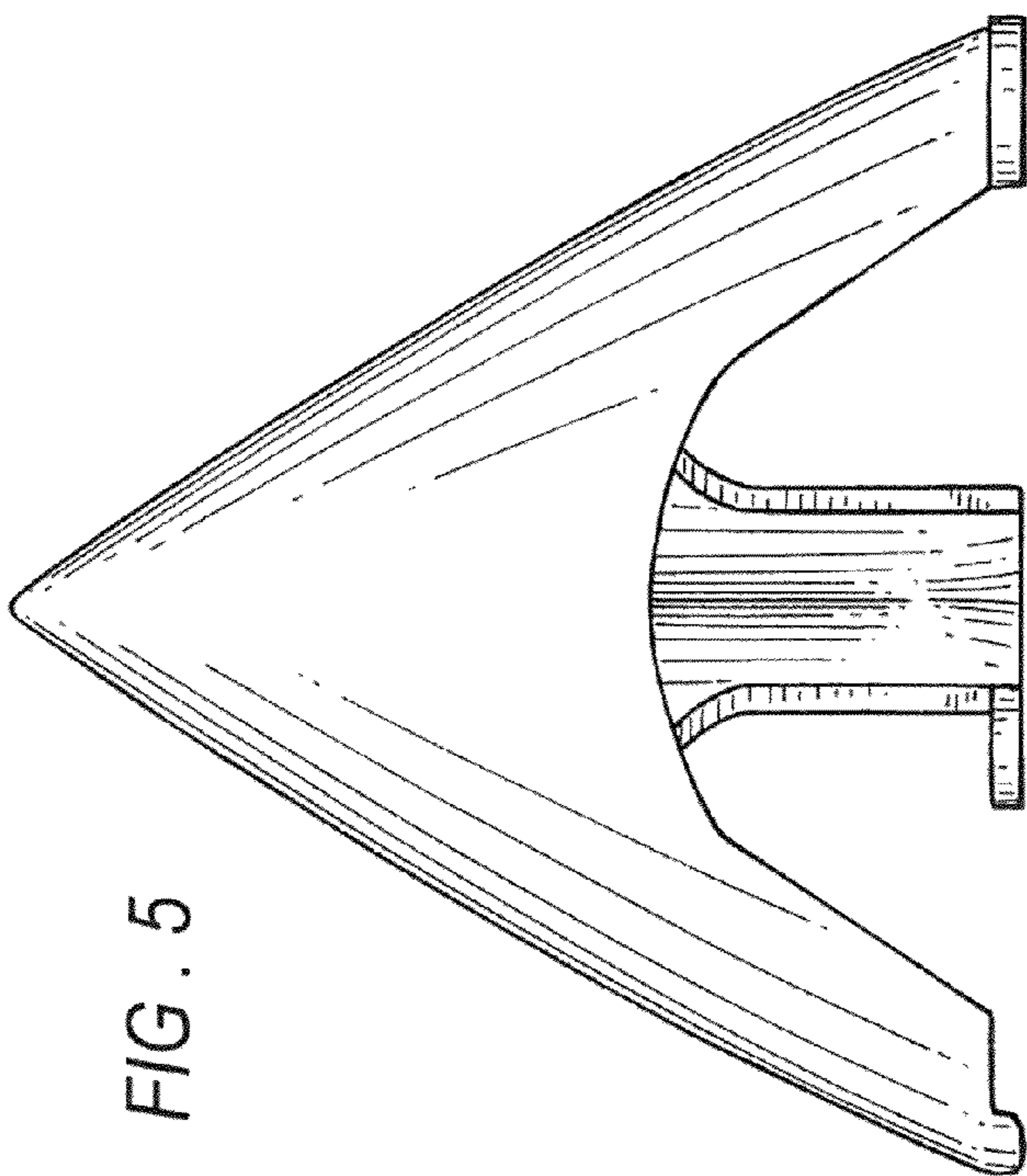


FIG. 5

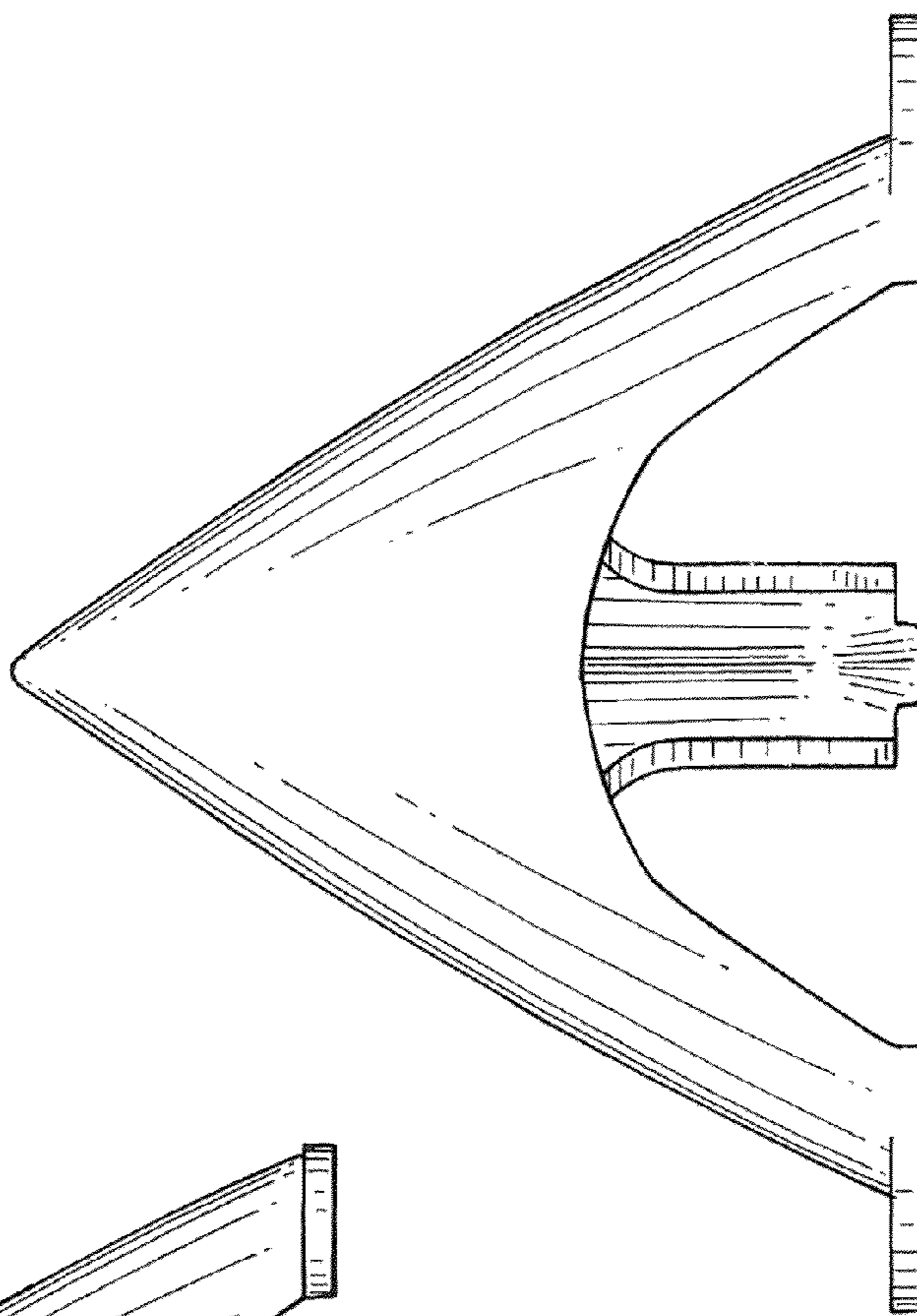


FIG. 6

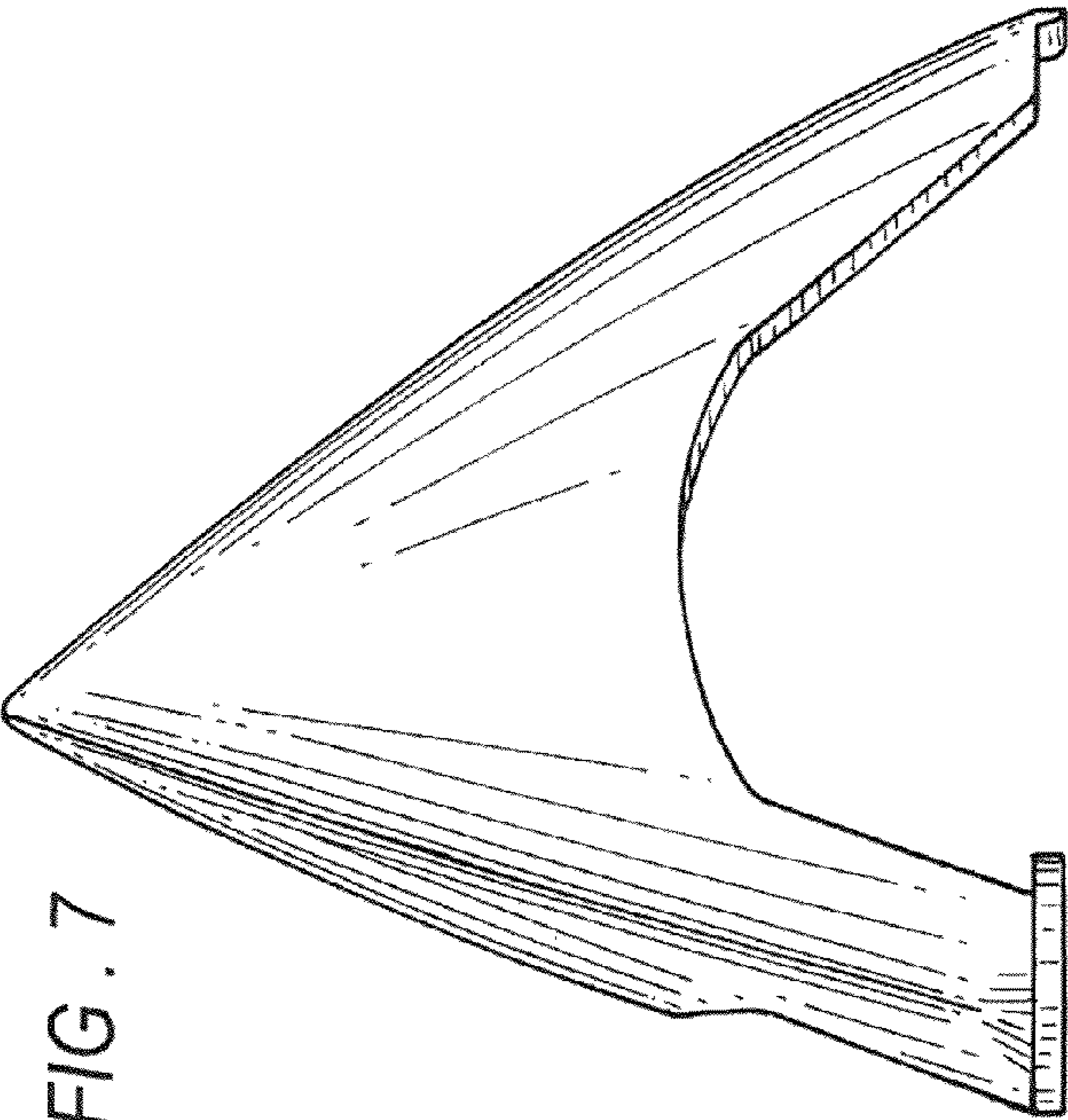


FIG. 7

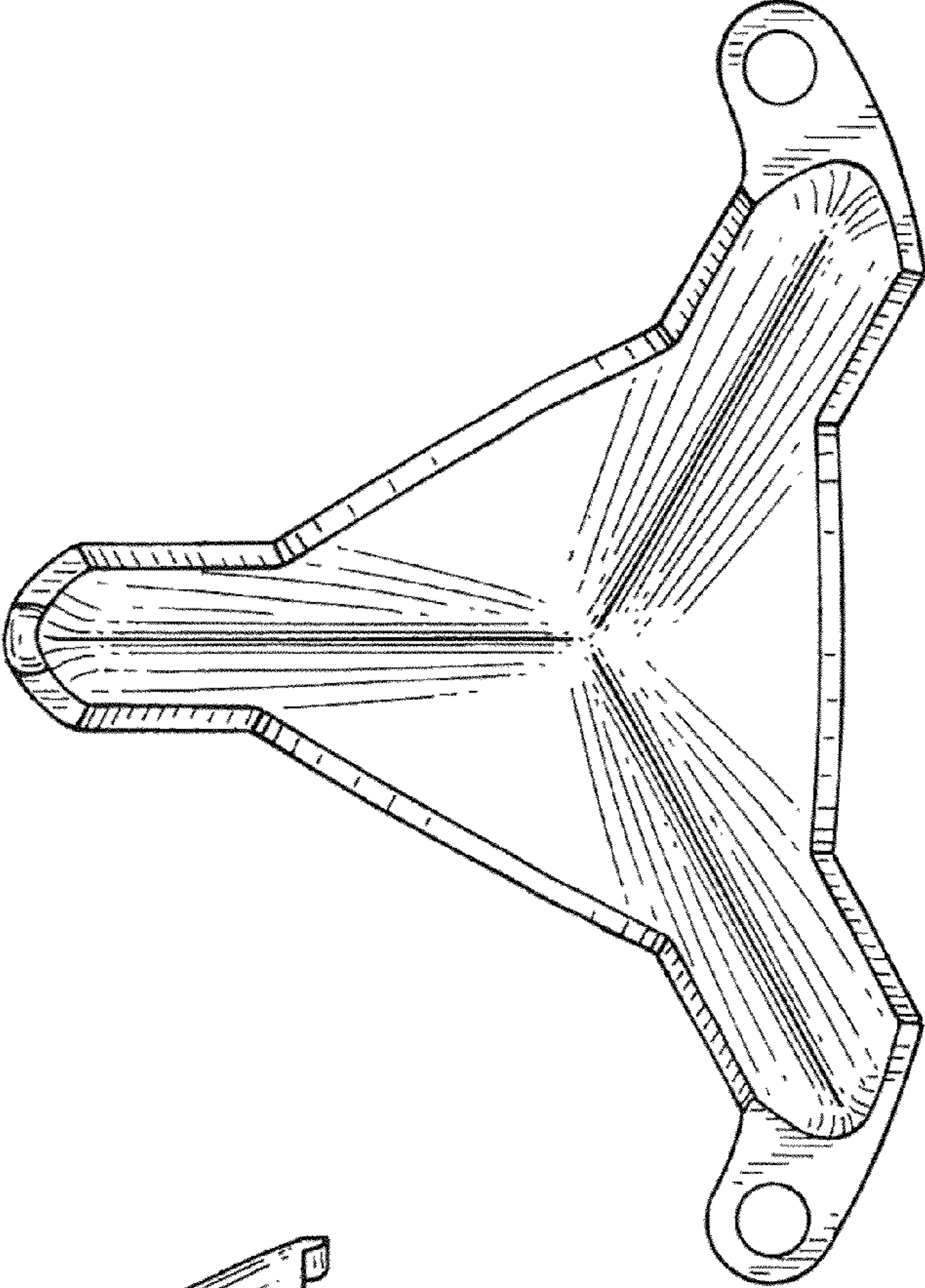


FIG. 8