



US00D736598S

(12) **United States Design Patent**  
**Keen et al.**

(10) **Patent No.:** **US D736,598 S**

(45) **Date of Patent:** **\*\* Aug. 18, 2015**

(54) **PERIMETER SEISMIC SLIP JOINT CLIP**

(56) **References Cited**

(71) Applicant: **USG INTERIORS, LLC**, Chicago, IL  
(US)

U.S. PATENT DOCUMENTS

D674,682 S \* 1/2013 Shea ..... D8/373

(72) Inventors: **John F. Keen**, Auckland (NZ); **David J. Peck**, Auckland (NZ)

FOREIGN PATENT DOCUMENTS

(73) Assignee: **USG INTERIORS, LLC**, Chicago, IL  
(US)

JP	1172919 S	5/2003
TW	D128890 S	5/2009
TW	D128891 S	5/2009
TW	D141669 S	7/2011

(\*\*) Term: **14 Years**

\* cited by examiner

(21) Appl. No.: **29/482,246**

*Primary Examiner* — Holly Baynham

(22) Filed: **Feb. 17, 2014**

(74) *Attorney, Agent, or Firm* — Pearne & Gordon LLP

(30) **Foreign Application Priority Data**

(57) **CLAIM**

The ornamental design for a perimeter seismic slip joint clip, as shown and described.

Aug. 22, 2013 (NZ) ..... 417967

**DESCRIPTION**

(51) **LOC (10) Cl.** ..... **08-05**

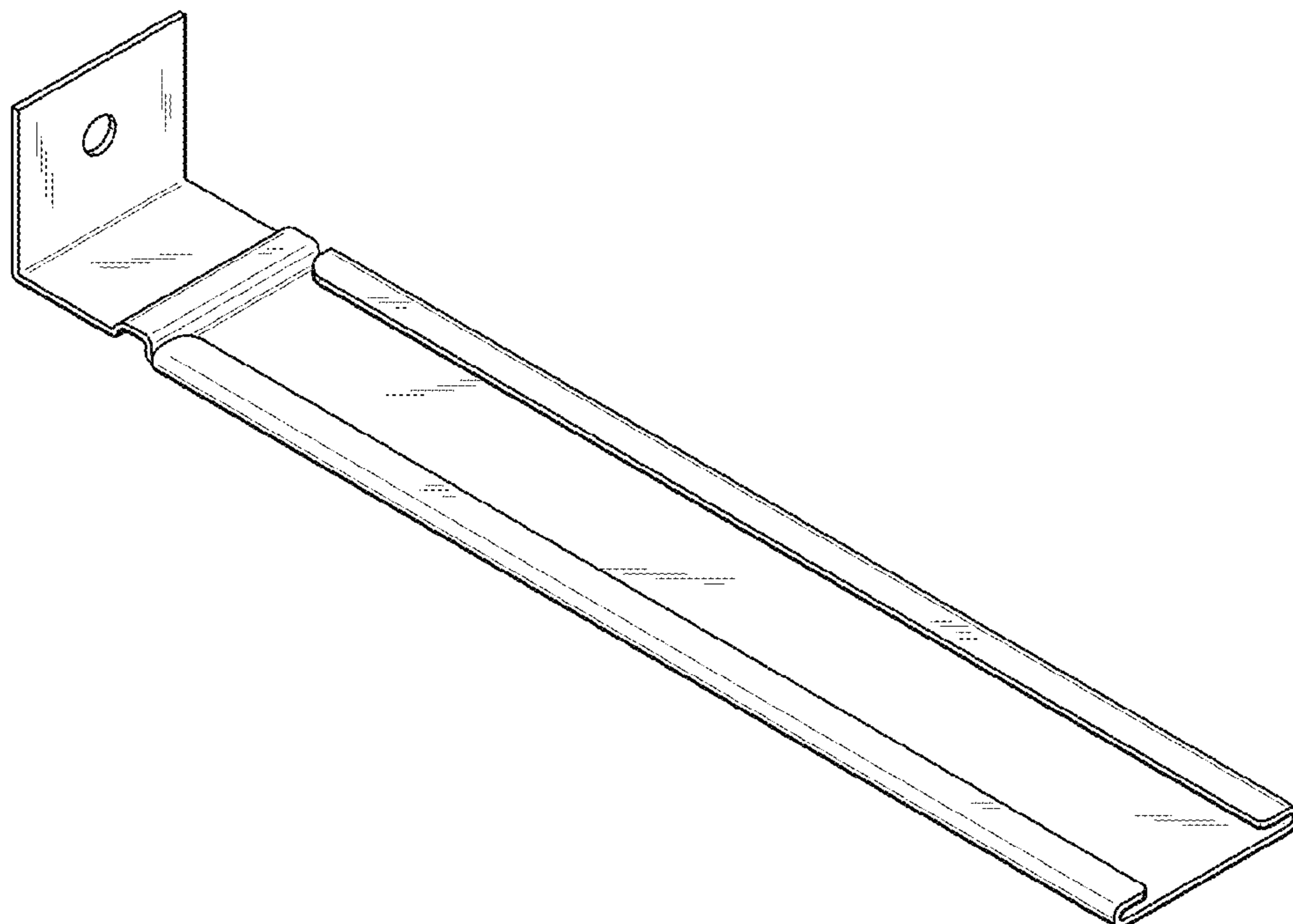
(52) **U.S. Cl.**  
USPC ..... **D8/354**

(58) **Field of Classification Search**  
USPC ..... D8/349, 354, 373, 380  
CPC ..... F16B 9/023; A47B 97/00; A47F 5/00;  
A47F 7/021; A47F 5/0006; E04G 5/06;  
A47G 29/00; F16M 13/00; B60K 2350/941;  
B60K 37/04

FIG. 1 is an isometric view of the perimeter seismic slip joint clip;  
FIG. 2 is a top plan view of the clip;  
FIG. 3 is a left side elevational view of the clip, the right side view being a mirror image thereof;  
FIG. 4 is a bottom plan view of the clip;  
FIG. 5 is a front elevational view of the clip; and,  
FIG. 6 is a rear elevational view of the clip.

See application file for complete search history.

**1 Claim, 1 Drawing Sheet**



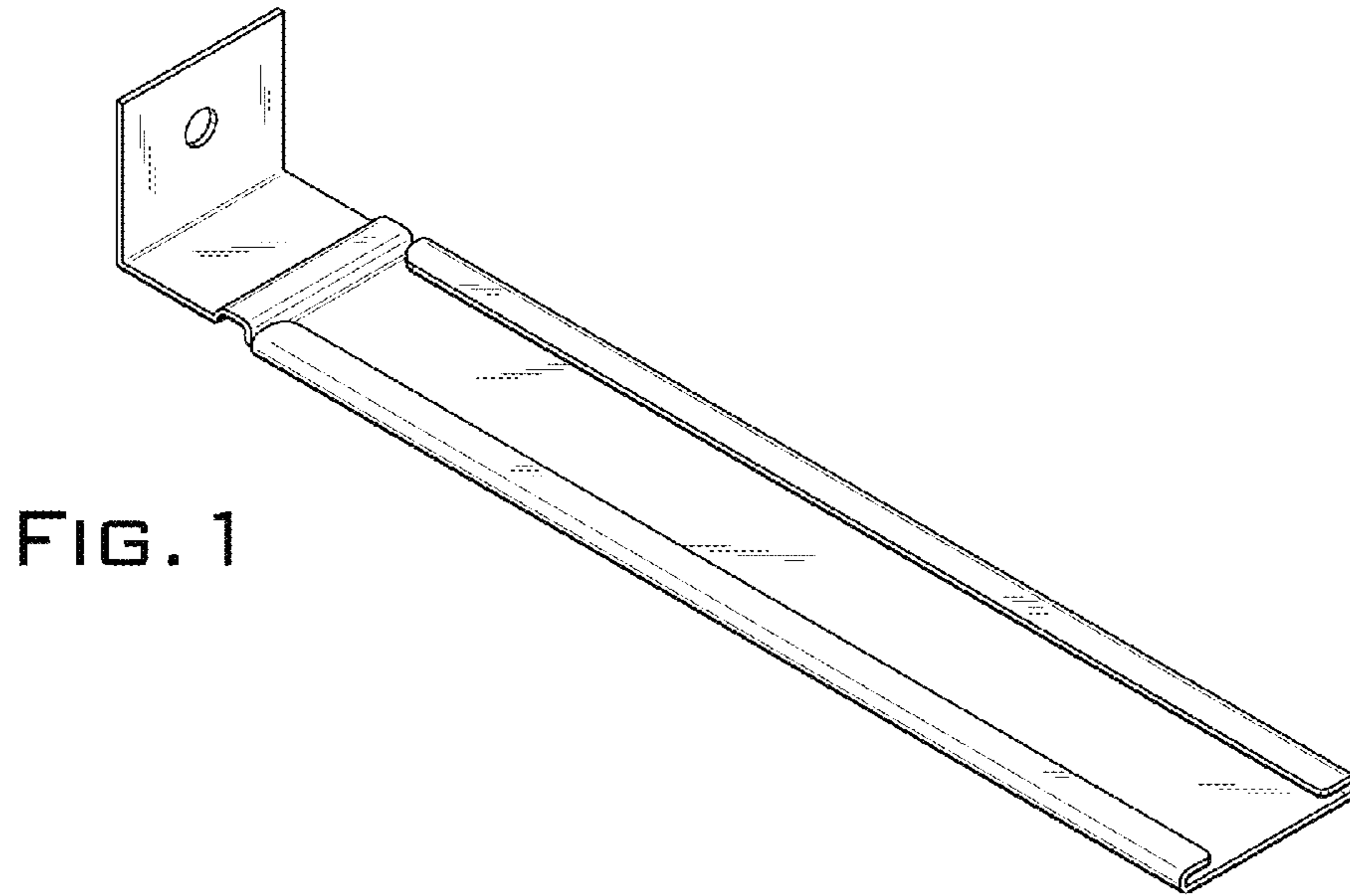


FIG. 1

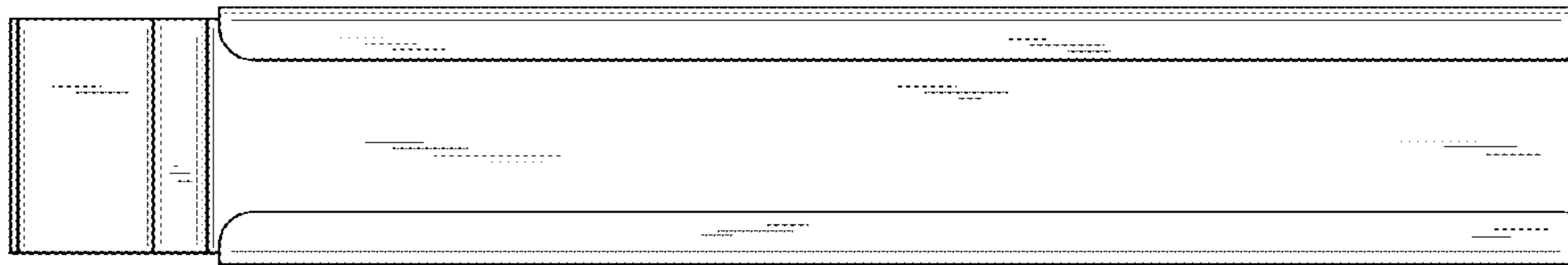


FIG. 2

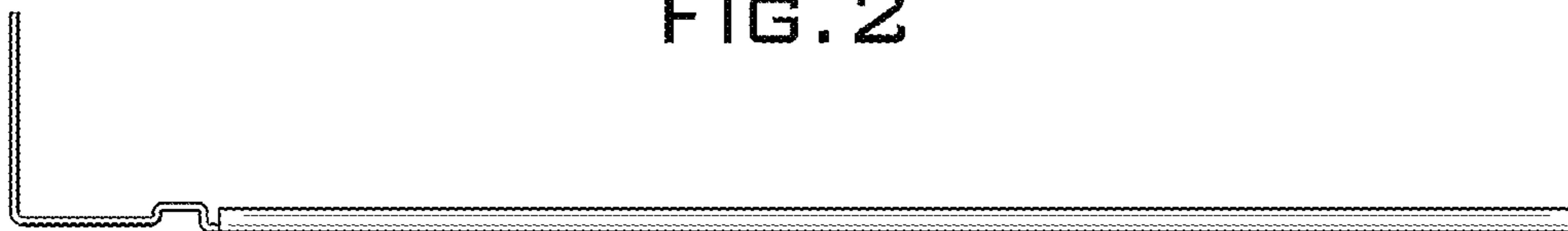


FIG. 3

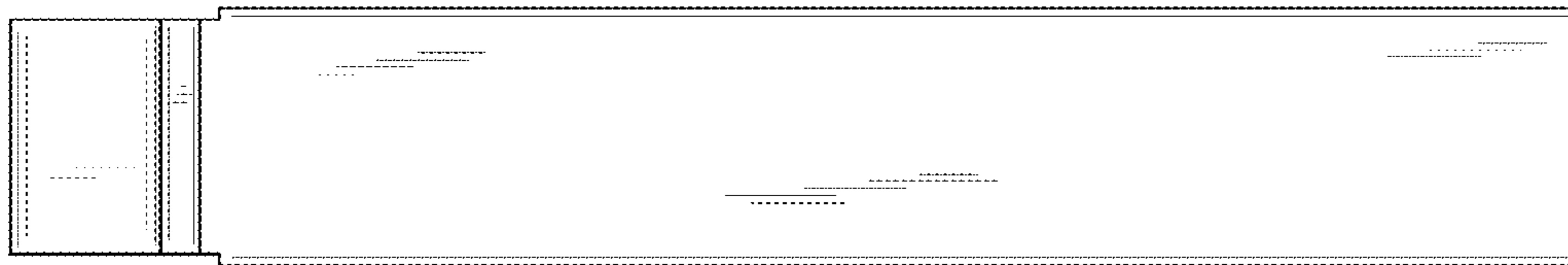


FIG. 4

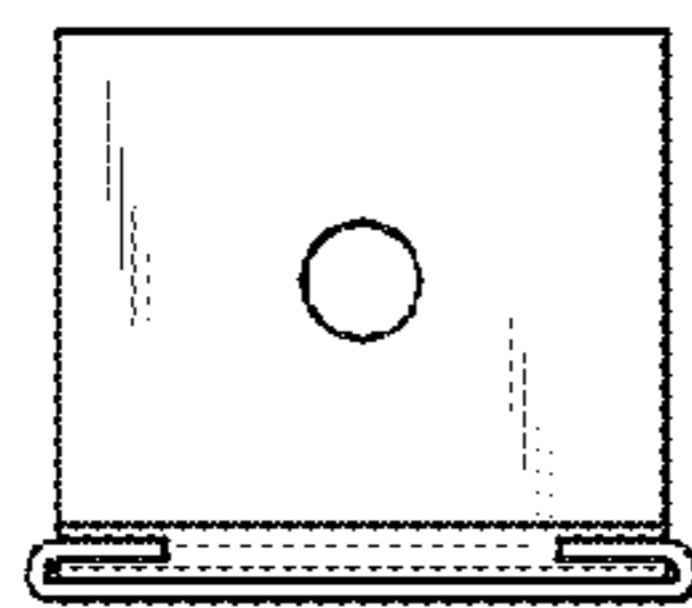


FIG. 5

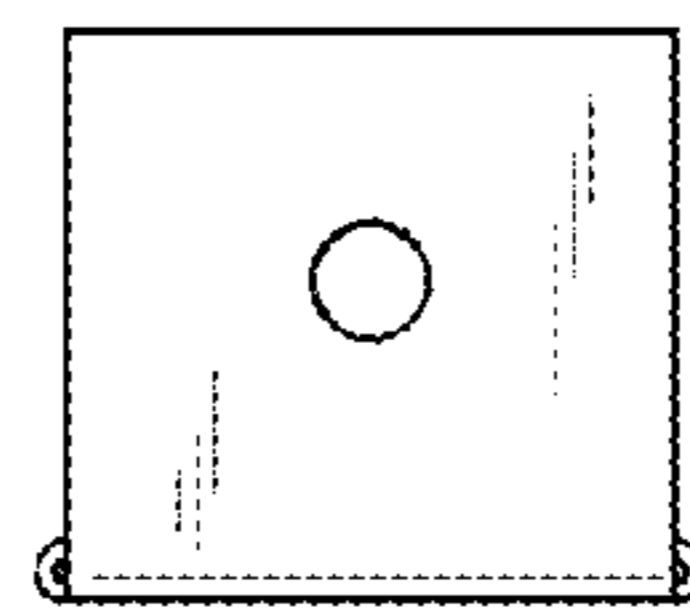


FIG. 6