



US00D736597S

(12) **United States Design Patent**
Arner et al.

(10) **Patent No.:** **US D736,597 S**

(45) **Date of Patent:** **** Aug. 18, 2015**

(54) **MOUNTING STRUCTURE**

(56) **References Cited**

(71) Applicant: **General Electric Company**,
Schenectady, NY (US)

(72) Inventors: **James Edward Arner**, Newport News,
VA (US); **Paul Lloyd Flynn**, Lawrence
Park, PA (US); **Shishir Tiwari**,
Bangalore (IN); **Shashi Kiran**,
Lawrence Park, PA (US)

U.S. PATENT DOCUMENTS

D285,528	S	*	9/1986	Huot	D8/330
D299,003	S	*	12/1988	Fadeley, Jr.	D8/367
D306,763	S	*	3/1990	Haldorsen	D25/61
D443,810	S	*	6/2001	Ausilio	D8/354
D583,158	S	*	12/2008	Chiu et al.	D6/304
2011/0147547	A1	*	6/2011	Fitzpatrick et al.	248/157
2012/0167558	A1		7/2012	Svihla		
2014/0077050	A1	*	3/2014	Huang	248/297.11

(73) Assignee: **General Electric Company**,
Schenectady, NY (US)

FOREIGN PATENT DOCUMENTS

WO 2011087819 7/2011

(**) Term: **14 Years**

* cited by examiner

(21) Appl. No.: **29/466,486**

Primary Examiner — Elizabeth Albert

(22) Filed: **Sep. 9, 2013**

(74) *Attorney, Agent, or Firm* — GE Global Patent
Operation; John A. Kramer

(51) **LOC (10) Cl.** **08-05**

(57) **CLAIM**

(52) **U.S. Cl.**

The ornamental design for a mounting structure, as shown
and described.

USPC **D8/354**

DESCRIPTION

(58) **Field of Classification Search**

USPC D8/349, 354–356, 363–367, 370–373,
D8/380, 382, 384, 381; D25/199,
D25/119–125; 248/215, 465.1, 112, 153,
248/175, 218.1, 218.2, 302, 303, 300
CPC F16M 1/00; F16M 5/00; F16M 7/00;
F16M 11/16; F16M 13/00; F16M 13/005;
F16M 13/04; F16M 2200/08

FIG. 1 is a first perspective view of an ornamental design for
a mounting structure, according to the invention.

FIG. 2 is a front view of a mounting structure of FIG. 1.

FIG. 3 is a back view of a mounting structure of FIG. 1.

FIG. 4 is a left view of a mounting structure of FIG. 1.

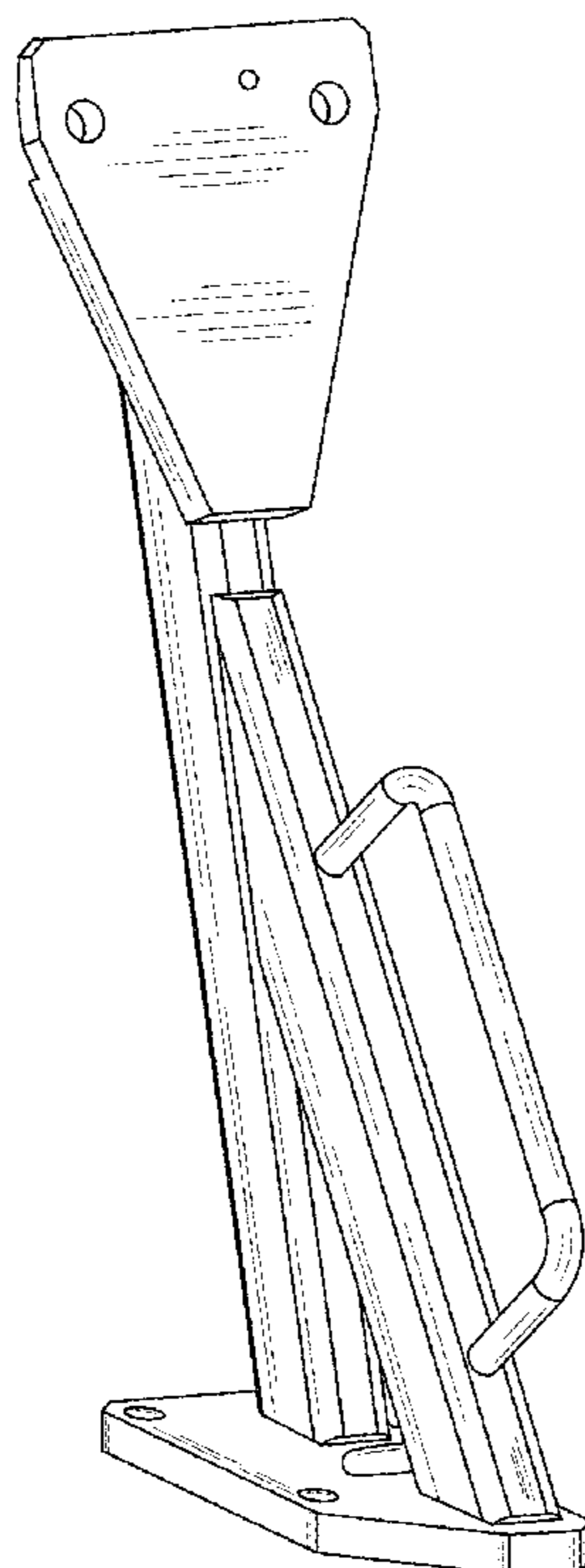
FIG. 5 is a right view of a mounting structure of FIG. 1.

FIG. 6 is a top view of a mounting structure of FIG. 1; and,

FIG. 7 is a bottom view of a mounting structure of FIG. 1.

See application file for complete search history.

1 Claim, 7 Drawing Sheets



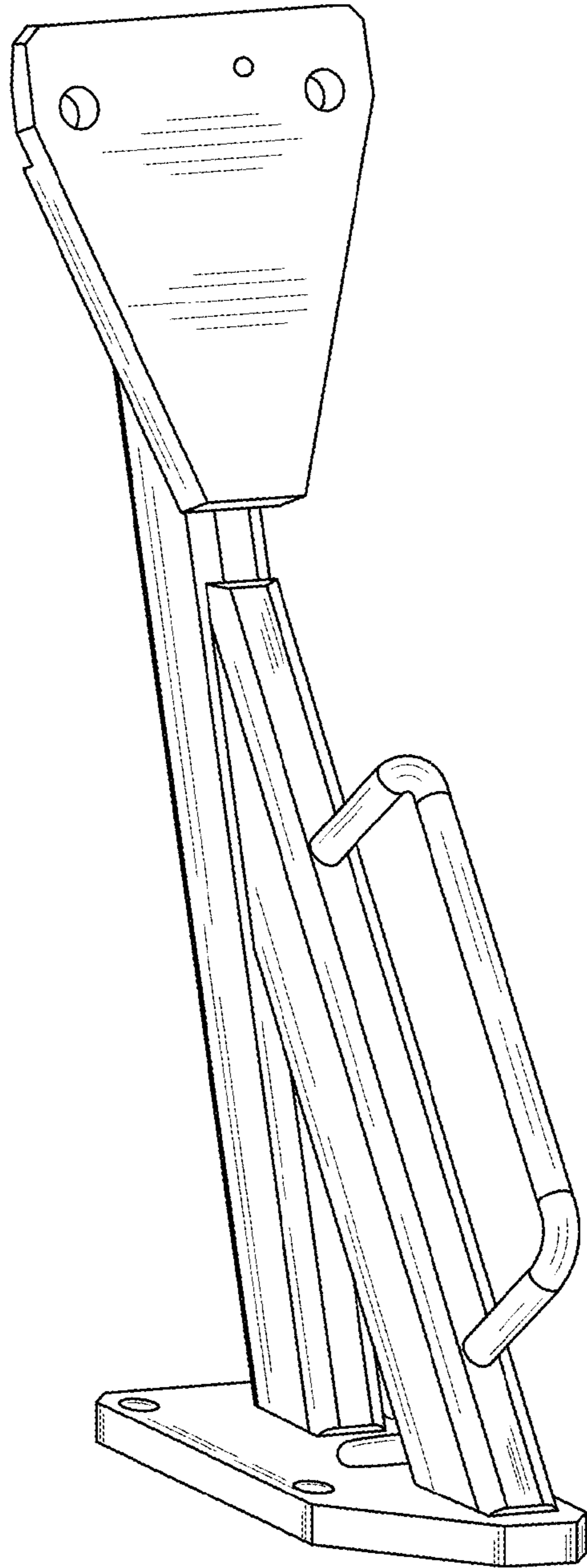


FIG. 1

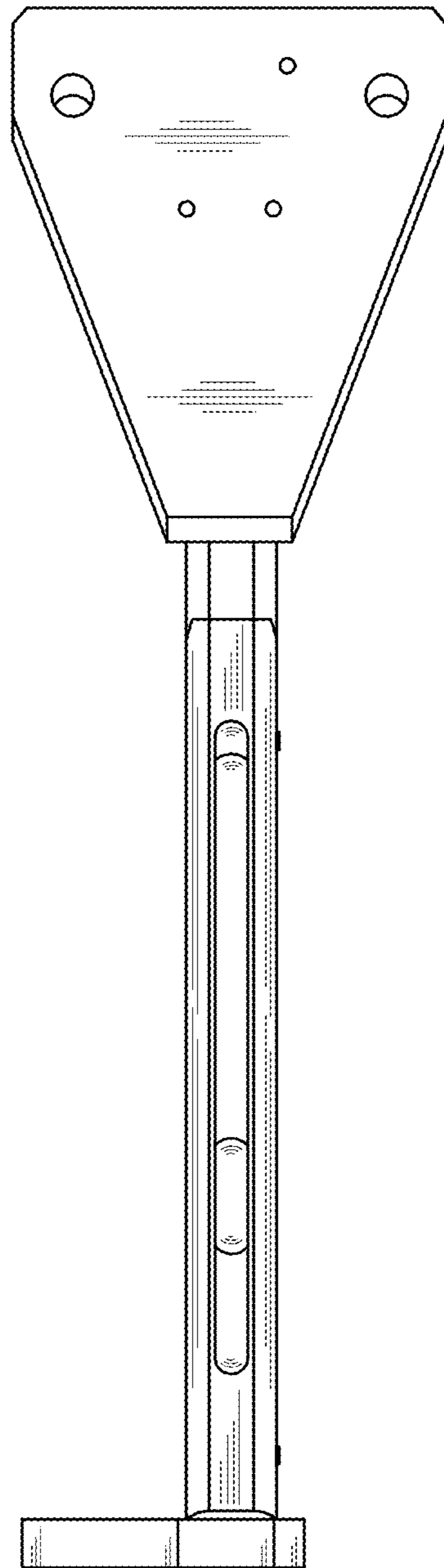


FIG. 2

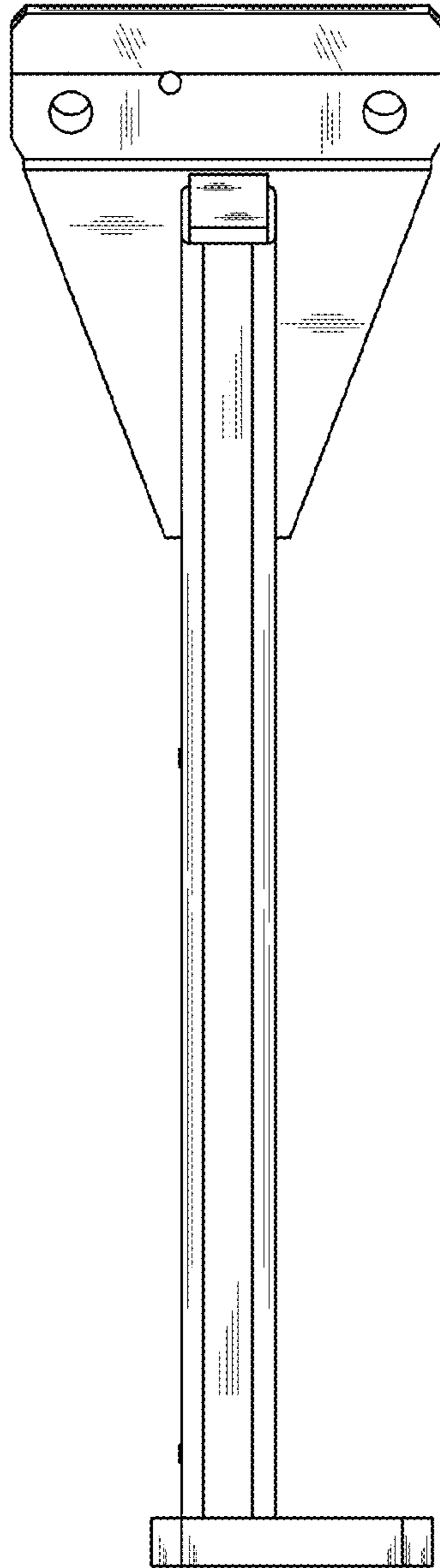


FIG. 3

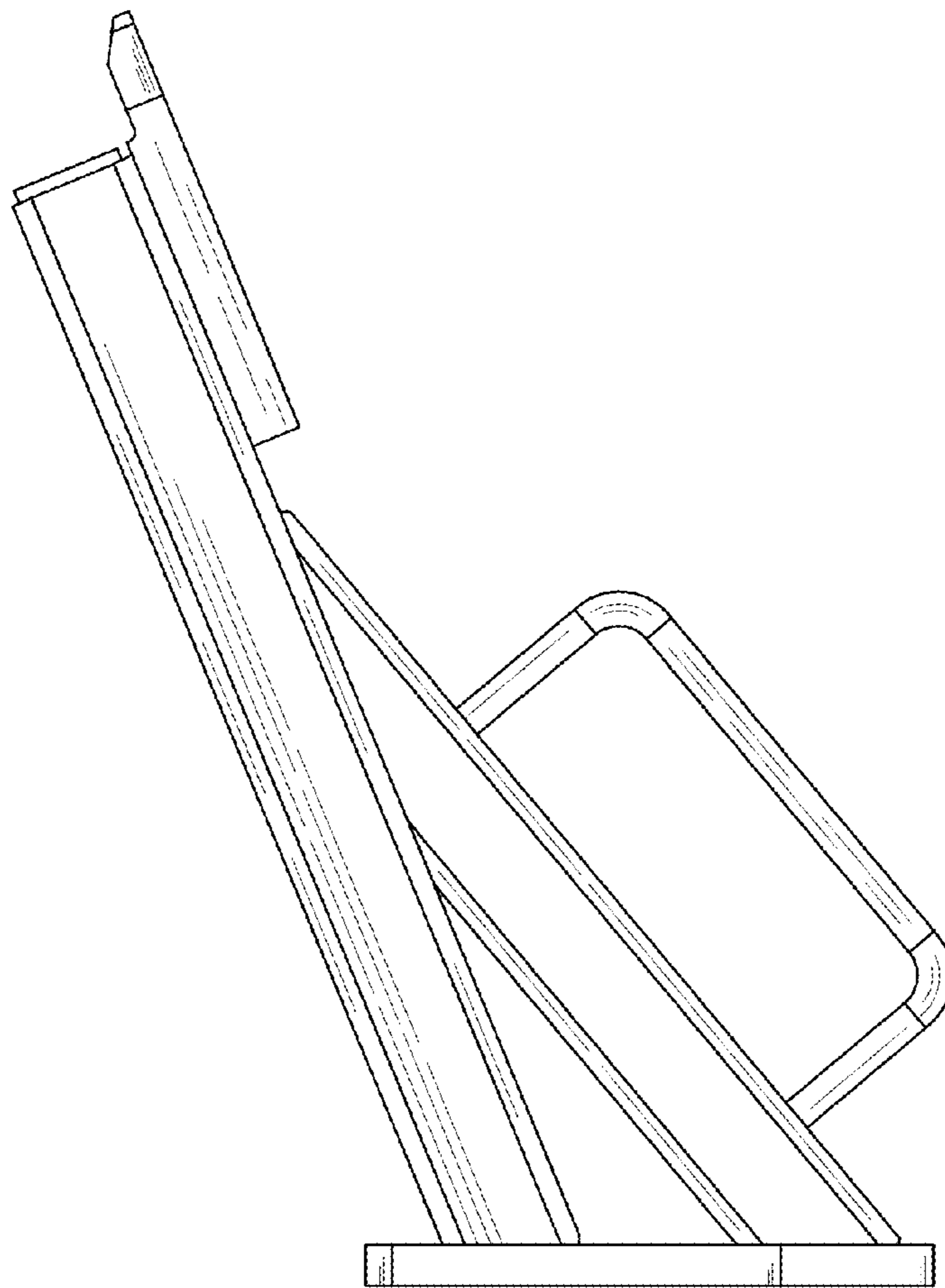


FIG. 4

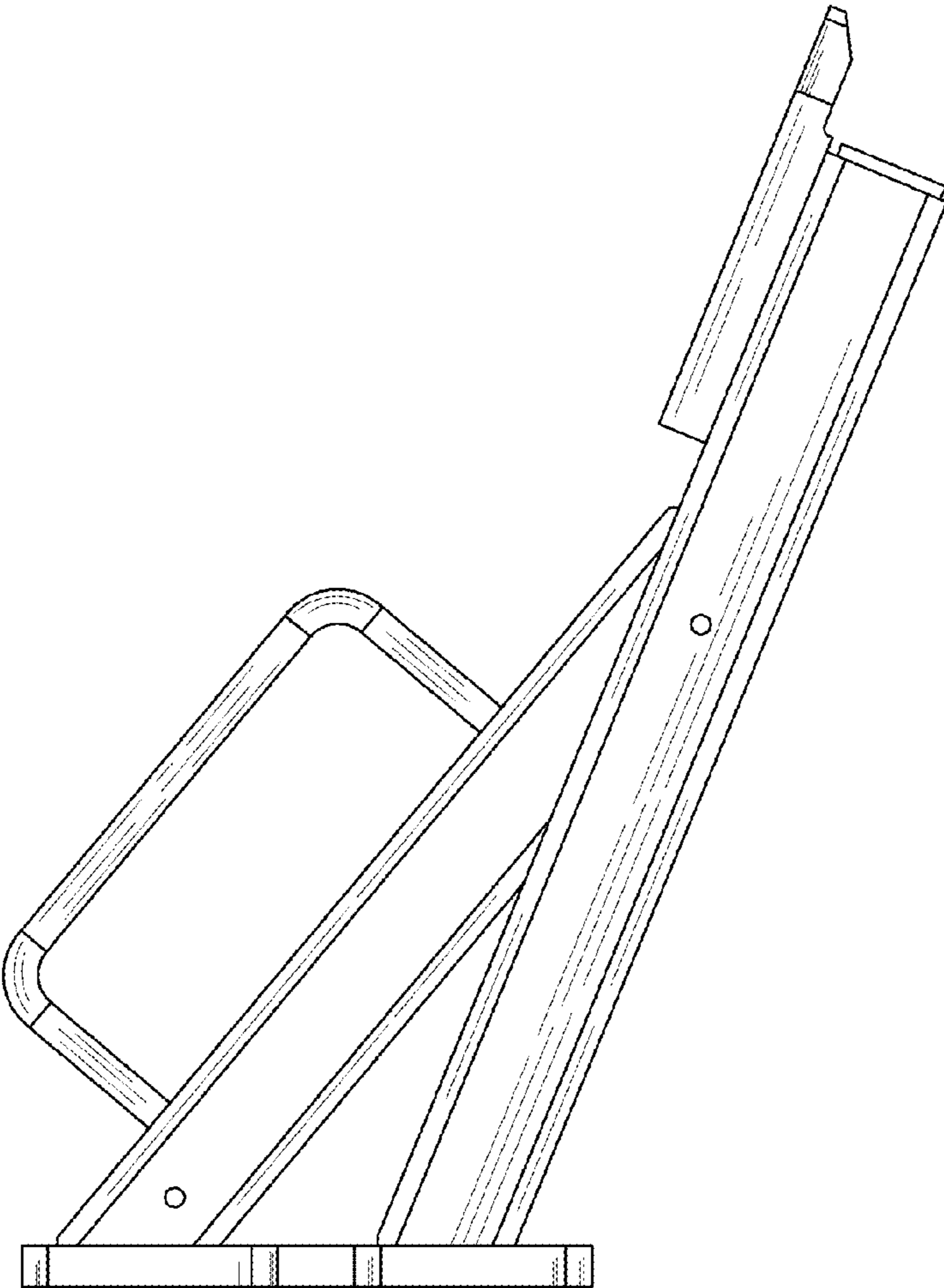


FIG. 5

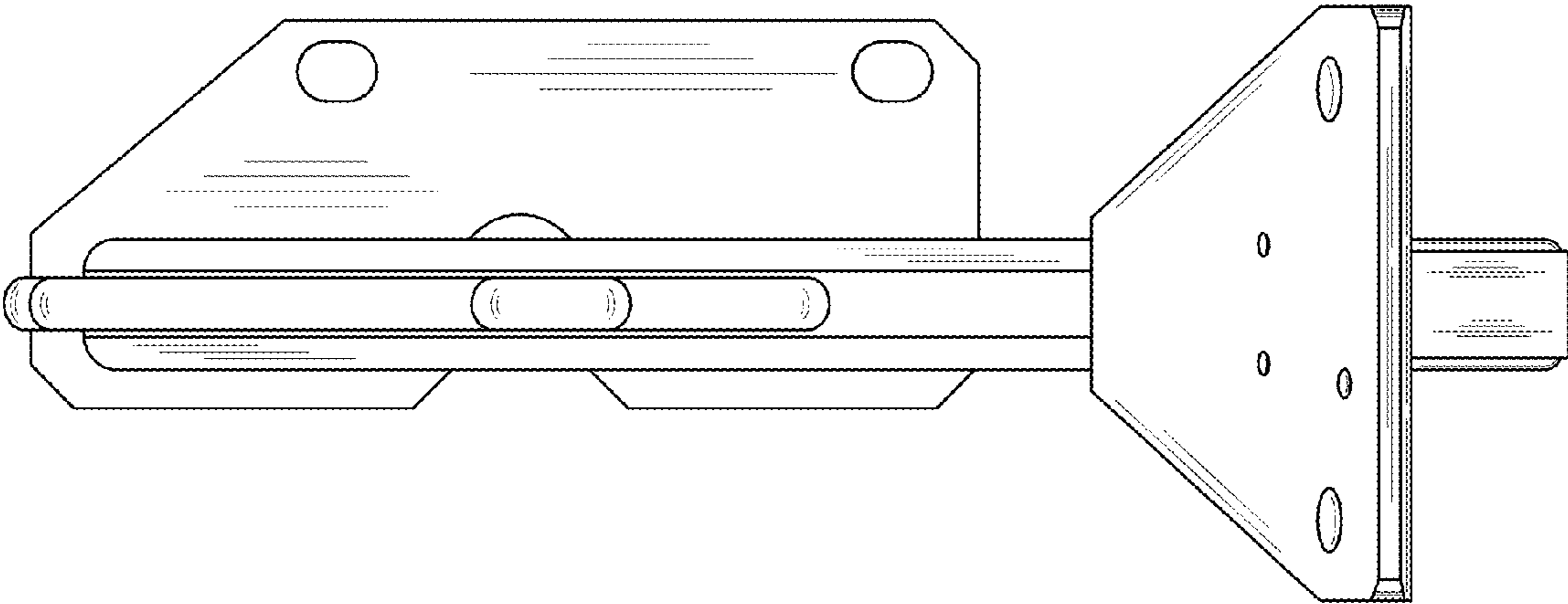


FIG. 6

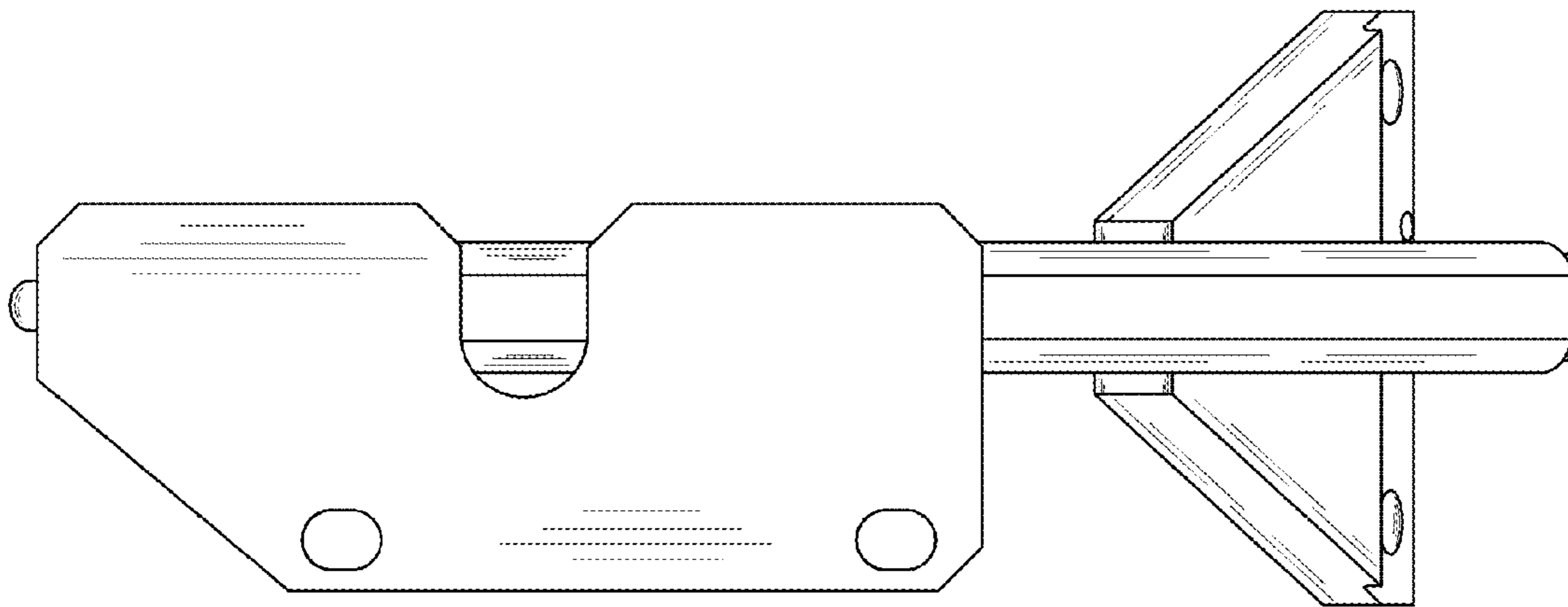


FIG. 7