



US00D736595S

(12) **United States Design Patent**
Moore et al.

(10) **Patent No.:** **US D736,595 S**
(45) **Date of Patent:** **** Aug. 18, 2015**

- (54) **MOUNT CLIP ASSEMBLY**
- (71) Applicant: **Stion Corporation**, San Jose, CA (US)
- (72) Inventors: **Joshua Alexander Moore**, San Jose, CA (US); **Todd G. Brehmer**, San Jose, CA (US); **Robert G. Wieting**, Simi Valley, CA (US)
- (73) Assignee: **Stion Corporation**, San Jose, CA (US)
- (**) Term: **14 Years**
- (21) Appl. No.: **29/451,948**
- (22) Filed: **Apr. 10, 2013**
- (51) **LOC (10) Cl.** **08-08**
- (52) **U.S. Cl.**
USPC **D8/349**; D13/102
- (58) **Field of Classification Search**
USPC D8/349, 354, 355, 363, 364, 372, 373, D8/380, 381, 400, 499; D13/102; D25/119, 121, 123-125; 248/149, 248/222.14, 65
CPC H01L 31/00; H01L 31/02; H01L 31/04; H01L 31/05; H02S 20/00; F24J 2/524; F24J 2/523; F24J 2/525; F16M 13/02; F16L 2/123; B23P 11/00; B23P 17/00; A47B 96/00; A47B 96/06; H02B 1/00
See application file for complete search history.

(56) **References Cited**

U.S. PATENT DOCUMENTS

D318,177 S *	7/1991	Winter	D3/323
D462,601 S *	9/2002	Chaney	D8/354
D547,262 S *	7/2007	Ullman	D13/102
D575,631 S *	8/2008	Huang	D8/354
D699,176 S *	2/2014	Salomon et al.	D13/102

2005/0205728 A1 *	9/2005	Avery	248/149
2010/0276558 A1 *	11/2010	Faust et al.	248/222.14
2013/0248668 A1 *	9/2013	Lu et al.	248/222.14
2015/0052712 A1 *	2/2015	Markiewicz et al.	24/569

OTHER PUBLICATIONS

Harvest Clips frameless module end clip, dated Oct. 30, 2014, [online], [site visited Mar. 24, 2015]. Available from Internet, <URL: http://www.harvestenergysolutions.com/products/harvest_manufacturing/harvest_clips>.*

Harvest frameless module mid clip and end clip installation guide, Manual [online]. Harvest Energy Solutions, [retrieved on Mar. 24, 2015]. dated Feb. 9, 2015, [site visited Mar. 24, 2015]. Retrieved from the Internet: <URL: <http://www.harvestenergysolutions.com/pdfs/pages/54.pdf>>.*

(Continued)

Primary Examiner — Thomas Johannes
Assistant Examiner — Shawn T Gingrich
 (74) *Attorney, Agent, or Firm* — Kilpatrick Townsend & Stockton LLP

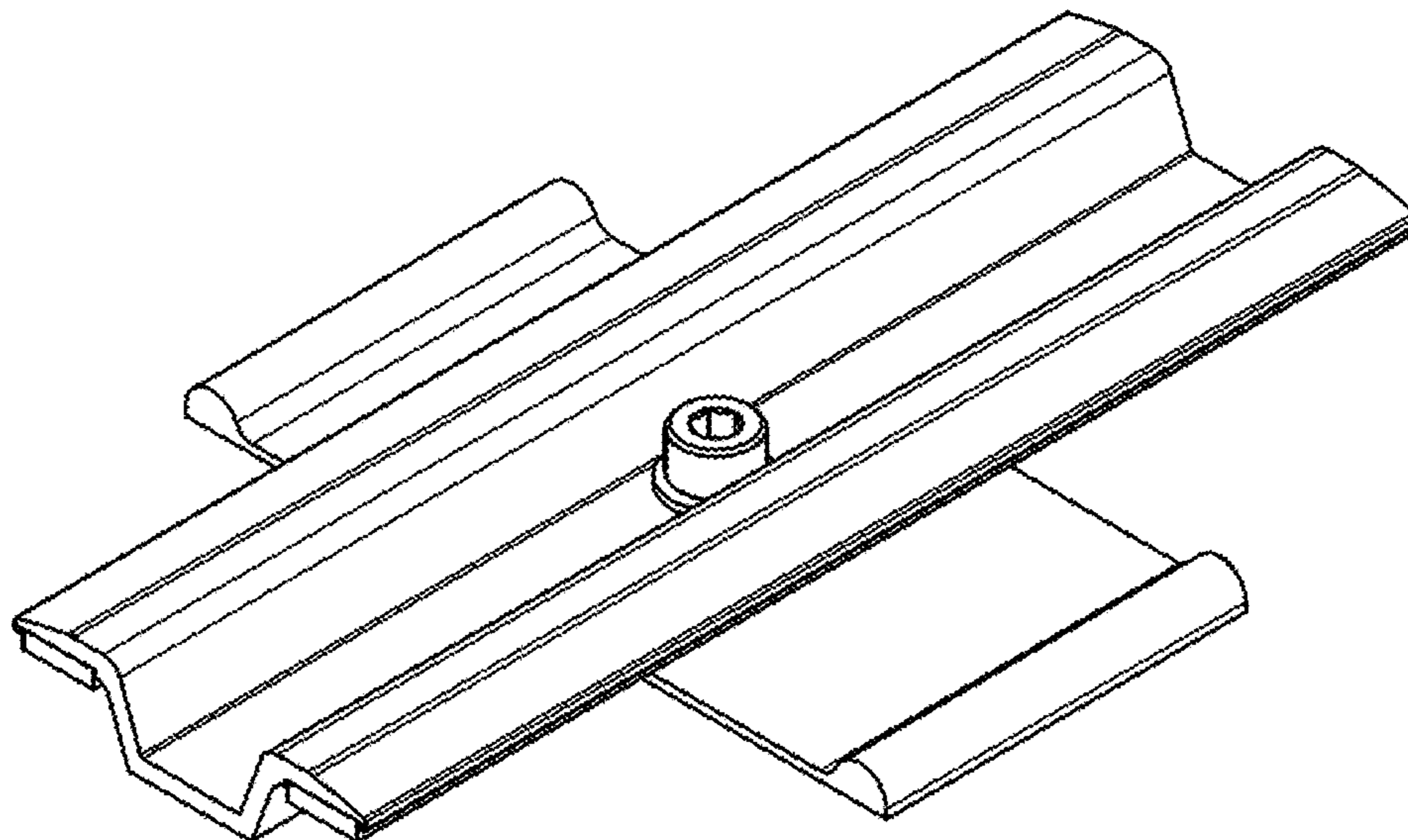
(57) **CLAIM**

The ornamental design for mount clip assembly, as shown and described.

DESCRIPTION

FIG. 1 shows a perspective view of a mount clip assembly showing our new design;
 FIG. 2 is a top plan view thereof;
 FIG. 3 is a bottom plan view thereof;
 FIG. 4 is a left side elevation view thereof;
 FIG. 5 is a right side elevation view thereof;
 FIG. 6 is a front side elevation view thereof; and,
 FIG. 7 is a rear side elevation view thereof.
 The broken lines shown represent unclaimed subject matter and form no part of the claimed design.

1 Claim, 6 Drawing Sheets



(56)

References Cited

OTHER PUBLICATIONS

Solar Mounting System Design guide, Manual[online], Renusol, [retrieved on Mar. 24, 2015] dated Feb. 21, 2013. Retrieved from the Internet: <URL: <http://www.civicsolar.com/sites/default/files/documents/renusolvsdesignguide01-88185.pdf>> pp. 1, 5, 6, 10, 16, 34, 43-50.*

Stion Frameless Module Clamps Installation Instructions. Manual [online]. Stion Corp., [retrieved on Mar. 24, 2015]. Retrieved from the Internet: <URL: <http://www.civicsolar.com/sites/default/files/documents/renusol-stion-frameless-clamp-installation-guide-215857.pdf>> pp. 1, 3-6, 21.*

* cited by examiner

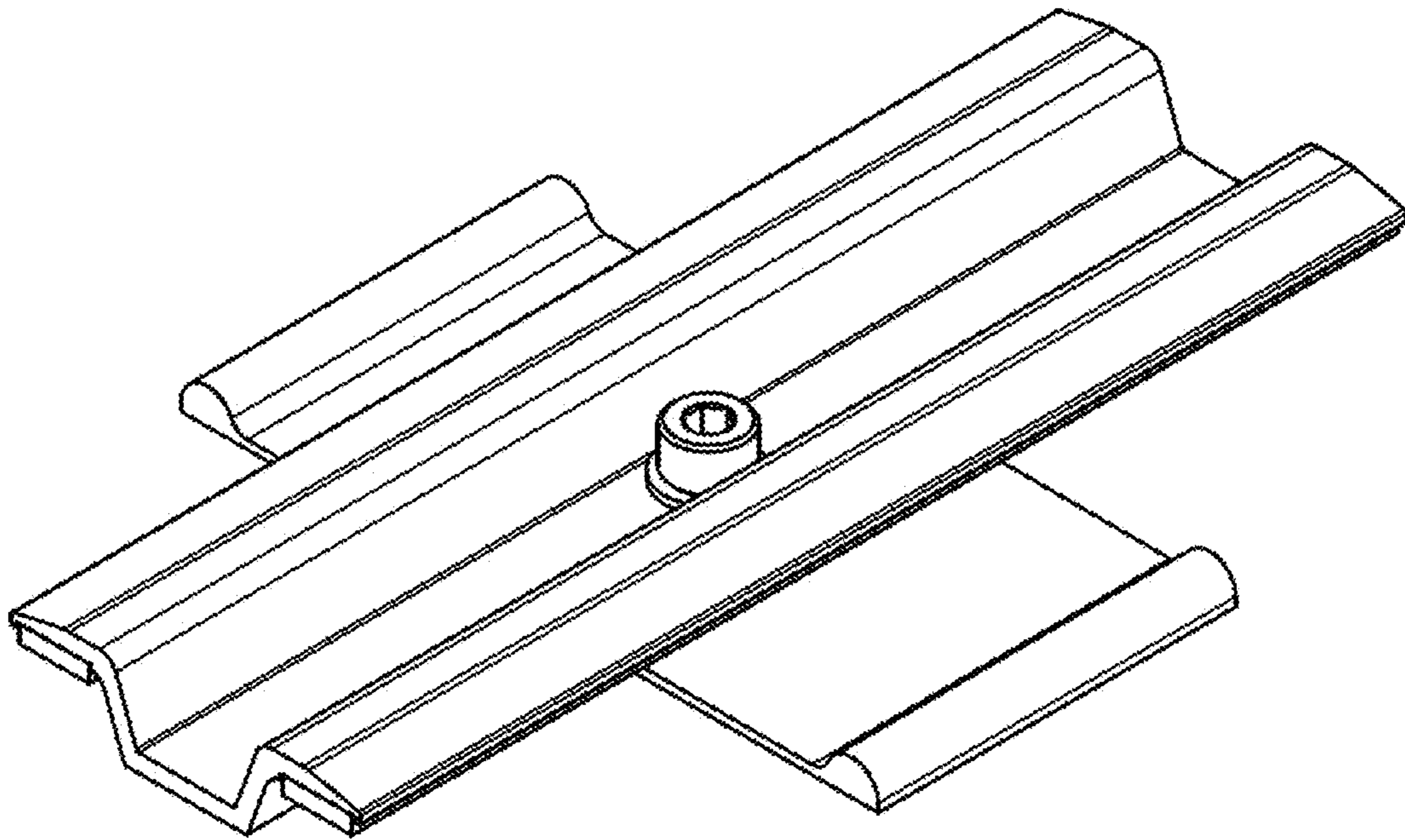


FIG. 1

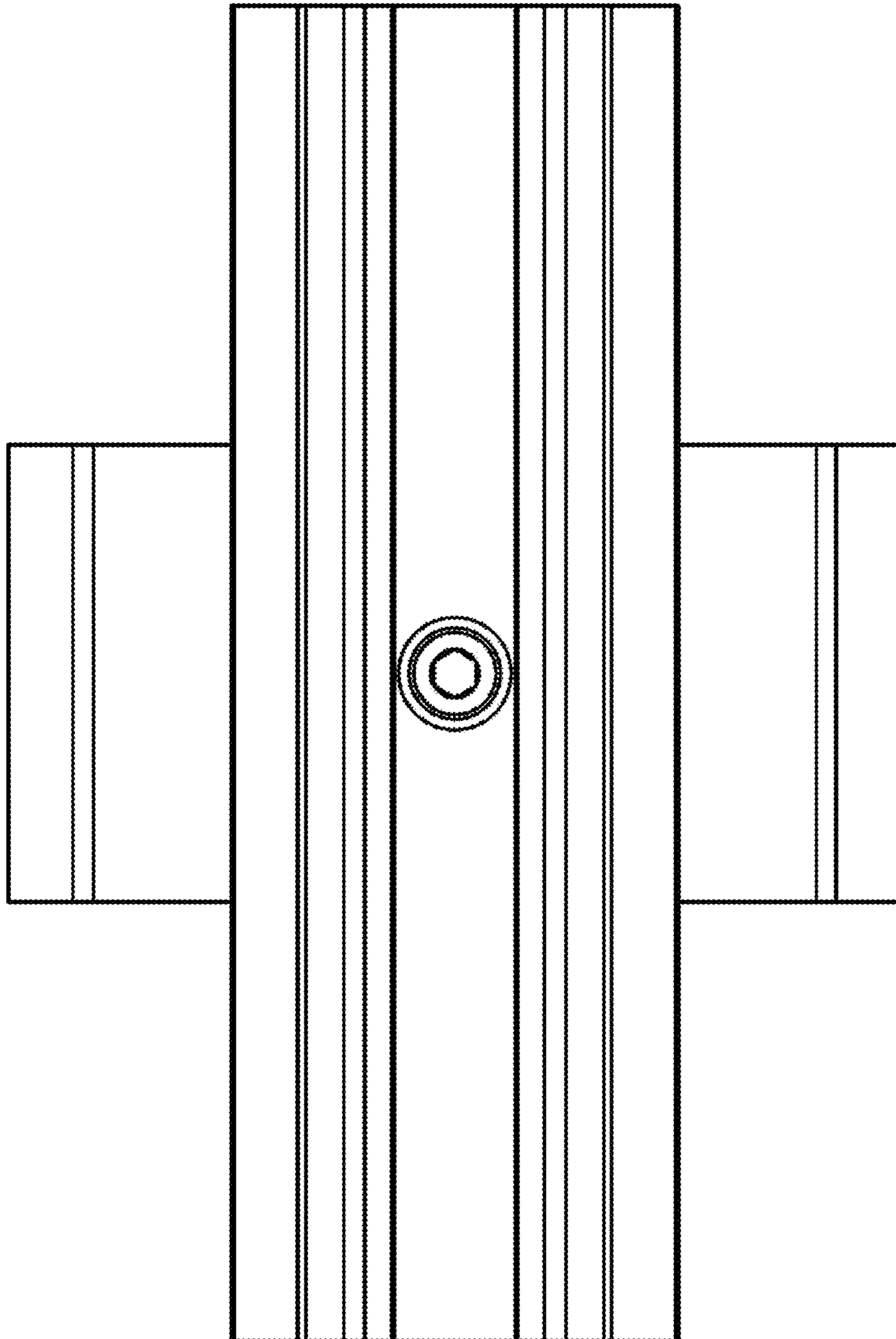


FIG. 2

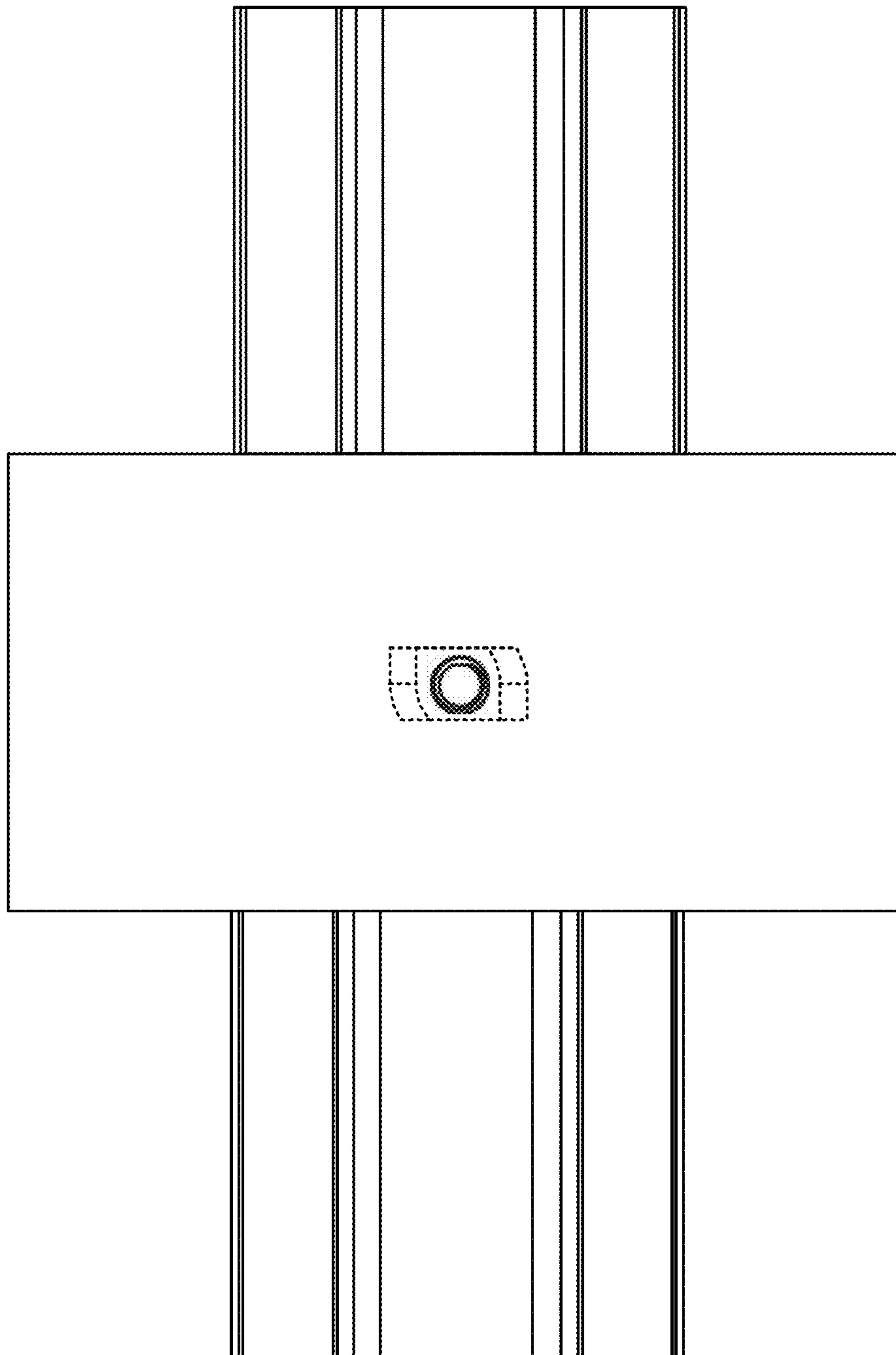


FIG. 3

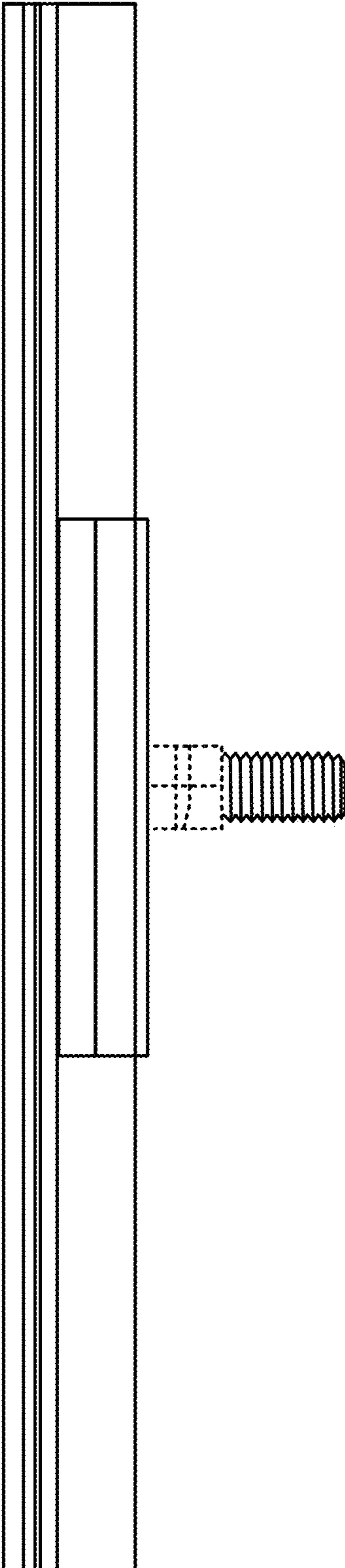


FIG. 4

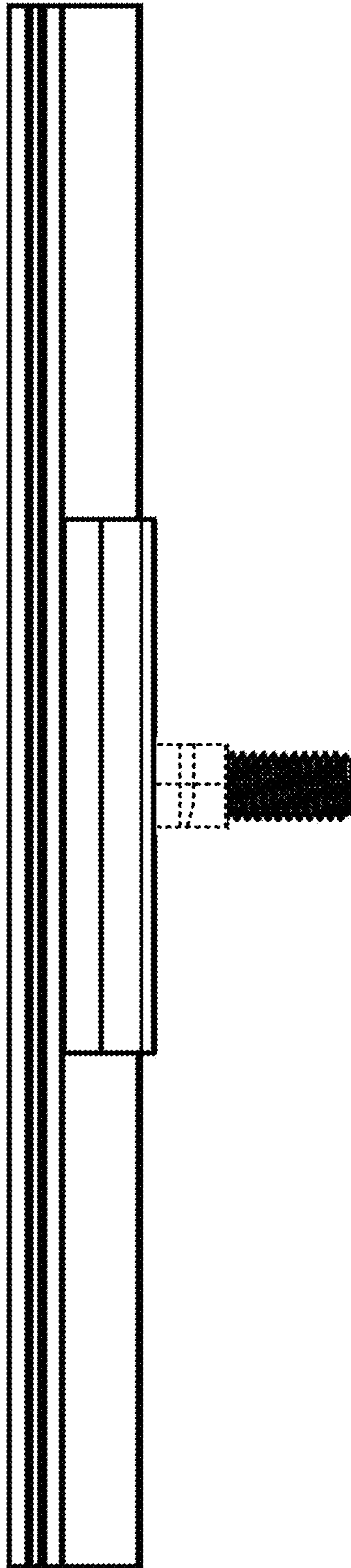


FIG. 5

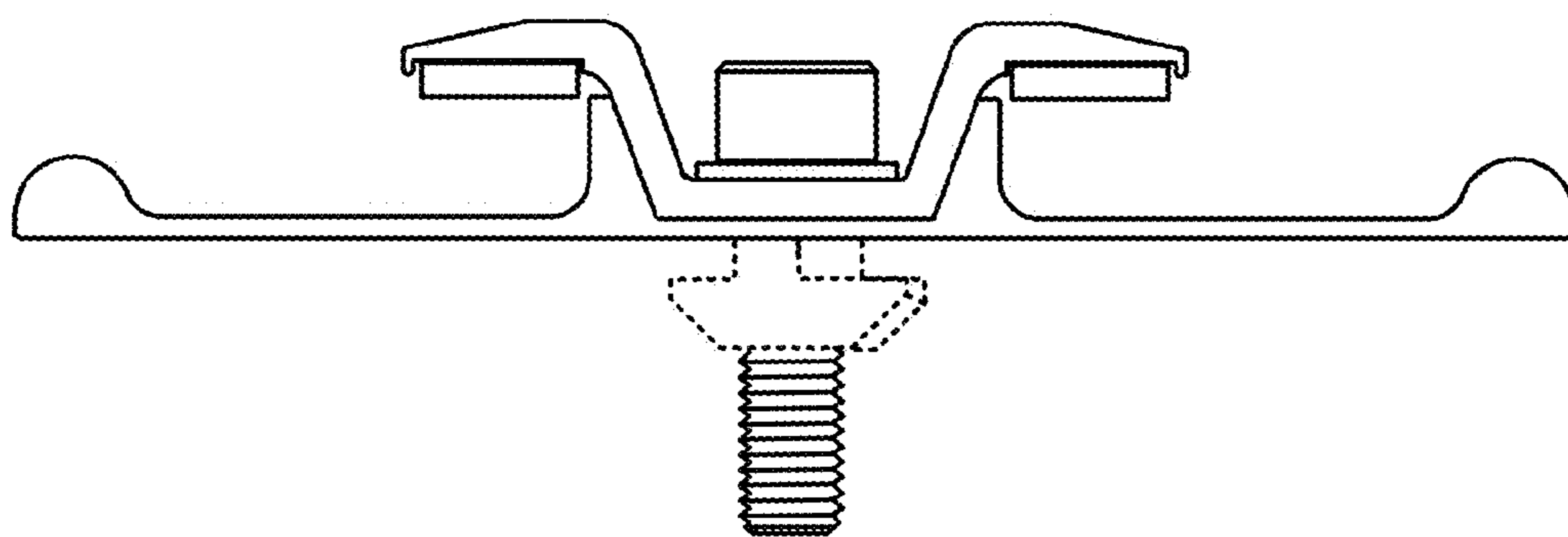


FIG. 6

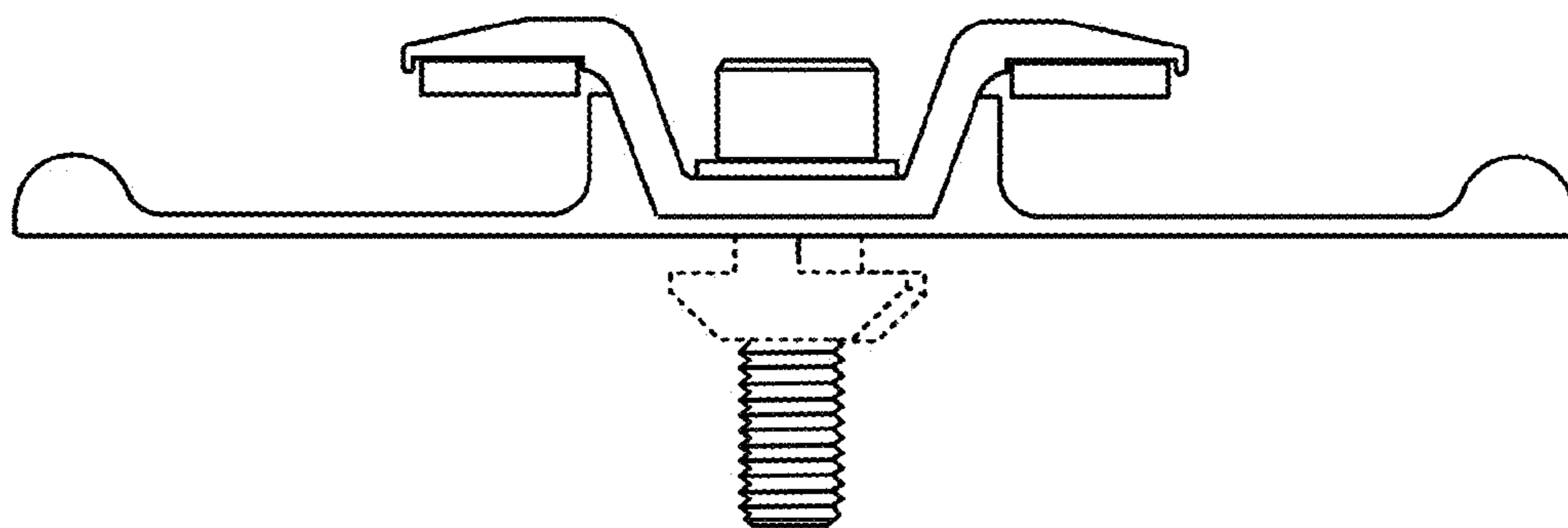


FIG. 7