



US00D736594S

(12) **United States Design Patent**
Zurn et al.

(10) **Patent No.:** **US D736,594 S**
(45) **Date of Patent:** **** Aug. 18, 2015**

(54) **SPACER FOR A MULTI-PANE GLAZING UNIT**

FOREIGN PATENT DOCUMENTS

(71) Applicant: **Cardinal IG Company**, Eden Prairie, MN (US)

CA 1290624 10/1991
CA 2275448 7/1998

(Continued)

(72) Inventors: **Benjamin J. Zurn**, Roseville, MN (US);
Gary R. Matthews, Des Plaines, IL (US);
John Brian Shero, Savage, MN (US)

OTHER PUBLICATIONS

U.S. Appl. No. 13/713,984, filed Dec. 13, 2012, "Glazing Unit Spacer Technology", 18 pages.

(Continued)

(73) Assignee: **Cardinal IG Company**, Eden Prairie, MN (US)

Primary Examiner — Mark Goodwin

(74) *Attorney, Agent, or Firm* — Fredrikson & Byron, P.A.

(**) Term: **14 Years**

(57) **CLAIM**

We claim the ornamental design for a spacer for a multi-pane glazing unit, as shown and described.

(21) Appl. No.: **29/439,679**

DESCRIPTION

(22) Filed: **Dec. 13, 2012**

(51) **LOC (10) Cl.** **08-05**

(52) **U.S. Cl.**
USPC **D8/349**

(58) **Field of Classification Search**
USPC D8/349, 354, 366, 369, 371, 400;
428/34; 52/786.13, 204.593
See application file for complete search history.

FIG. 1 is a perspective view of a section of a spacer for a multi-pane glazing unit according to one embodiment of our design.

FIG. 2 is a top plan view thereof.

FIG. 3 is a cross-sectional view thereof, taken along lines 3-3 in FIG. 2.

FIG. 4 is a cross-sectional view thereof, taken along lines 4-4 in FIG. 2.

FIG. 5 is a cross-sectional view thereof, taken along lines 5-5 in FIG. 2.

FIG. 6 is a cross-sectional view thereof, taken along lines 6-6 in FIG. 2.

FIG. 7 is a bottom plan view thereof.

FIG. 8 is a left-side elevational view thereof.

FIG. 9 is a right-side elevational view thereof; and,

FIG. 10 is a cross-sectional view thereof, taken along lines 3-3 in FIG. 2, and wherein said spacer is shown in its environment during use, incorporated into a multi-pane glazing unit.

Where included, broken lines showing environment or structure are for illustrative purposes only and form no part of the claimed design.

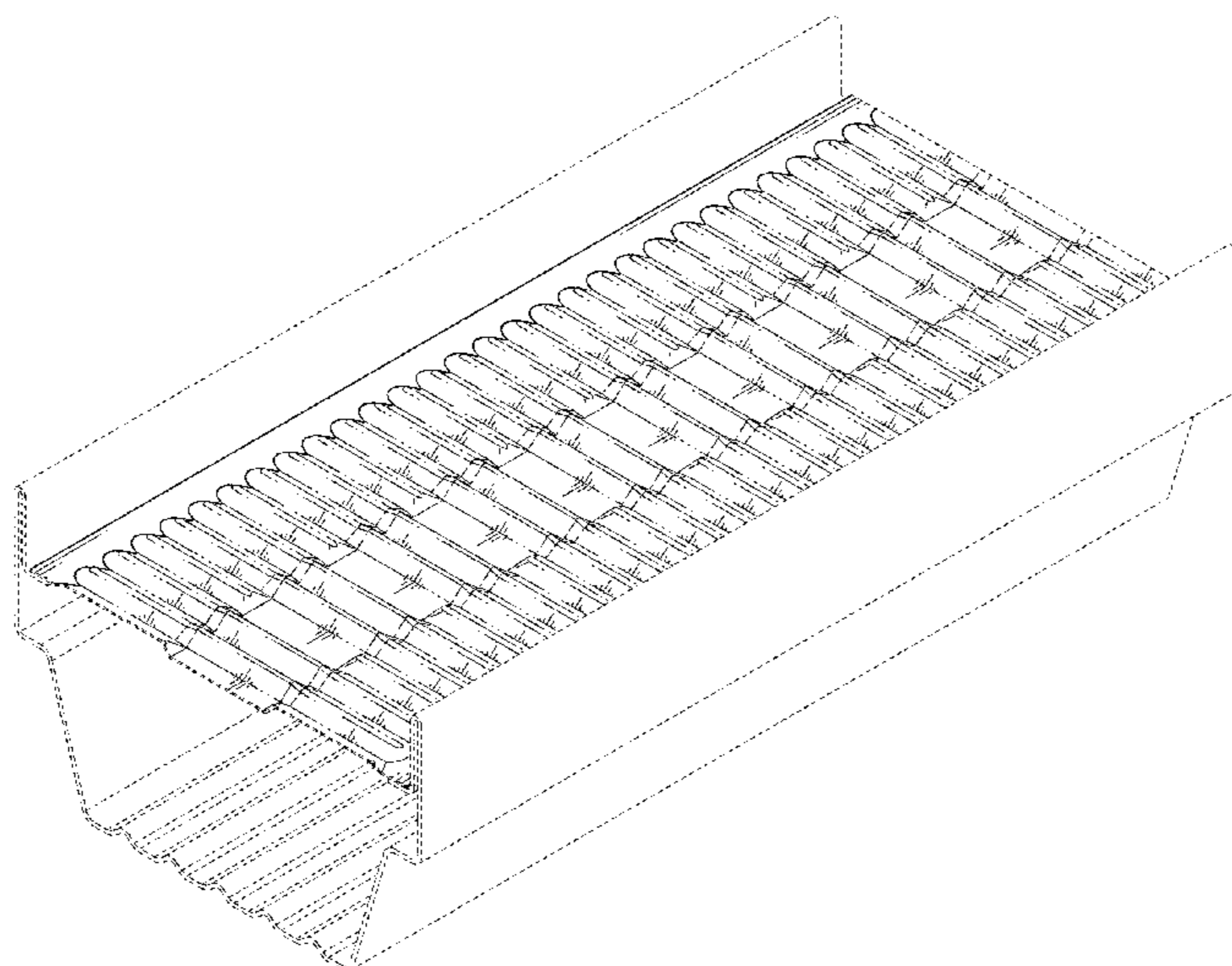
(56) **References Cited**

U.S. PATENT DOCUMENTS

32,436 A	5/1861	Scofield
367,236 A	7/1887	Einhaedt
423,704 A	3/1890	Simpson
767,883 A	8/1904	Grafton
1,015,429 A	1/1912	Fahrney
1,018,399 A	2/1912	Livingston
1,310,206 A	7/1919	Mowat
1,425,207 A	8/1922	Milner
1,617,069 A	2/1927	McLaughlin
2,235,680 A	3/1941	Haven
2,251,967 A	8/1941	Yoder

(Continued)

1 Claim, 9 Drawing Sheets



(56)

References Cited

U.S. PATENT DOCUMENTS

2,597,097 A	5/1952	Haven	5,377,473 A	1/1995	Narayan
2,618,819 A	11/1952	Goodwillie	5,439,716 A	8/1995	Larsen
2,684,266 A	7/1954	Englehart	5,443,871 A	8/1995	Lafond
2,708,774 A	5/1955	Seelen	5,460,862 A	10/1995	Roller
2,723,427 A	11/1955	Bobel	5,466,534 A	11/1995	Newby
2,833,031 A	5/1958	Flumerfelt	5,487,937 A	1/1996	Newby
2,838,809 A	6/1958	Zeolla	5,512,341 A	4/1996	Newby
2,838,810 A	6/1958	Englehart	5,553,440 A	9/1996	Bulger
3,027,608 A	4/1962	Ryan	5,560,731 A	10/1996	Kronenberg
3,030,673 A	4/1962	London	5,567,258 A	10/1996	Lee
3,045,297 A	7/1962	Ljungdahl	5,568,714 A	10/1996	Peterson
3,105,274 A	10/1963	Armstrong	5,581,971 A	12/1996	Peterson
3,143,009 A	8/1964	Joachim	5,617,699 A	4/1997	Thompson
3,280,523 A	10/1966	Stroud	5,630,306 A	5/1997	Wylie
3,367,161 A	2/1968	Avakian	5,644,894 A	7/1997	Hudson
3,474,513 A	10/1969	Allingham	5,658,645 A	8/1997	Lafond
3,606,720 A *	9/1971	Cookson 52/714	5,713,177 A	2/1998	Peterson
3,758,996 A	9/1973	Bowser	5,759,665 A	6/1998	Lafond
3,820,295 A *	6/1974	Folley 52/270	5,813,191 A	9/1998	Gallagher
3,839,137 A	10/1974	Davis	5,819,499 A	10/1998	Evason
3,842,647 A	10/1974	Knudson	5,851,609 A	12/1998	Baratuci
3,921,359 A	11/1975	Brichard	5,890,289 A	4/1999	Guillemet
3,956,998 A	5/1976	Bavetz	5,962,090 A	10/1999	Trautz
3,971,243 A	7/1976	Jones	6,035,602 A	3/2000	Lafond
3,981,111 A	9/1976	Berthagen	6,038,825 A	3/2000	Shah
4,027,517 A	6/1977	Bodnar	6,061,994 A	5/2000	Goer
4,057,944 A	11/1977	Wyatt, Jr.	6,115,989 A	9/2000	Boone
4,057,945 A	11/1977	Kessler	6,131,364 A	10/2000	Peterson
4,080,482 A	3/1978	Lacombe	6,197,129 B1	3/2001	Zhu
4,098,722 A	7/1978	Cairns	6,266,940 B1	7/2001	Reichert
4,113,905 A	9/1978	Kessler	6,289,641 B1	9/2001	McCandless
4,222,209 A	9/1980	Peterson	6,351,923 B1	3/2002	Peterson
4,222,213 A	9/1980	Kessler	6,355,328 B1	3/2002	Baratuci
4,233,833 A	11/1980	Balinski	6,370,838 B1	4/2002	Evason
4,241,146 A	12/1980	Sivachenko	6,415,561 B2	7/2002	Thompson
4,261,145 A	4/1981	Brocking	6,490,778 B1 *	12/2002	Funatsu et al. 29/557
4,322,926 A	4/1982	Wolflingseder	6,497,130 B2	12/2002	Nilsson
4,400,338 A	8/1983	Rundo	6,581,341 B1	6/2003	Baratuci
4,431,691 A	2/1984	Greenlee	6,737,129 B2	5/2004	Bayer
4,450,706 A	5/1984	Engelmohr	6,823,644 B1	11/2004	Peterson
4,453,855 A	6/1984	Richter	6,877,292 B2	4/2005	Baratuci
4,468,905 A	9/1984	Cribben	6,989,188 B2	1/2006	Brunnhofer
4,499,703 A	2/1985	Rundo	7,011,893 B2 *	3/2006	Hodgson et al. 428/593
4,530,195 A	7/1985	Leopold	7,043,881 B2	5/2006	Krause
4,536,424 A	8/1985	Laurent	7,076,927 B2 *	7/2006	Trpkovski 52/204.5
4,551,364 A	11/1985	Davies	7,107,729 B2	9/2006	Baratuci
4,567,710 A	2/1986	Reed	7,132,151 B2	11/2006	Rasmussen
4,576,841 A	3/1986	Lingemann	D575,139 S *	8/2008	LePoire et al. D8/349
4,658,553 A	4/1987	Shinagawa	7,445,682 B2	11/2008	James
4,683,634 A	8/1987	Cole	7,493,739 B2	2/2009	Baratuci
4,719,728 A	1/1988	Eriksson	D600,533 S *	9/2009	Cole et al. D8/349
4,720,950 A	1/1988	Bayer	7,628,562 B2 *	12/2009	Annes 403/329
4,753,096 A	6/1988	Wallis	7,743,584 B2	6/2010	Reichert
4,762,743 A	8/1988	Von Alven	7,757,455 B2	7/2010	Gallagher
4,770,018 A	9/1988	Bosl	7,827,760 B2	11/2010	Brunnhofer
4,791,773 A	12/1988	Taylor	7,827,761 B2	11/2010	Buchanan
4,808,452 A	2/1989	McShane	7,856,791 B2	12/2010	Rosskamp
4,831,799 A	5/1989	Glover	7,908,820 B2	3/2011	Catalano
4,835,130 A	5/1989	Box	8,114,488 B2	2/2012	Alvarez
4,835,926 A	6/1989	King	8,123,283 B2 *	2/2012	Edwards et al. 296/183.1
4,850,175 A	7/1989	Berdan	8,151,542 B2	4/2012	Trpkovski
4,862,666 A	9/1989	Kero	8,181,499 B2	5/2012	Ingvarsson
4,881,355 A *	11/1989	Bosl et al. 52/506.07	8,586,193 B2 *	11/2013	Rapp et al. 428/600
4,994,309 A	2/1991	Reichert	8,622,115 B2	1/2014	Seebald
4,998,392 A	3/1991	Massarelli	8,789,343 B2 *	7/2014	Zurn et al. 52/786.13
5,079,054 A	1/1992	Davies	2001/0001357 A1	5/2001	Reichert
5,080,146 A	1/1992	Arasteh	2004/0079047 A1	4/2004	Peterson
5,087,489 A	2/1992	Lingemann	2005/0166546 A1	8/2005	Reichert
5,088,258 A	2/1992	Schild	2006/0037262 A1	2/2006	Siebert
5,120,584 A	6/1992	Ohlenforst	2006/0104710 A1	5/2006	Lafond
5,144,780 A	9/1992	Gieling	2007/0227097 A1	10/2007	Gallagher
5,209,034 A	5/1993	Box	2008/0053037 A1	3/2008	Gallagher
5,209,599 A	5/1993	Kronenberg	2009/0120018 A1	5/2009	Trpkovski
5,295,292 A	3/1994	Leopold	2009/0120019 A1	5/2009	Trpkovski
5,313,762 A	5/1994	Guillemet	2009/0120035 A1	5/2009	Trpkovski
			2009/0123694 A1	5/2009	Trpkovski
			2010/0031591 A1	2/2010	Gallagher
			2010/0065580 A1	3/2010	McGlinchy
			2010/0255224 A1	10/2010	Gubbels

(56)

References Cited

U.S. PATENT DOCUMENTS

2011/0104512 A1 5/2011 Rapp
 2011/0296796 A1 12/2011 Lenhardt
 2011/0303349 A1 12/2011 Nieminen
 2012/0141699 A1 6/2012 Mader
 2012/0151857 A1 6/2012 Heikkila et al.
 2013/0042552 A1 2/2013 Trpkovski
 2013/0047404 A1 2/2013 Nieminen
 2014/0109499 A1 4/2014 Nieminen et al.

FOREIGN PATENT DOCUMENTS

CA 2314053 A1 1/2001
 CA 2502069 9/2006
 CA 2303464 5/2007
 CA 2518821 7/2011
 CA 2725881 1/2013
 DE 6903785 10/1969
 DE 1904907 8/1970
 DE 2152071 2/1973
 DE 7322123 U 2/1974
 DE 2356544 5/1975
 DE 8204453 7/1982
 DE 3529434 A1 2/1986
 DE 3529403 4/1986
 DE 4101277 7/1992
 DE 29506746 U1 7/1995
 DE 19642669 3/1998
 DE 20014789 U1 11/2000
 DE 10011759 9/2001
 DE 20200349 U1 5/2003
 EP 0054251 2/1985
 EP 0139262 12/1987
 EP 0268886 1/1994
 EP 0500483 8/1995
 FR 2276450 1/1976
 FR 2525314 10/1983
 GB 2064631 A 6/1981
 GB 2181773 A 4/1987
 WO 8402482 A 7/1984
 WO 8907495 A 8/1989
 WO 9923339 A 5/1999
 WO WO2004009944 1/2004
 WO 2011008860 A 1/2011
 WO 2011091986 A 8/2011
 WO 2011131700 A 10/2011

OTHER PUBLICATIONS

U.S. Trademark Application No. 85/803,270 filed Dec. 14, 2012.

U.S. Trademark Application No. 85/803,257 filed Dec. 14, 2012.
 Insulating Glass Production, Glass Digest, May 15, 1994.
 English-language abstract for DE20200349.
 English-language abstract for DE29506746.
 English-language abstract for DE20014789.
 English-language abstract for DE3529434.
 English-language abstract for DE7322123.
 Machine translation of German Patent No. DE8204453.
 Machine translation of German Patent No. DE2356544.
 English-language abstract for FR2276450.
 English-language abstract for DE10011759.
 English-language abstract for DE1904907.
 English-language abstract for DE19642669.
 English-language abstract for DE2152071.
 English-language abstract for DE3529403.
 English-language abstract for DE4101277.
 English-language abstract for DE6903785.
 English-language abstract for FR2525314.
 English-language abstract for EP0054251.
 English-language abstract for EP0500483.
 Allmetal, Inc. Drawing PPD101024102011XXE, Oct. 22, 1993.
 Allmetal, Inc. Drawing Stainless Steel Products, Aug. 19, 1994.
 Allmetal, "Aluminum Air Spacer," <http://www.allmetalinc.com/AirSpacers/Aluminum/Default.aspx>, 1 page.
 Efficient Windows Collaborative, "Window Technologies: Low Conductance Spacers," <http://www.efficientwindows.org/spacers.php>, 2 pages.
 Quanex, "Rigid Spacers," <https://www.quanex.com/Products/Insulating-Glass-Systems/Single-Seal-Spacers/Rigid-Spacers.aspx>, 1 page.
 Quanex, "Duraseal," <https://www.quanex.com/Products/Insulating-Glass-Systems/Single-Seal-Spacers/Duraseal.aspx>, 1 page.
 Quanex, "Dual Seal Spacers," <https://www.quanex.com/Products/Insulating-Glass-Systems/Dual-Seal-Spacers.aspx>, 1 page.
 Swisspacer, "Warm Edge," <http://www.swisspacer.com/en/knowledge-centre/warm-edge>, 2 pages.
 Technoform Glass Insulation, "What is Warm Edge," <http://www.tgi-spacer.com>, 1 page.
 GED Integrated Solutions, "The Intercept Spacer System Is Always Your Best Choice," Window & Door, vol. 15, No. 2, Feb. 2007, 1 page.
 Truseal.Com, "There is More Metal in Your CD Collection," Window & Door, vol. 15, No. 2, Feb. 2007, 1 page.
 Technoform, "Technoform's I-Spacer," Window & Door, vol. 15, No. 9, Oct. 2007, p. 96.
 Alumet MFG., INC., "Structural Warm-Edge Stainless Spacer for High Rise Buildings," Window & Door, vol. 16, No. 2, Feb. 2008, back cover, 1 page.

* cited by examiner

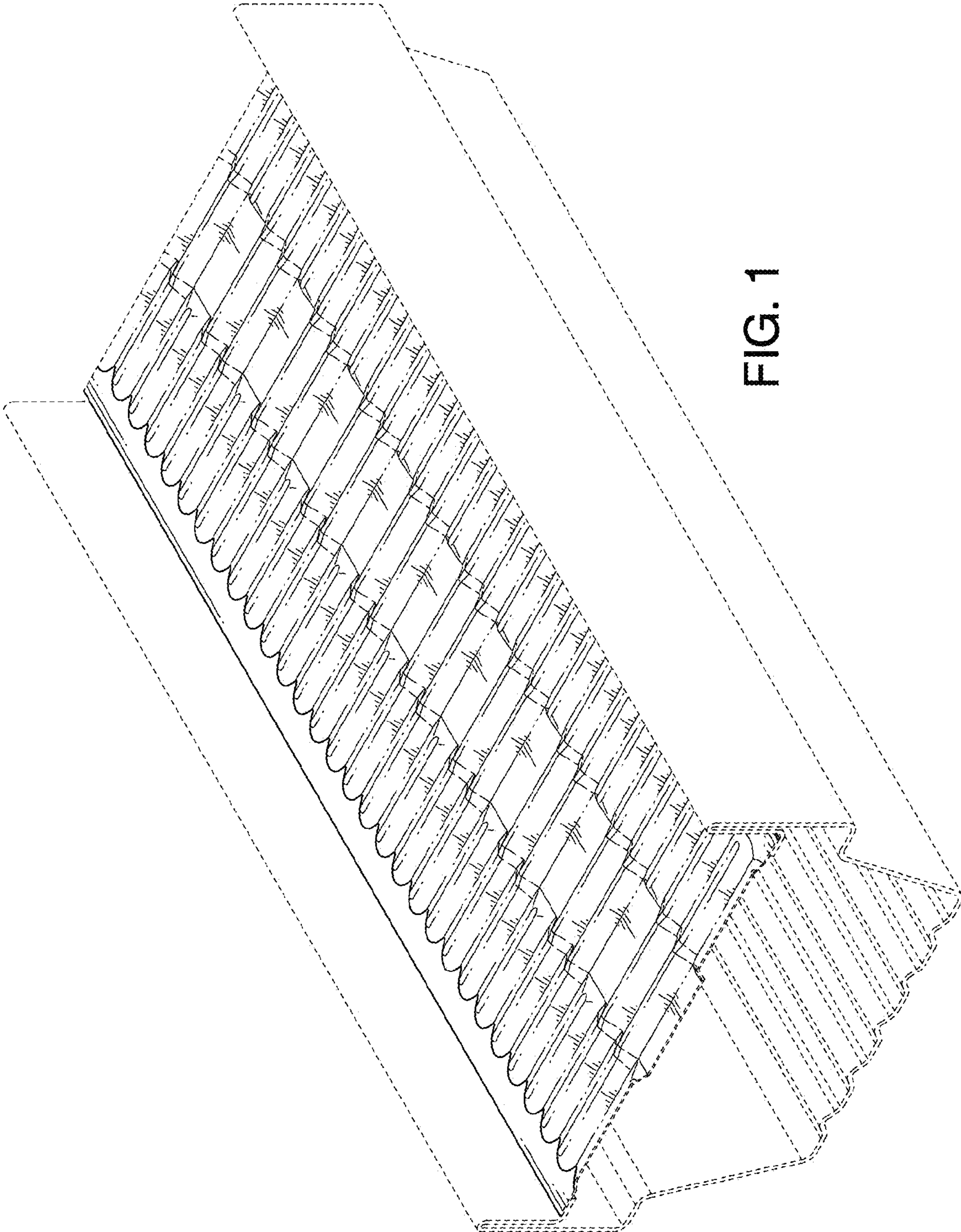


FIG. 1

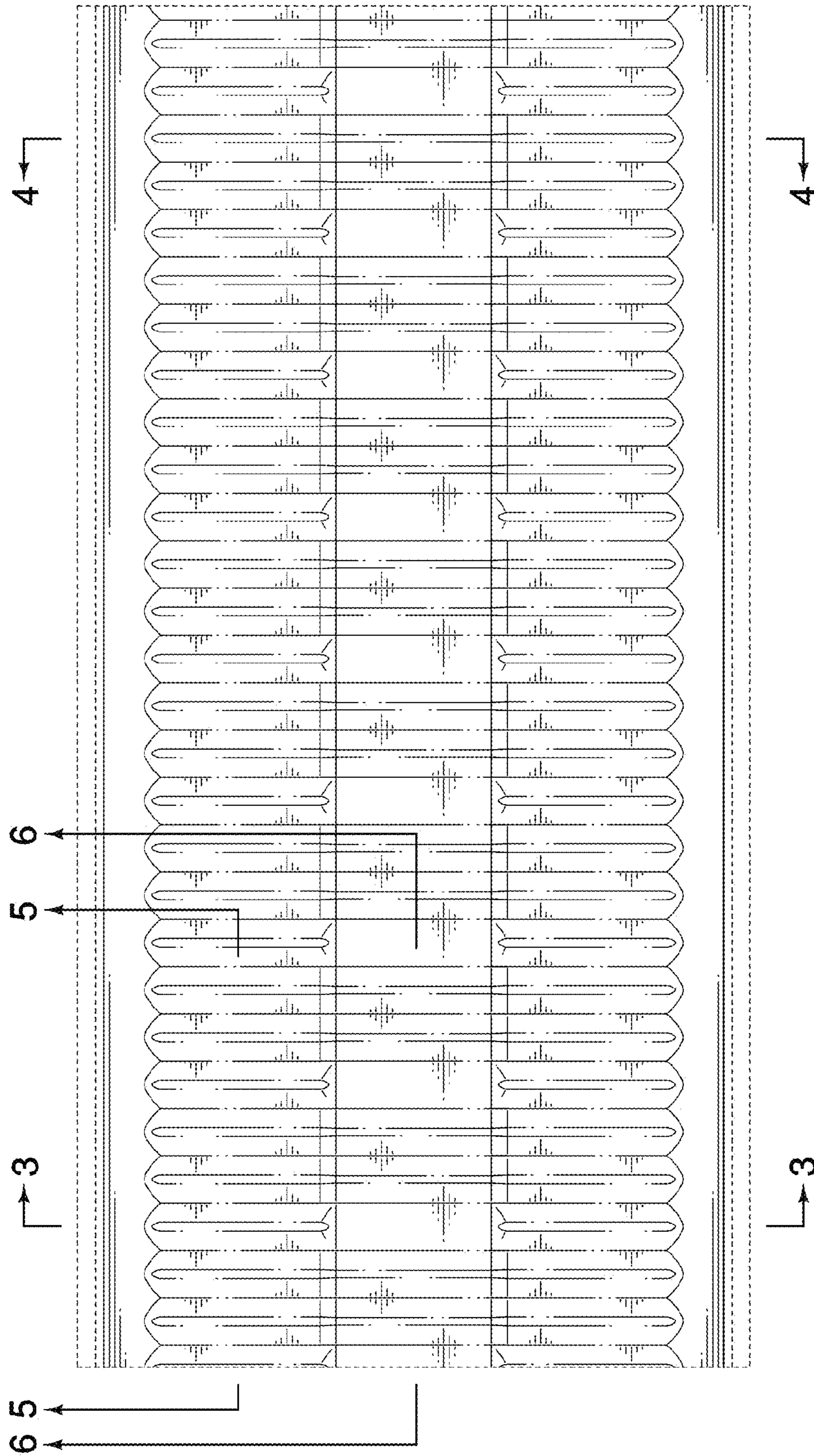


FIG. 2

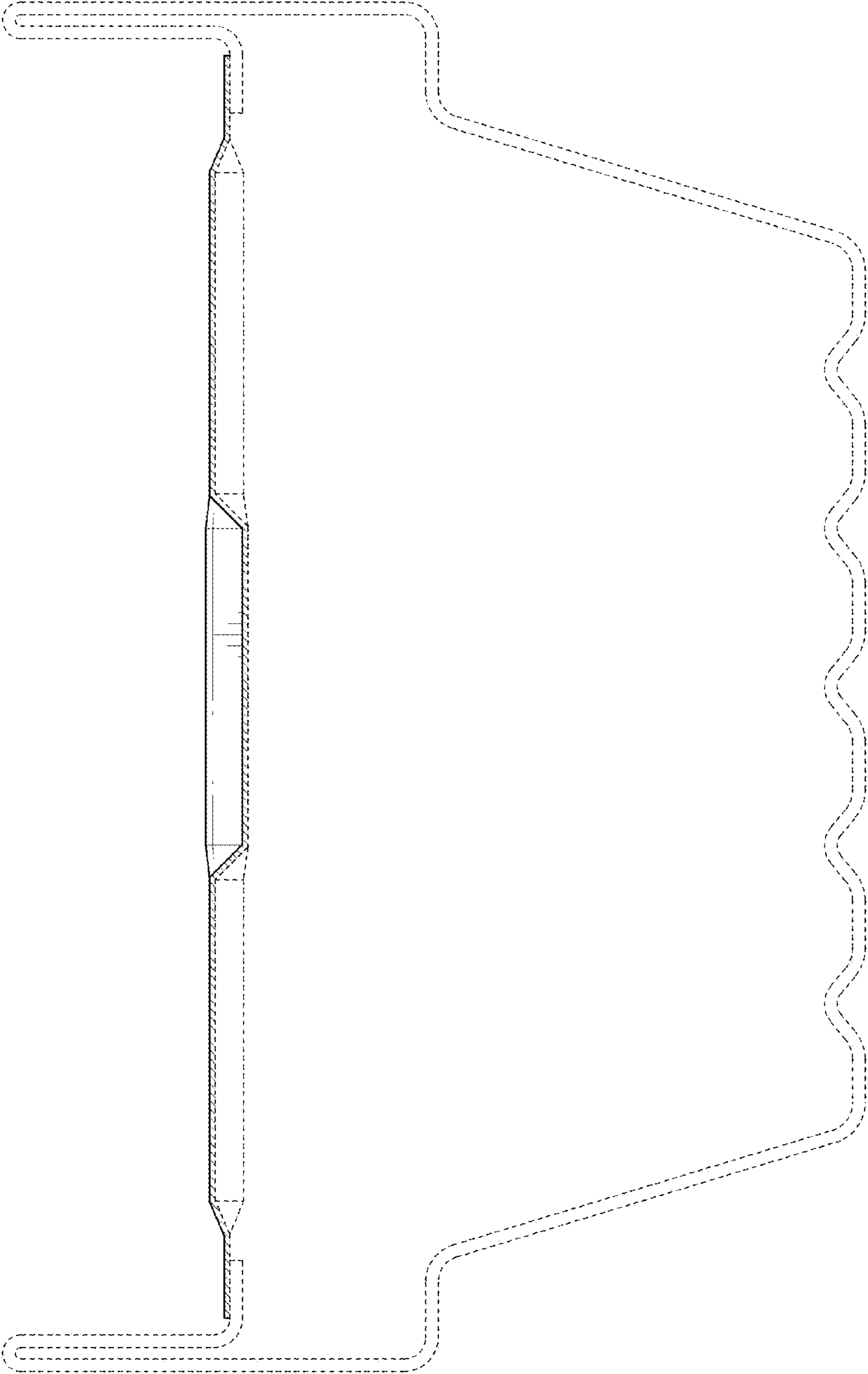


FIG. 3

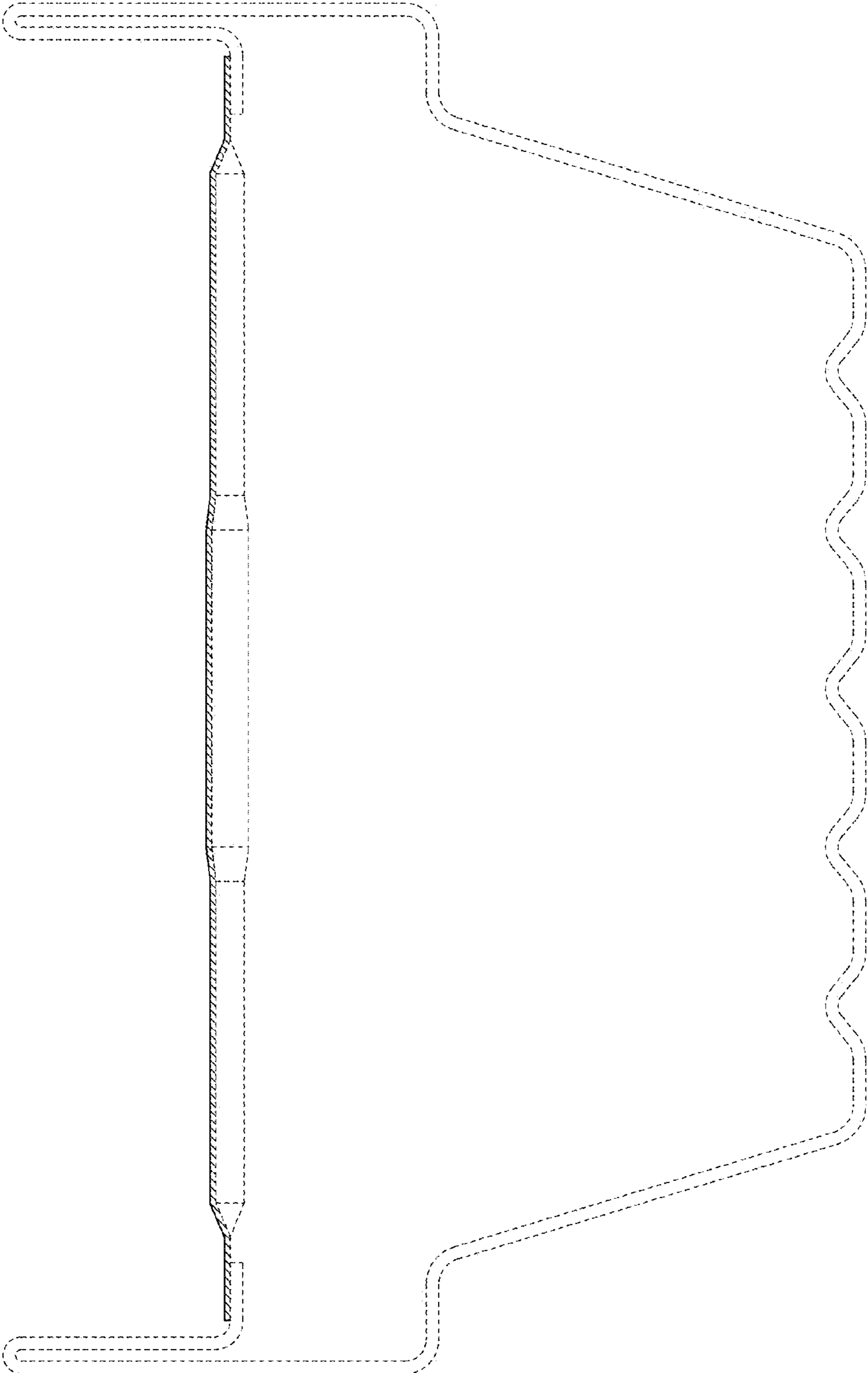


FIG. 4

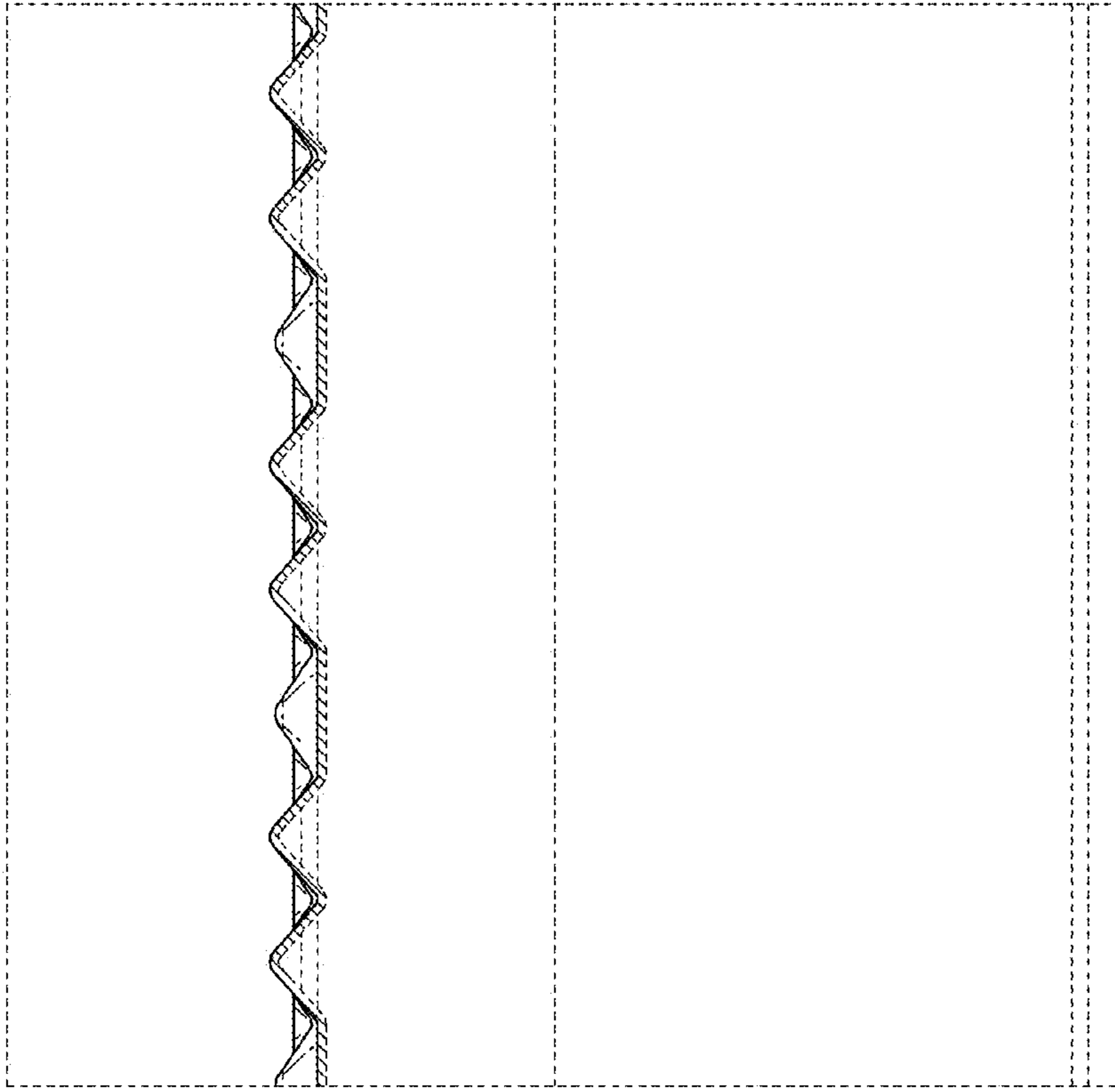


FIG. 6

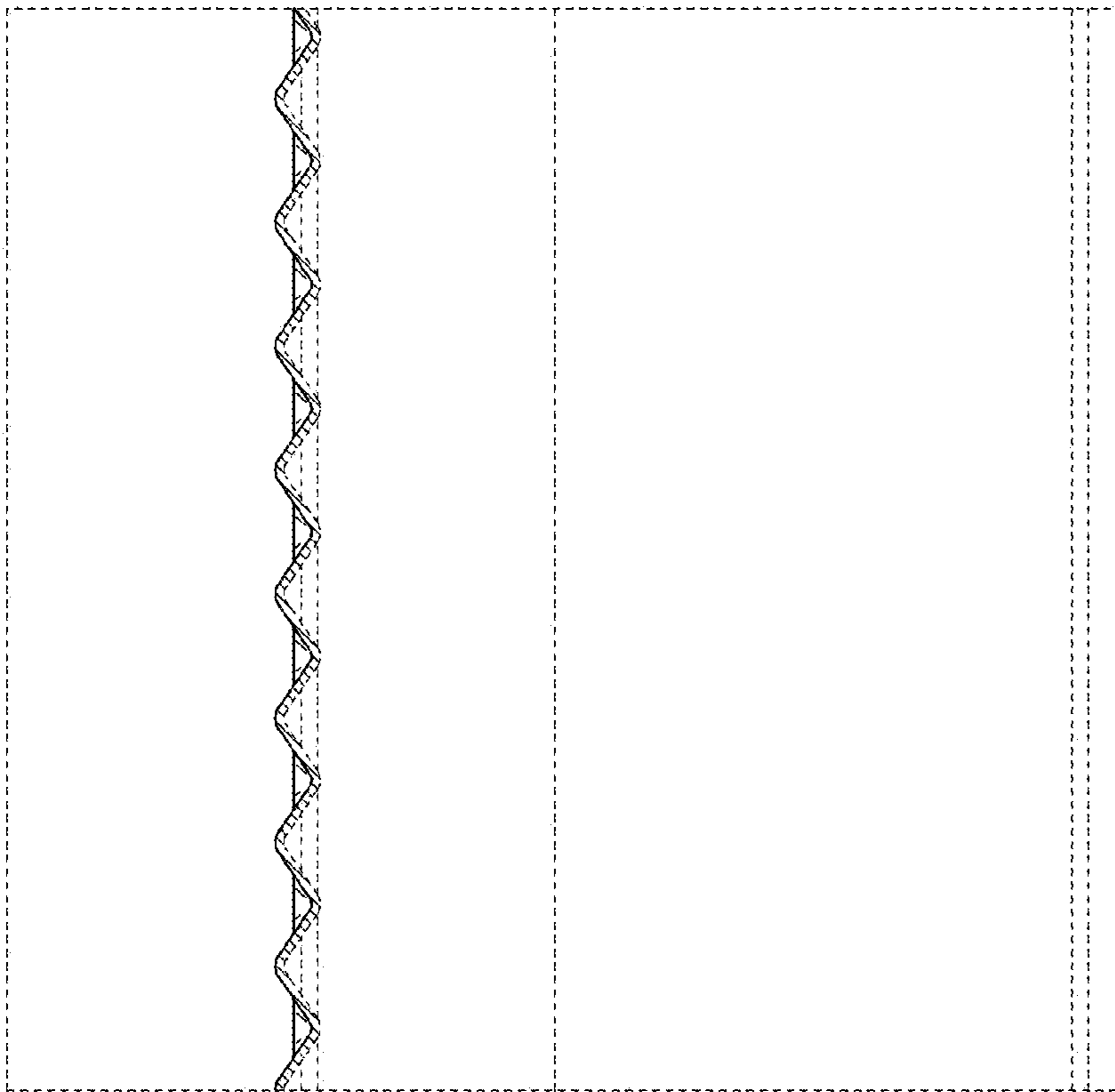


FIG. 5

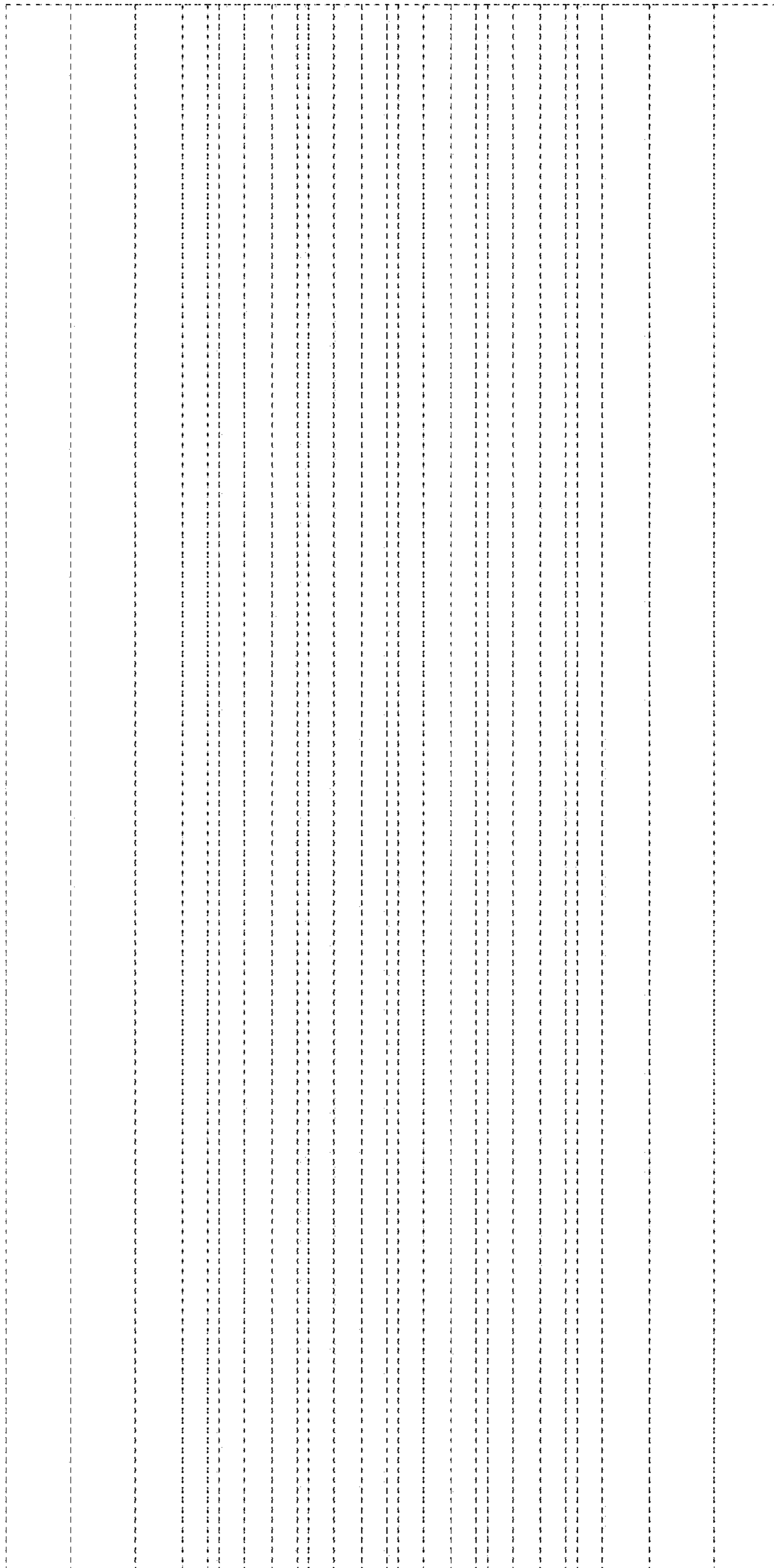


FIG. 7

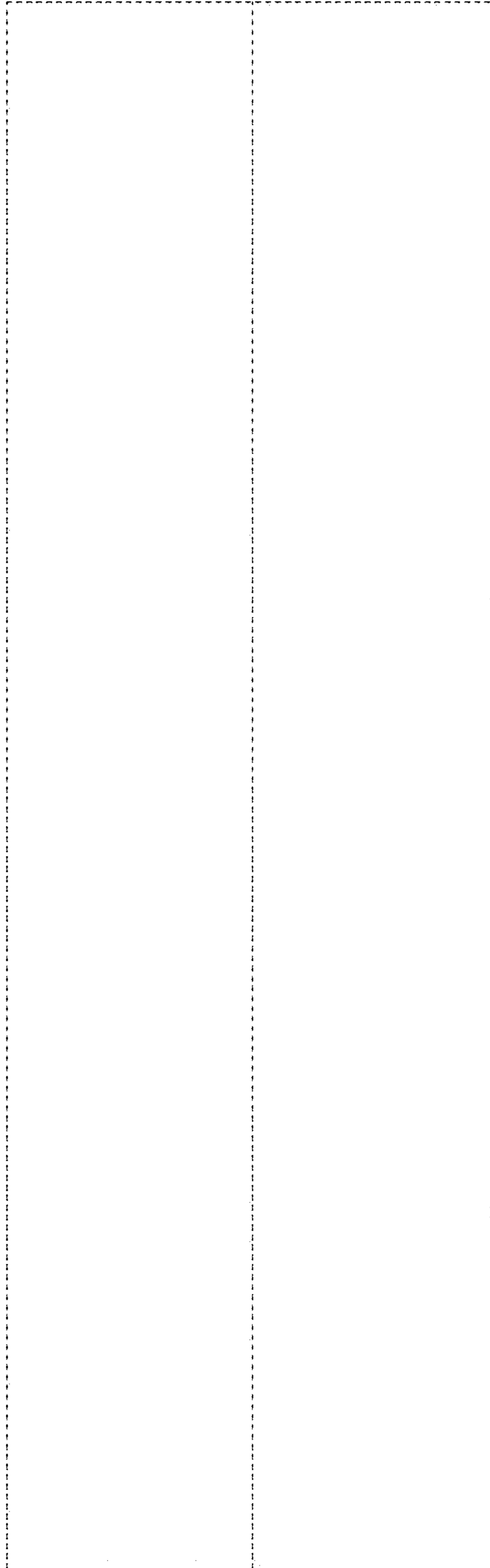


FIG. 8



FIG. 9

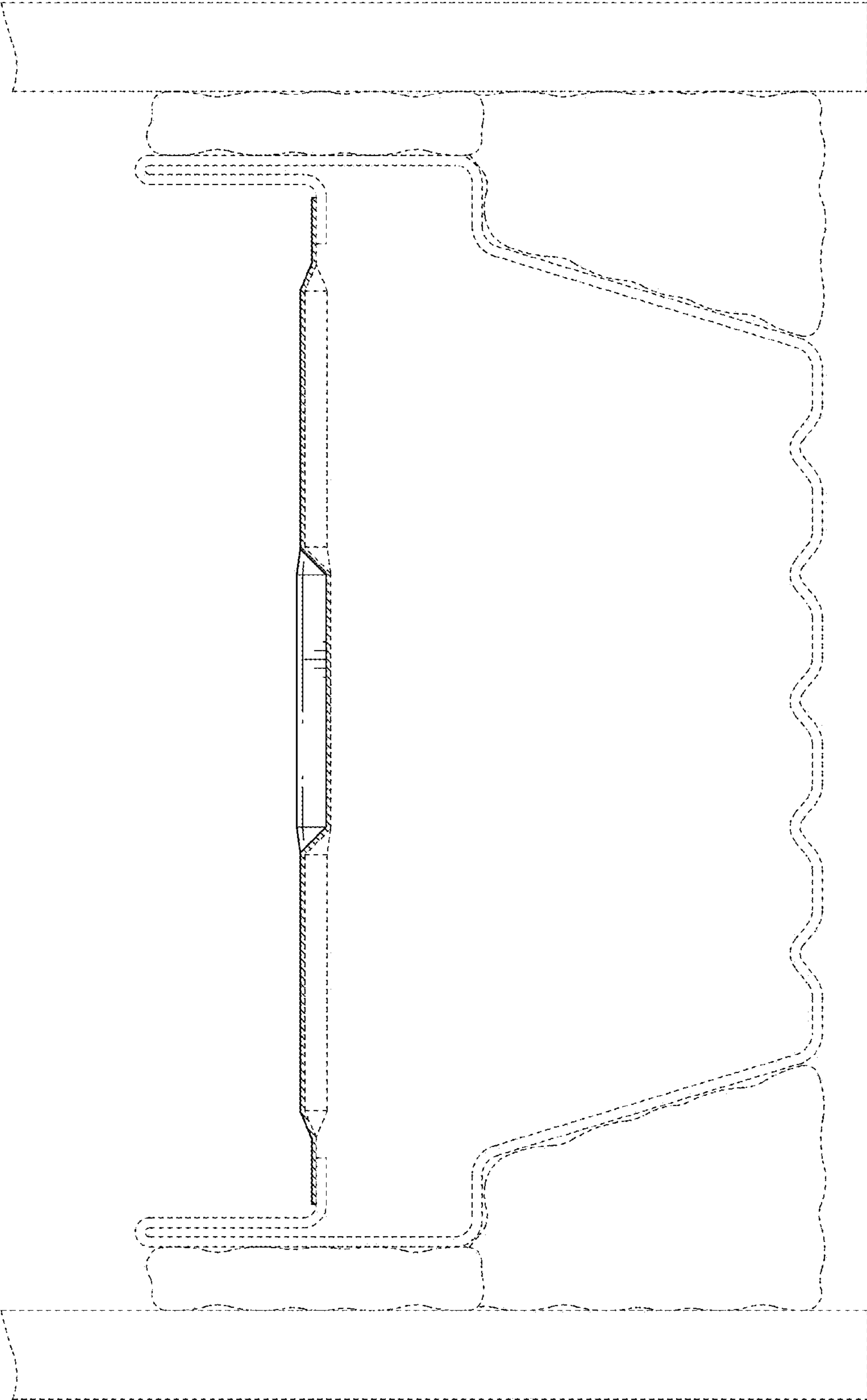


FIG. 10