



US00D736592S

(12) **United States Design Patent**
Gengler et al.

(10) **Patent No.:** **US D736,592 S**
(45) **Date of Patent:** **** Aug. 18, 2015**

- (54) **ELECTRONIC LOCK**
- (71) Applicant: **Fuz Designs LLC**, Draper, UT (US)
- (72) Inventors: **David P. Gengler**, Draper, UT (US);
Arthur Healey, Centerville, UT (US);
Cameron Gibbs, Draper, UT (US)
- (73) Assignee: **FUZ DESIGNS LLC**, Draper, UT (US)
- (**) Term: **14 Years**
- (21) Appl. No.: **29/499,725**
- (22) Filed: **Aug. 18, 2014**
- (51) **LOC (10) Cl.** **08-07**
- (52) **U.S. Cl.**
USPC **D8/334**
- (58) **Field of Classification Search**
USPC D8/330-347; 70/14, 20-28, 31, 32, 39,
70/41, 52-56, 86, 314, 423, DIG. 43,
70/DIG. 56, 38 A, DIG. 3, DIG. 4
CPC E05B 67/08; E05B 67/00; E05B 67/02;
E05B 2067/00; E05B 9/00; E05B 63/00
See application file for complete search history.

D276,408 S *	11/1984	Zabel et al.	D8/334
5,522,243 A *	6/1996	Kusmiss	70/330
5,572,890 A *	11/1996	Carpenter	70/371
D416,467 S *	11/1999	Castellanos et al.	D8/334
D567,628 S *	4/2008	Rohde et al.	D8/333
D646,953 S *	10/2011	Schmidt et al.	D8/334
D662,394 S *	6/2012	Schmidt et al.	D8/334
D685,250 S *	7/2013	Stevens et al.	D8/334
D696,926 S *	1/2014	Kemppainen	D8/334

* cited by examiner

Primary Examiner — Prabhakar Deshmukh

(74) *Attorney, Agent, or Firm* — Kory D. Christensen; Stoel Rives LLP

(57) **CLAIM**

The ornamental design for an electronic lock, as shown and described.

DESCRIPTION

FIG. 1 is a front perspective of an embodiment of an electronic lock showing my new design;
 FIG. 2 is a right side elevation view thereof;
 FIG. 3 is a left side elevation view thereof;
 FIG. 4 is front elevation view thereof;
 FIG. 5 is a rear elevation view thereof;
 FIG. 6 is a top plan view thereof; and,
 FIG. 7 is a bottom plan view thereof.
 The broken lines are directed to environment and are for illustrative purposes only; the broken lines form no part of the claimed design.

1 Claim, 4 Drawing Sheets

(56) **References Cited**

U.S. PATENT DOCUMENTS

2,931,204 A *	4/1960	Check	70/21
4,055,972 A *	11/1977	Calegan	70/21
4,422,311 A *	12/1983	Zabel et al.	70/25
4,462,231 A *	7/1984	Zabel	70/21

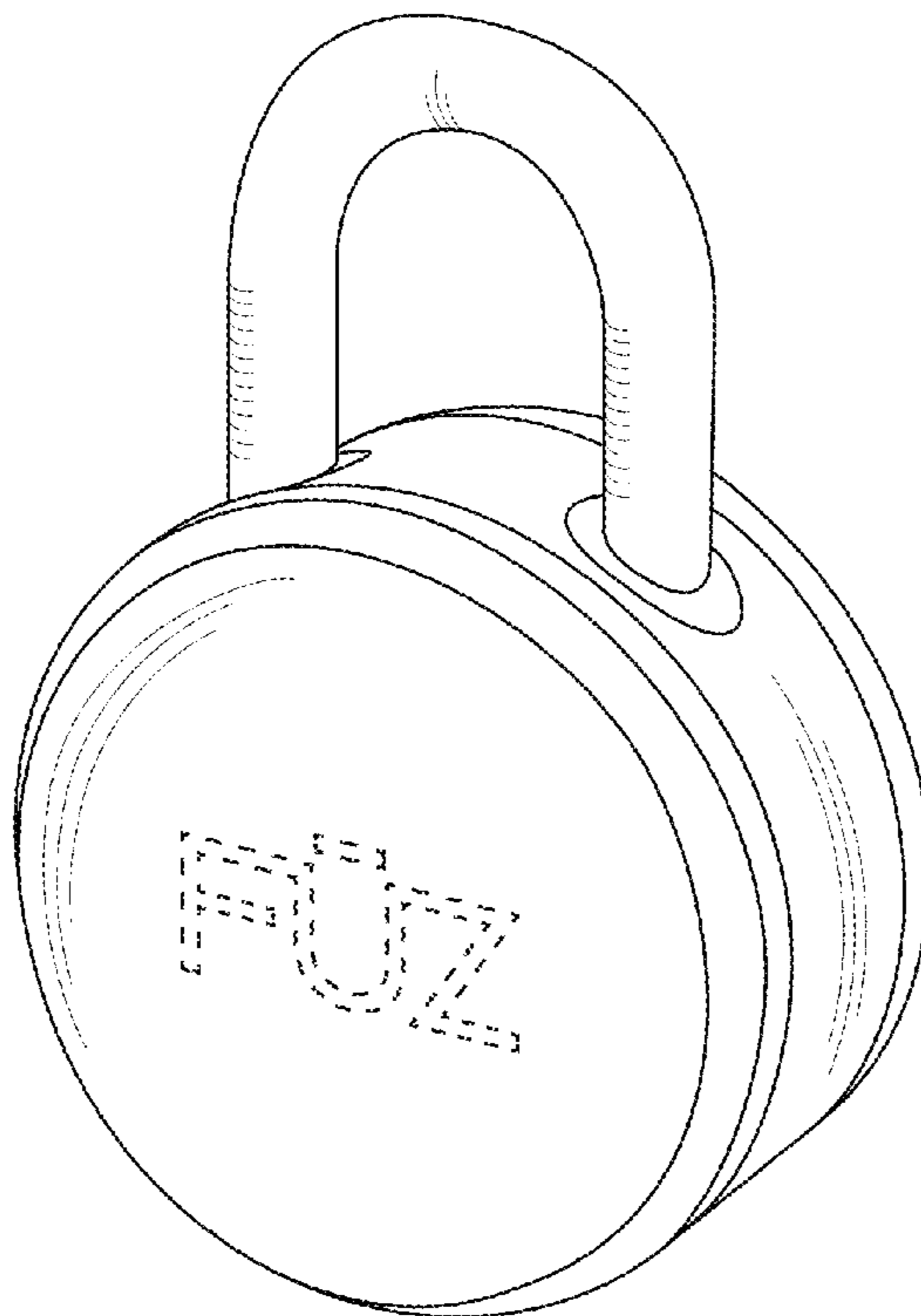


Fig. 1

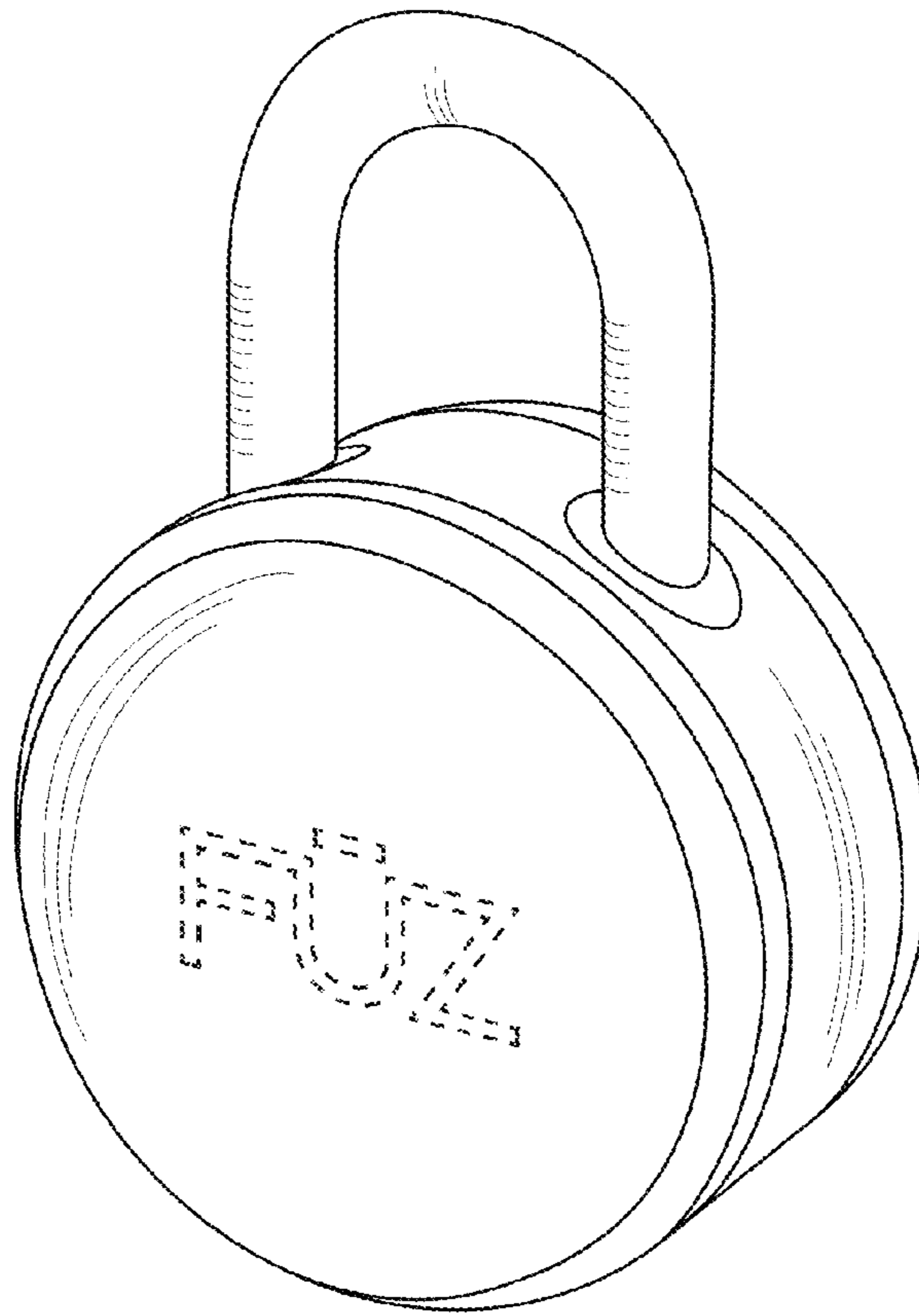


Fig. 2

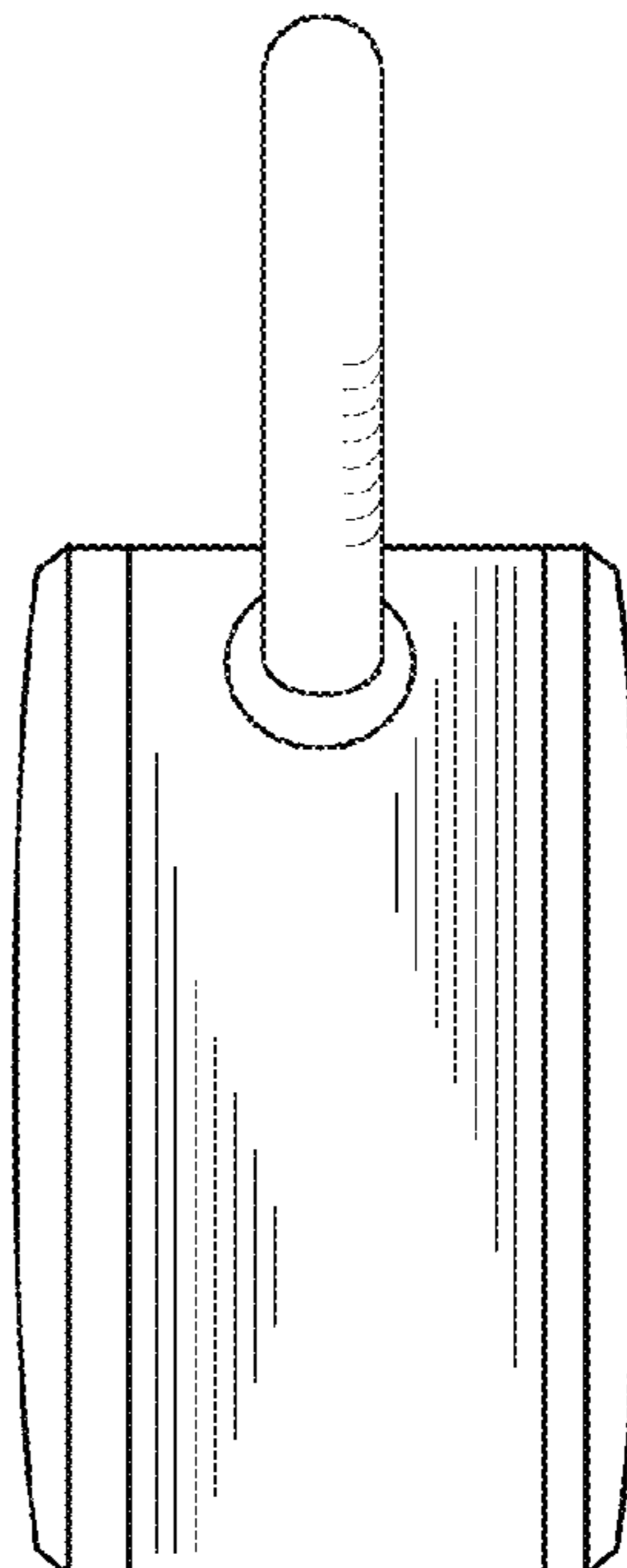


Fig. 3

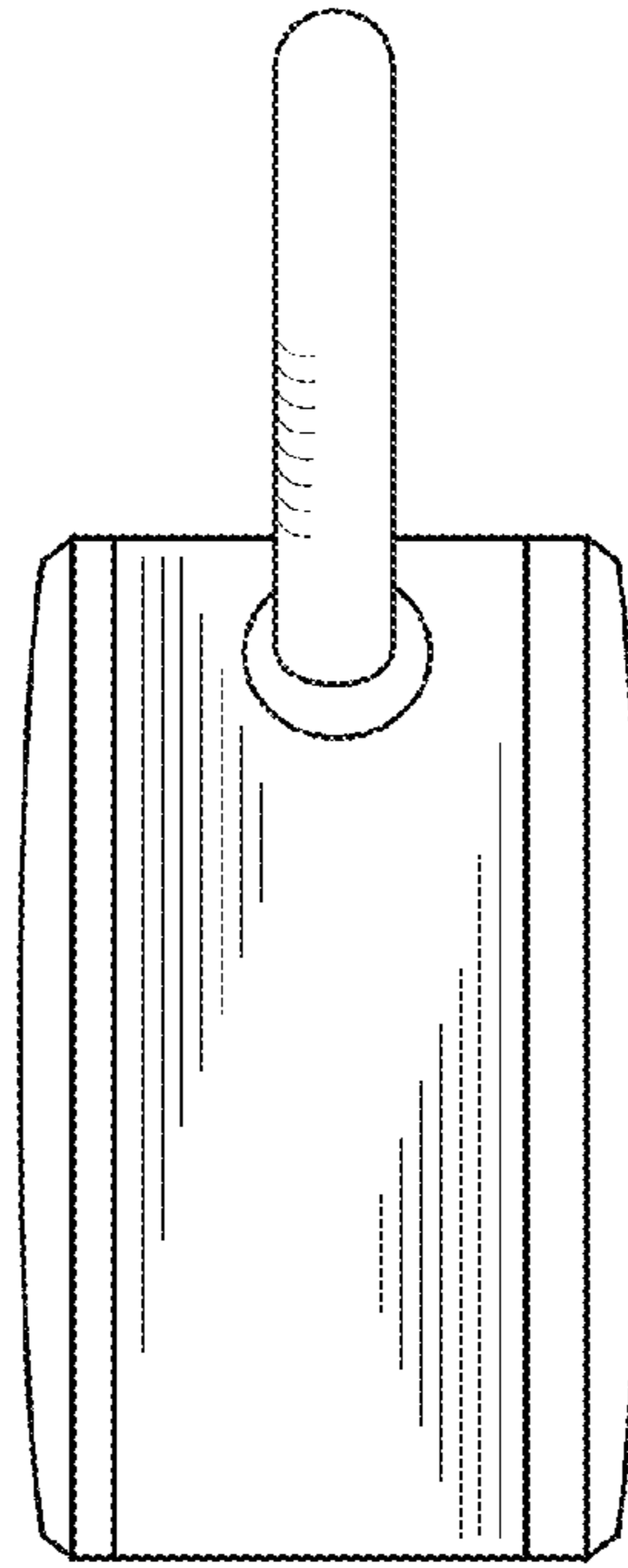


Fig. 4

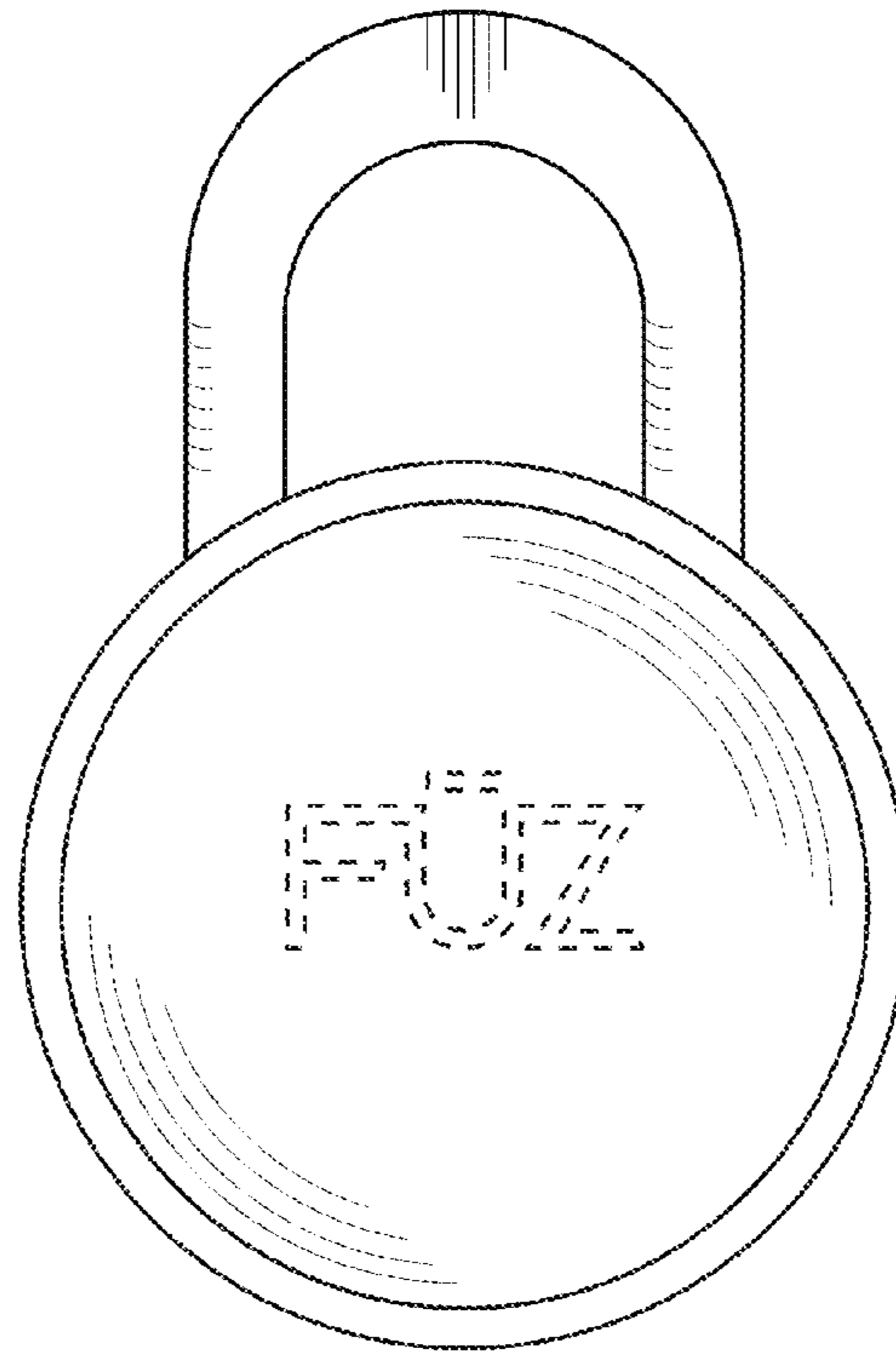


Fig. 5

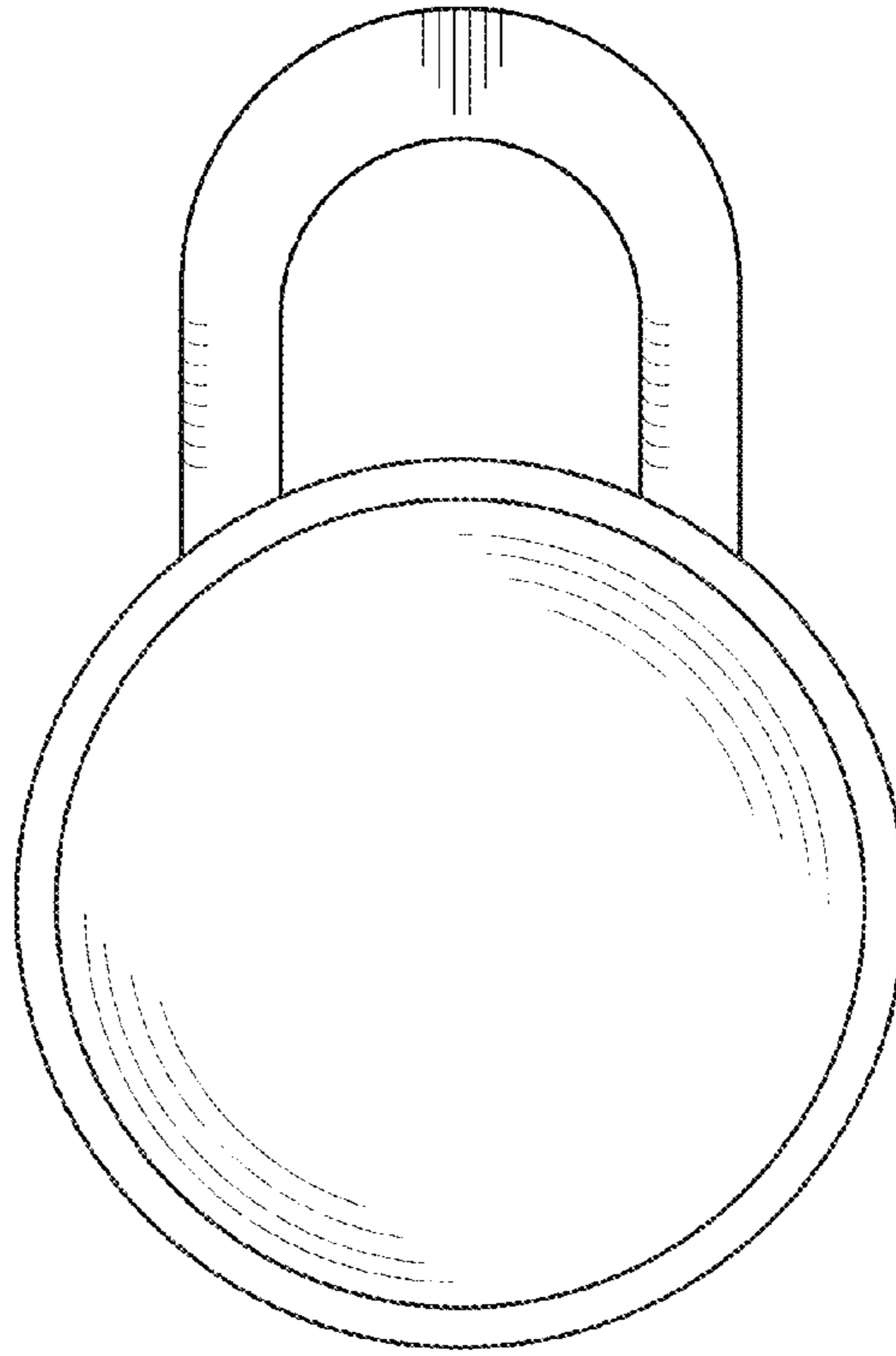


Fig. 6

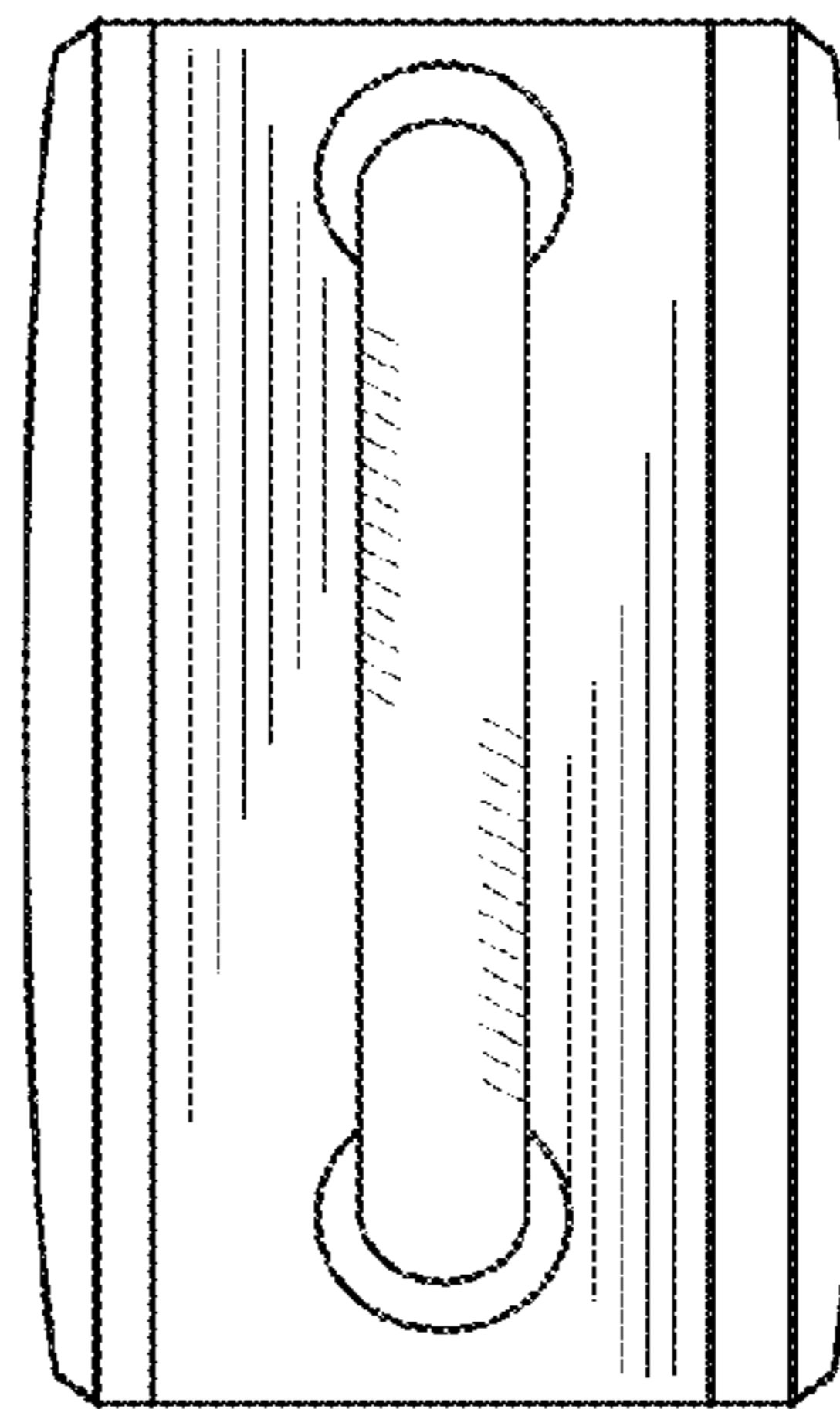


Fig. 7

