



US00D736589S

(12) **United States Design Patent**
Watson

(10) **Patent No.:** **US D736,589 S**

(45) **Date of Patent:** **** Aug. 18, 2015**

(54) **DECORATIVE KNOB**

(71) Applicant: **Schlage Lock Company LLC**,
Indianapolis, IN (US)

(72) Inventor: **Aida Kim Nishida Watson**, Noblesville,
IN (US)

(73) Assignee: **Schlage Lock Company LLC**,
Indianapolis, IN (US)

(**) Term: **14 Years**

(21) Appl. No.: **29/494,071**

(22) Filed: **Jun. 17, 2014**

(51) **LOC (10) Cl.** **08-06**

(52) **U.S. Cl.**
USPC **D8/310**

(58) **Field of Classification Search**
USPC D8/300-322, DIG. 1, DIG. 2, DIG. 10;
D7/393, 394, 405; D6/549, 524, 533,
D6/550; D23/250-254, 303, 305; 292/347,
292/336.3; 211/16, 182; 220/752-754;
16/441, 118, 110 R, 111 R, DIG. 19,
16/DIG. 30, 110.1, 412, 414-420,
16/443-446

See application file for complete search history.

(56) **References Cited**

U.S. PATENT DOCUMENTS

D179,458 S * 12/1956 Ohno D8/310
D199,924 S * 12/1964 Schlage D8/310
D291,824 S * 9/1987 Lathrop D23/254

D348,602 S * 7/1994 Carsello D8/310
D467,488 S * 12/2002 Su D8/307
D492,887 S * 7/2004 Wu D8/310
D542,115 S * 5/2007 Hanna et al. D8/310
D546,658 S * 7/2007 Singtoroj D8/301
D563,758 S * 3/2008 Oliver D8/310
D567,624 S * 4/2008 Ricereto D8/307
D573,438 S * 7/2008 Ricereto D8/310
D579,307 S * 10/2008 Himmelburger D8/312
D580,737 S * 11/2008 Singtoroj D8/312

* cited by examiner

Primary Examiner — Mark Goodwin

(74) *Attorney, Agent, or Firm* — Taft Stettinius & Hollister
LLP

(57) **CLAIM**

The ornamental design for a decorative knob, as shown and
described.

DESCRIPTION

FIG. 1 is an upper-right front perspective view of the deco-
rative knob.

FIG. 2 is an upper-left front perspective view of the decorative
knob.

FIG. 3 is a lower-left rear perspective view of the decorative
knob.

FIG. 4 is a front view of the decorative knob.

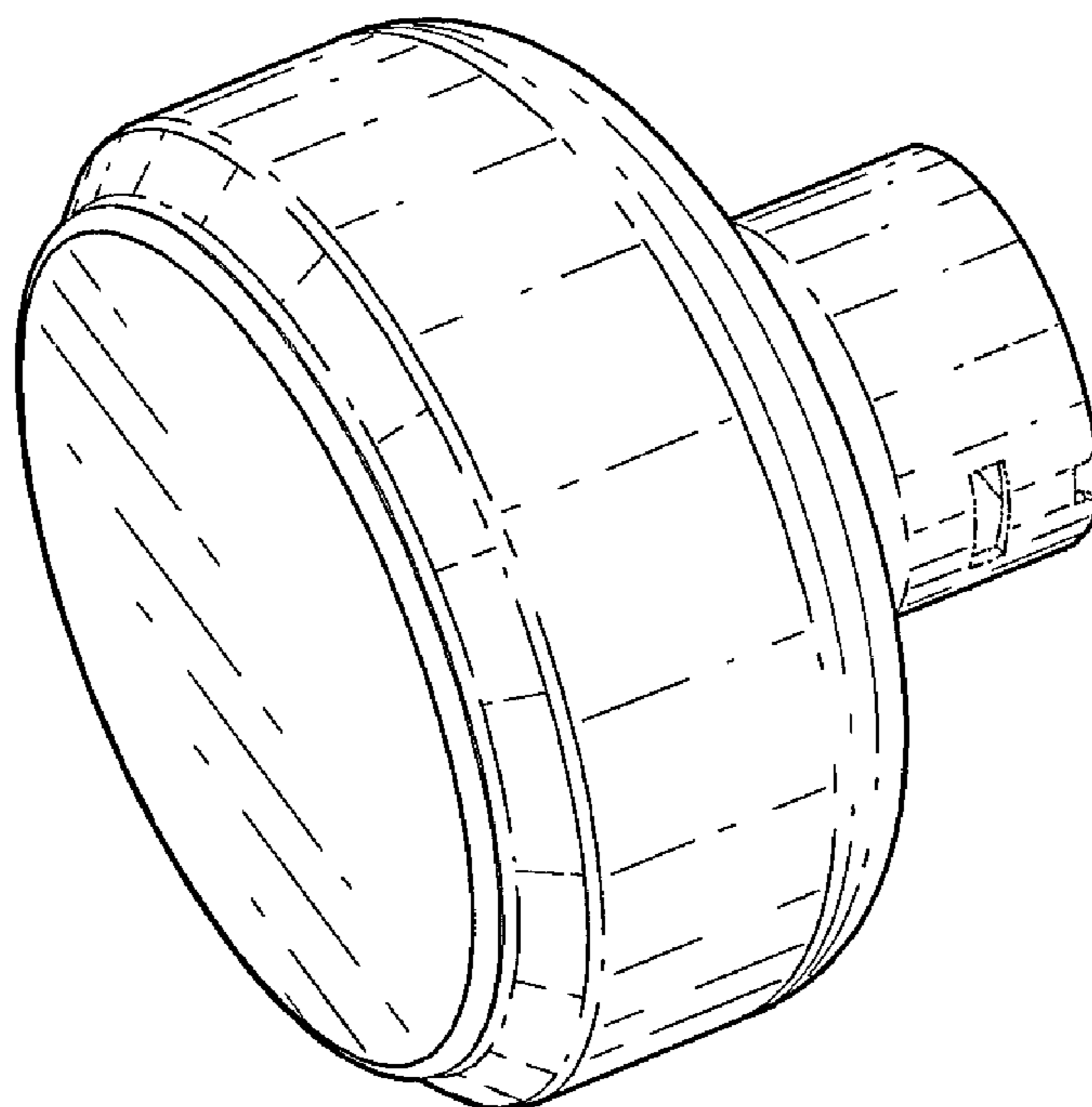
FIG. 5 is a right side view of the decorative knob.

FIG. 6 is a left side view of the decorative knob; and,

FIG. 7 is a top view of the decorative knob.

The broken lines are for the purpose of showing exemplary
slots, apertures and openings associated with the decorative
knob, and they form no part of the claimed design.

1 Claim, 2 Drawing Sheets



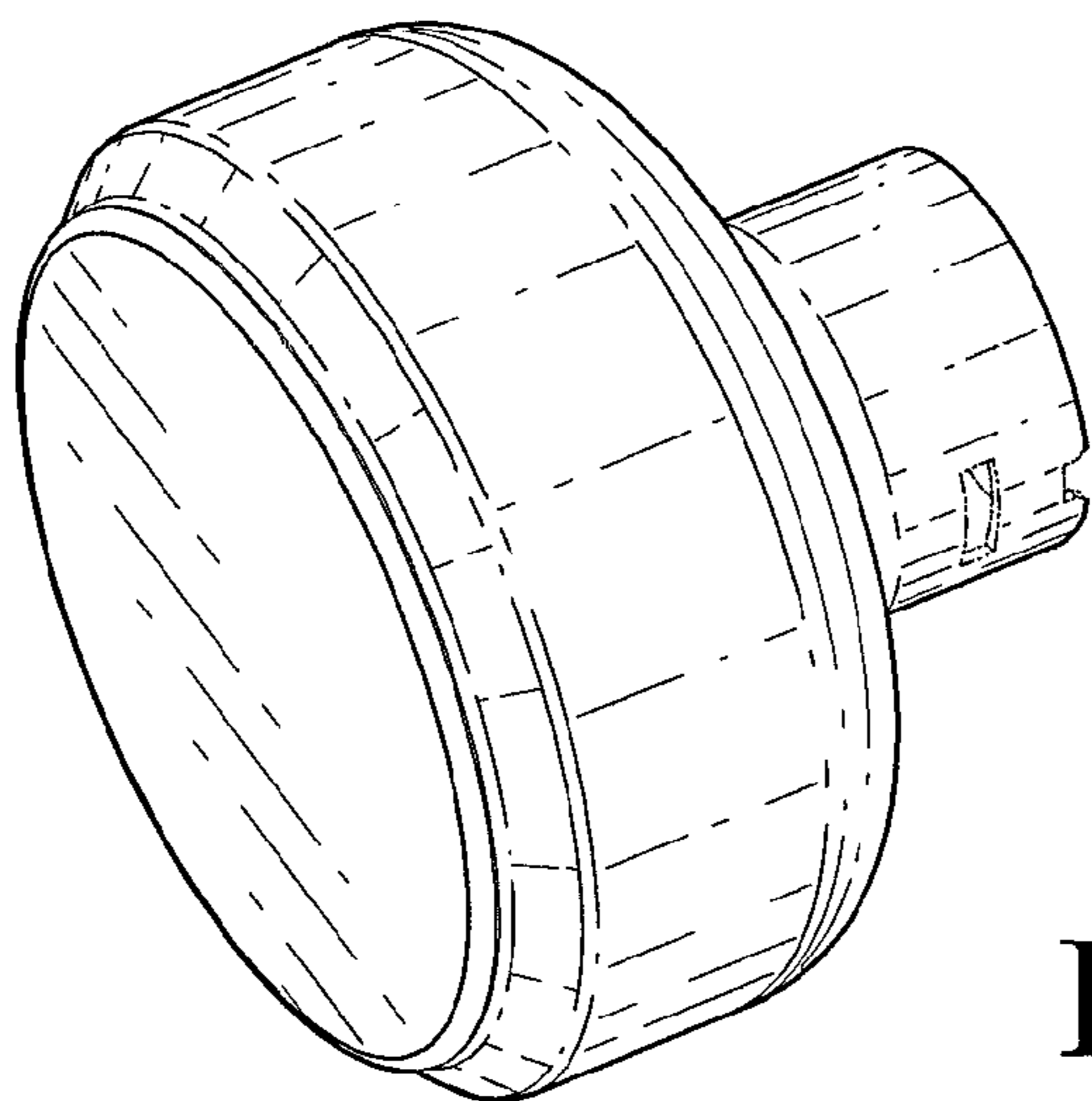


Fig. 1

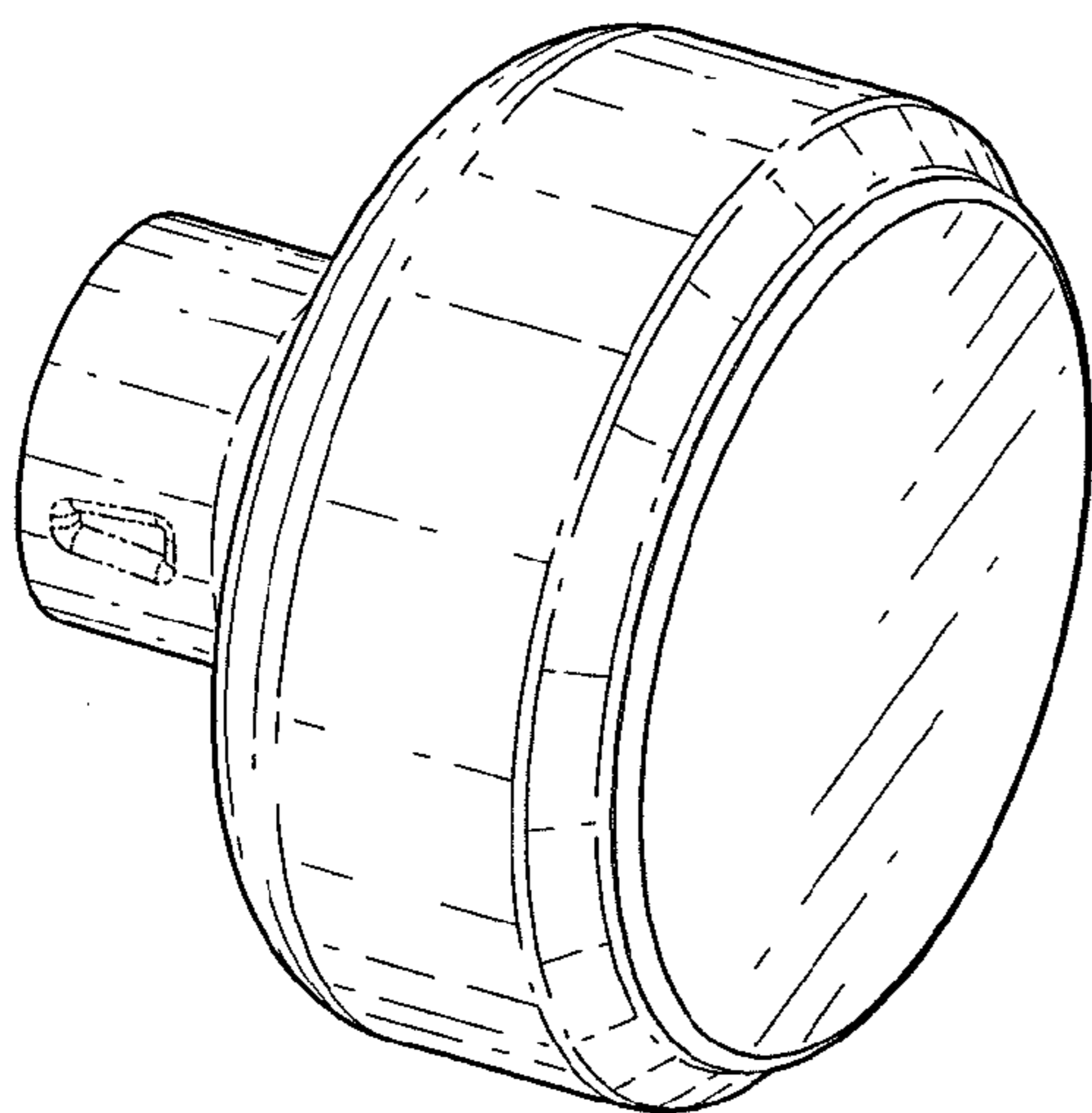


Fig. 2

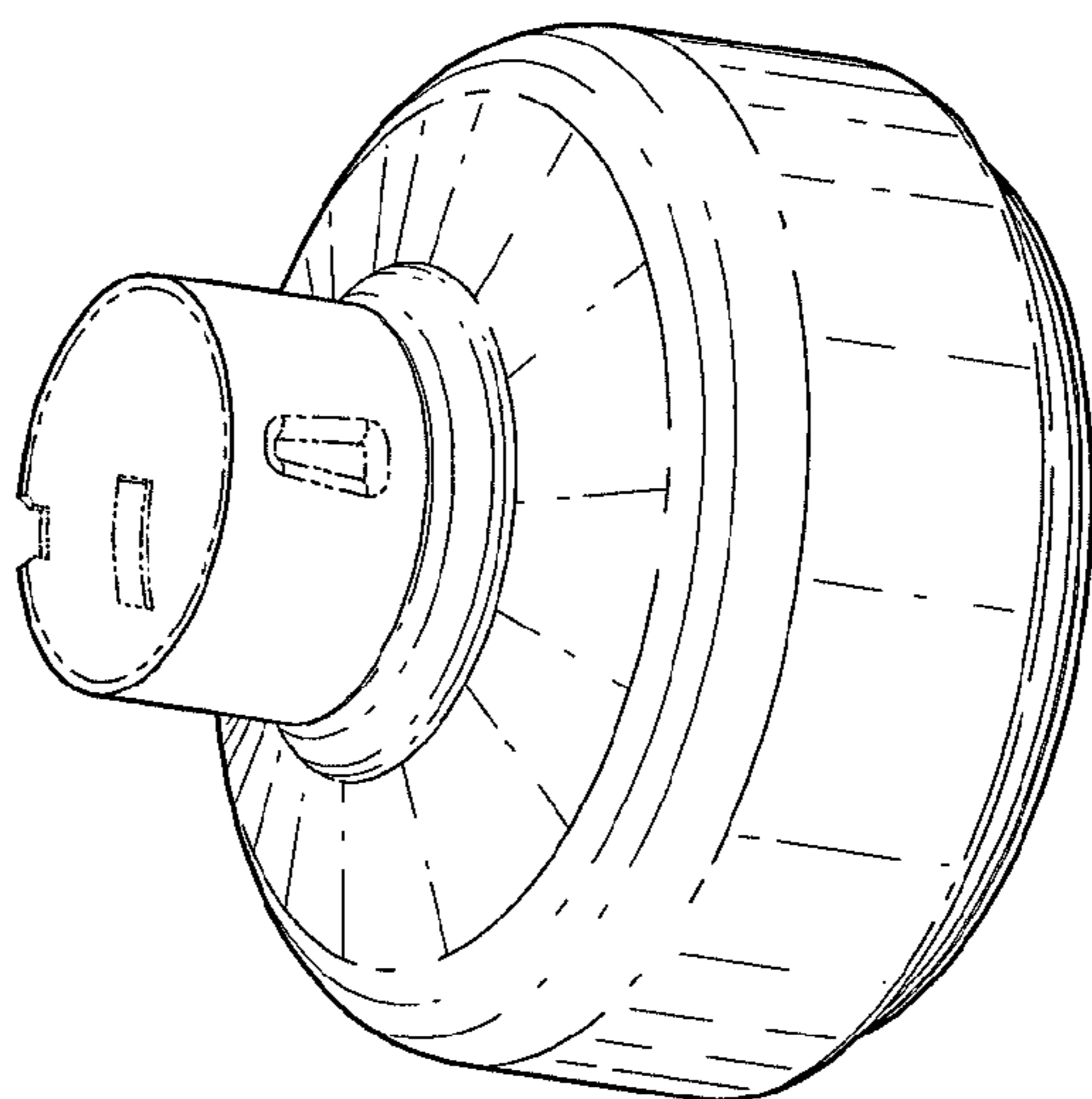


Fig. 3

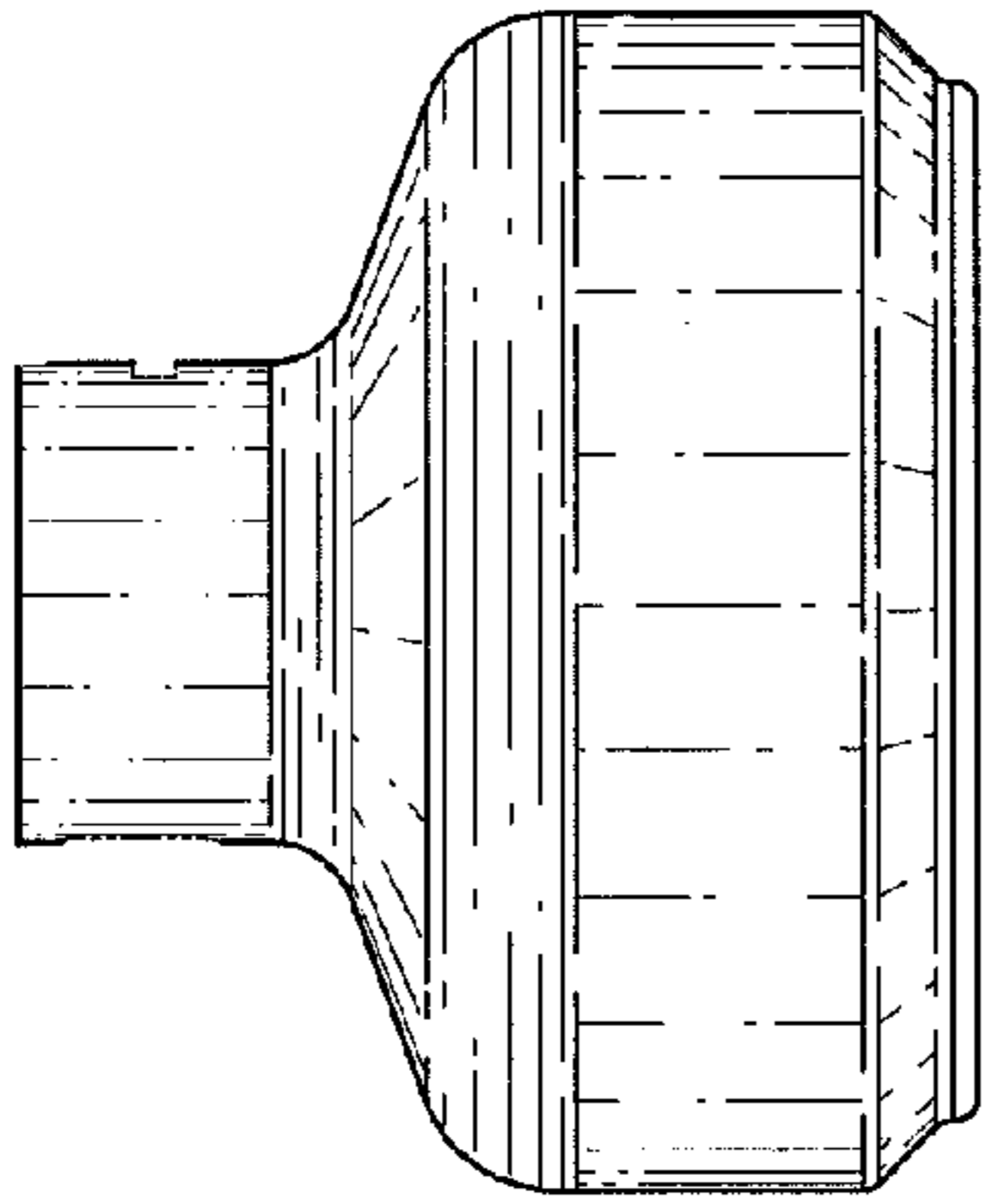


Fig. 7

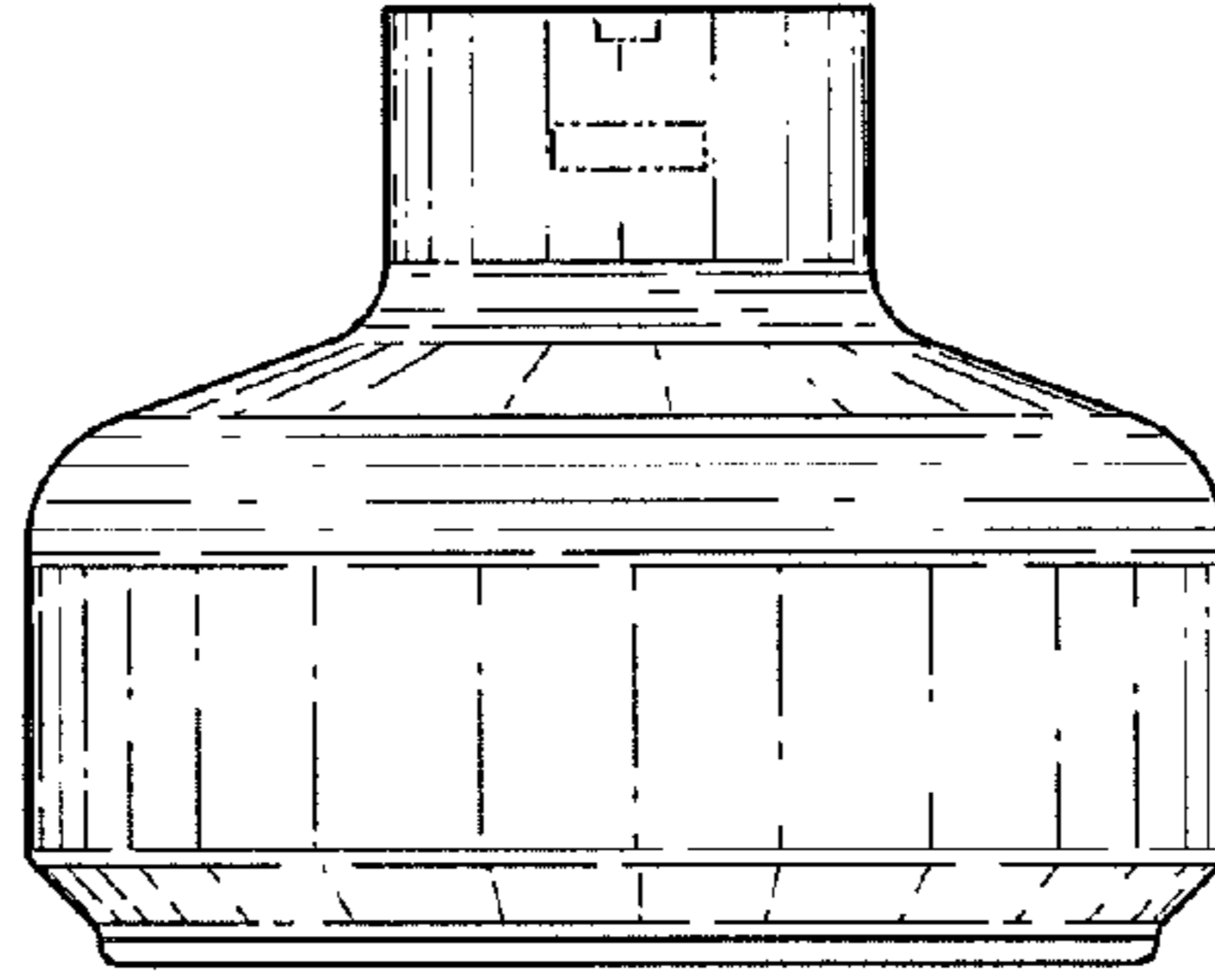


Fig. 5

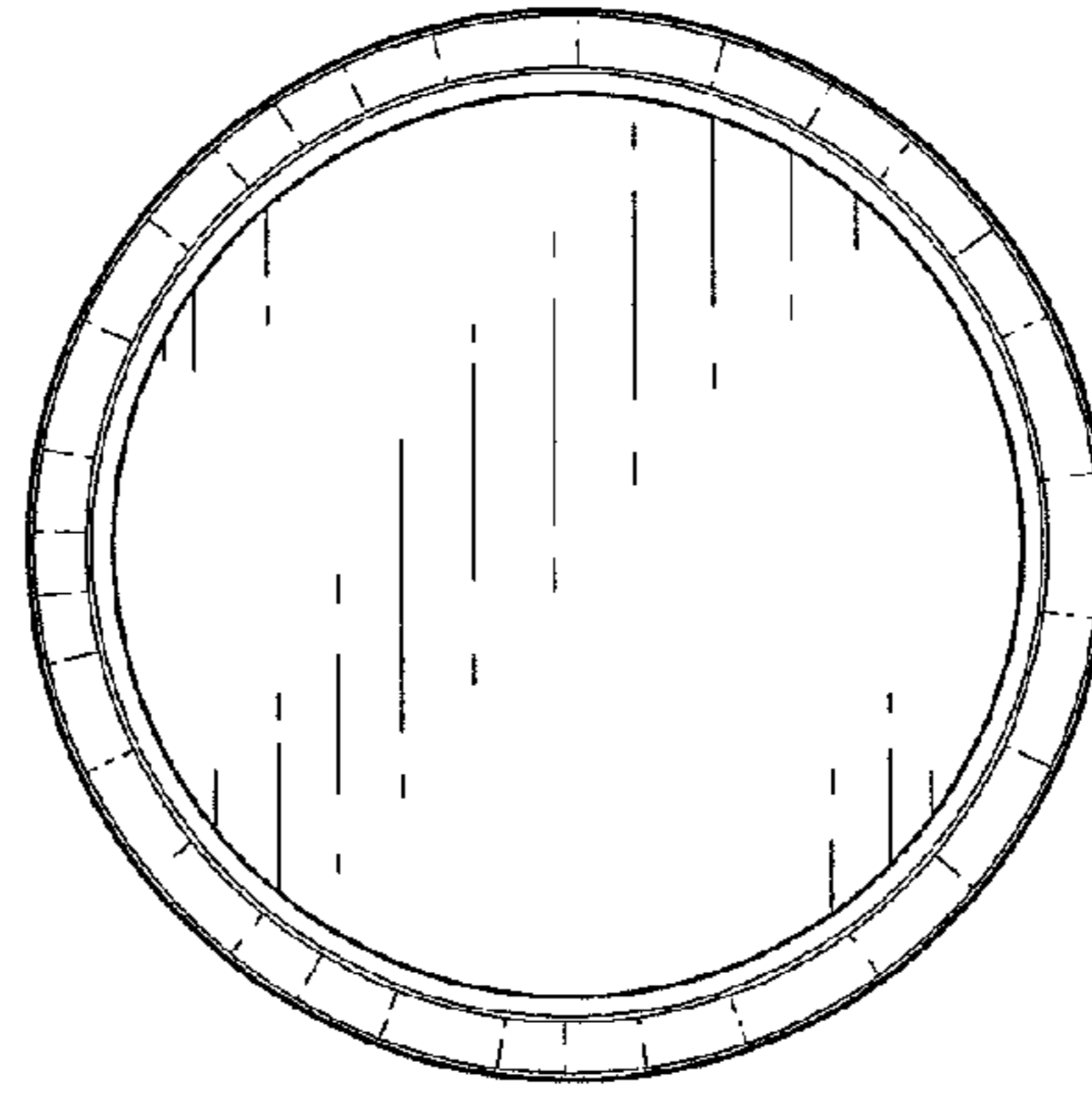


Fig. 4

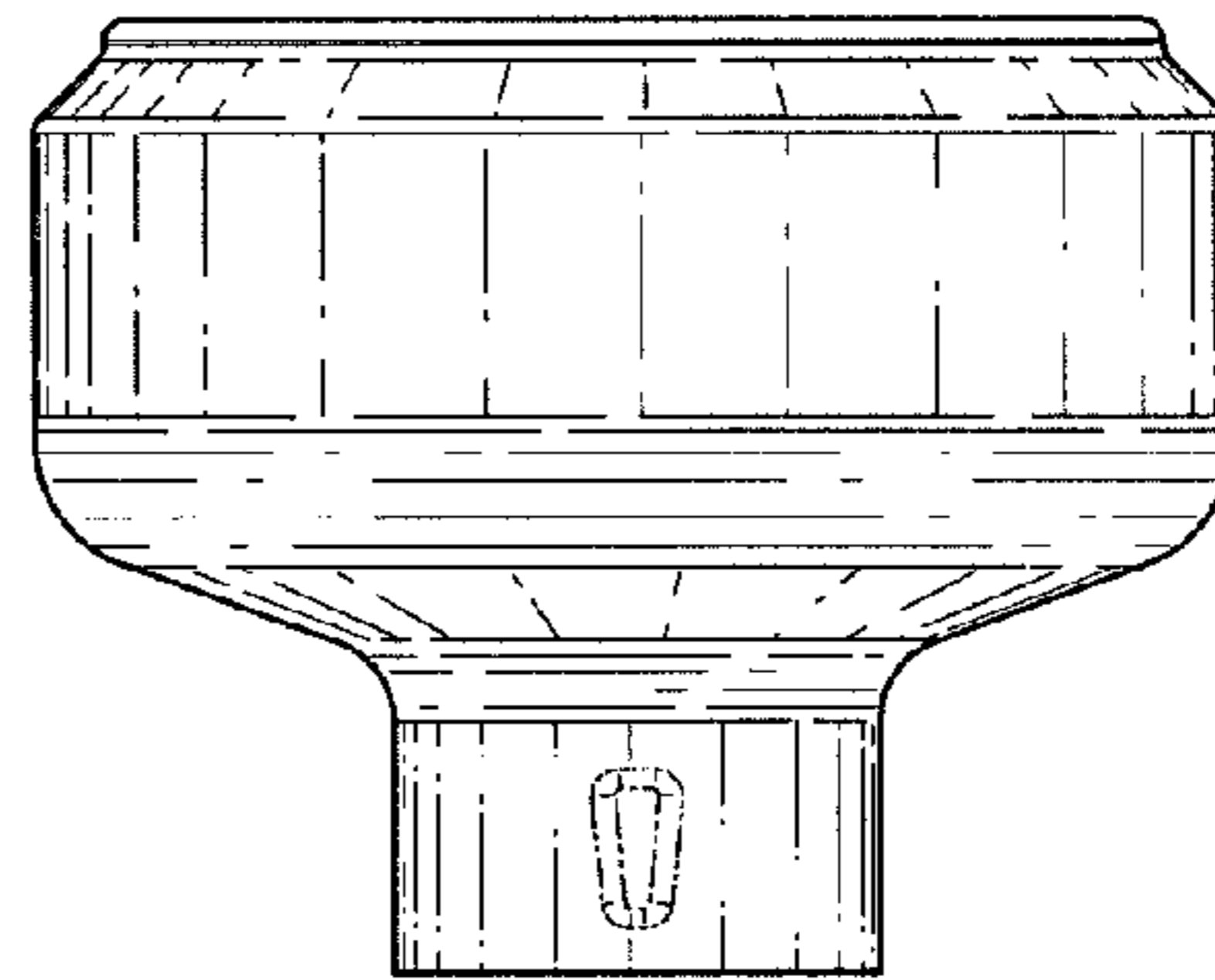


Fig. 6