



US00D736587S

(12) **United States Design Patent**  
**Cavanaugh**

(10) **Patent No.:** **US D736,587 S**

(45) **Date of Patent:** **\*\* Aug. 18, 2015**

(54) **SHARPENER**

(71) Applicant: **Gerald R. Cavanaugh**, Cedar Park, TX  
(US)

(72) Inventor: **Gerald R. Cavanaugh**, Cedar Park, TX  
(US)

(\*\*) Term: **14 Years**

(21) Appl. No.: **29/467,664**

(22) Filed: **Sep. 20, 2013**

(51) **LOC (10) Cl.** ..... **08-05**

(52) **U.S. Cl.**  
USPC ..... **D8/93**

(58) **Field of Classification Search**  
USPC ..... D8/90-94, 105; 451/349, 461, 486,  
451/552, 555-558  
CPC ..... B24B 3/54; B24B 3/546; B24D 15/065;  
B24D 15/08; B24D 15/081; B24D 15/082  
See application file for complete search history.

(56) **References Cited**

**U.S. PATENT DOCUMENTS**

D173,204 S *	10/1954	Hussar	.....	D8/93
D183,530 S *	9/1958	Lamp	.....	D8/93
4,599,919 A	7/1986	Fortenberry		
D299,308 S *	1/1989	Prindle	.....	D8/93
D299,614 S	1/1989	Young		
D323,450 S *	1/1992	Shimizu	.....	D8/93
D357,395 S *	4/1995	Friel	.....	D8/93
D367,598 S	3/1996	Fortenberry		
D368,217 S *	3/1996	Friel	.....	D8/93
D372,181 S *	7/1996	Kelley	.....	D8/93
D392,869 S *	3/1998	Rieser	.....	D8/93
D402,523 S *	12/1998	Thomas	.....	D8/93
D453,290 S	2/2002	Huang		
D475,599 S	6/2003	Liu		
D487,691 S	3/2004	Huang		
6,805,619 B2	10/2004	Carbone		
D500,439 S *	1/2005	Rosenthal	.....	D8/93
D519,815 S *	5/2006	Friel et al.	.....	D8/91
D526,876 S *	8/2006	Smith	.....	D8/93

D551,531 S	9/2007	Zemel		
D582,238 S *	12/2008	Mullen	.....	D8/91
D587,088 S *	2/2009	Smith	.....	D8/93
D587,551 S *	3/2009	Friel et al.	.....	D8/93
D603,679 S *	11/2009	Smith	.....	D8/93
D604,134 S *	11/2009	Smith et al.	.....	D8/63
D604,135 S *	11/2009	Smith et al.	.....	D8/63
D626,397 S *	11/2010	Smith et al.	.....	D8/93
D629,273 S *	12/2010	Friel et al.	.....	D8/93
D640,116 S *	6/2011	Smith et al.	.....	D8/93
D641,225 S *	7/2011	Friel et al.	.....	D8/93
D641,226 S *	7/2011	Friel et al.	.....	D8/93
D654,342 S	2/2012	Cavanaugh		

(Continued)

**OTHER PUBLICATIONS**

AccuSharp® Pull Through Knife Sharpener. Downloaded from <http://www.bedbathandbeyond.com/store/product/accusharp-pull-through-knife-sharpener/> . . . on Feb. 20, 2015.\*

*Primary Examiner* — Philip S Hyder

*Assistant Examiner* — Roselynn Cody

(74) *Attorney, Agent, or Firm* — Andrew W. Chu; Craft Chu PLLC

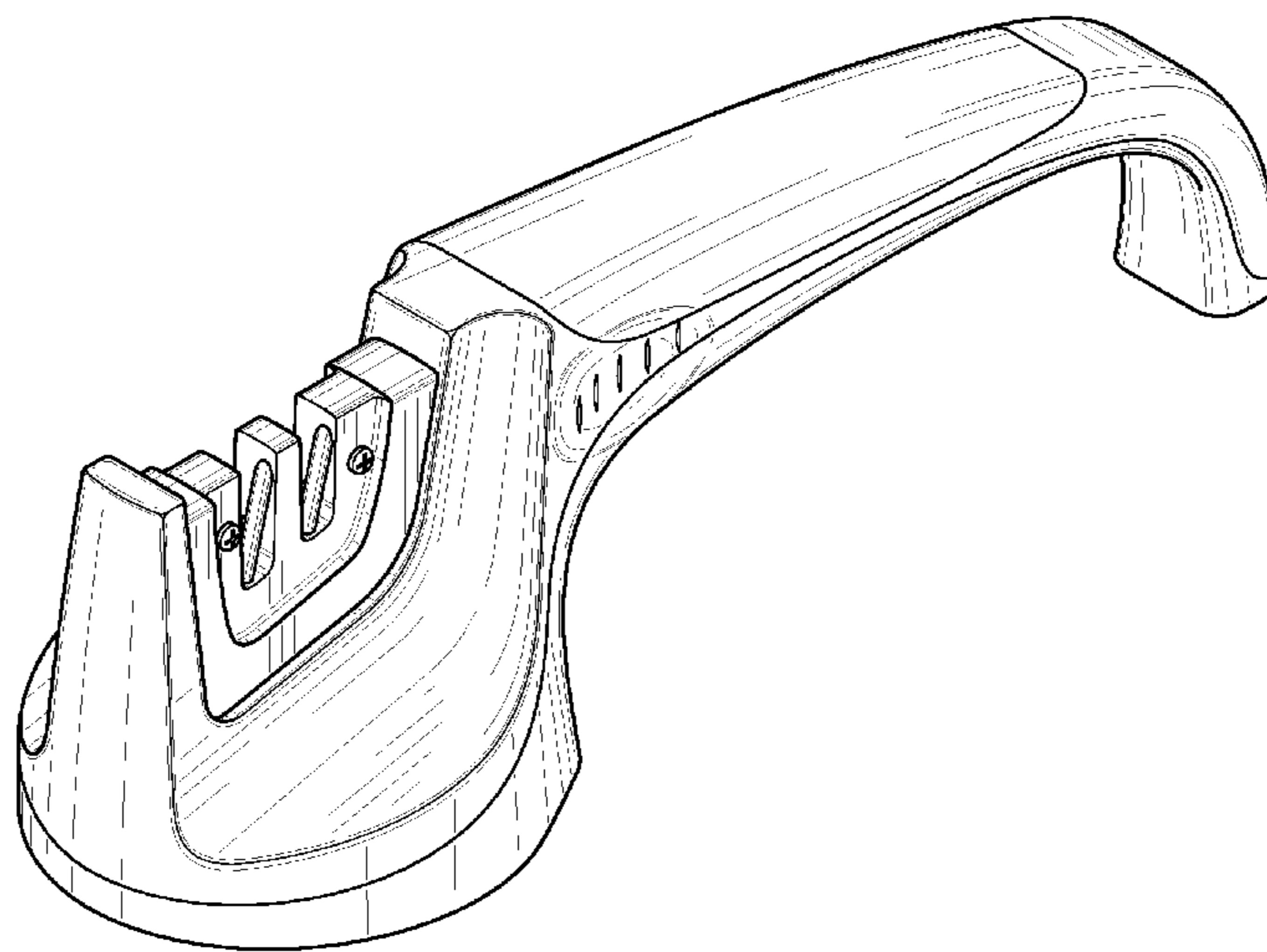
(57) **CLAIM**

The ornamental design for a sharpener, as shown and described.

**DESCRIPTION**

FIG. 1 is an upper perspective view of the sharpener showing my design;  
FIG. 2 is a side elevation view thereof;  
FIG. 3 is an opposite side view thereof;  
FIG. 4 is an end elevation view thereof;  
FIG. 5 is an opposite end elevation view thereof;  
FIG. 6 is a top plan view; and,  
FIG. 7 is a bottom plan view.  
The device sharpens blades, such as knife blades. The broken lines in FIG. 7 surround two bottom surfaces of the sharpener, within which no claim is made.

**1 Claim, 3 Drawing Sheets**



(56)

**References Cited**

U.S. PATENT DOCUMENTS

D665,647 S \* 8/2012 Friel et al. .... D8/93  
D666,886 S \* 9/2012 Rieser ..... D8/93  
D669,755 S \* 10/2012 Huber et al. .... D8/93

D673,833 S \* 1/2013 Kay ..... D8/93  
D680,847 S \* 4/2013 Smith et al. .... D8/93  
2014/0120812 A1 \* 5/2014 Smith et al. .... 451/552

\* cited by examiner

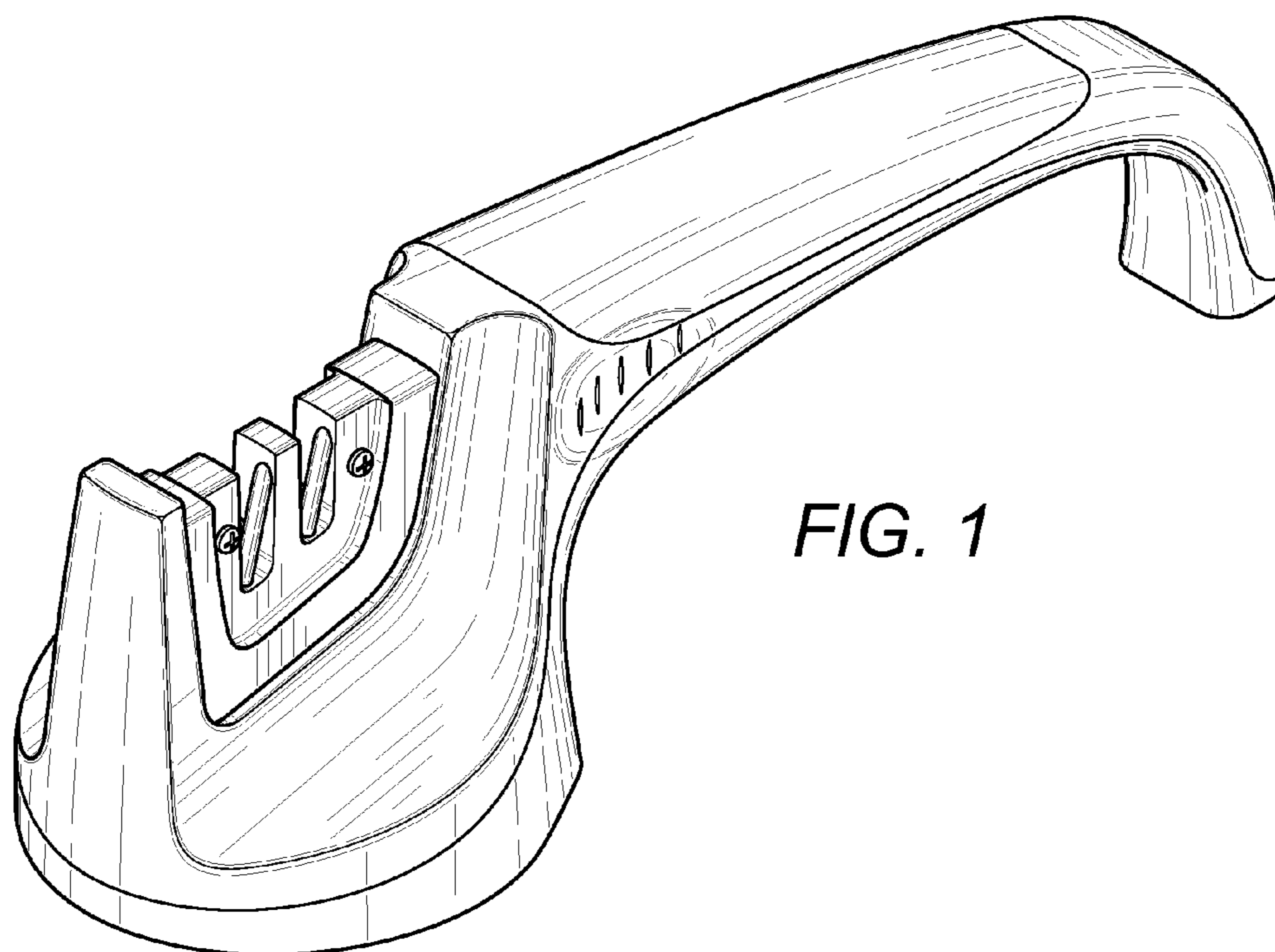


FIG. 1

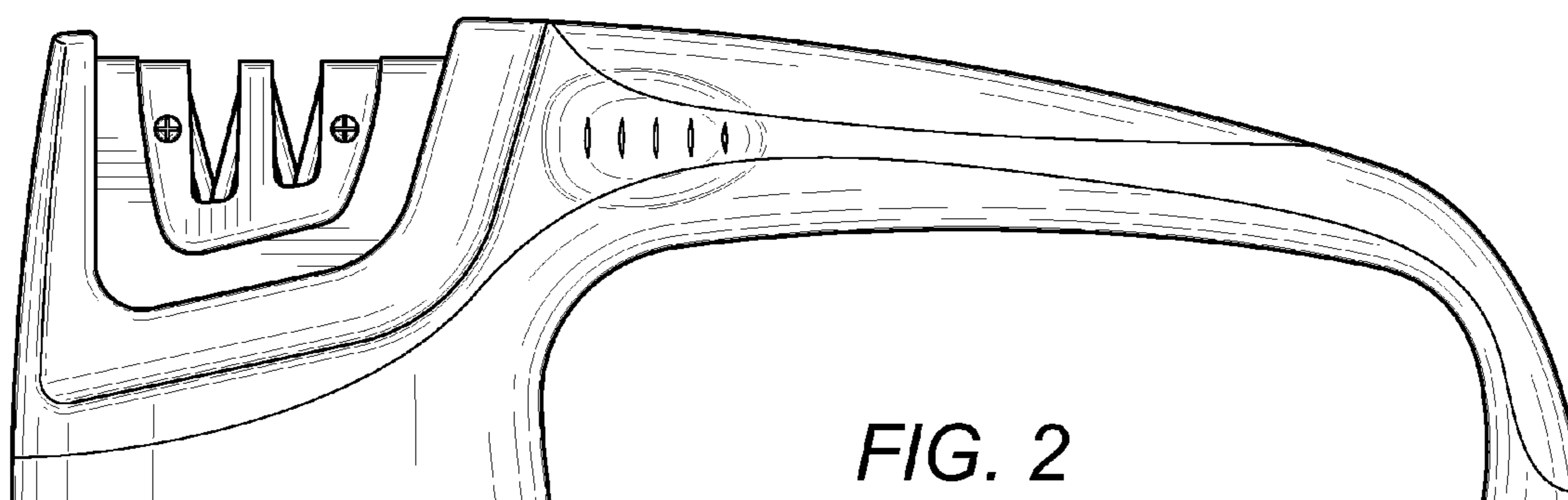


FIG. 2

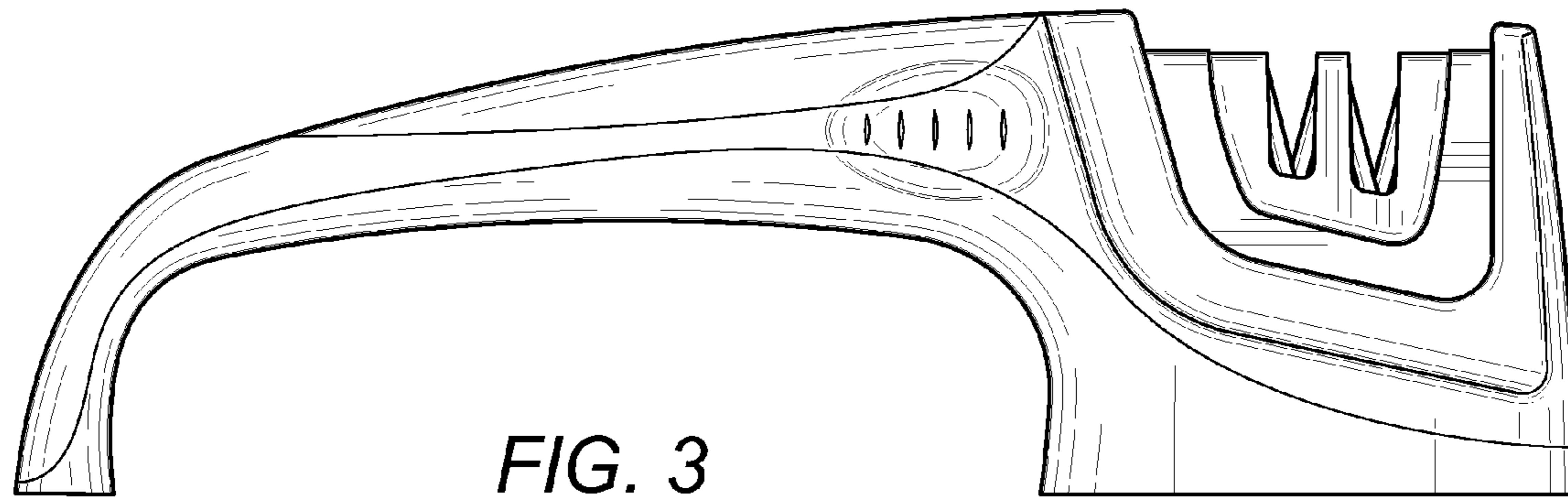


FIG. 3

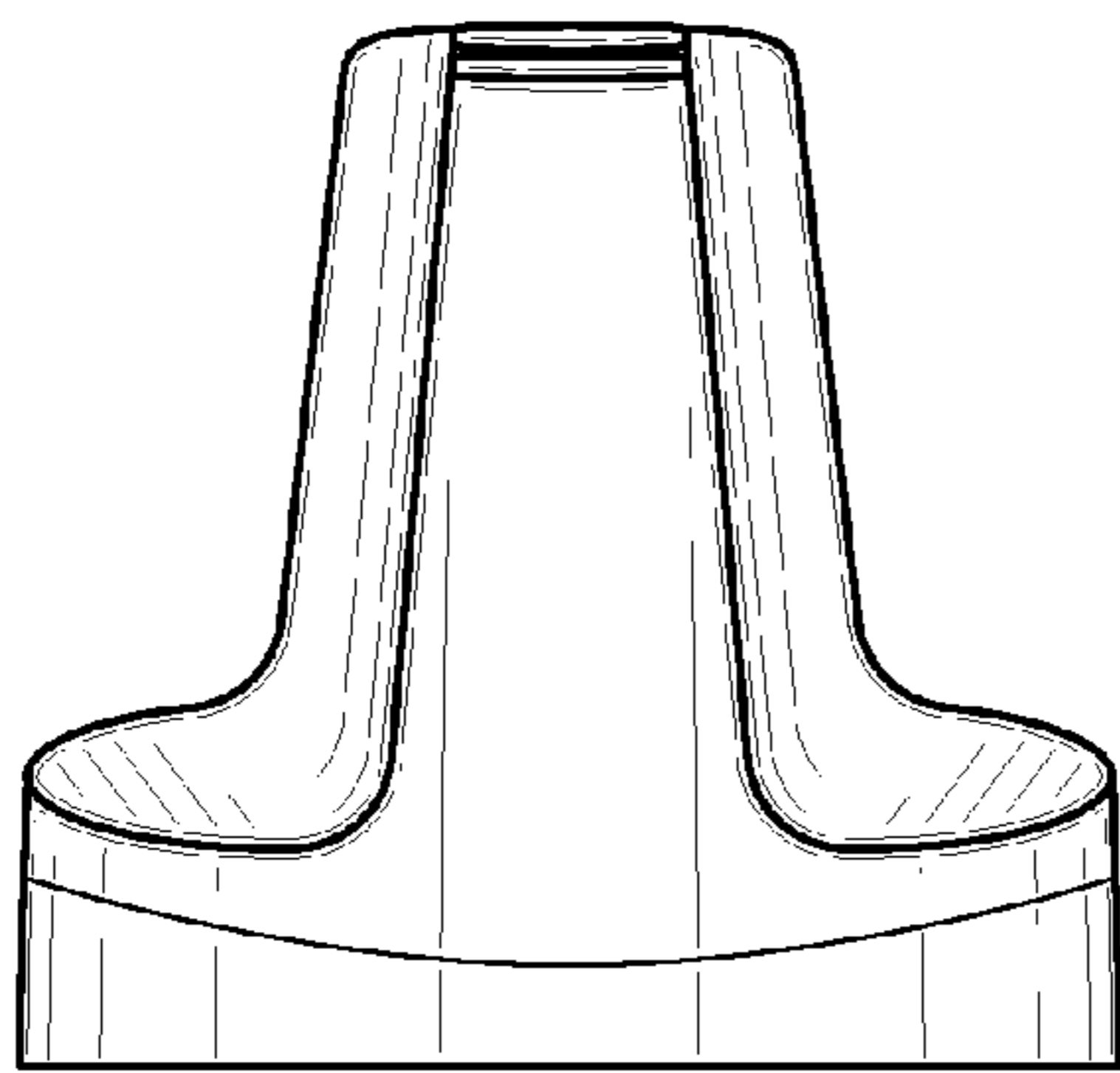


FIG. 4

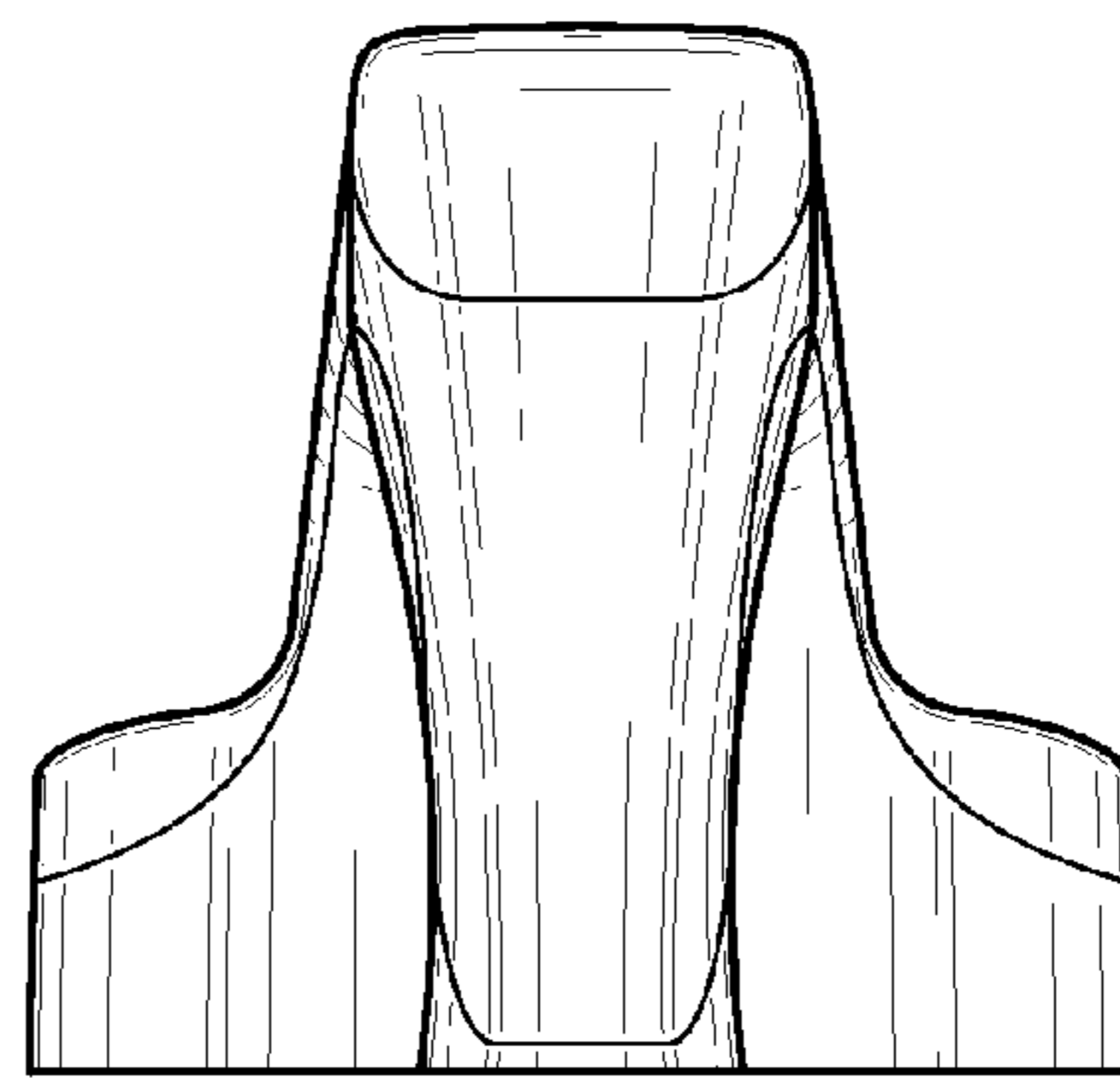


FIG. 5

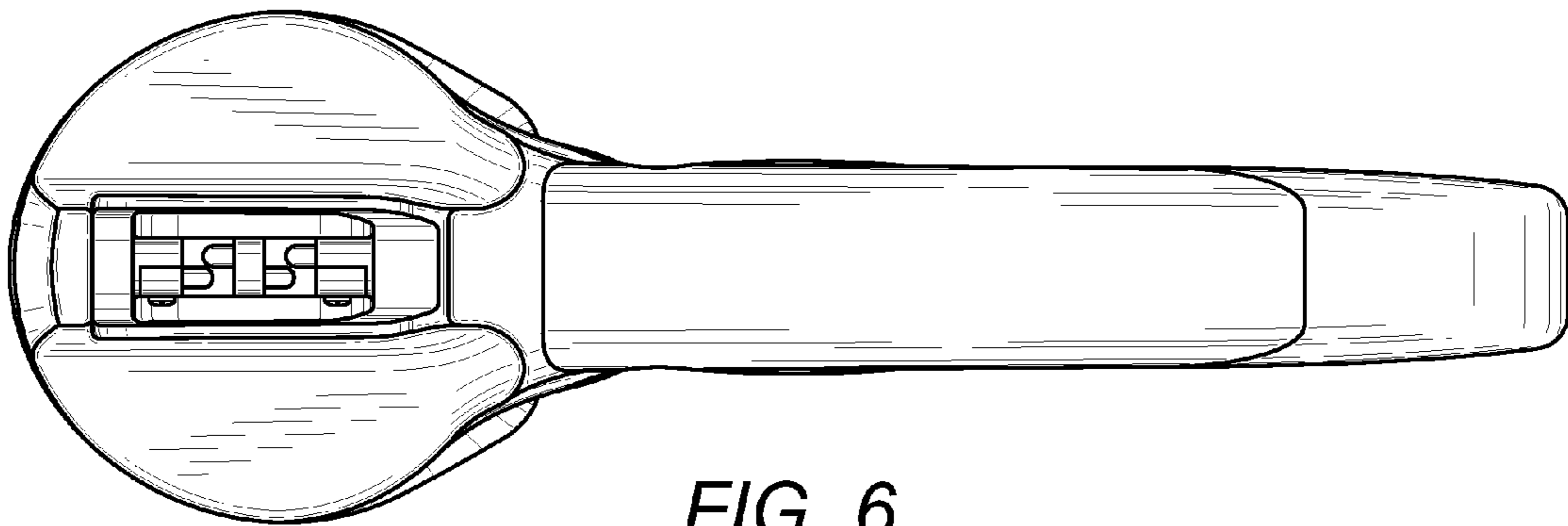


FIG. 6

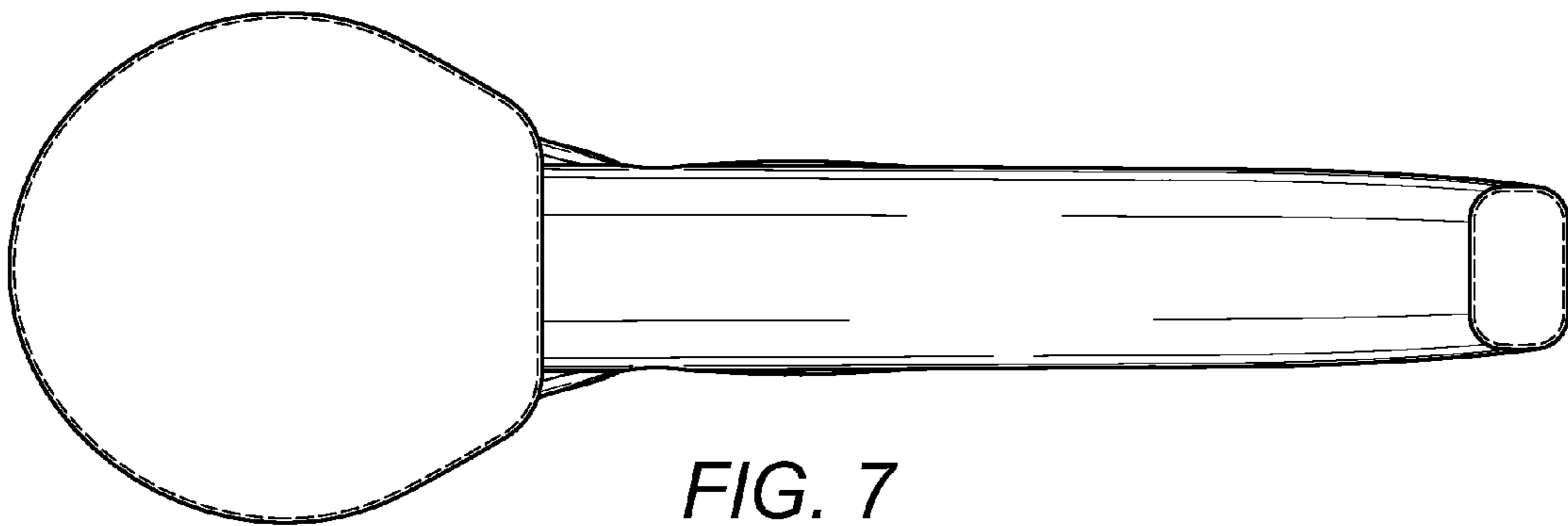


FIG. 7