



US00D736585S

(12) **United States Design Patent**
Furey

(10) **Patent No.:** **US D736,585 S**

(45) **Date of Patent:** **** Aug. 18, 2015**

(54) **STOP BLOCK CLAMP ATTACHMENT**

(71) Applicant: **Charles H Furey**, Toms River, NJ (US)

(72) Inventor: **Charles H Furey**, Toms River, NJ (US)

(**) Term: **14 Years**

(21) Appl. No.: **29/453,825**

(22) Filed: **May 3, 2013**

(51) **LOC (10) Cl.** **08-05**

(52) **U.S. Cl.**
USPC **D8/72**

(58) **Field of Classification Search**
USPC D8/71-74, 394-399, 354, 355, 356, 59;
248/62, 63, 72, 74.1, 689, 124.2;
81/487, 385, 386, 388-390; 269/3, 4,
269/6, 143, 165, 240, 243, 246-249, 254 R,
269/147-149; 29/256, 257, 276; D15/140;
D24/143; 408/103, 104-109; D7/683,
D7/685, 686; D6/684
CPC B25B 1/00; B25B 5/00
See application file for complete search history.

(56) **References Cited**

U.S. PATENT DOCUMENTS

3,157,078 A * 11/1964 Powers 82/158
D280,284 S * 8/1985 Bachmann D8/71
5,312,097 A * 5/1994 Womack 269/139

7,032,867 B2 * 4/2006 Johnson 248/74.1
7,708,235 B2 * 5/2010 Hawkins 248/74.2
7,922,130 B2 * 4/2011 Hawkins 248/74.2
8,181,916 B2 * 5/2012 Azuma et al. 248/68.1
D705,634 S * 5/2014 Furey D8/72
8,813,412 B2 * 8/2014 Rorick 42/124
2005/0077666 A1 * 4/2005 Chang 269/6
2012/0273628 A1 * 11/2012 Malin 248/74.1

* cited by examiner

Primary Examiner — David Muller

Assistant Examiner — Nathan Johnston

(74) *Attorney, Agent, or Firm* — Stuart M. Goldstein

(57) **CLAIM**

The ornamental design for a stop block clamp attachment, as shown and described.

DESCRIPTION

FIG. 1 is a top isometric view of the stop block clamp attachment of the present invention.

FIG. 2 is a top plan view thereof.

FIG. 3 is a bottom plan view thereof.

FIG. 4 is an elevation view thereof.

FIG. 5 is the opposite elevation view thereof.

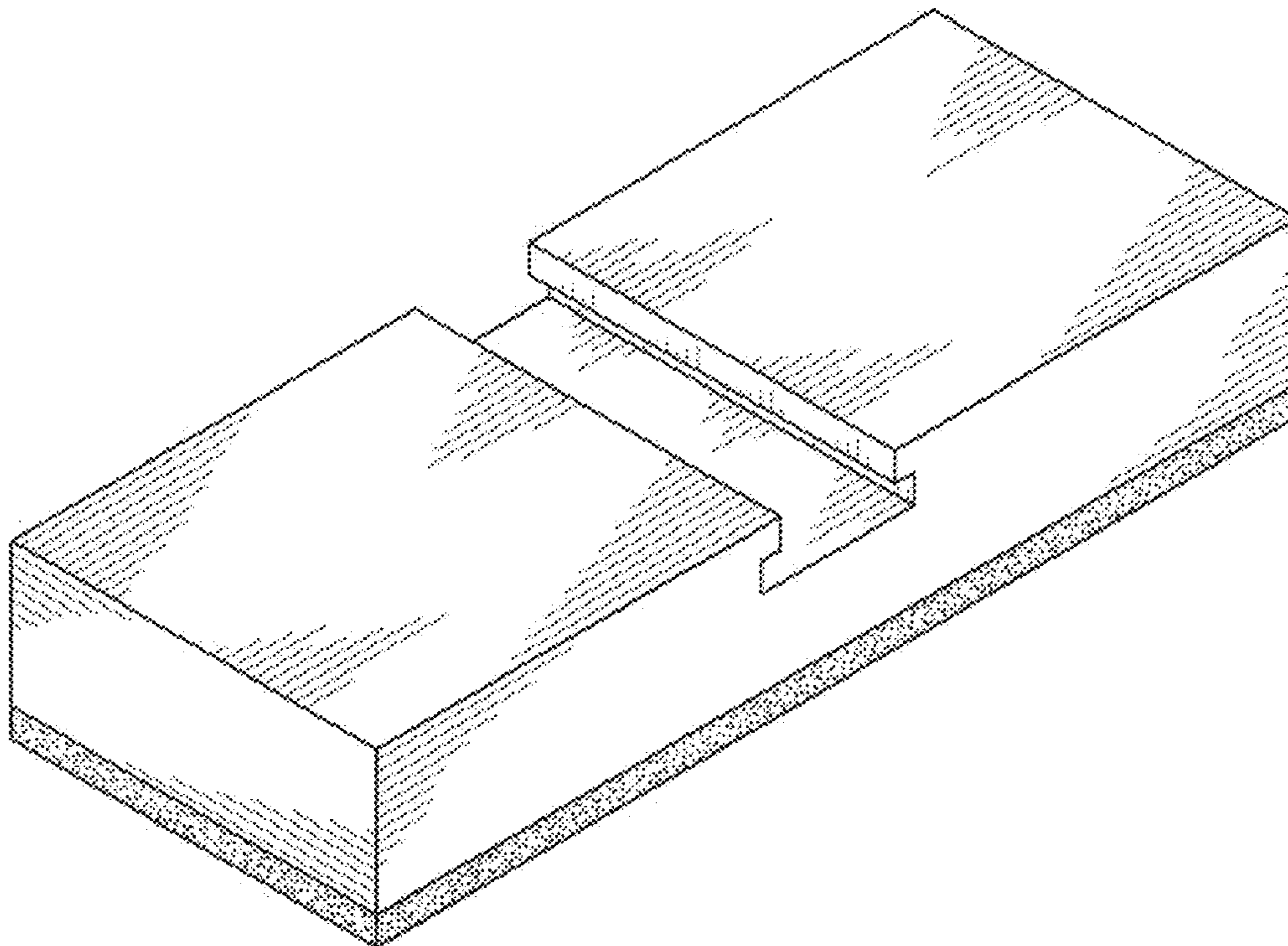
FIG. 6 is an end elevation view thereof.

FIG. 7 is the opposite end elevation view thereof; and,

FIG. 8 is an isometric view of the stop block clamp attachment of the present invention in use condition showing context.

The broken lines are shown for environmental purposes only and form no part of the claimed design.

1 Claim, 4 Drawing Sheets



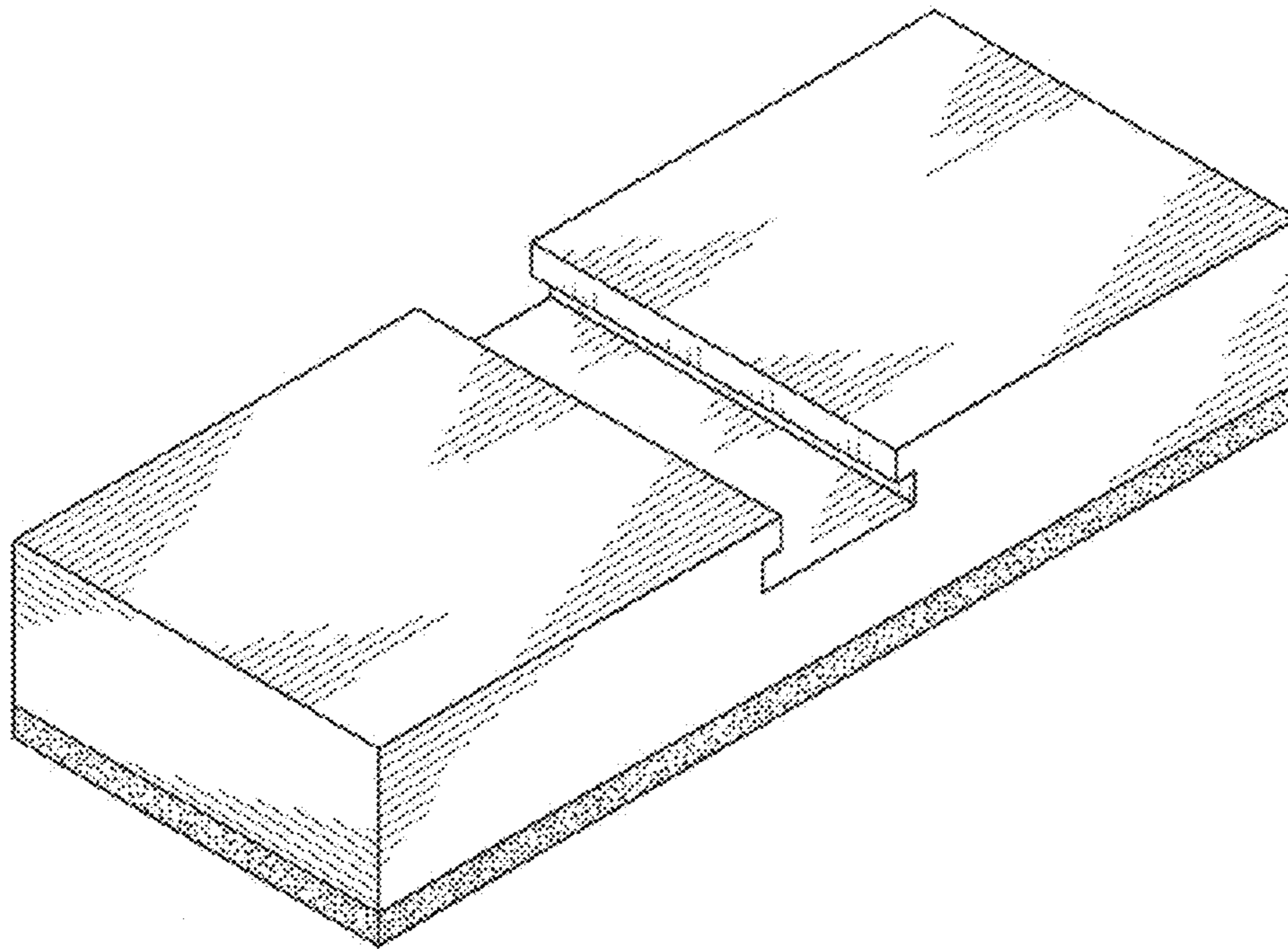


FIG. 1

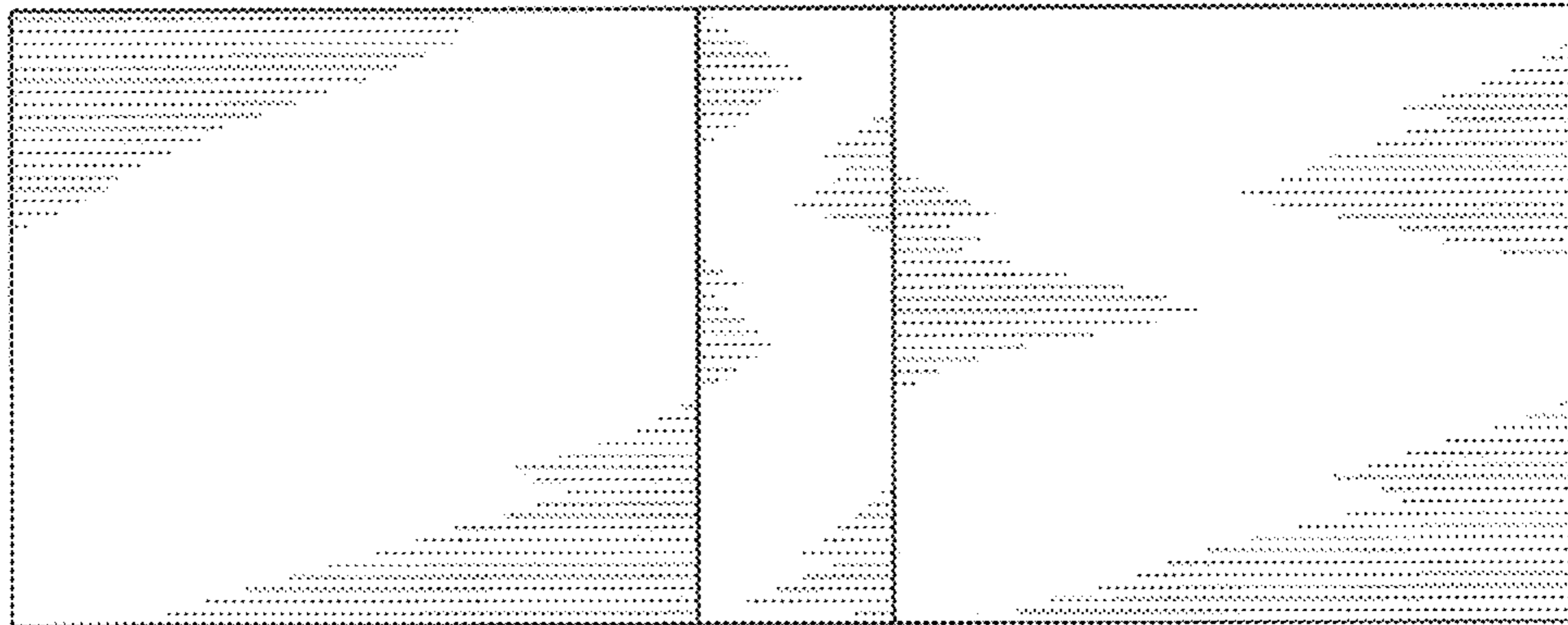


FIG. 2

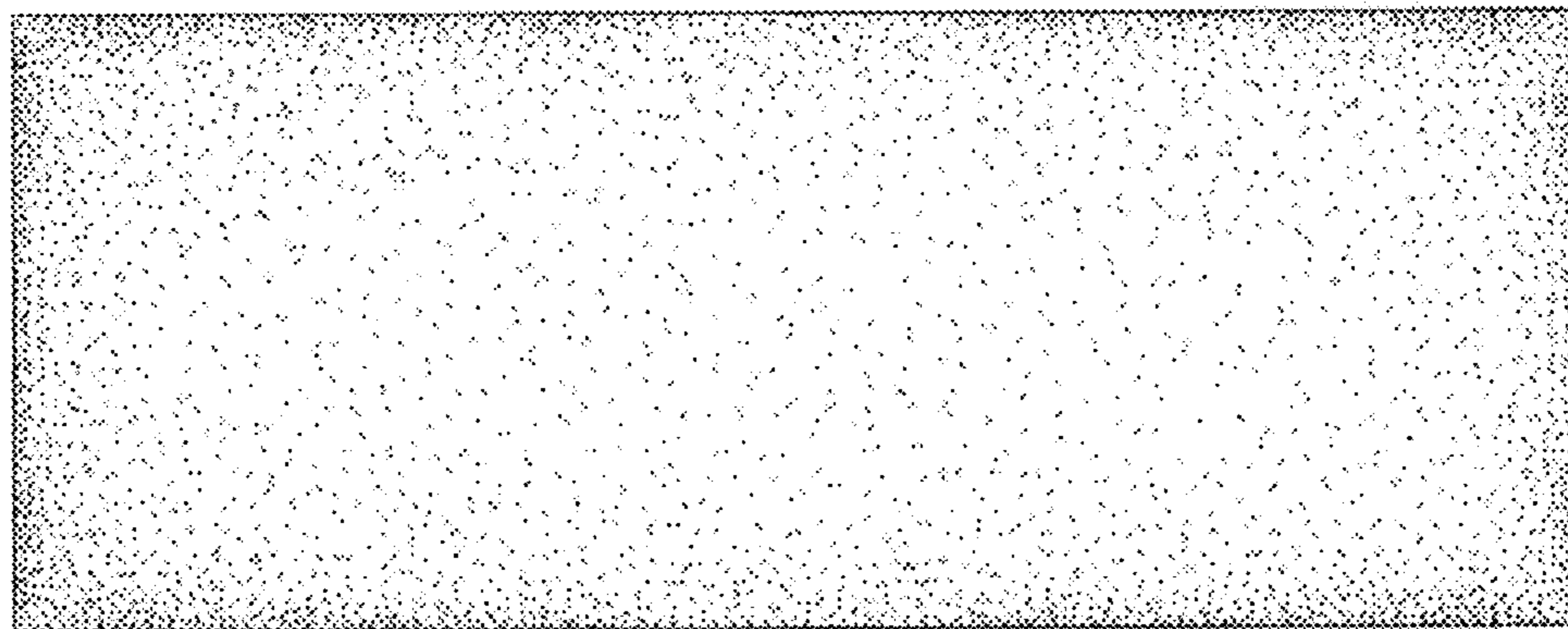


FIG. 3

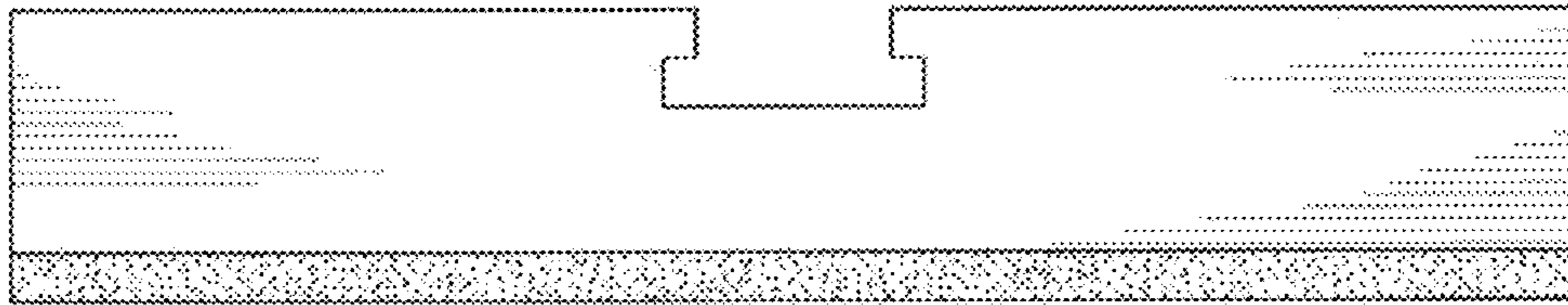


FIG. 4

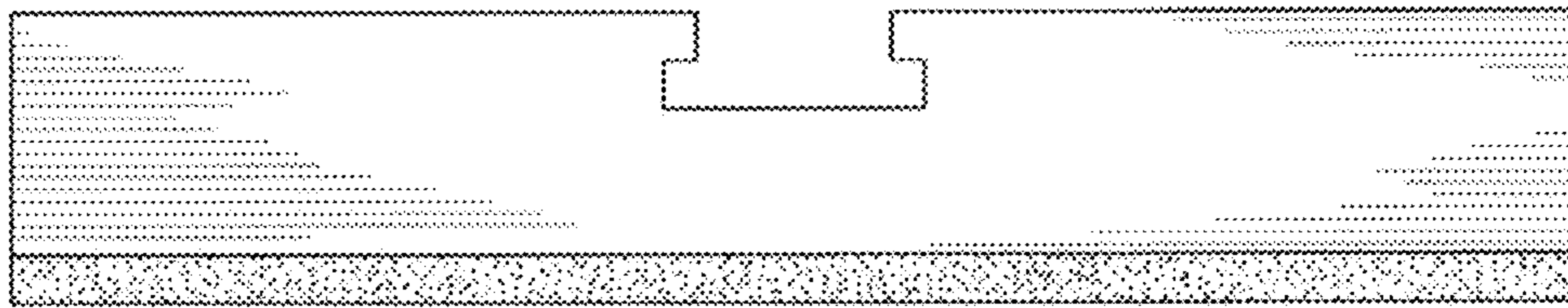


FIG. 5

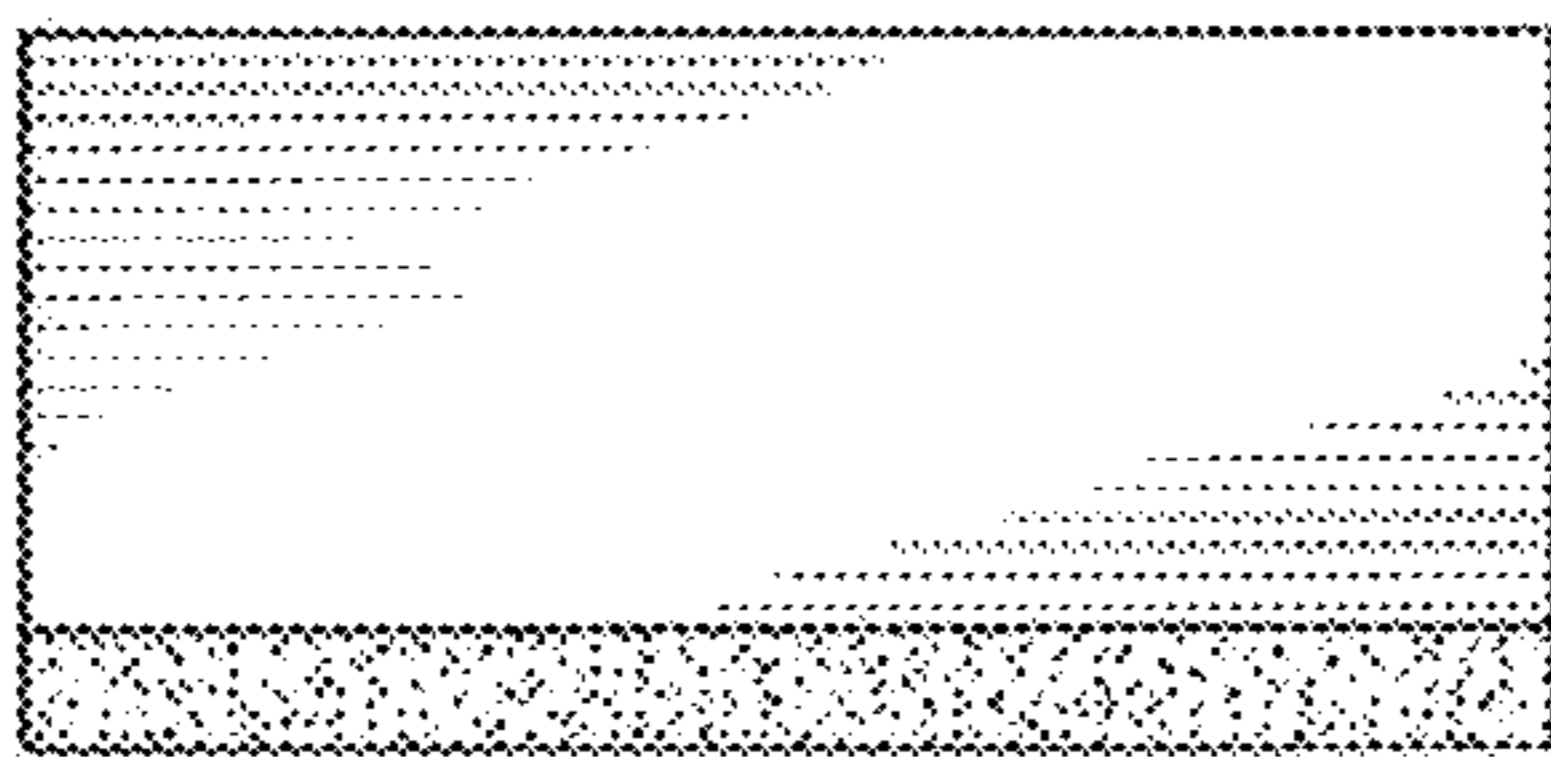


FIG. 6

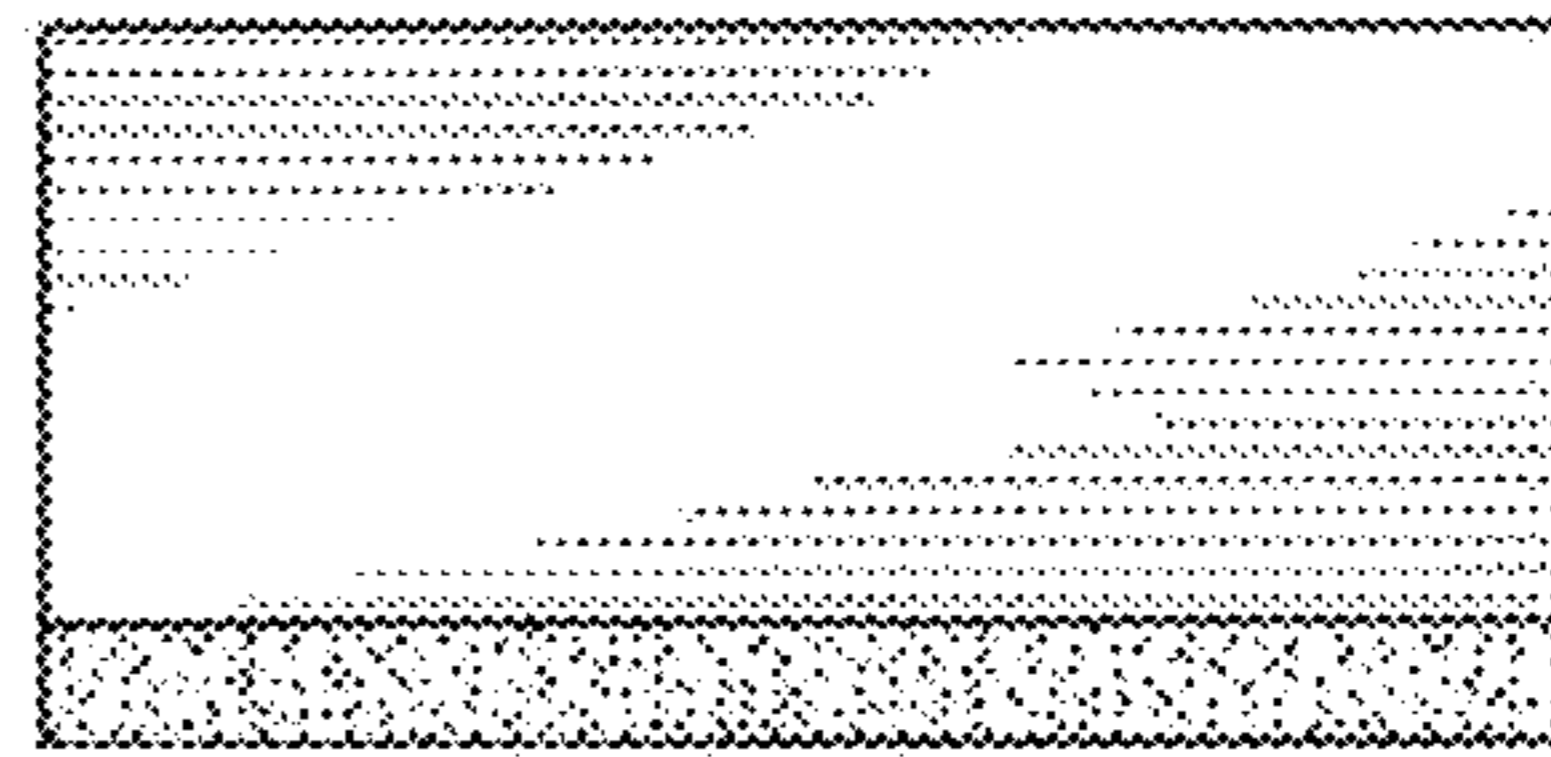


FIG. 7

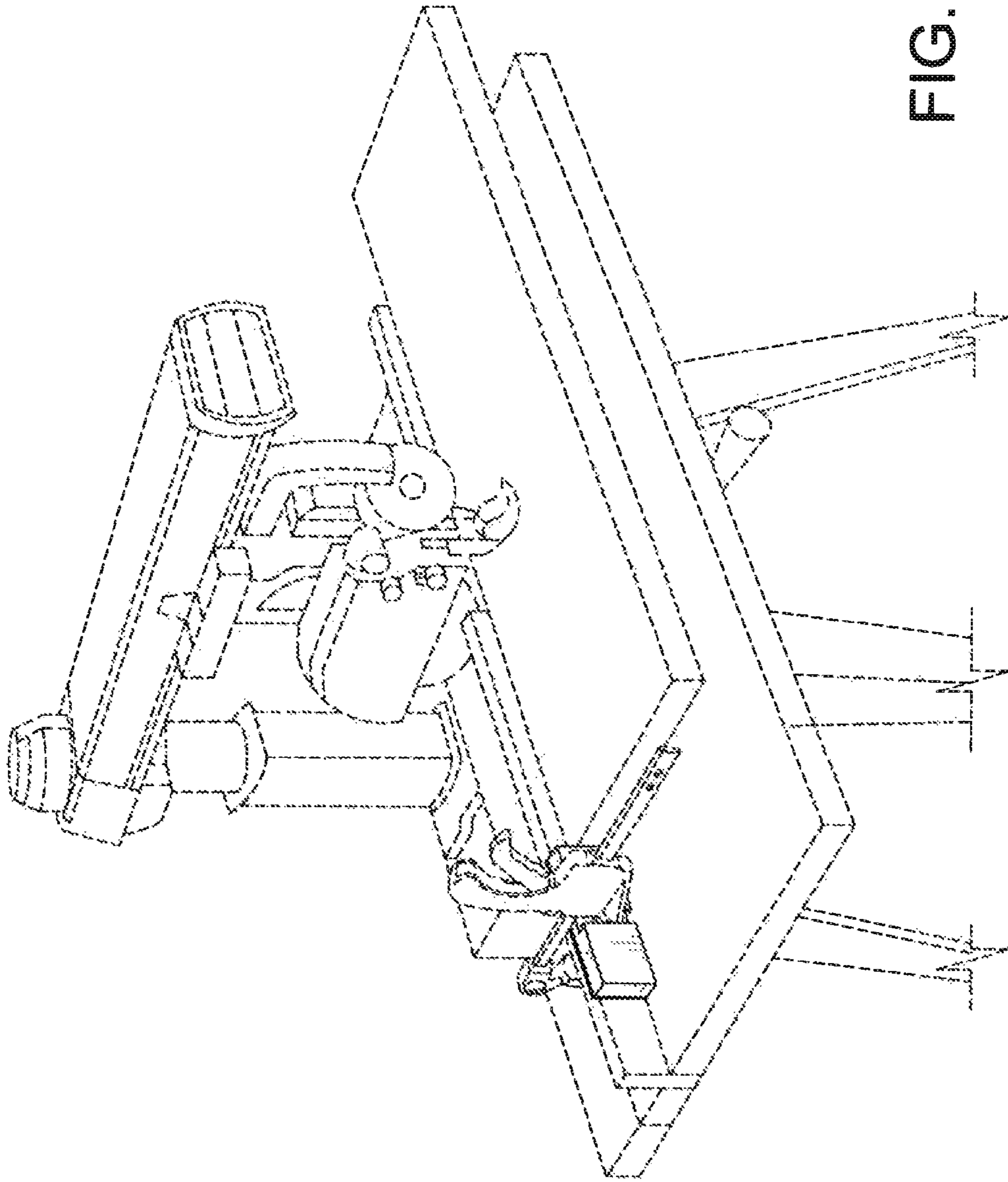


FIG. 8