



US00D736584S

(12) **United States Design Patent**
Larson

(10) **Patent No.:** **US D736,584 S**
(45) **Date of Patent:** **** Aug. 18, 2015**

(54) **DRILL GUIDE**

(71) Applicant: **David Aaron Larson**, Rolling Meadows, IL (US)

(72) Inventor: **David Aaron Larson**, Rolling Meadows, IL (US)

(73) Assignee: **Nomis LLC**, Palatine, IL (US)

(**) Term: **14 Years**

(21) Appl. No.: **29/489,039**

(22) Filed: **Apr. 25, 2014**

(51) **LOC (10) Cl.** **08-01**

(52) **U.S. Cl.**
USPC **D8/71**

(58) **Field of Classification Search**
USPC D8/70, 71
See application file for complete search history.

(56) **References Cited**

U.S. PATENT DOCUMENTS

2,997,900	A *	8/1961	Pugsley	408/95
3,838,935	A *	10/1974	Boyajian	408/75
3,874,810	A *	4/1975	Russell	408/14
4,349,301	A *	9/1982	Boyajian	408/112
4,391,558	A *	7/1983	Perry	408/110
4,572,715	A *	2/1986	Wolff	409/180
D291,528	S *	8/1987	Degen	D8/71
D474,093	S *	5/2003	Chang	D8/71
2005/0072490	A1 *	4/2005	Baber	144/136.95

OTHER PUBLICATIONS

Wolfcraft; Wolfcraft 4525404 Drill Guide Attachment for 1/4-inch or 3/8-inch Drills, pages printed from the internet; date last visited Aug. 1, 2014; 3 pages; "http://www.sears.com/wolfcraft-4525404 . . ."
Precision Drill Guide; Amazon.com: Precision Drill Guide: Automotive; pages printed from the internet; date last visited Aug. 1, 2014; 4 pages; "http://www.amazon.com/WoodRiver-Precision . . ."
Wolfcraft; wolfcraft: 1 tecmobil 200—mobile drilling aid; pages printed from the internet; date last visited Aug. 1, 2014; 1 page; "http://www.wolfcraft.com/en/products . . ."

General; General Tools and Instruments; pages printed from the internet; date last visited Aug. 1, 2014; 2 pages; "http://www.generaltools.com . . ."

Wolfcraft; 1 tecmobil—mobile drill stand; pages printed from the internet; date last visited Aug. 1, 2014; 2 pages; "http://www.wolfcraft.com/en/products . . ."

Portalign Drill Guide; Portalign Drill Guide • www.cab1.net.com; pages printed from the internet; date last visited Aug. 1, 2014; 14 pages; "http://www.cab1.net.com/forum/ . . ."

Drill Master; Angle Drill Guide from 45° to 90° with 5° increments angle settings page printed from the internet; date last visited Sep. 8, 2014; 1 page; "http://www.amazon.com/ANGLE-DRILL-GUIDE- . . ."

General; Builder's Tools/ Woodworking Precision Drill Guide; page from a catalog; known on or before Aug. 1, 2014; 1 page.

* cited by examiner

Primary Examiner — Antoine D Davis

(74) *Attorney, Agent, or Firm* — Reinhart Boerner Van Deuren P.C.

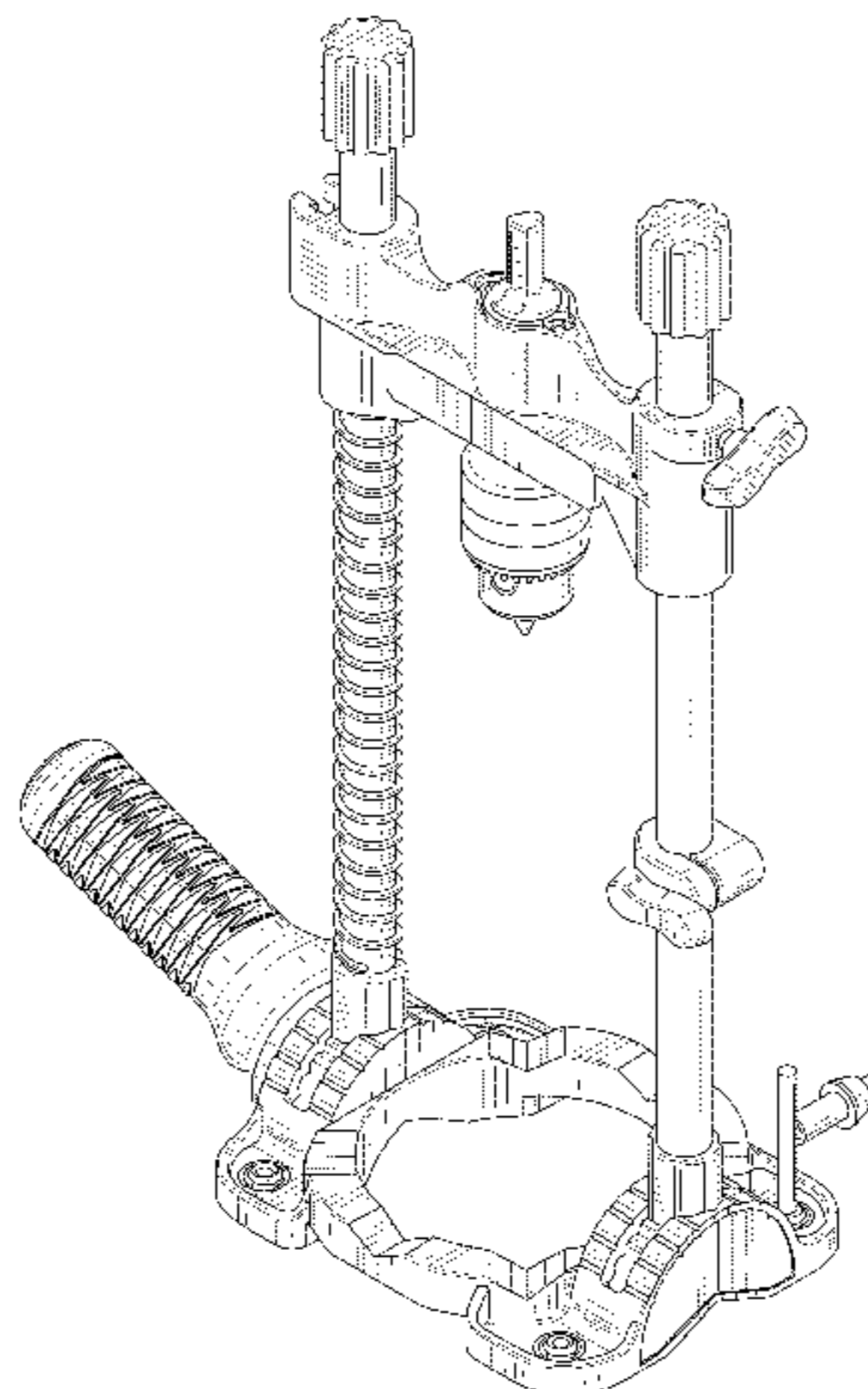
(57) **CLAIM**

The ornamental design for a drill guide, as shown and described.

DESCRIPTION

FIG. 1 is a perspective view of the drill guide;
FIG. 2 is a front view of the embodiment of FIG. 1;
FIG. 3 is a rear view of the embodiment of FIG. 1;
FIG. 4 is a side view of the embodiment of FIG. 1;
FIG. 5 is a side view of the embodiment of FIG. 1 showing the side opposite that shown in FIG. 4;
FIG. 6 is a top view of the embodiment of FIG. 1;
FIG. 7 is a bottom view of the embodiment of FIG. 1; and,
FIG. 8 is a perspective view of the embodiment of FIG. 1 having the handle in an alternative position.
The ornamental design which is claimed is shown in solid lines in the drawings. The broken lines shown in the drawings are for illustrative purposes only and form no part of the claimed design.

1 Claim, 8 Drawing Sheets



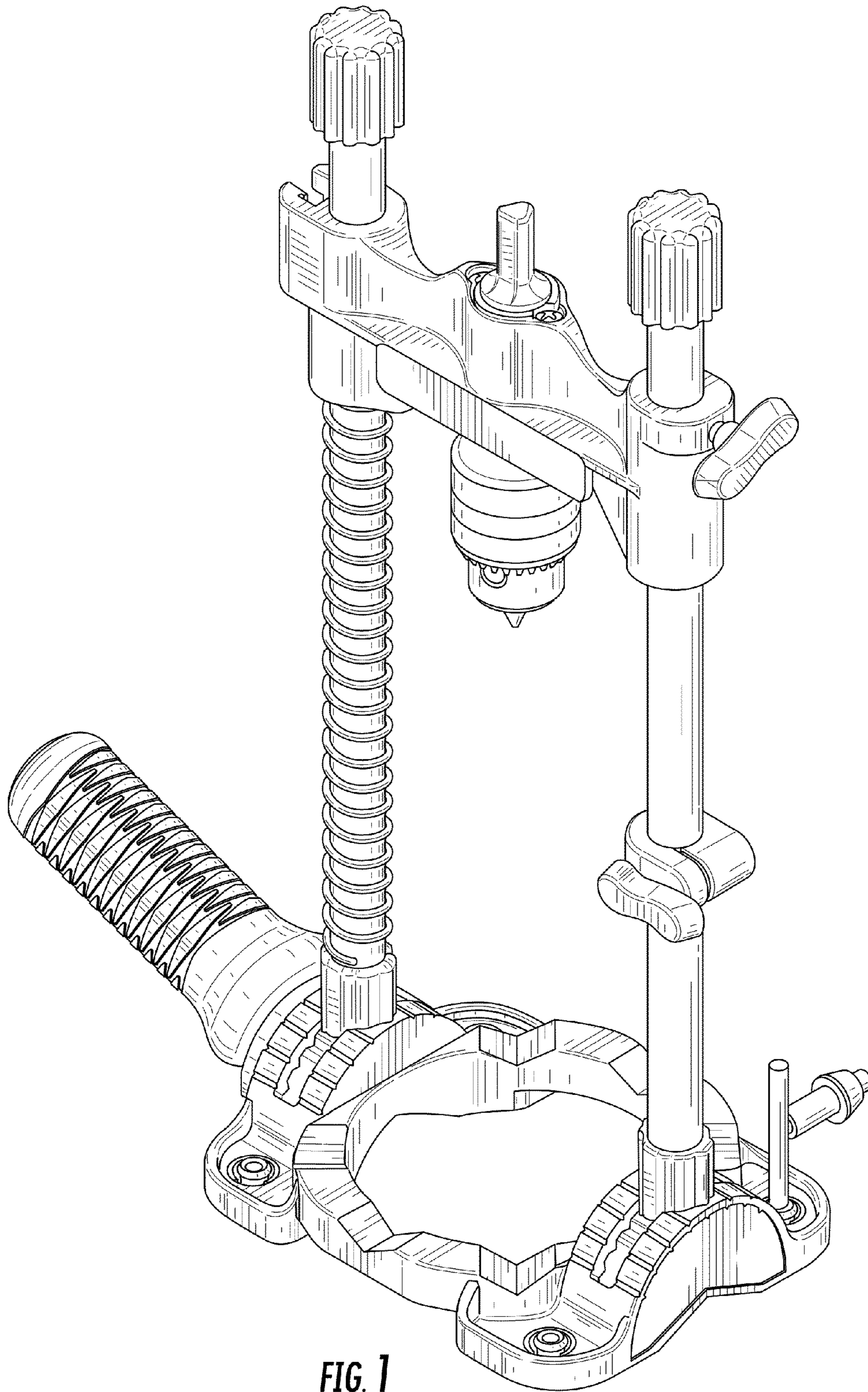


FIG. 1

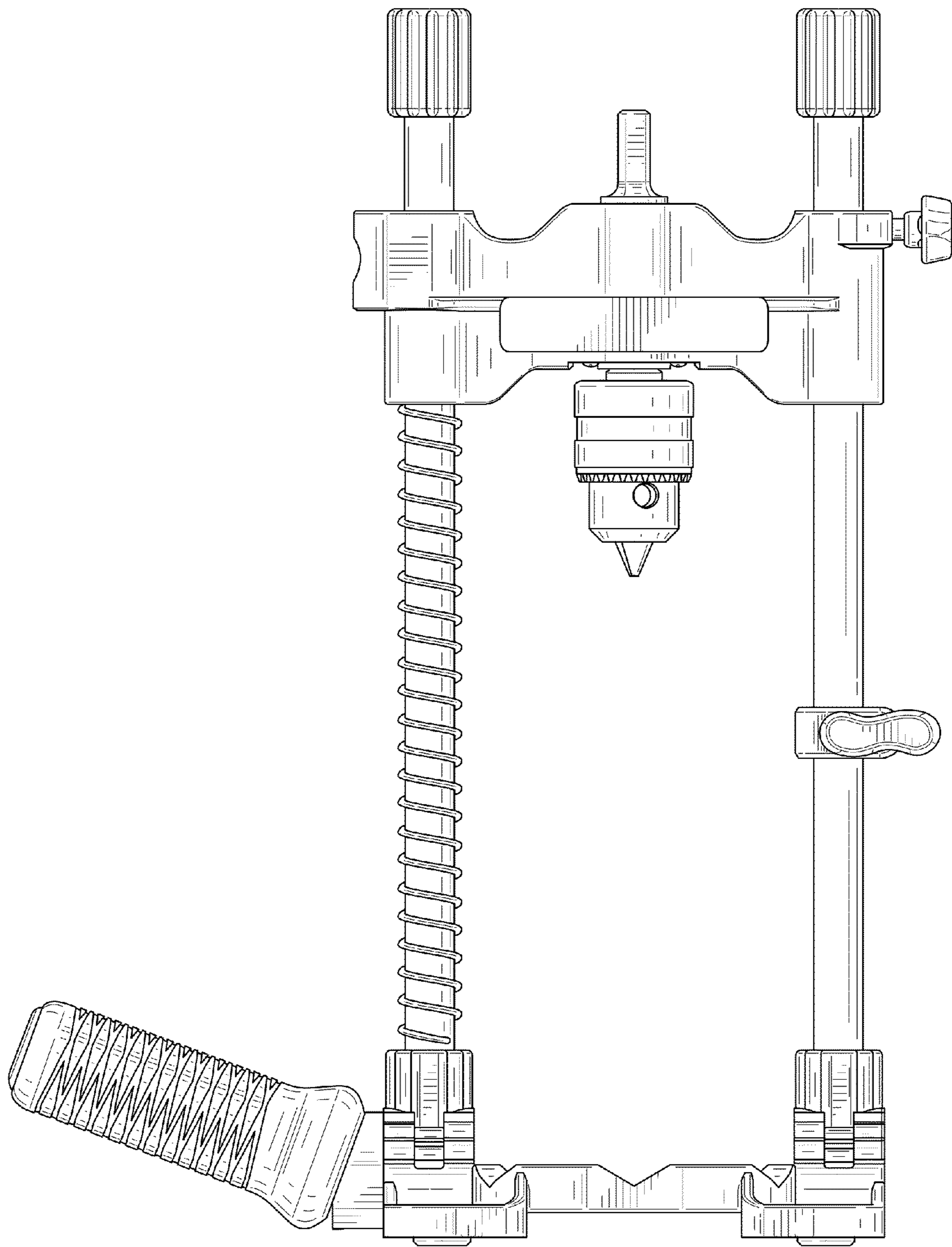


FIG. 2

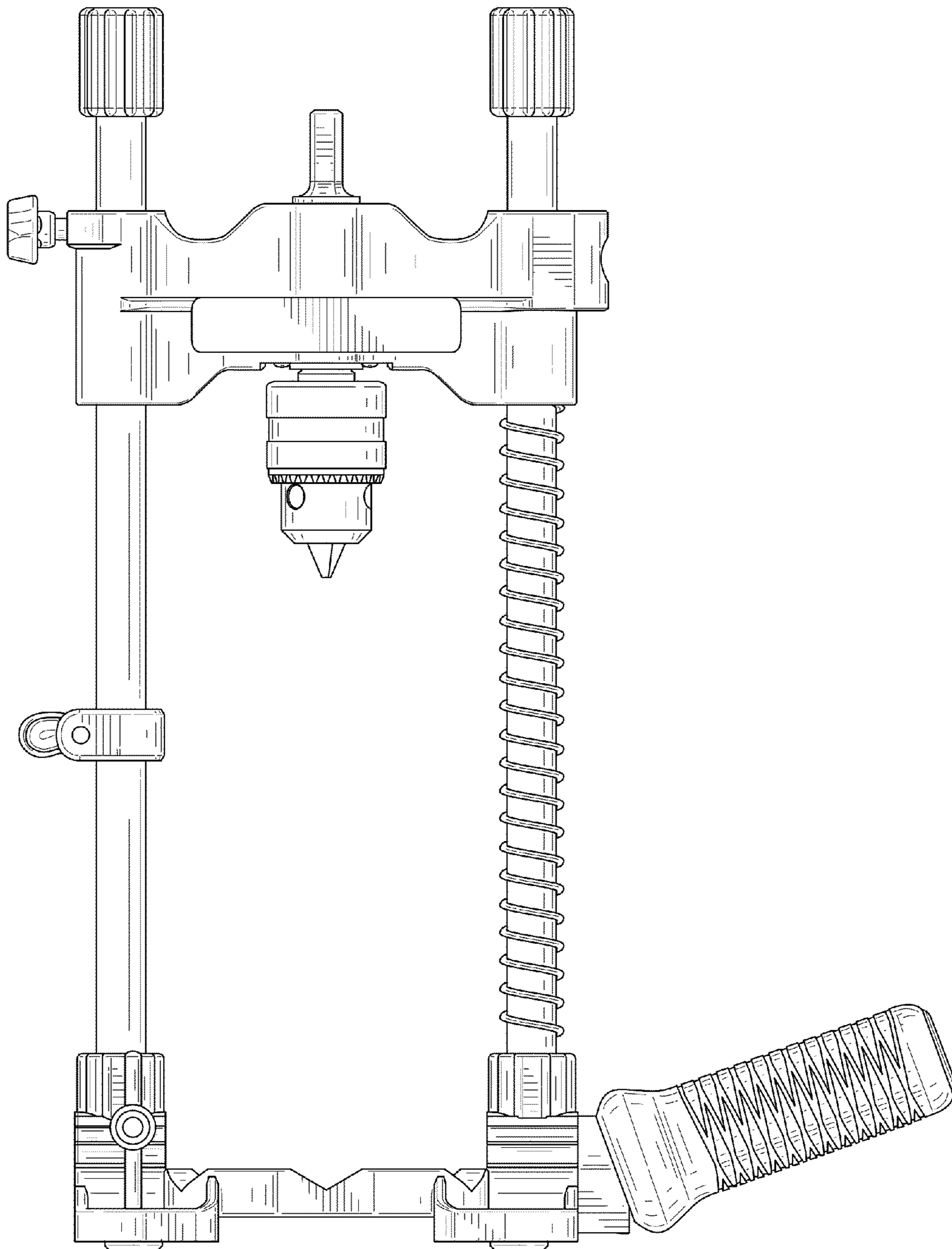


FIG. 3

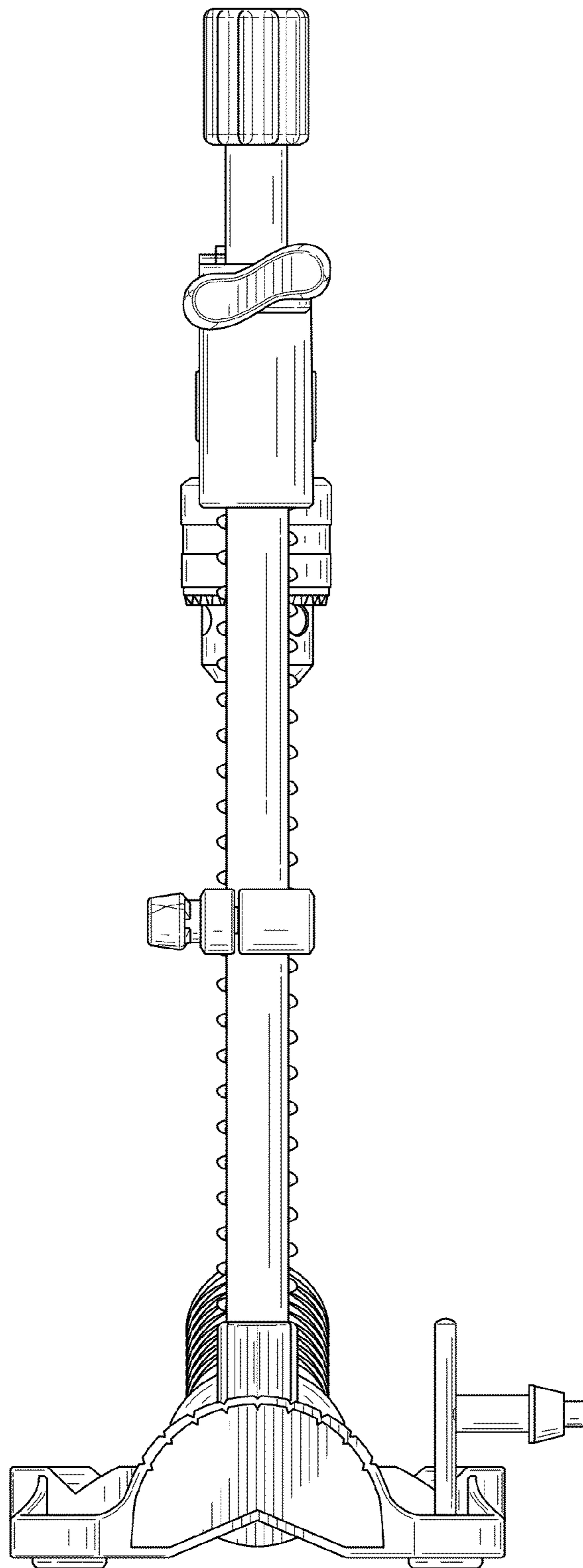


FIG. 4

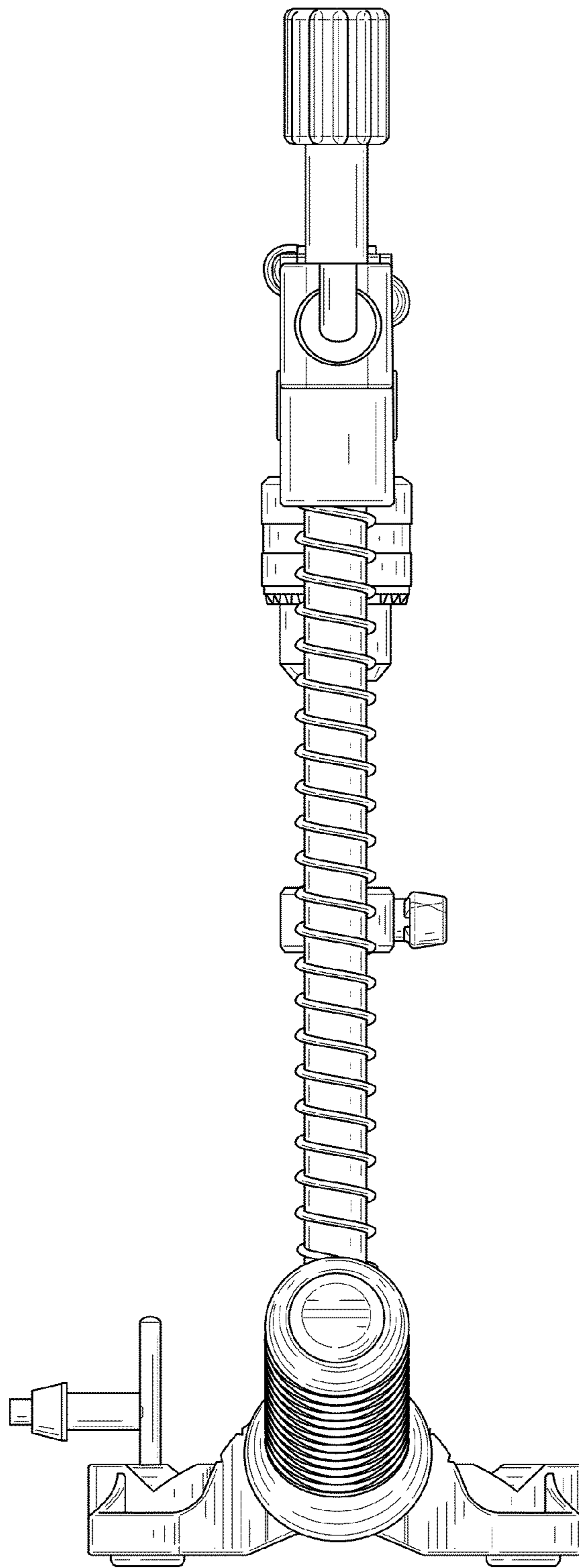


FIG. 5

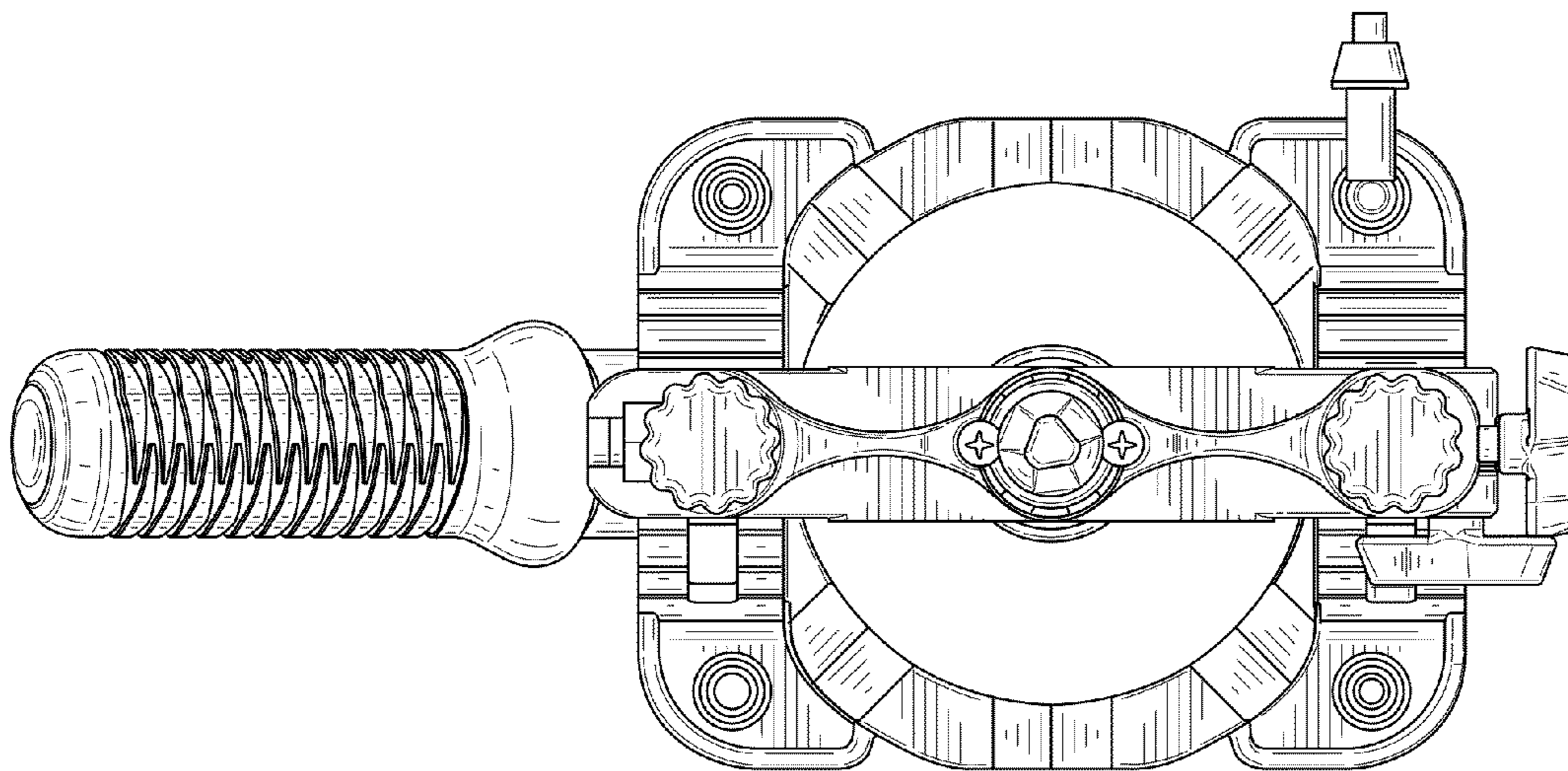


FIG. 6

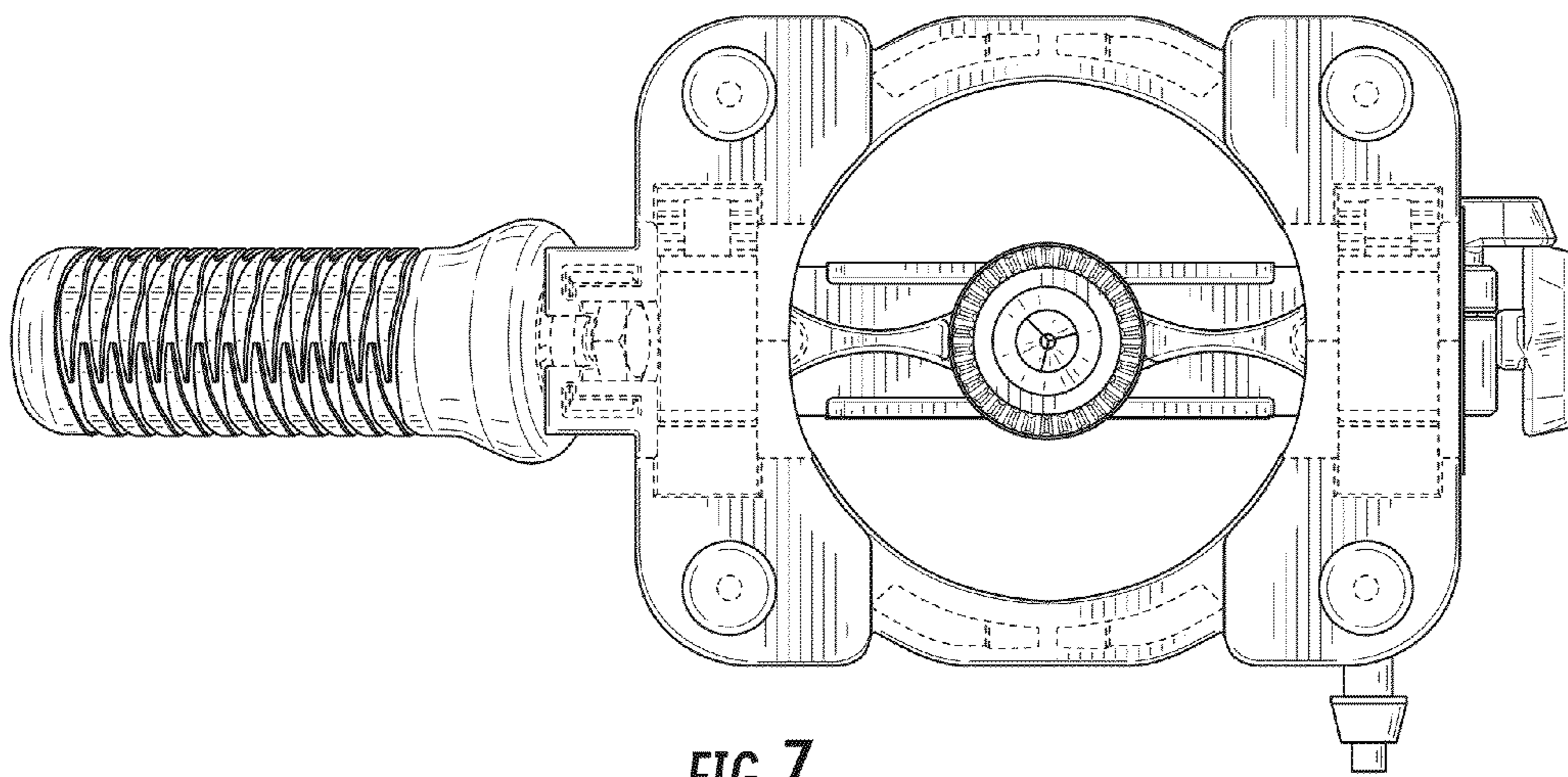


FIG. 7

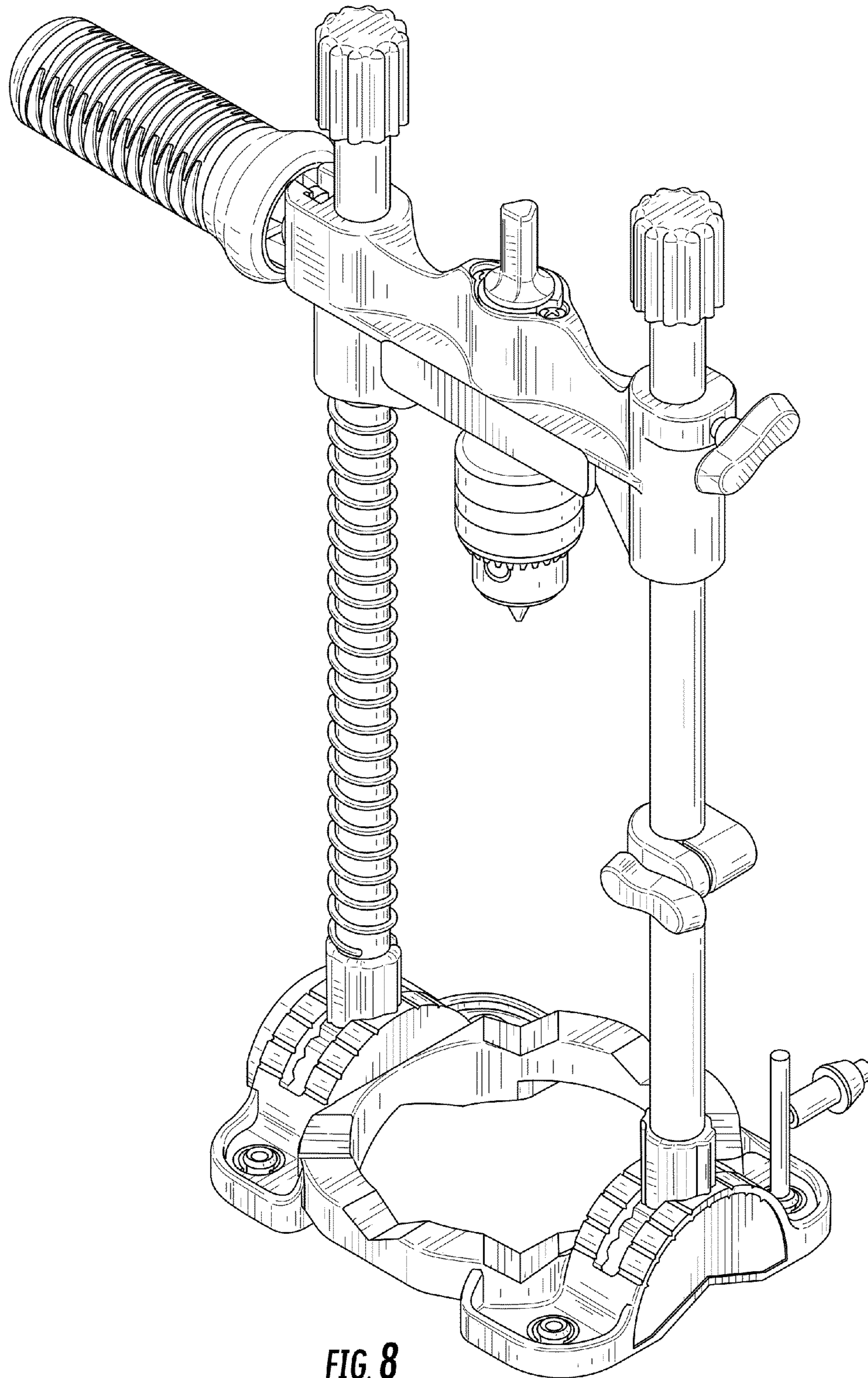


FIG. 8