



US00D736583S

(12) **United States Design Patent**
Rodriquez

(10) **Patent No.:** **US D736,583 S**

(45) **Date of Patent:** **** Aug. 18, 2015**

(54) **GATE JIG**

(71) Applicant: **Gregory Rodriquez**, Gilbert, AZ (US)

(72) Inventor: **Gregory Rodriquez**, Gilbert, AZ (US)

(**) Term: **14 Years**

(21) Appl. No.: **29/479,402**

(22) Filed: **Jan. 15, 2014**

(51) **LOC (10) Cl.** **08-05**

(52) **U.S. Cl.**

USPC **D8/71**; D25/48.5

(58) **Field of Classification Search**

USPC D15/140; D10/65, 71, 64; D25/199,
D25/48.5, 68, 133, 67; 269/43, 904, 36, 37,
269/905; D8/354, 72, 71

CPC B25B 5/003; B25B 5/006; B25B 5/068;
B25B 5/102; B23Q 3/005; B23Q 16/08;
B23Q 1/28; B27B 27/02; B23D 47/04;
B27C 5/04; Y10T 409/308624

See application file for complete search history.

(56) **References Cited**

U.S. PATENT DOCUMENTS

851,112	A *	4/1907	Metroyanis	269/9
1,478,032	A *	12/1923	Hine	211/68
2,342,179	A *	2/1944	Ciesa et al.	269/43
D270,571	S *	9/1983	Havener	D25/68
D365,114	S *	12/1995	Walker	D15/140
6,530,180	B2 *	3/2003	Edmondson et al.	52/105
D481,605	S *	11/2003	West	D8/72
7,299,935	B2 *	11/2007	Skaley	211/70.4

8,312,687	B2 *	11/2012	Yee	52/687
D677,183	S *	3/2013	Varga	D10/71
D709,750	S *	7/2014	Kats et al.	D8/72
2007/0007702	A1 *	1/2007	Brandl	269/37
2009/0146354	A1 *	6/2009	Metroyanis	269/43

OTHER PUBLICATIONS

NPL Internet search URL><https://www.youtube.com/watch?v=lfU39Gu7lc>[date searched Apr. 23, 2015].*

* cited by examiner

Primary Examiner — Philip S Hyder

Assistant Examiner — Keith Frank

(74) *Attorney, Agent, or Firm* — Schmeiser, Olsen & Watts LLP

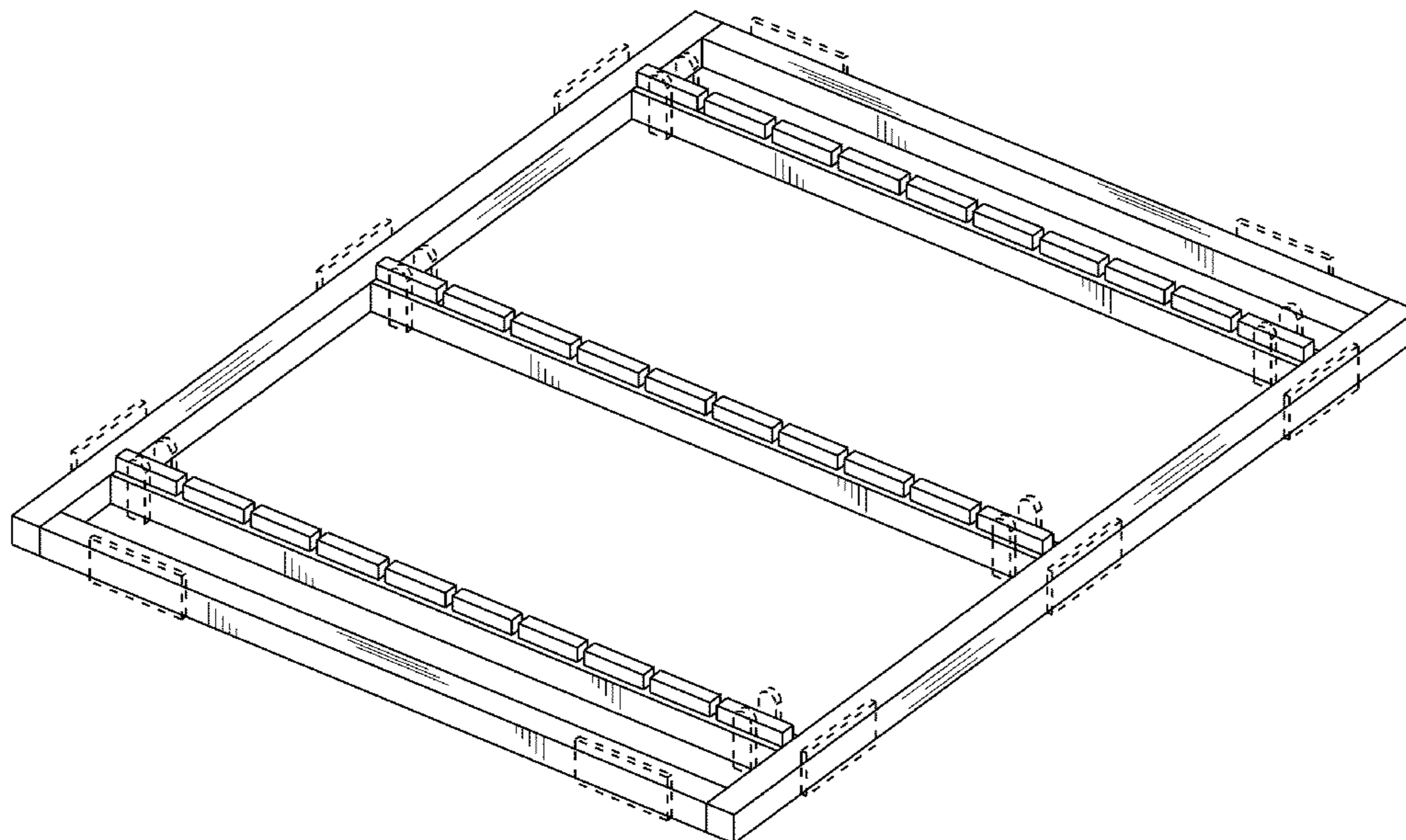
(57) **CLAIM**

The ornamental design for the gate jig, as shown.

DESCRIPTION

FIG. 1 is a top perspective view of the gate jig;
FIG. 2 is a top view of the gate jig;
FIG. 3 is a bottom view of the gate jig;
FIG. 4 is a front view of the gate jig;
FIG. 5 is a rear view of the gate jig;
FIG. 6 is a right side view of the gate jig;
FIG. 7 is a left side view of the gate jig; and,
FIG. 8 is a bottom perspective view of the gate jig.
The broken lines are for the purpose of illustrating brackets of the gate jig and form no part of the claimed design.

1 Claim, 6 Drawing Sheets



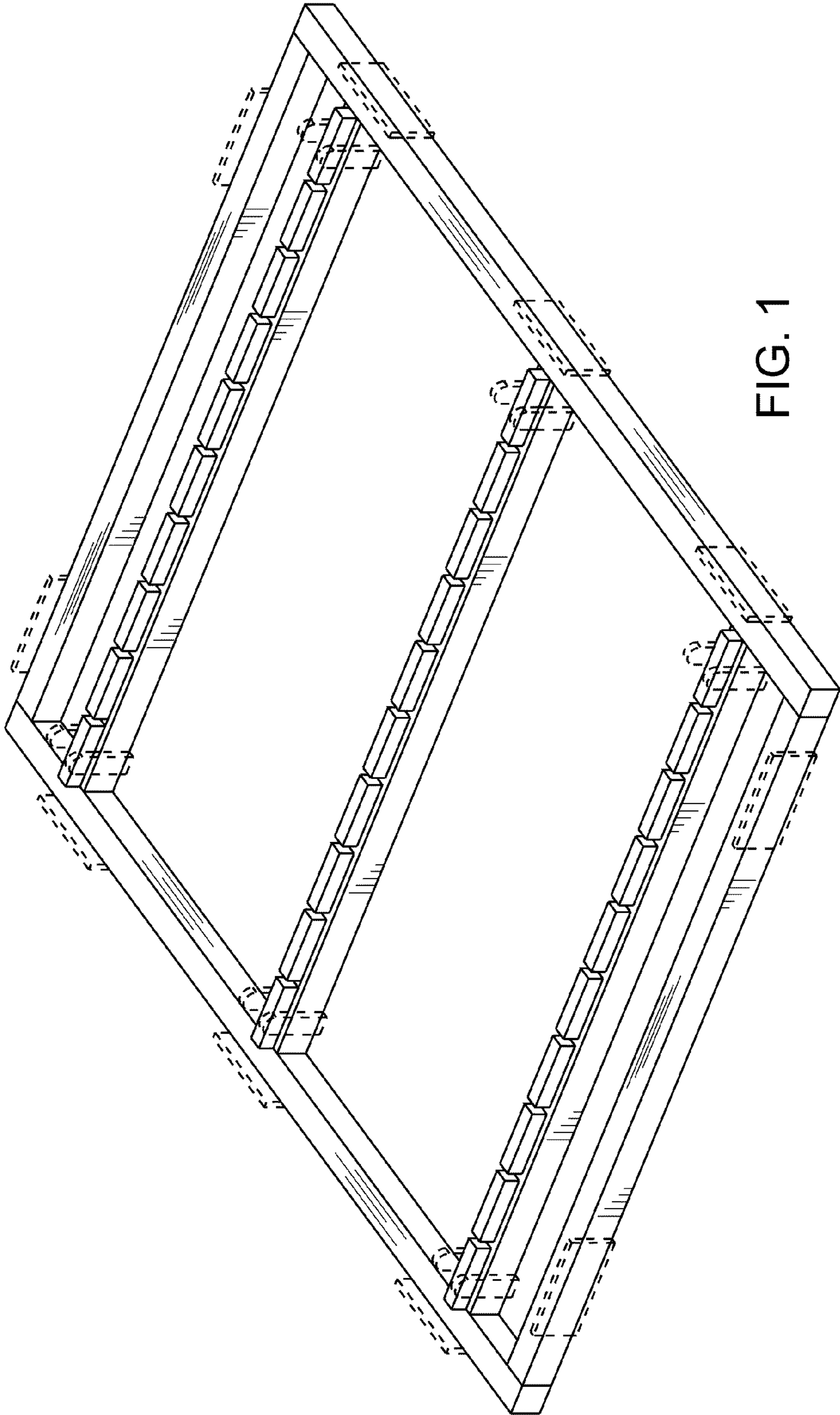


FIG. 1

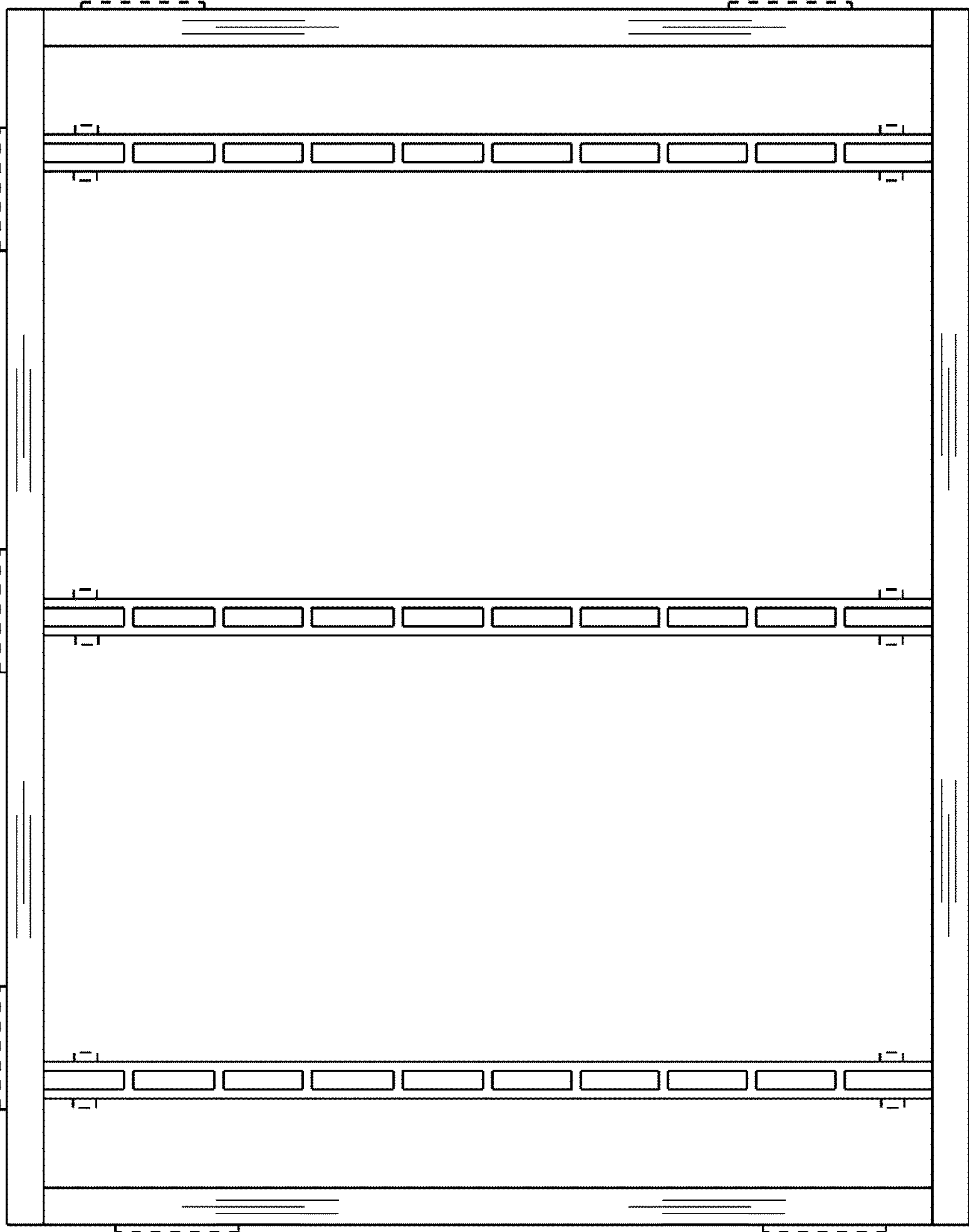


FIG. 2

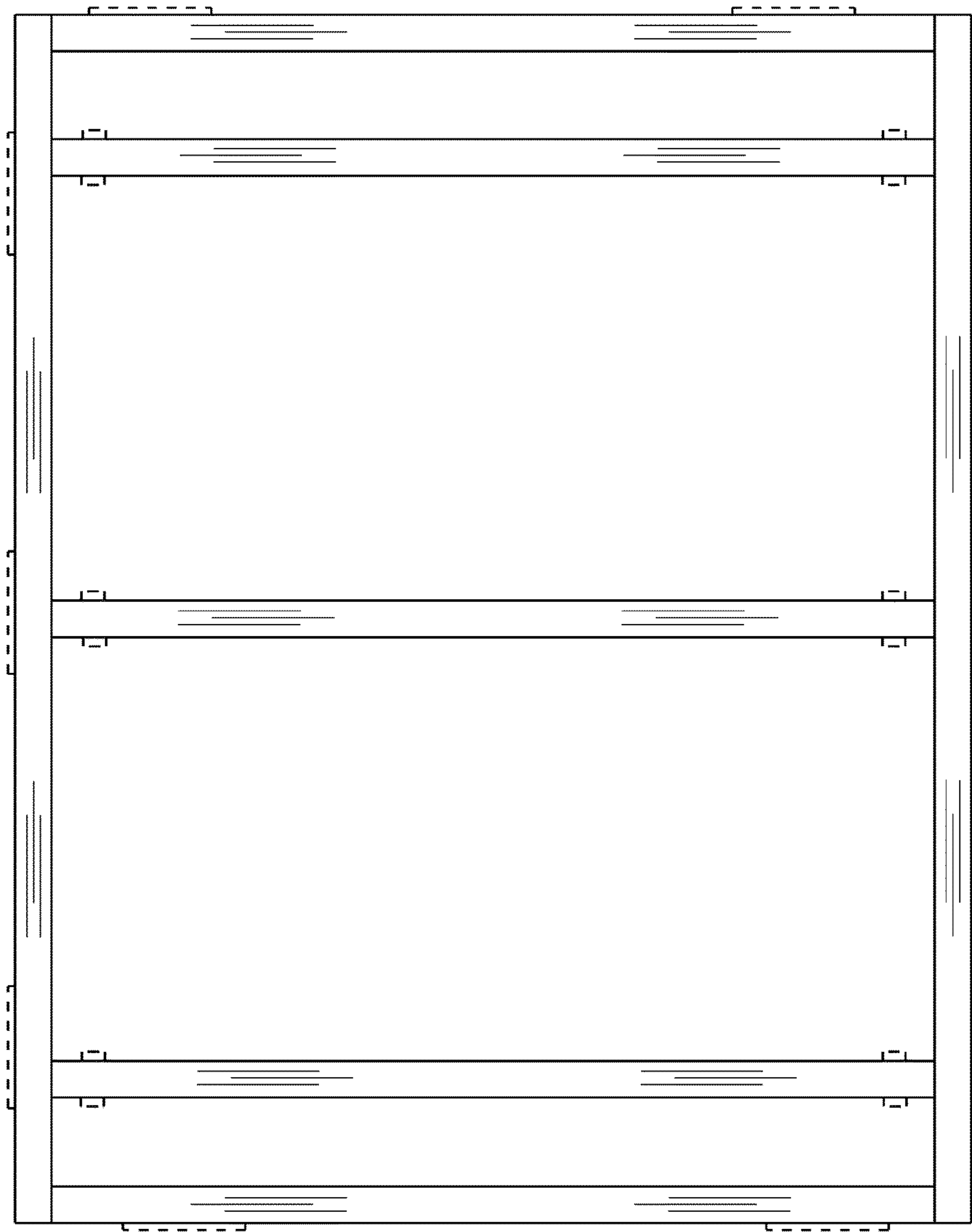


FIG. 3

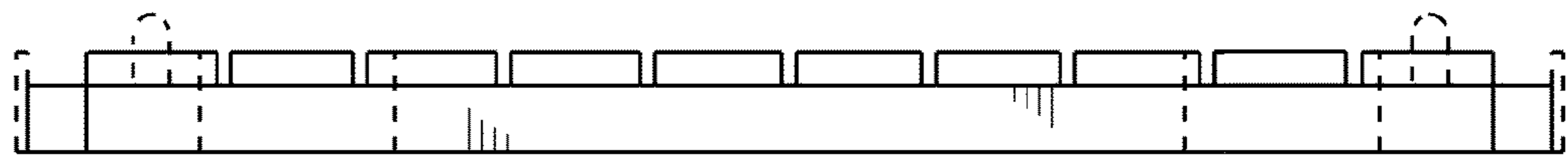


FIG. 4

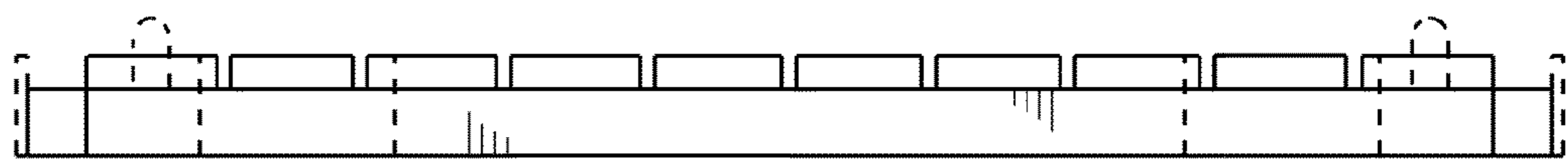


FIG. 5

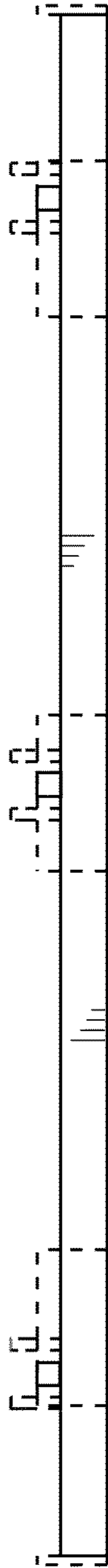


FIG. 6

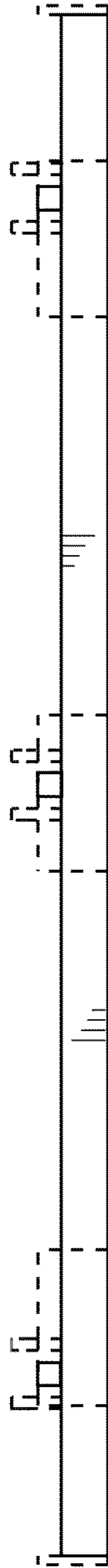


FIG. 7

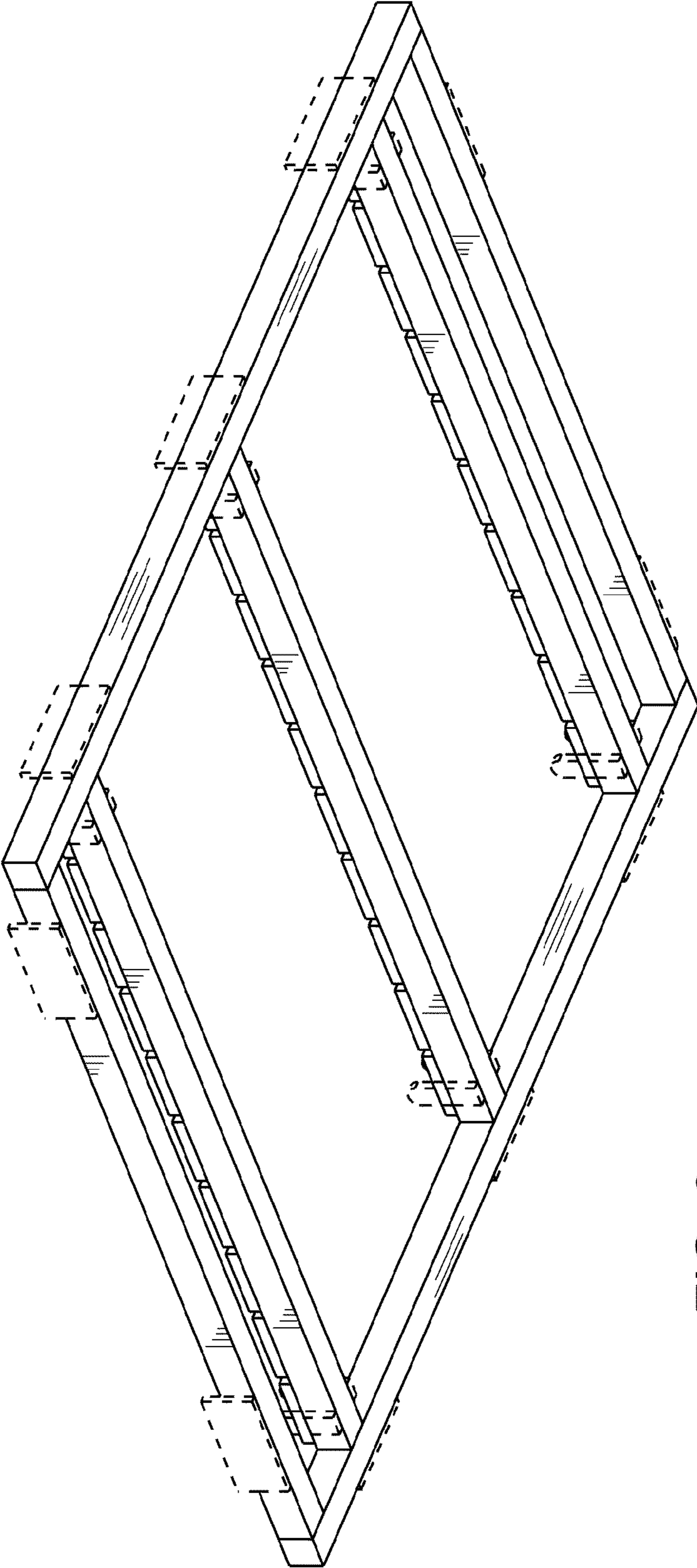


FIG. 8